



US00D796133S

(12) **United States Design Patent** (10) **Patent No.:** **US D796,133 S**
Larouche (45) **Date of Patent:** **** Aug. 29, 2017**

(54) **SWIMMING POOL TELESCOPING POLE**

(71) Applicant: **CPA POOL PRODUCTS, INC.**,
Blainville (CA)

(72) Inventor: **Annie Larouche**, Mascouche (CA)

(73) Assignee: **CPA POOL PRODUCTS, INC.**,
Blainville (CA)

(**) Term: **15 Years**

(21) Appl. No.: **29/561,604**

(22) Filed: **Apr. 18, 2016**

(51) **LOC (10) Cl.** **15-05**

(52) **U.S. Cl.**
USPC **D32/31; D32/25**

(58) **Field of Classification Search**
USPC D8/396; D32/31-33
CPC F16M 13/02; A24F 19/092; F16L 27/12;
A47L 9/242; A47L 9/02; A47L 5/362;
A47L 5/28; A47L 5/34; A47L 5/30; A47G
25/66; E04H 4/1654

See application file for complete search history.

(56) **References Cited**

U.S. PATENT DOCUMENTS

D267,906 S *	2/1983	Parise	D32/31
D354,554 S *	1/1995	Newman, Sr.	D23/266
5,417,503 A *	5/1995	Brennan, III	E04H 4/1609
			401/92
D379,401 S *	5/1997	Cobb	D22/142
D405,570 S *	2/1999	Broecking	D32/32
D453,866 S *	2/2002	Nighy	D32/31
D470,983 S *	2/2003	Svaldi	D32/31
D477,445 S *	7/2003	Schroter	D32/31
D480,848 S *	10/2003	Smith	D32/31
D502,578 S *	3/2005	Roschi	D32/31
D506,046 S *	6/2005	Schroter	D32/32

D513,101 S *	12/2005	Allard	D32/32
D545,512 S *	6/2007	Genoa	D32/31
D610,760 S *	2/2010	Zugen	D32/31
D642,754 S *	8/2011	Fjellman	D32/31
D647,266 S *	10/2011	Kim	D32/31
D652,188 S *	1/2012	Escobar	D32/32
D658,832 S *	5/2012	Eden	D32/32
D670,150 S *	11/2012	Angel	D8/107
D674,158 S *	1/2013	Kim	D32/31
D714,005 S *	9/2014	McGurk	D32/32
D723,231 S *	2/2015	Jang	D32/32
D733,376 S *	6/2015	Bennett	D32/33
D736,600 S *	8/2015	Rossano	D8/355
D755,378 S *	5/2016	Dejima	D24/138
D764,125 S *	8/2016	Palladino	D32/33
D772,027 S *	11/2016	Chi Man	D8/14
D780,248 S *	2/2017	Anari, III	D16/242

(Continued)

Primary Examiner — Ruth McInroy

(74) *Attorney, Agent, or Firm* — Hodgson Russ LLP

(57) **CLAIM**

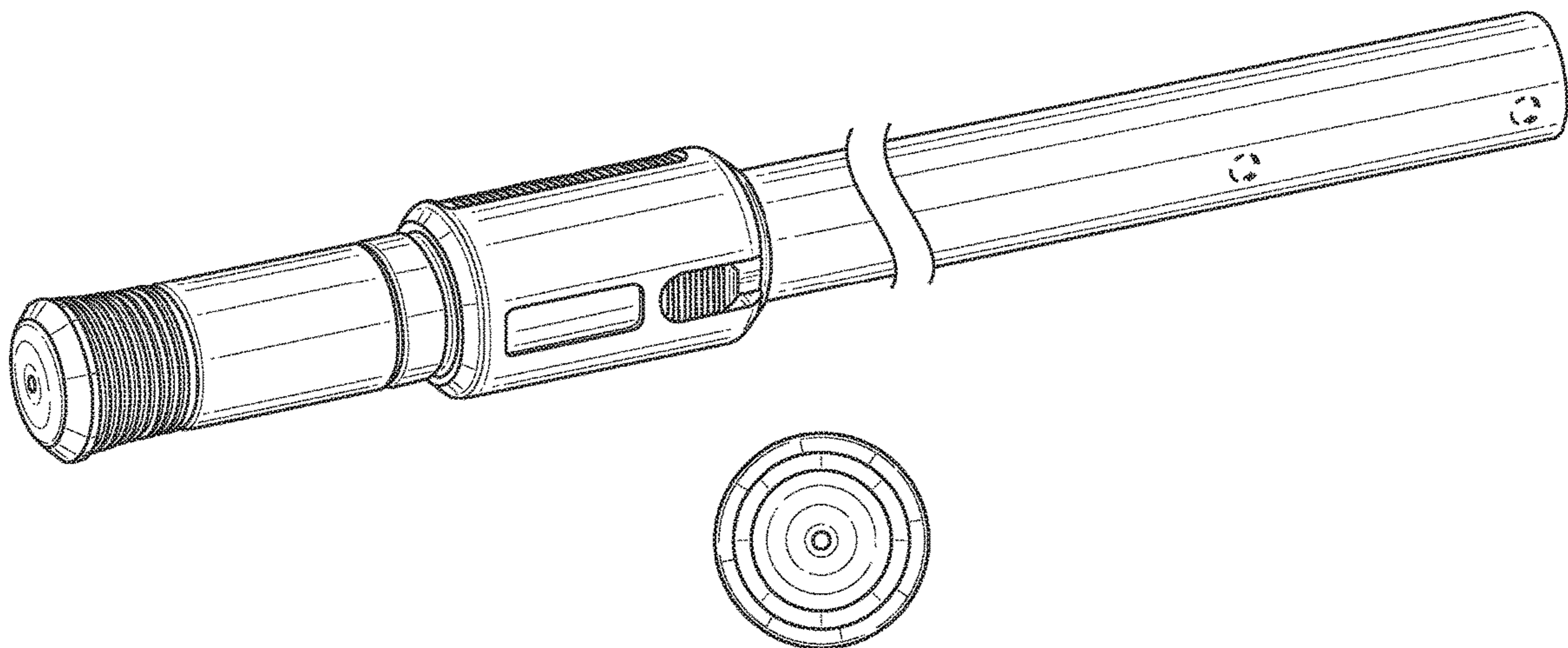
The ornamental design for a swimming pool telescoping pole, as shown and described.

DESCRIPTION

FIG. 1 is a front perspective view of a first embodiment of a swimming pool telescoping pole showing my new design; FIG. 2 is a right side elevational view thereof; FIG. 3 is a left side elevational view thereof; FIG. 4 is a bottom view thereof; FIG. 5 is a top view thereof; FIG. 6 is a rear elevational view thereof; and, FIG. 7 is a front elevational view thereof.

The broken lines illustrate unclaimed portions of the swimming pool telescoping pole that form no part of the claimed design. A portion of the pole is shown with broken gaps to represent an indeterminate length. The indeterminate portion of the article forms no part of the claimed design.

1 Claim, 6 Drawing Sheets



(56)

References Cited

U.S. PATENT DOCUMENTS

2002/0047264 A1* 4/2002 Kim A47L 9/244
285/7
2008/0284158 A1* 11/2008 Lin A47L 9/244
285/7
2010/0123305 A1* 5/2010 Shih A47L 9/244
285/7
2013/0266364 A1* 10/2013 John B25G 3/30
403/299

* cited by examiner

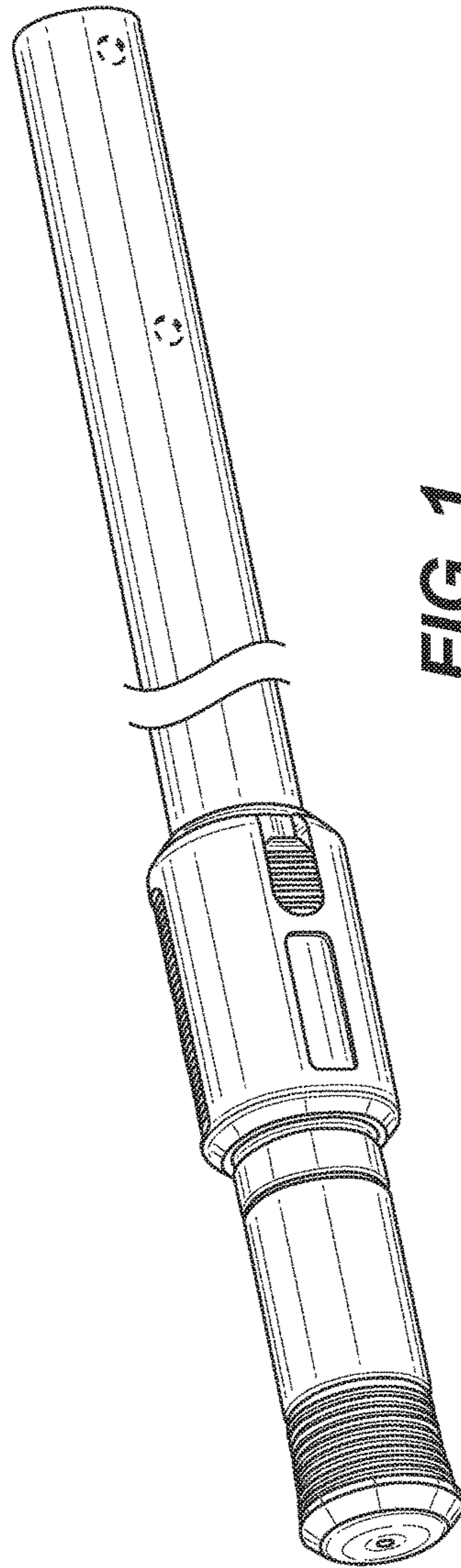


FIG. 1

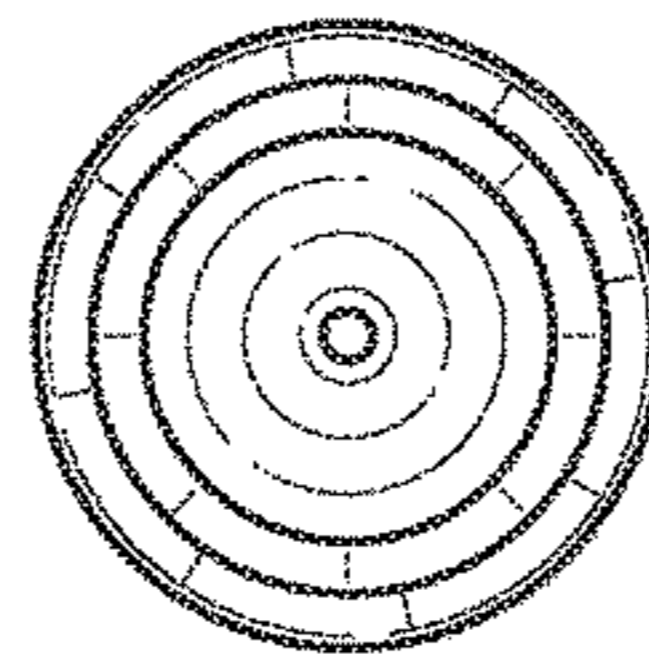


FIG. 3

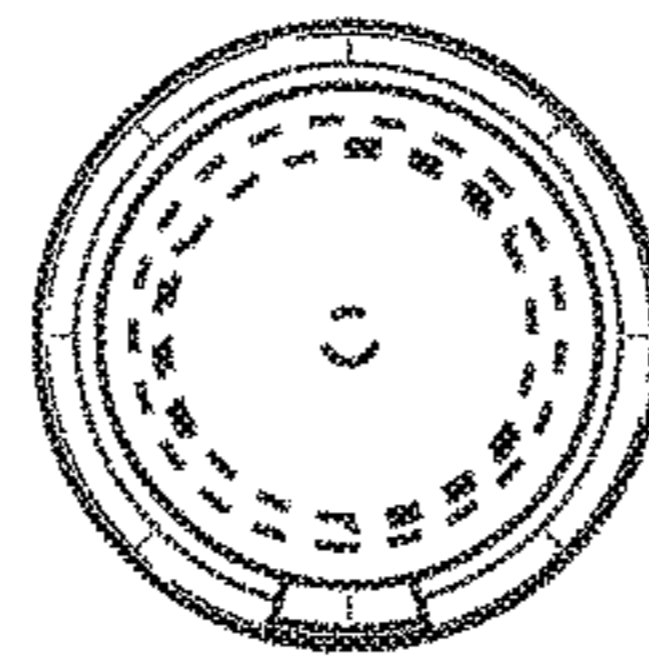


FIG. 2

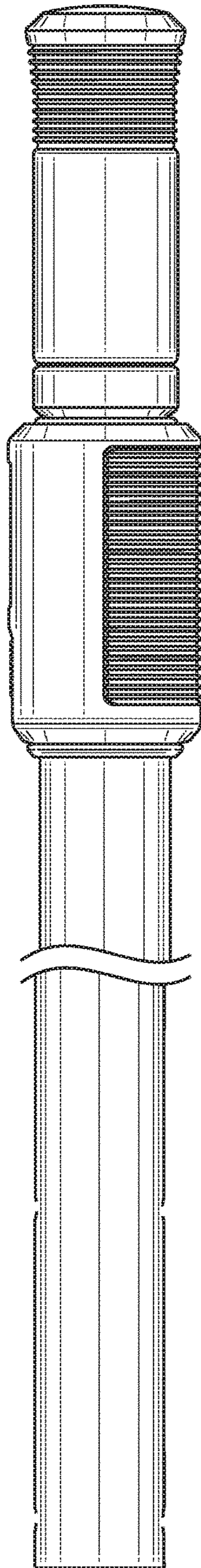


FIG. 4

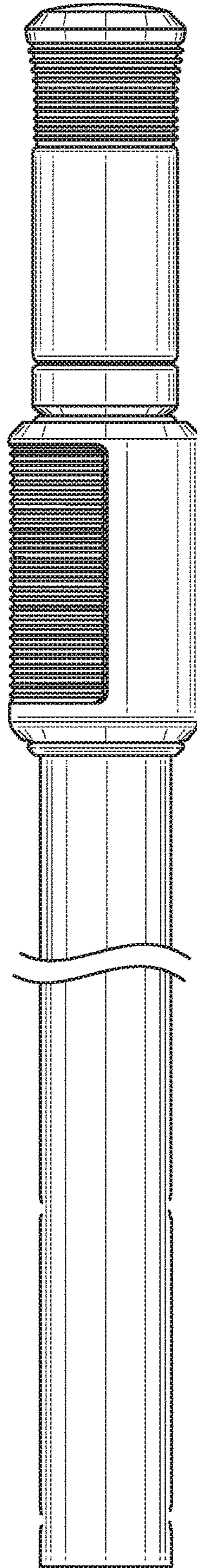


FIG. 5

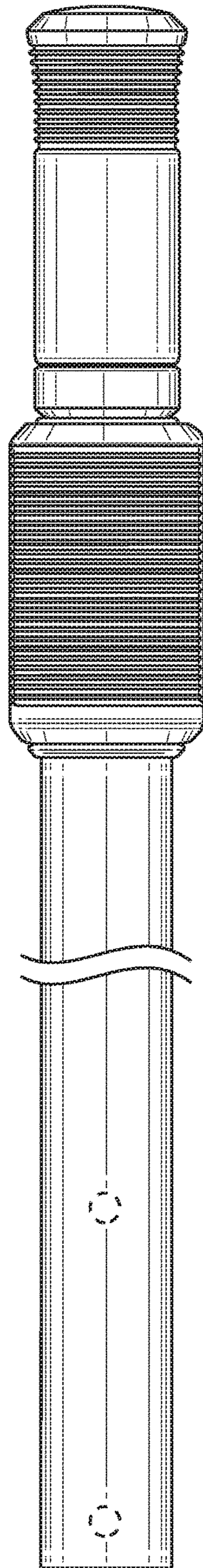


FIG. 6

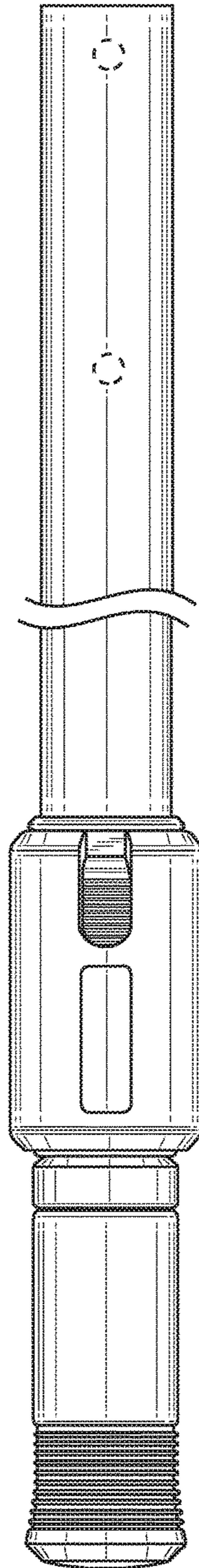


FIG. 7