

US00D796128S

(12) **United States Design Patent**  
**Casadio et al.**

(10) **Patent No.:** **US D796,128 S**

(45) **Date of Patent:** **\*\* Aug. 29, 2017**

(54) **FLOATING DEBRIS SKIMMING DEVICE**

(71) Applicant: **Aquarius Partners, LLC**, Sarasota, FL (US)

(72) Inventors: **Nicolas Casadio**, Sarasota, FL (US);  
**Christian Casadio**, Sarasota, FL (US);  
**Guy Raz**, Austin, TX (US); **Moshe Zruya**, Austin, TX (US)

(73) Assignee: **SKIMKING, INC.**, Sarasota, FL (US)

(\*\*) Term: **15 Years**

(21) Appl. No.: **29/574,779**

(22) Filed: **Aug. 18, 2016**

(51) **LOC (10) Cl.** ..... **15-05**

(52) **U.S. Cl.**  
USPC ..... **D32/21**

(58) **Field of Classification Search**  
USPC ..... D32/17, 21-24, 31  
CPC .... A04H 4/1636; A04H 4/1654; A04H 4/169;  
A47L 9/2842; E02B 15/104; E04H  
4/1263  
See application file for complete search history.

(56) **References Cited**

**U.S. PATENT DOCUMENTS**

|           |     |         |            |       |                           |
|-----------|-----|---------|------------|-------|---------------------------|
| 5,106,492 | A * | 4/1992  | Distinti   | ..... | E04H 4/1263<br>15/1.7     |
| 6,041,453 | A * | 3/2000  | Barrow     | ..... | E04H 4/1263<br>137/115.13 |
| D625,059  | S * | 10/2010 | Morenstein | ..... | D32/21                    |
| D625,477  | S * | 10/2010 | Morenstein | ..... | D32/21                    |
| D630,808  | S * | 1/2011  | Dye        | ..... | D32/21                    |
| D630,809  | S * | 1/2011  | Dye        | ..... | D32/21                    |
| D669,235  | S * | 10/2012 | Bassett    | ..... | D32/21                    |
| D684,738  | S * | 6/2013  | Richiuso   | ..... | D32/21                    |

|           |      |         |                    |       |                          |
|-----------|------|---------|--------------------|-------|--------------------------|
| 8,475,656 | B1 * | 7/2013  | Neumann            | ..... | E04H 4/1263<br>210/167.1 |
| D690,478  | S *  | 9/2013  | Li                 | ..... | D32/21                   |
| D690,887  | S *  | 10/2013 | Lee                | ..... | D32/21                   |
| D691,337  | S *  | 10/2013 | Kim                | ..... | D32/21                   |
| D709,255  | S *  | 7/2014  | Wang               | ..... | D32/21                   |
| D714,002  | S *  | 9/2014  | Casini             | ..... | D32/21                   |
| D715,504  | S *  | 10/2014 | Deoksang           | ..... | D32/21                   |
| D718,911  | S *  | 12/2014 | Vanderstegen-Drake | ..... | D32/21                   |
| D720,103  | S *  | 12/2014 | Haug               | ..... | D32/21                   |
| D721,460  | S *  | 1/2015  | Hanan              | ..... | D32/21                   |
| D728,873  | S *  | 5/2015  | Renaud             | ..... | D32/21                   |
| D745,757  | S *  | 12/2015 | Choi               | ..... | D32/21                   |
| D746,005  | S *  | 12/2015 | Cheon              | ..... | D32/21                   |
| D747,573  | S *  | 1/2016  | Richiuso           | ..... | D32/21                   |
| D751,777  | S *  | 3/2016  | Cheon              | ..... | D32/21                   |
| D771,884  | S *  | 11/2016 | Ninomiya           | ..... | D32/21                   |
| D778,514  | S *  | 2/2017  | Park               | ..... | D32/21                   |
| D778,515  | S *  | 2/2017  | Choi               | ..... | D32/21                   |

\* cited by examiner

*Primary Examiner* — Ruth McInroy

(74) *Attorney, Agent, or Firm* — Shumaker, Loop & Kendrick, LLP

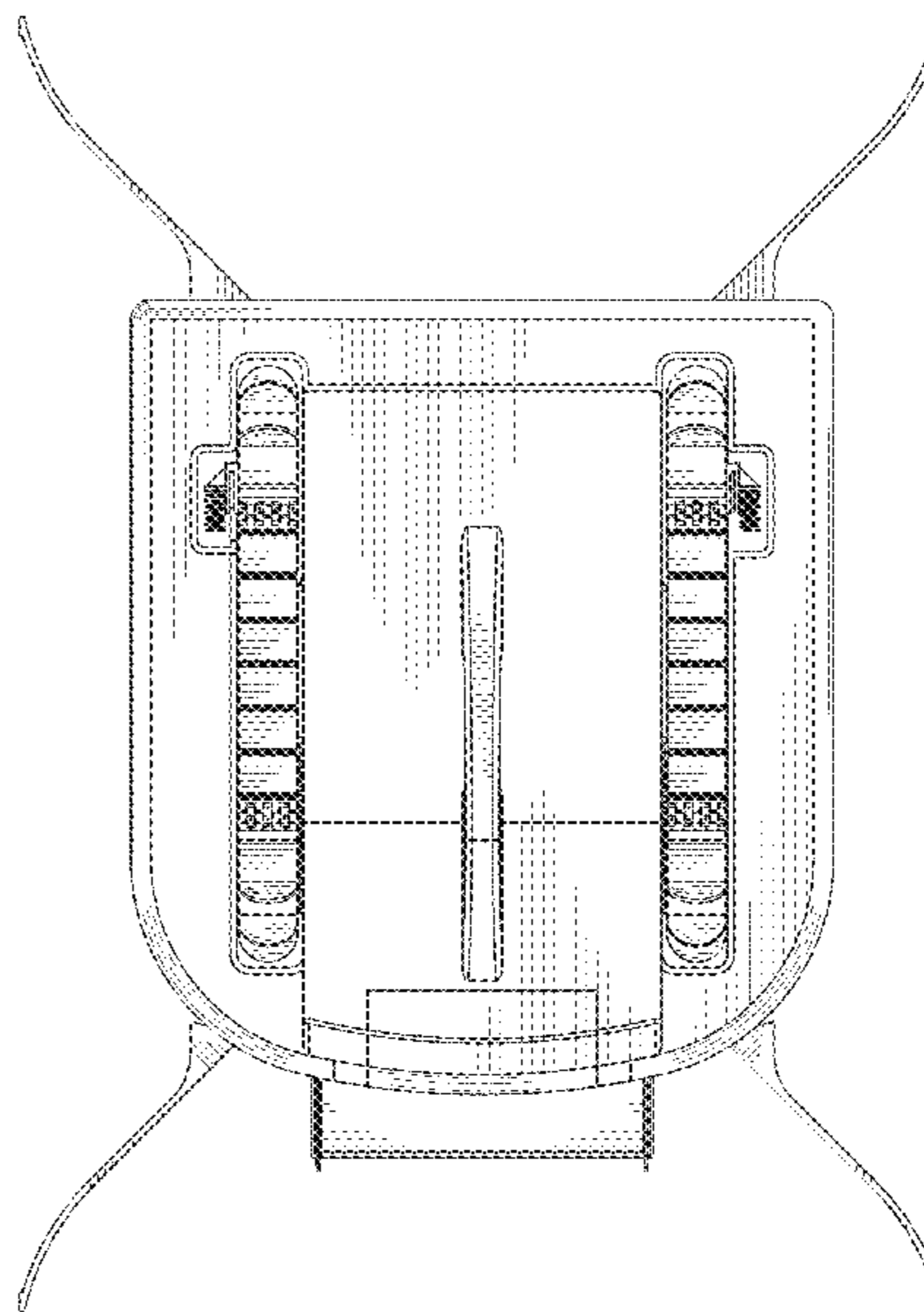
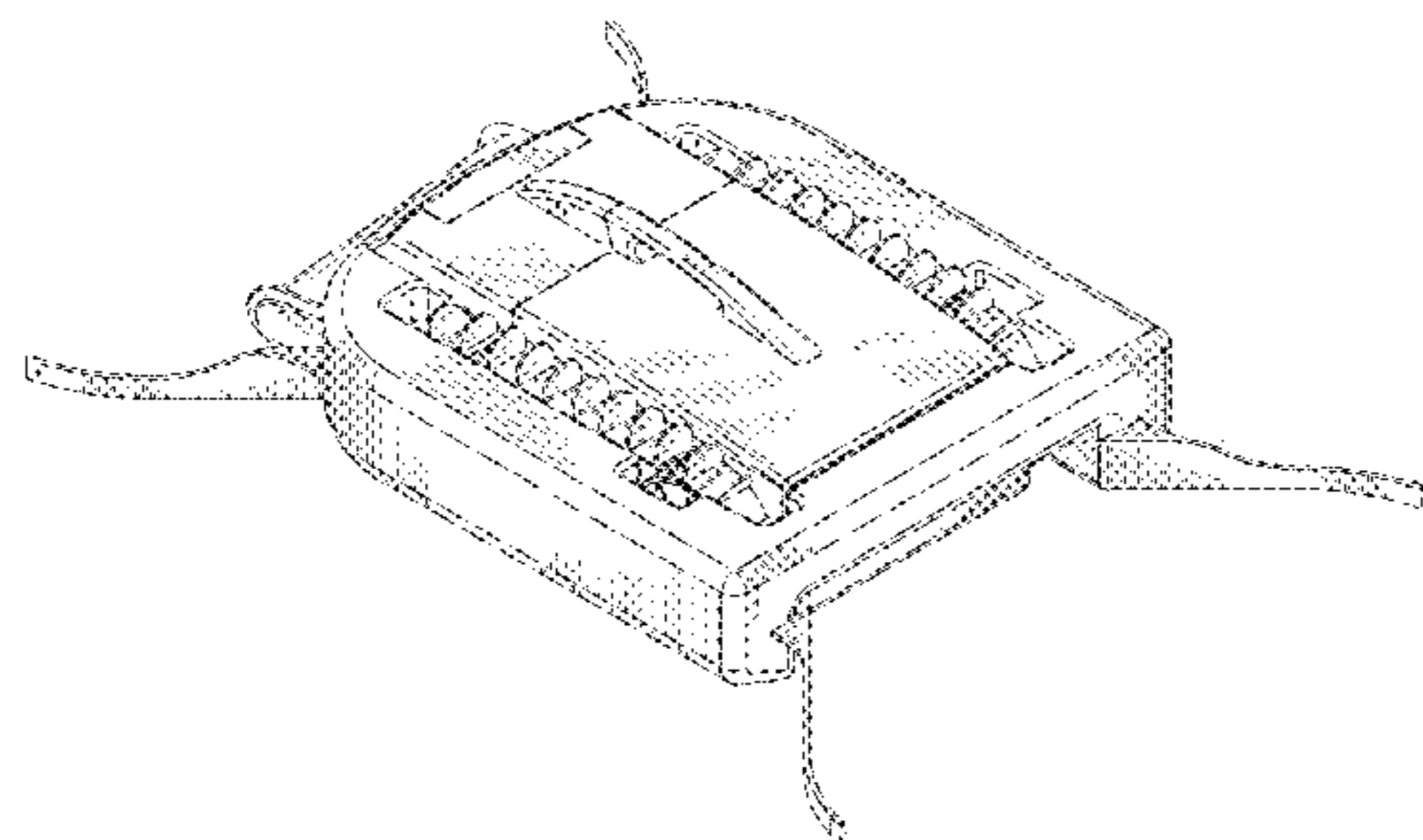
(57) **CLAIM**

The ornamental design for a floating debris skimming device, as shown and described.

**DESCRIPTION**

FIG. 1 is a top perspective view of a floating debris skimming device showing our new design; FIG. 2 is a bottom perspective view thereof; FIG. 3 is a top view thereof; FIG. 4 is a bottom view thereof; FIG. 5 is a front view thereof; FIG. 6 is a back view thereof; and, FIG. 7 is a right side view thereof, the left side being a mirror image of the right side.

**1 Claim, 6 Drawing Sheets**



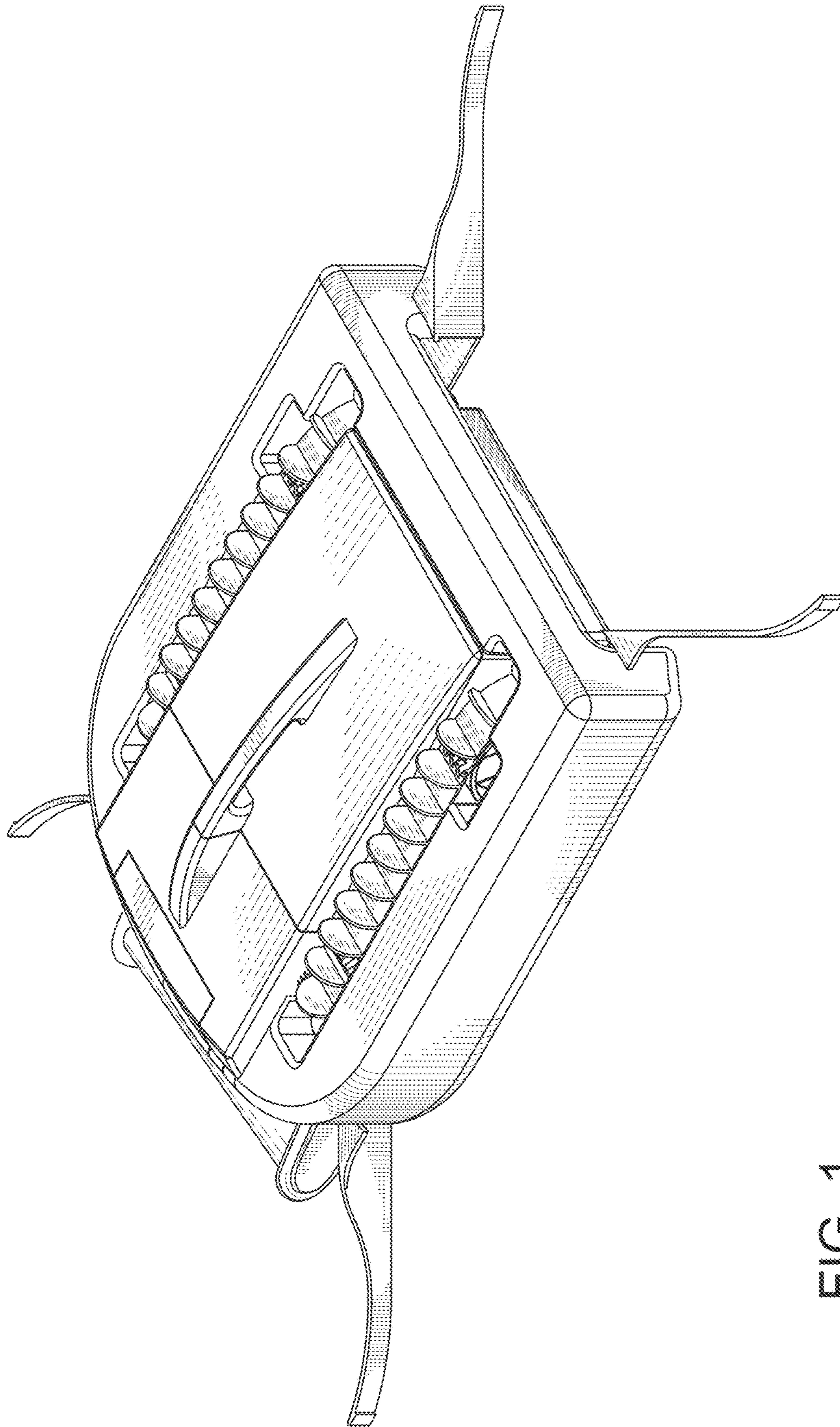


FIG. 1

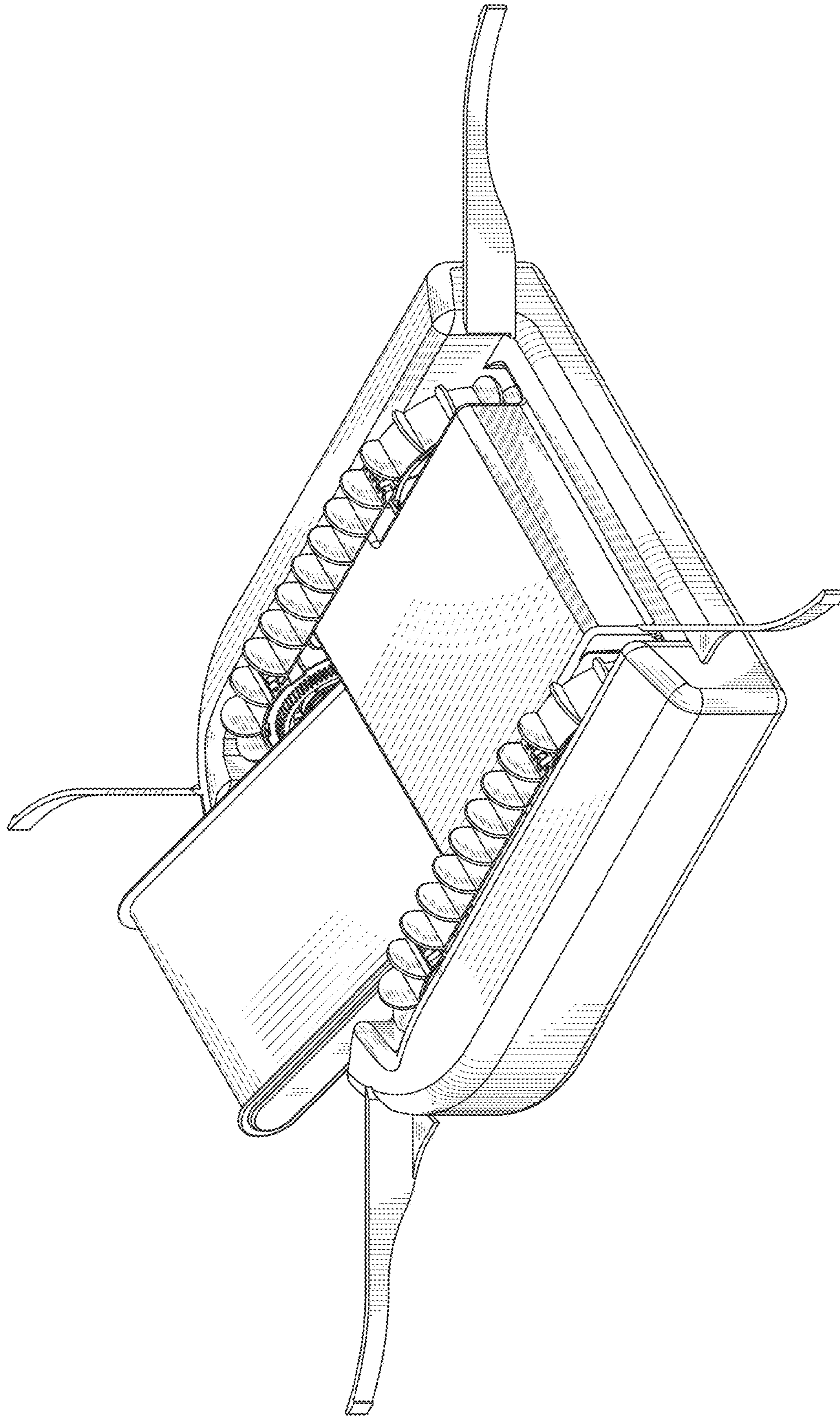


FIG. 2

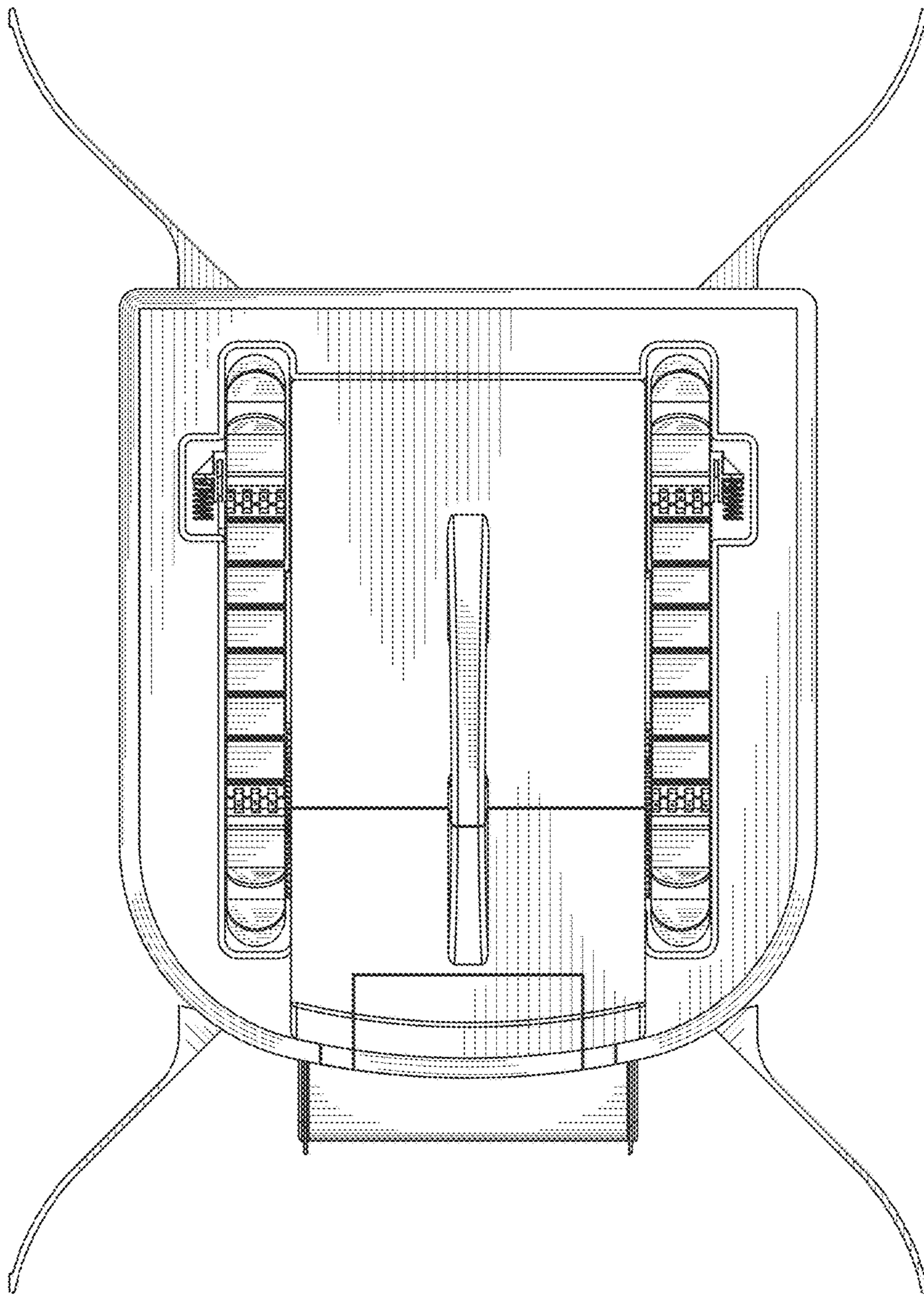


FIG. 3

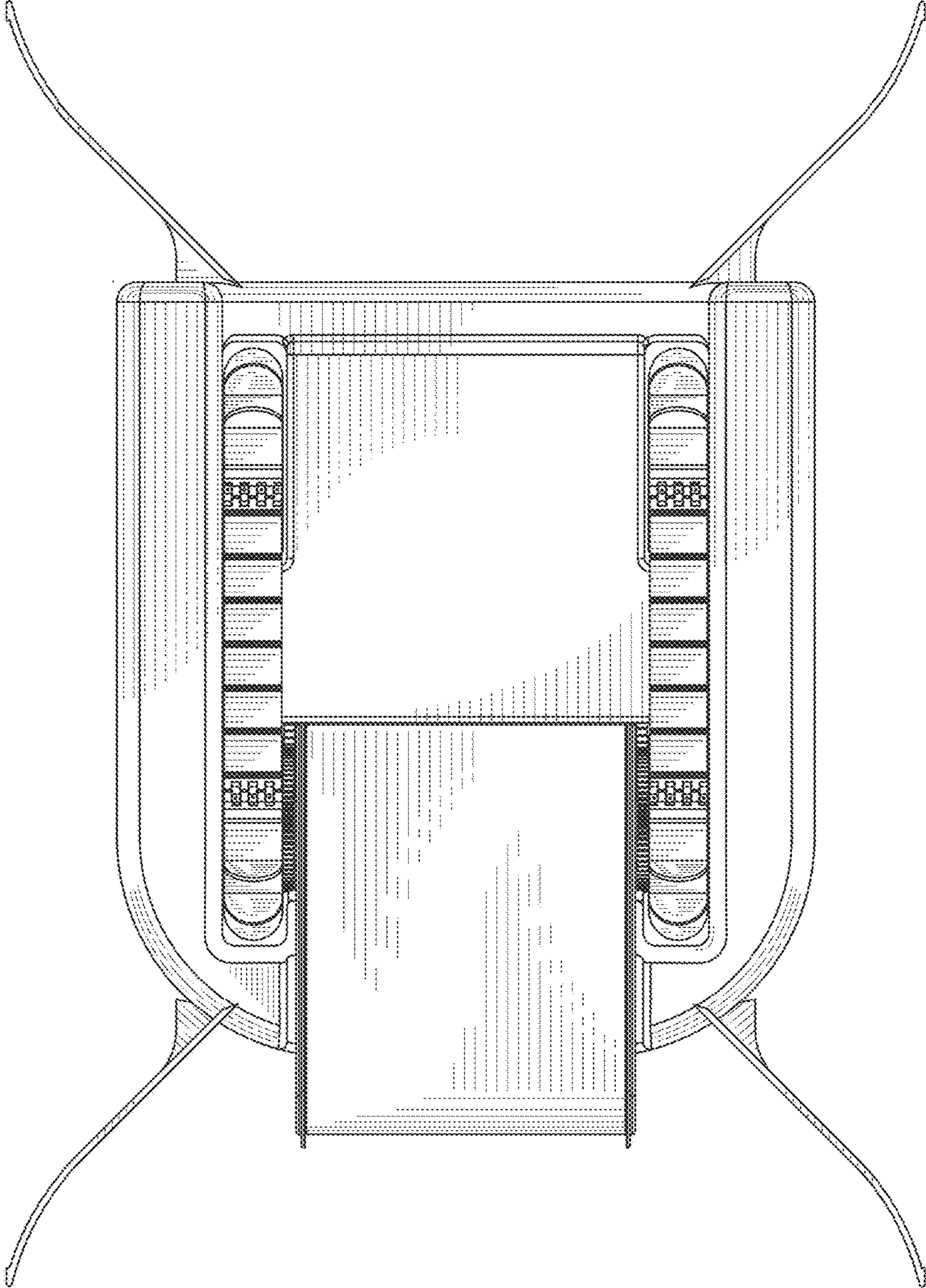


FIG. 4

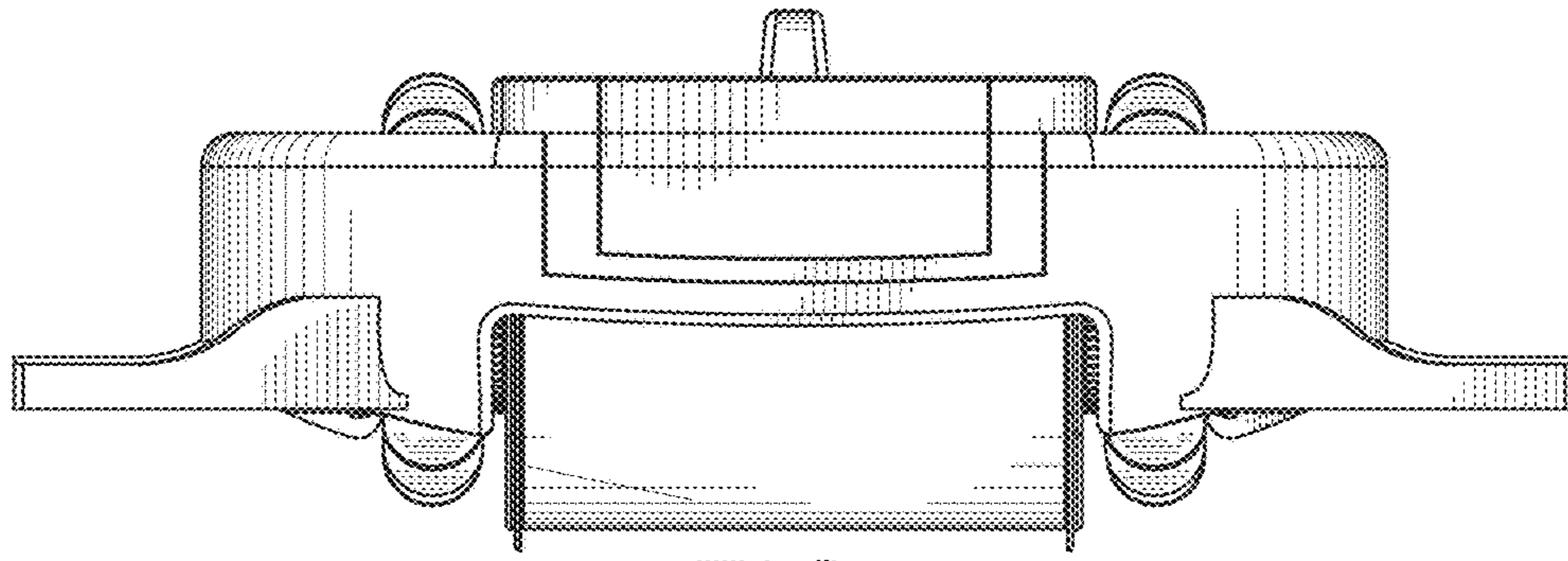


FIG. 5

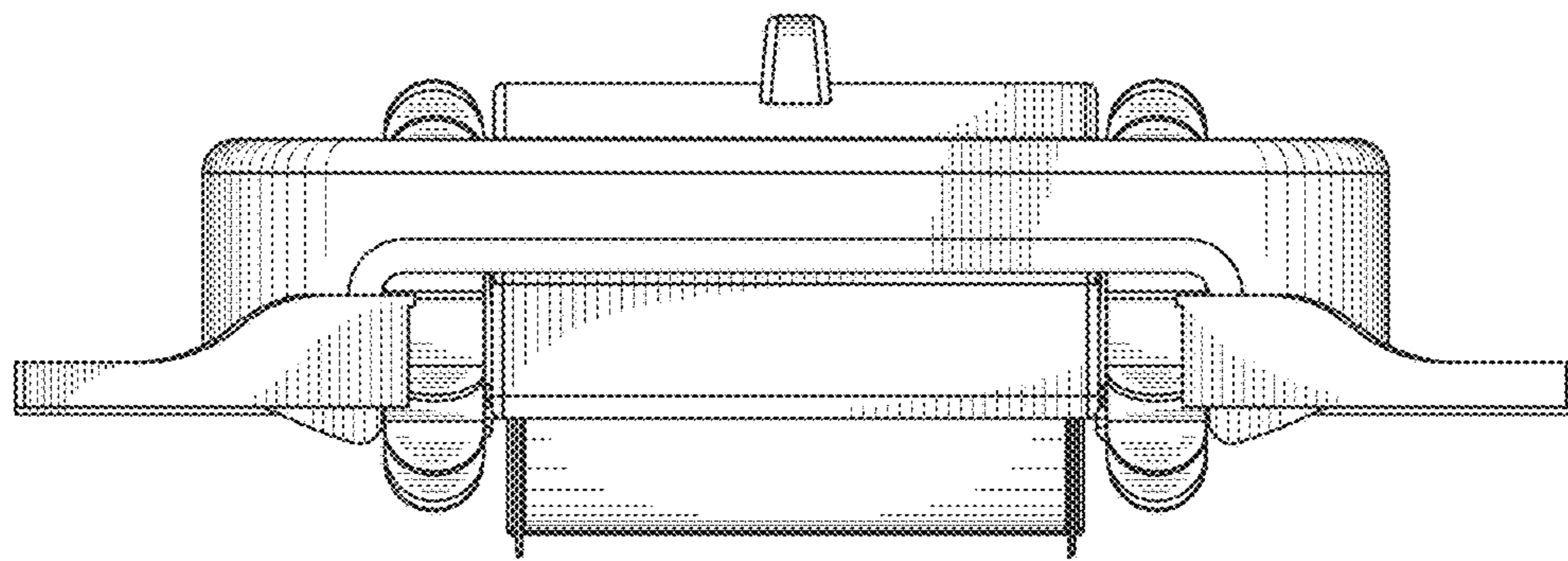


FIG. 6

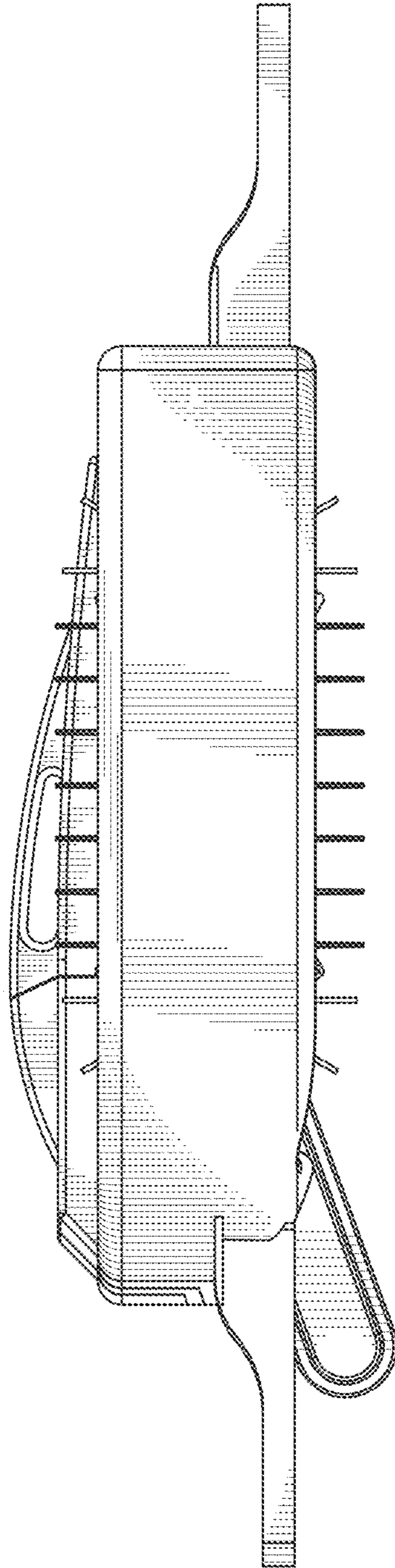


FIG. 7