



US00D796127S

(12) **United States Design Patent** (10) **Patent No.:** **US D796,127 S**  
**Guthrie** (45) **Date of Patent:** **\*\* Aug. 29, 2017**

- (54) **TOILET PLUNGER**
- (71) Applicant: **LAVELLE INDUSTRIES, INC.**,  
Burlington, WI (US)
- (72) Inventor: **Kevin J. Guthrie**, Wind Lake, WI (US)
- (73) Assignee: **Lavelle Industries, Inc.**, Burlington,  
WI (US)
- (\*\*) Term: **15 Years**
- (21) Appl. No.: **29/580,051**
- (22) Filed: **Oct. 5, 2016**

D491,702 S *	6/2004	Tash	.....	D32/14
D509,333 S *	9/2005	Tash	.....	D32/35
D514,760 S *	2/2006	Schoolcraft	.....	D32/35
D535,073 S *	1/2007	Leaphart	.....	D32/35
D690,959 S *	10/2013	Yang	.....	D6/524
2013/0125298 A1 *	5/2013	Guthrie	.....	E03D 9/00 4/255.11
2014/0033419 A1 *	2/2014	Daciw	.....	E03D 9/00 4/255.11
2014/0075661 A1 *	3/2014	Zeng	.....	E03D 9/00 4/255.11
2014/0115768 A1 *	5/2014	Wang	.....	E03C 1/308 4/255.11
2015/0240466 A1 *	8/2015	Schultz	.....	A47K 11/10 4/255.11
2016/0298322 A1 *	10/2016	Zavala	.....	E03D 11/00

\* cited by examiner

**Related U.S. Application Data**

- (63) Continuation of application No. 13/683,149, filed on  
Nov. 21, 2012, now abandoned.
- (51) **LOC (10) Cl.** ..... **15-05**
- (52) **U.S. Cl.**  
USPC ..... **D32/14**
- (58) **Field of Classification Search**  
USPC ..... D32/1, 14, 25, 35; D23/223, 224;  
D6/524  
CPC ..... E03C 1/308; A47K 11/10  
See application file for complete search history.

*Primary Examiner* — Michael A. Pratt  
*Assistant Examiner* — Michelle E Wilson  
 (74) *Attorney, Agent, or Firm* — Joseph S. Heino; James  
 E. Lowe, Jr.

(57) **CLAIM**

The ornamental design for a toilet plunger, as shown and described.

**DESCRIPTION**

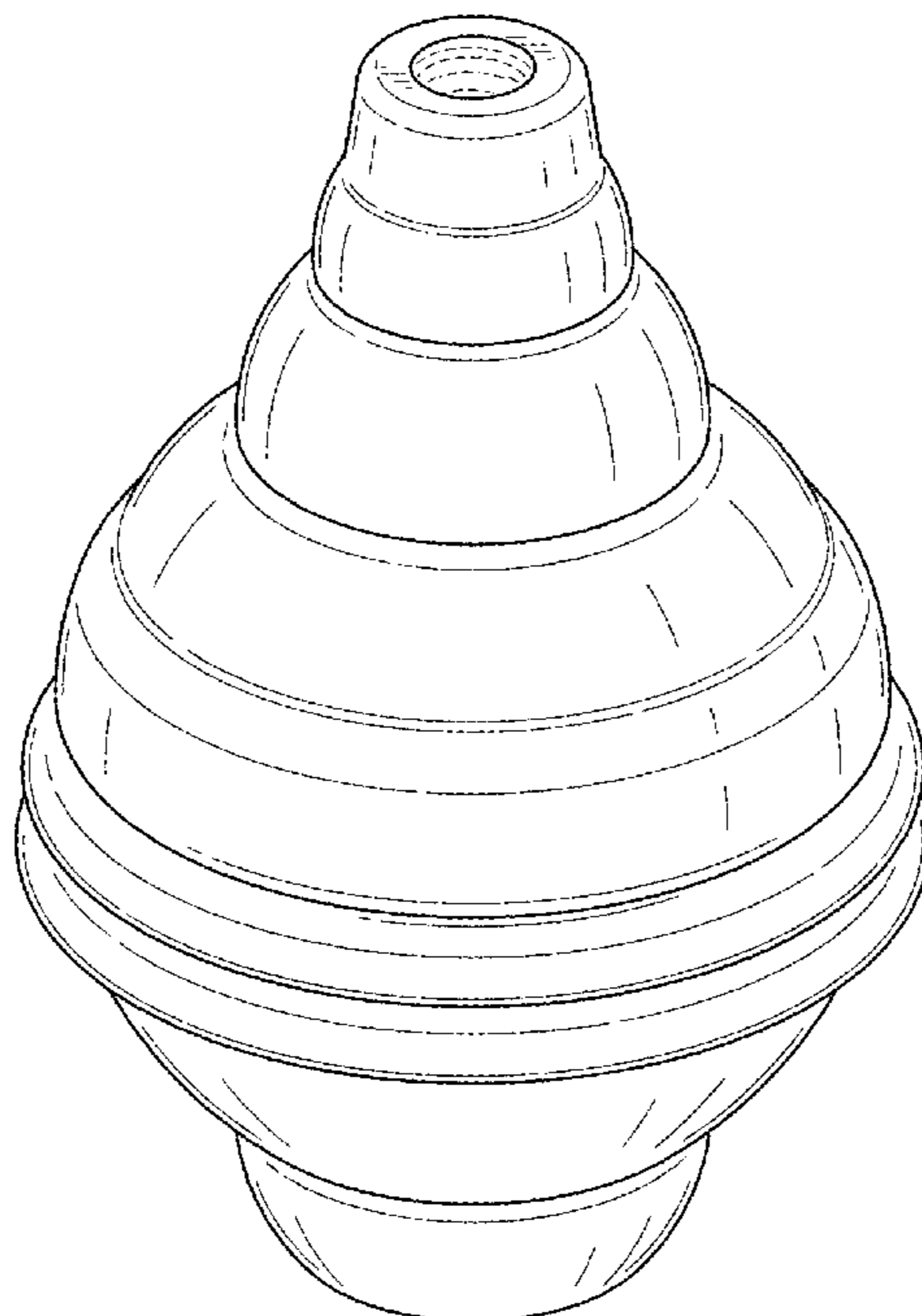
FIG. 1 is a front perspective view of the toilet plunger showing my new design;  
 FIG. 2 is a front elevational view thereof;  
 FIG. 3 is a top plan view thereof; and,  
 FIG. 4 is a bottom plan view thereof.  
 The broken lines shown in FIGS. 1, 3 and 4 depict portions of the toilet plunger that form no part of the claimed design.

**1 Claim, 3 Drawing Sheets**

(56) **References Cited**

**U.S. PATENT DOCUMENTS**

D292,631 S *	11/1987	Tash	.....	D32/14
D437,667 S *	2/2001	Hwang	.....	D32/35
D448,534 S *	9/2001	Wang	.....	D32/35
D454,673 S *	3/2002	Hwang	.....	D32/35
D456,574 S *	4/2002	Chen	.....	D32/35
D465,888 S *	11/2002	Wang	.....	D32/35



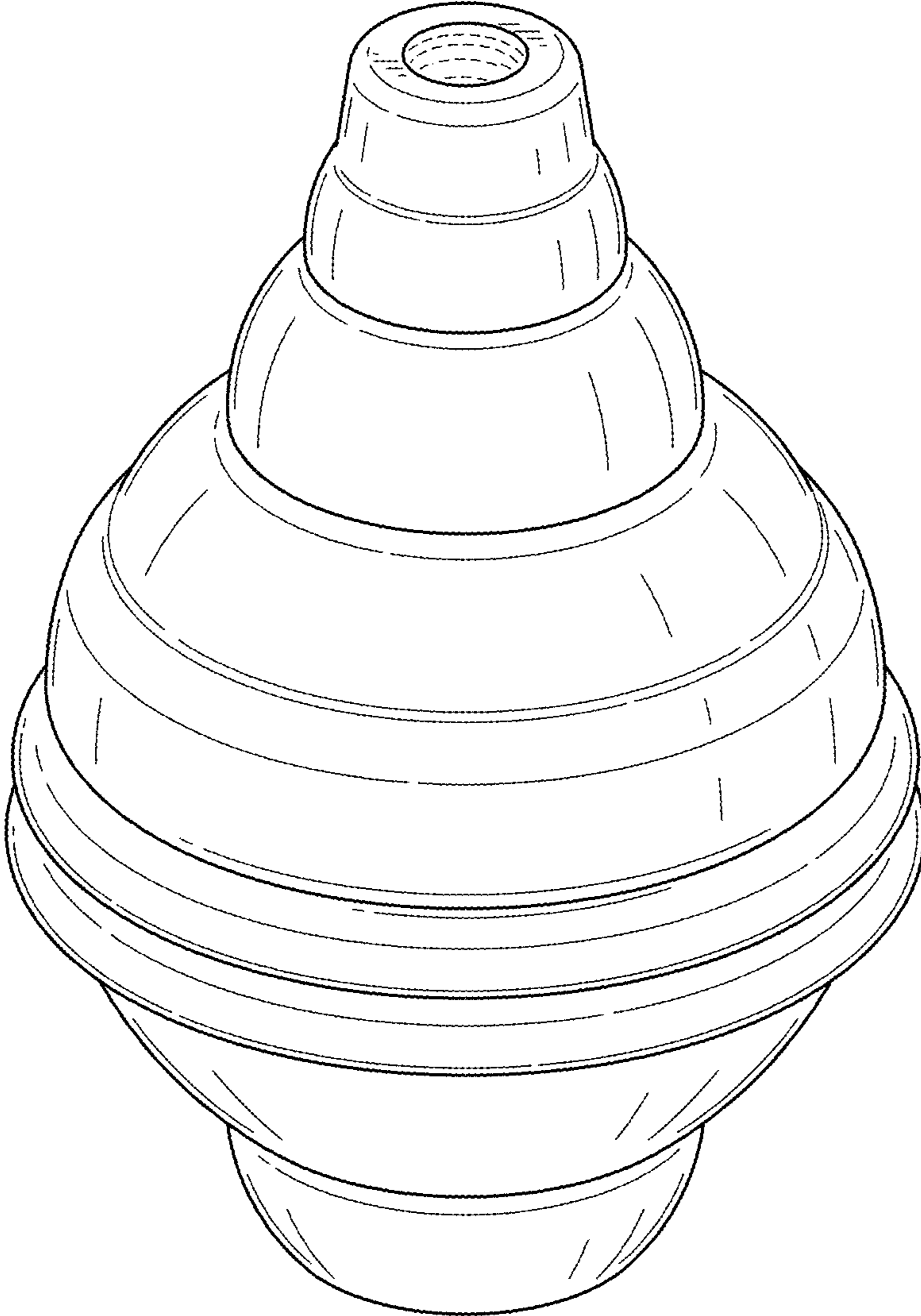


FIG. 1

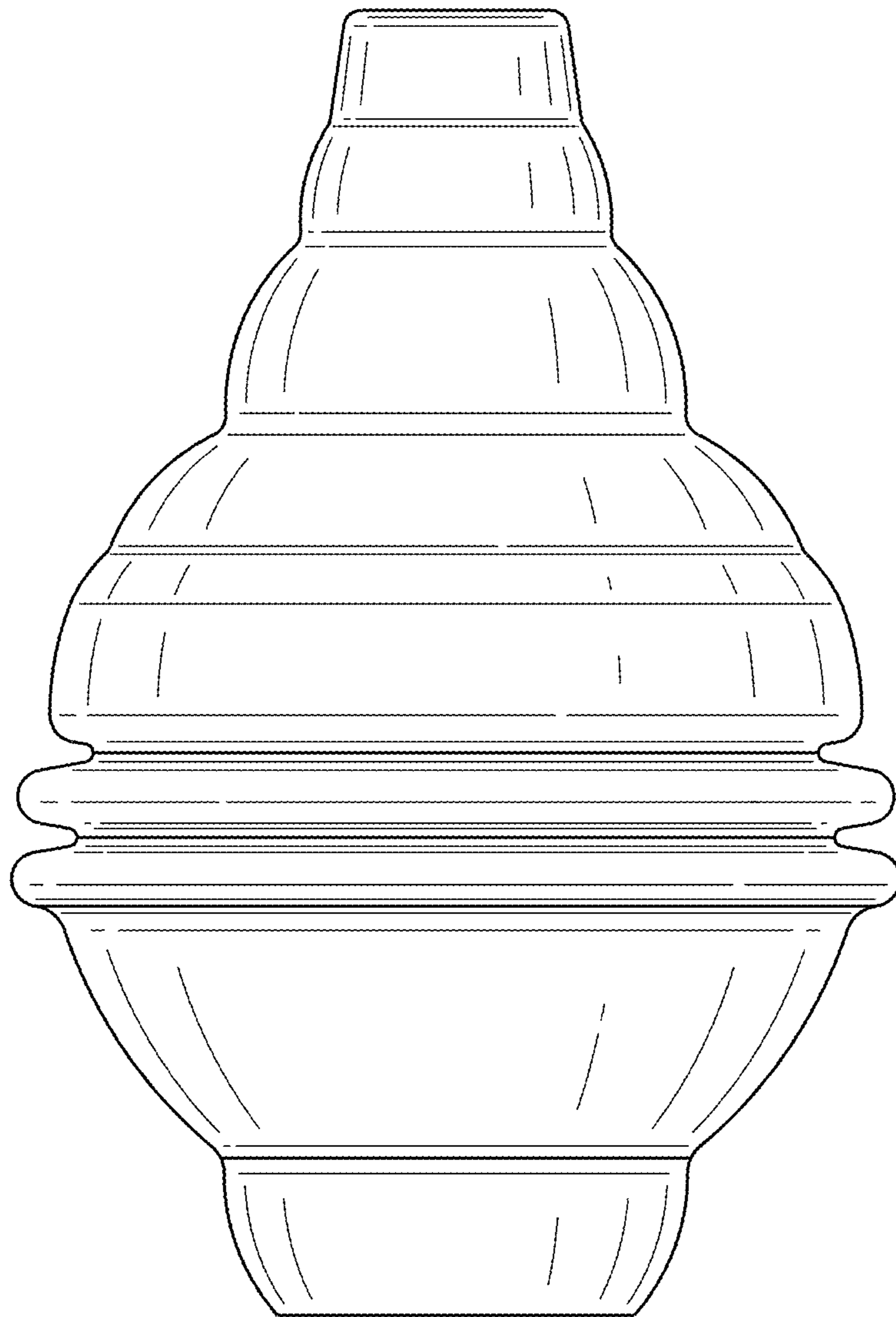


FIG. 2

FIG. 3

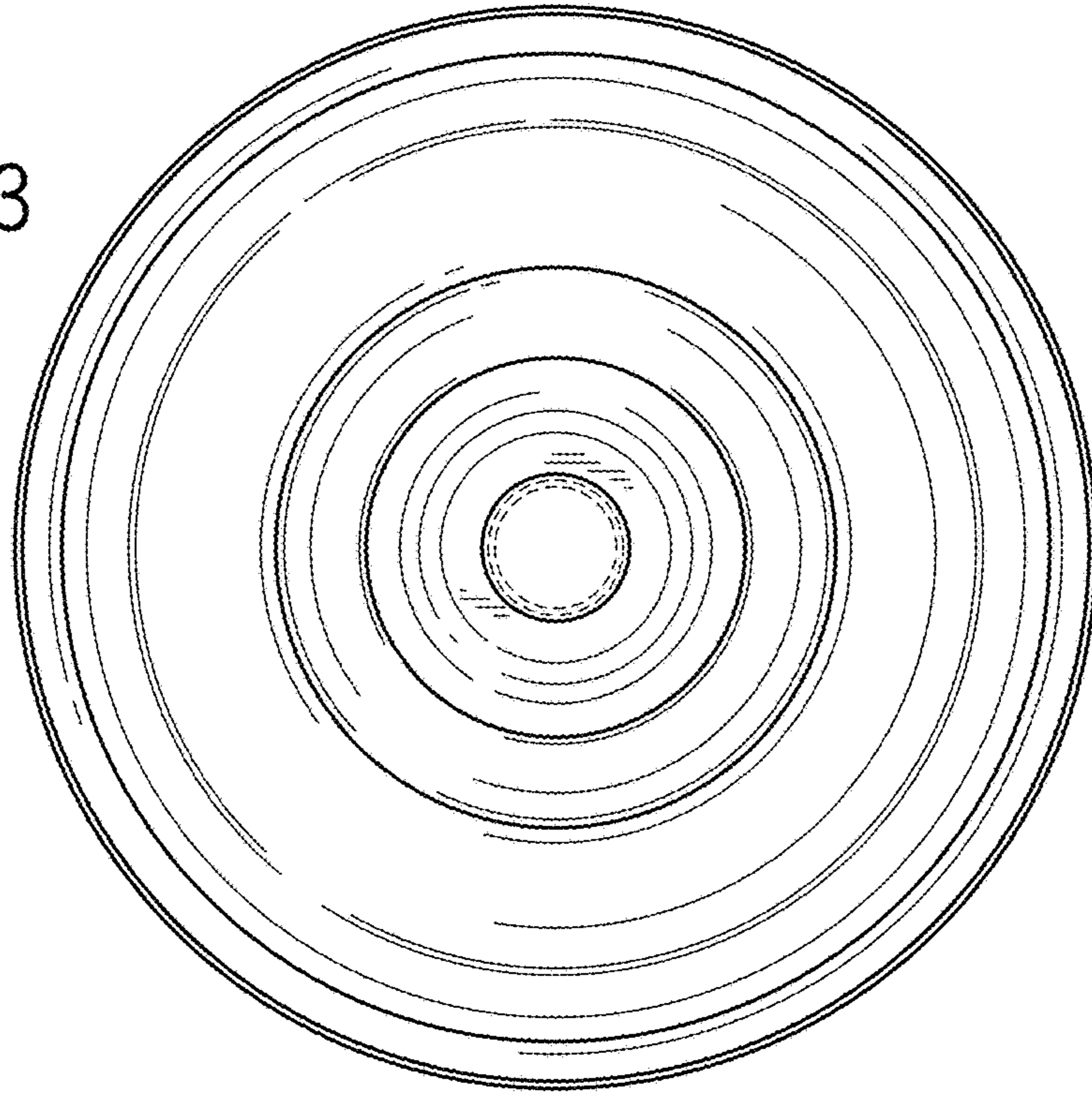


FIG. 4

