



US00D796126S

(12) **United States Design Patent**
Gonzalez

(10) **Patent No.:** **US D796,126 S**
(45) **Date of Patent:** **** Aug. 29, 2017**

- (54) **PET EXCREMENT BAG HOLDER**
- (71) Applicant: **Abigain Gonzalez**, Far Rockaway, NY (US)
- (72) Inventor: **Abigain Gonzalez**, Far Rockaway, NY (US)
- (**) Term: **15 Years**
- (21) Appl. No.: **29/547,961**
- (22) Filed: **Dec. 9, 2015**
- (51) **LOC (10) Cl.** **30-99**
- (52) **U.S. Cl.**
USPC **D30/162**
- (58) **Field of Classification Search**
USPC D30/161, 162, 151, 144, 140, 137, 106, D30/199; 119/867, 868, 161, 163, 164, 119/170, 717, 712; 294/1.3-1.5, 214; 43/7-12; 15/257.1, 257.7; 206/496; 383/33, 34, 34.1, 6, 12, 13, 68; 30/99; D32/74, 49; D8/14, 106, 107, 499
CPC A01K 23/00; A01K 23/005; E01H 1/1206; E01H 1/1213; E01H 1/12; E01H 2001/122; E01H 2001/1226; E01H 2001/1233; E01H 2001/128; E01H 2001/1286; E01H 2001/1293; E01H 2001/1273; E01H 2001/126
See application file for complete search history.

3,827,098 A *	8/1974	Sanderson	E01H 1/1206	15/104.8
3,868,135 A *	2/1975	Magliaro	A01K 23/005	15/257.6
3,984,139 A	10/1976	Battaglia			
4,003,595 A *	1/1977	Fano	A01K 23/005	294/1.5
D263,512 S *	3/1982	Kawada	294/1.4	
4,335,678 A *	6/1982	Garza	A01K 23/005	294/1.5
D267,593 S *	1/1983	Crawford	294/1.4	
4,383,710 A *	5/1983	Fehr	E01H 1/1206	294/1.4
4,466,647 A	8/1984	Spevak			
4,477,111 A *	10/1984	Crooks	E01H 1/1206	294/1.4
4,832,291 A *	5/1989	Nelson	B65B 67/1238	248/99
4,878,703 A	11/1989	Yoshioka			
5,033,781 A *	7/1991	Flood	E01H 1/1206	15/257.6
5,131,704 A *	7/1992	Li	A01K 23/005	294/1.4
5,137,623 A *	8/1992	Wall	E04H 4/1609	15/1.7
D330,444 S *	10/1992	Wall	D22/135	

Primary Examiner — Susan Moon Lee

(57) **CLAIM**

The ornamental design for a pet excrement bag holder, as shown and described.

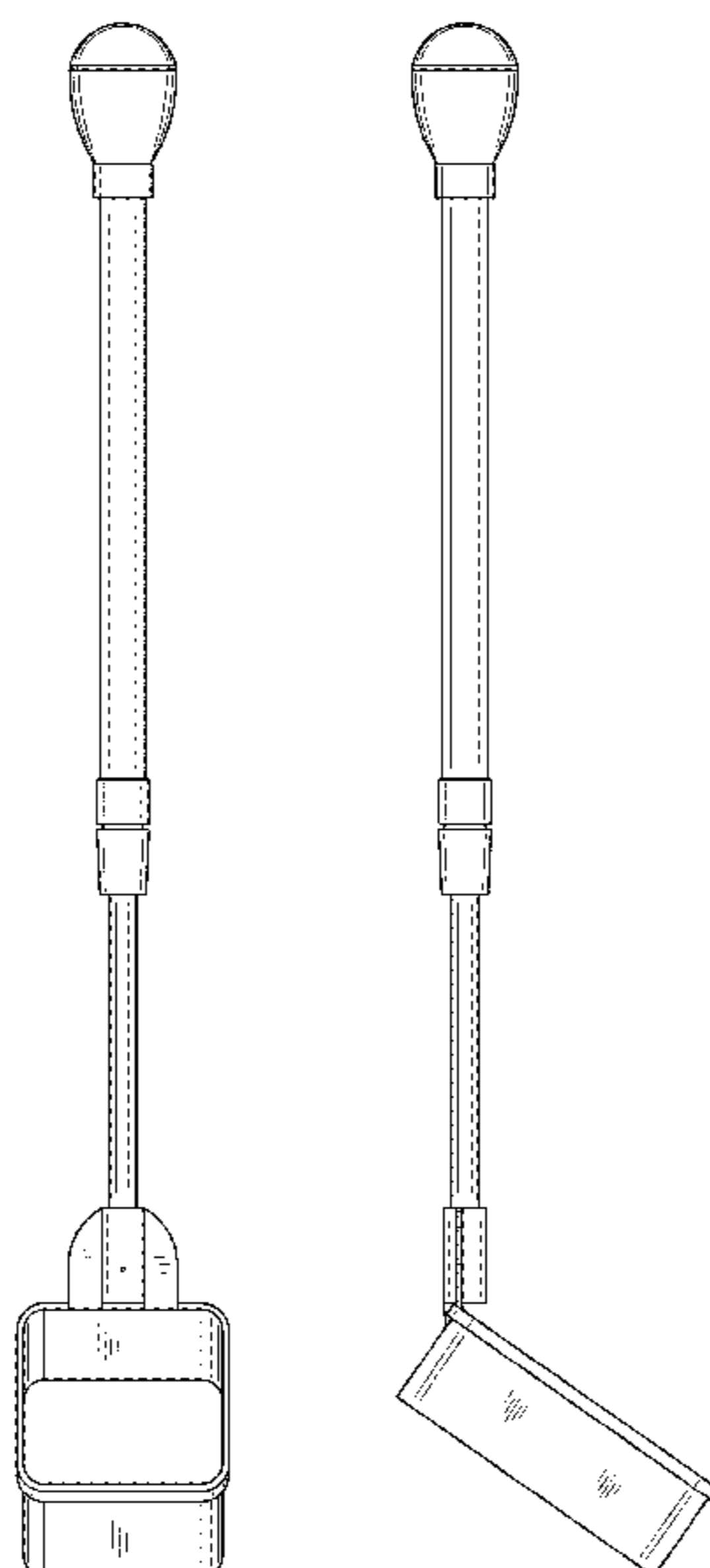
DESCRIPTION

FIG. 1 is a front view of a pet excrement bag holder showing my new design;
FIG. 2 is a rear view of the pet excrement bag holder;
FIG. 3 is a left side view of the pet excrement bag holder, a right side view being a mirror image thereof;
FIG. 4 is a top view of the pet excrement bag holder; and,
FIG. 5 is a bottom view of the pet excrement bag holder.

1 Claim, 2 Drawing Sheets

(56) **References Cited**
U.S. PATENT DOCUMENTS

3,139,299 A *	6/1964	Bowen	E01H 1/1206	111/115
3,281,178 A *	10/1966	Fisher	E01H 1/1206	15/257.7
3,804,448 A *	4/1974	Schmieler	E01H 1/1206	294/1.4



(56)

References Cited

U.S. PATENT DOCUMENTS

5,165,744	A *	11/1992	Vogrin	A63B 57/0037	294/19.2
D333,888	S *	3/1993	Visser	294/1.4	
D336,704	S *	6/1993	Foden	D30/118	
5,290,080	A	3/1994	Yoshioka			
5,350,208	A *	9/1994	Heinrichson	E01H 1/1206	294/1.4
5,360,247	A *	11/1994	Vachter	E01H 1/12	294/1.4
D355,280	S	2/1995	Yoshioka			
5,540,470	A *	7/1996	Lu	E01H 1/1206	15/257.6
D374,110	S *	9/1996	Hull	294/1.4	
5,620,221	A	4/1997	Wilke			
D406,415	S *	3/1999	Martin	D30/162	
5,915,769	A *	6/1999	Kidd	E01H 1/1206	294/1.4
6,030,011	A *	2/2000	Layton	E01H 1/1206	15/257.4
6,068,311	A *	5/2000	Jones	E01H 1/1206	294/1.4
6,113,166	A *	9/2000	Wynn	E01H 1/1206	15/104.8
6,637,791	B1 *	10/2003	Steadman	E01H 1/1206	15/257.6
7,040,677	B1 *	5/2006	Wickser, Jr.	E01H 1/1206	294/1.4
7,188,878	B1	3/2007	Kraus			
7,198,310	B1 *	4/2007	Lau	A01K 23/005	294/1.5
7,686,361	B1 *	3/2010	Flinn	E01H 1/1206	294/1.4
D618,402	S *	6/2010	Larman	D30/162	
D634,490	S *	3/2011	Weber	D30/162	
8,087,707	B1 *	1/2012	Hawkins	A47G 25/82	223/111
8,109,547	B1 *	2/2012	Miller	A01K 23/005	294/1.4
8,146,967	B1 *	4/2012	Brown	A01K 23/005	294/1.5
D662,268	S *	6/2012	Pearcey	D30/162	
D697,282	S *	1/2014	James	D34/5	
8,684,429	B1 *	4/2014	Holub	E01H 1/1206	294/1.4
9,061,781	B2 *	6/2015	Palmer	B65B 67/1238	
9,072,280	B1 *	7/2015	Ramoutar	A01K 23/005	
D745,145	S *	12/2015	Bivens	D24/128	
D762,929	S *	8/2016	Minter	D30/162	
9,609,849	B1 *	4/2017	Hyman, Jr.	A01K 23/005	
2002/0008392	A1 *	1/2002	Harrison	E01H 1/1206	294/1.4
2002/0140240	A1 *	10/2002	Charette	A01K 23/005	294/1.5
2004/0124646	A1 *	7/2004	Peko	A01K 23/005	294/1.4
2005/0056649	A1 *	3/2005	Simonson	B65F 1/06	220/495.08
2005/0184540	A1 *	8/2005	Graziosi	A01K 23/005	294/1.4
2008/0303295	A1 *	12/2008	Moreno Fernandez De Betono	E01H 1/1206	294/1.3
2009/0293337	A1 *	12/2009	Arita	A01K 63/006	43/8
2010/0117387	A1 *	5/2010	Axelrod	E01H 1/1206	294/1.4

* cited by examiner

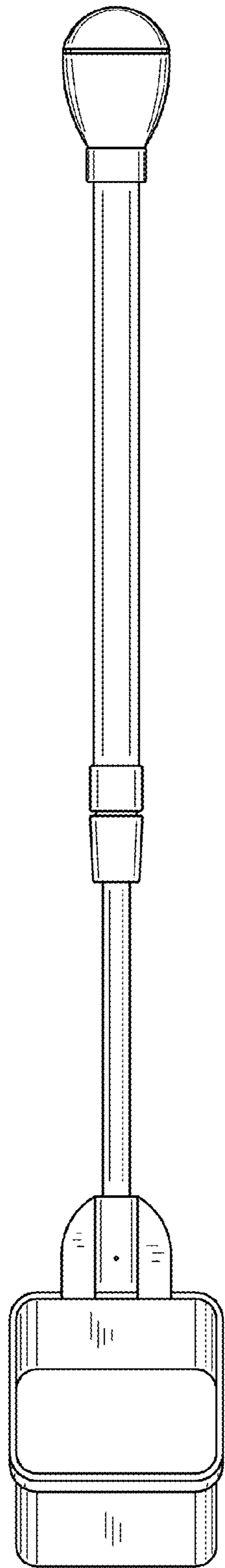


FIG. 1

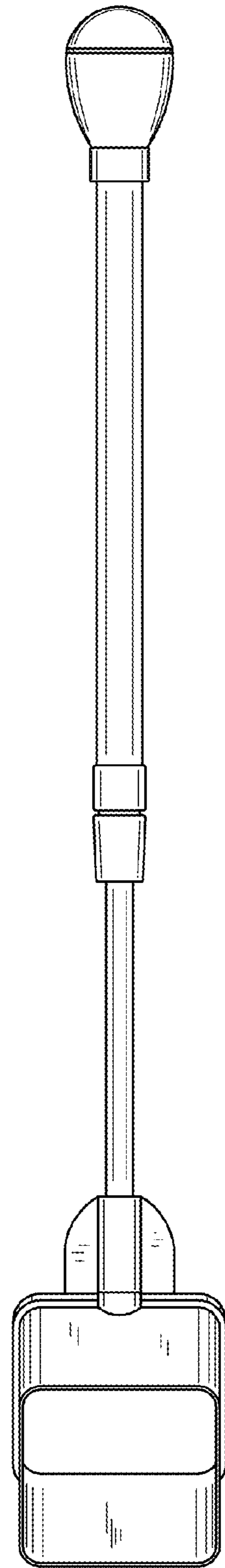


FIG. 2

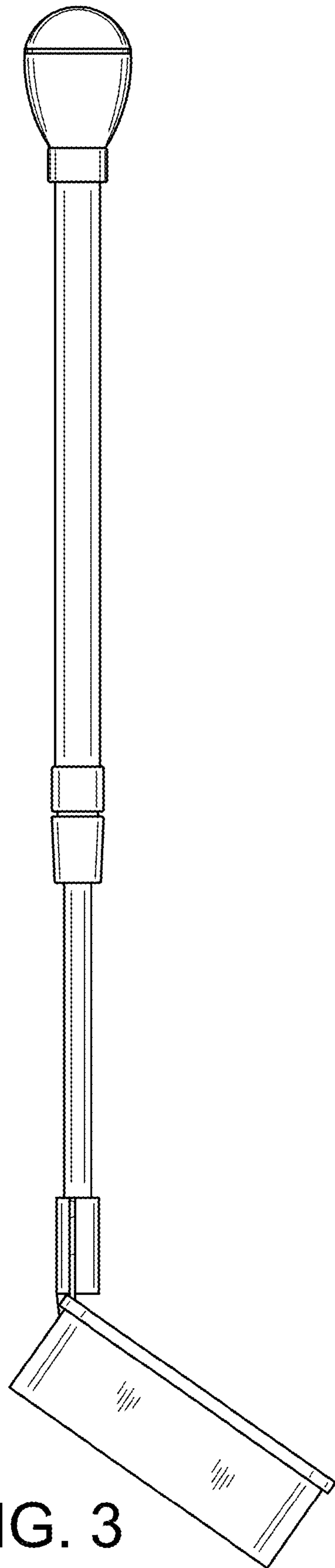


FIG. 3

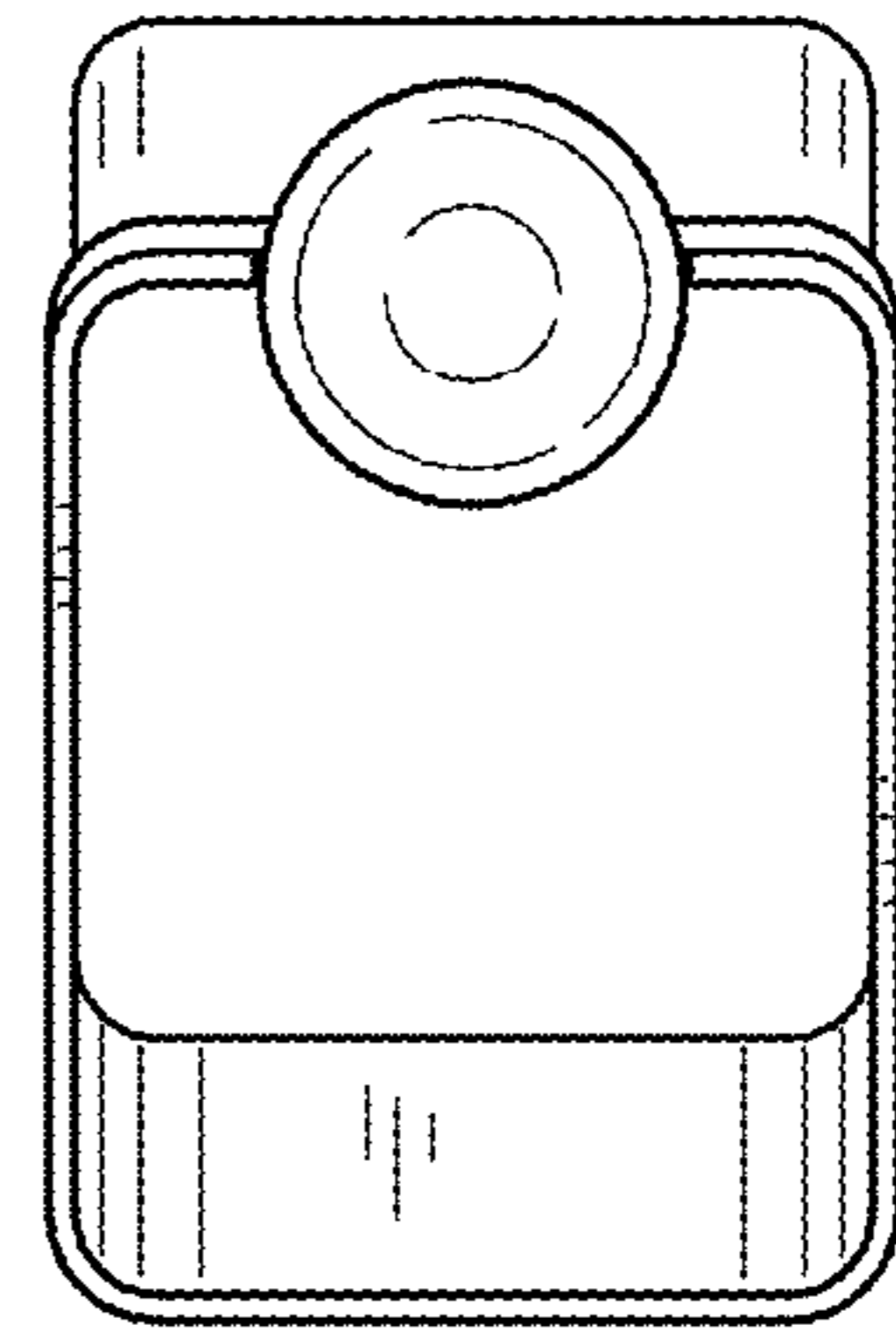


FIG. 4

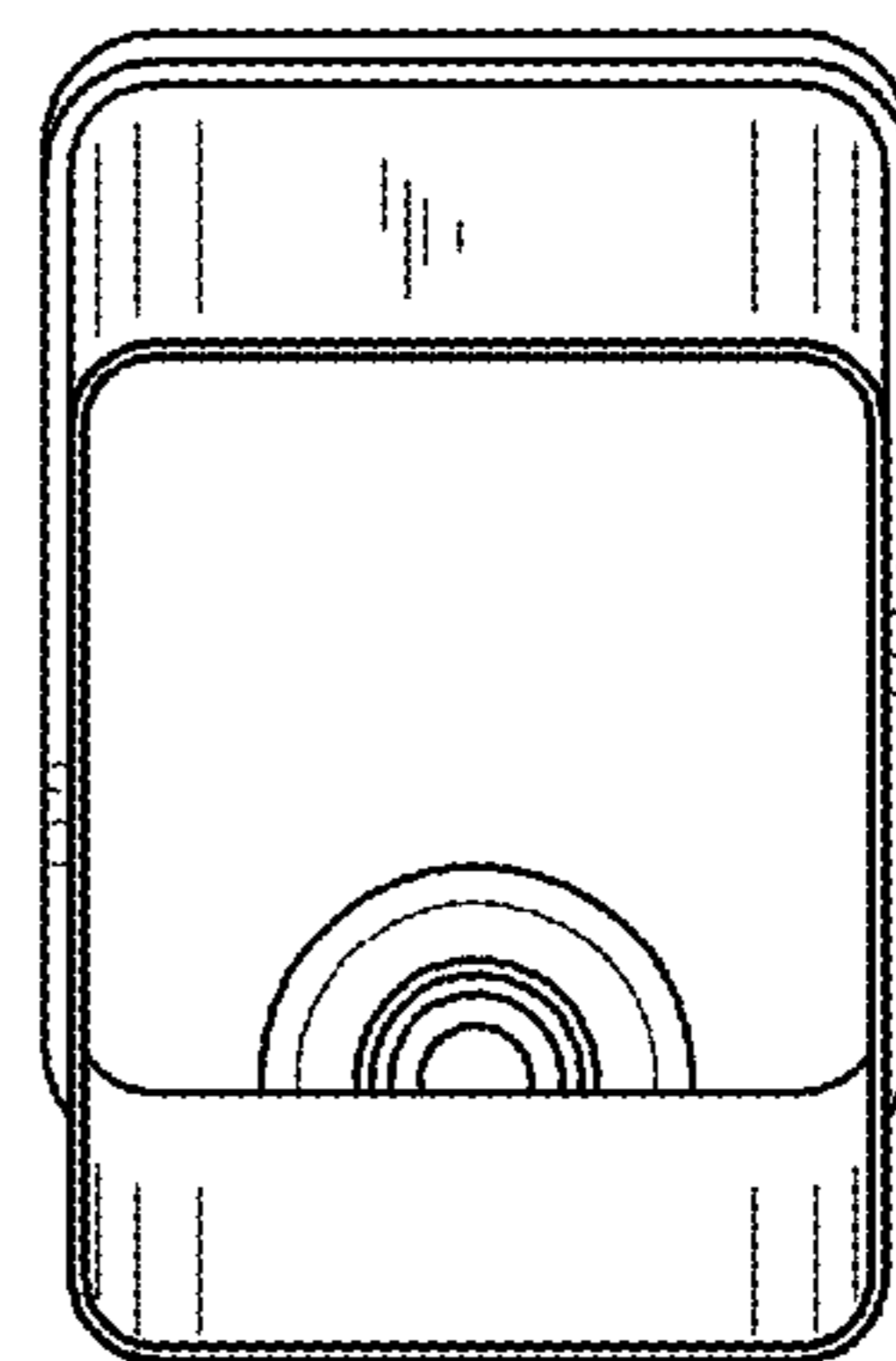


FIG. 5