



US00D796125S

(12) **United States Design Patent**
Gibson

(10) **Patent No.:** **US D796,125 S**

(45) **Date of Patent:** **** Aug. 29, 2017**

(54) **PET TOY**

(71) Applicant: **Heritage Charity Auctions & Awards, Inc., Cumming, GA (US)**

(72) Inventor: **Dennis Gibson, Cumming, GA (US)**

(73) Assignee: **HERITAGE CHARITY AUCTIONS & AWARDS, INC., Cumming, GA (US)**

(**) Term: **15 Years**

(21) Appl. No.: **29/546,013**

(22) Filed: **Nov. 18, 2015**

(51) **LOC (10) Cl.** **30-99**

(52) **U.S. Cl.**
USPC **D30/160**

(58) **Field of Classification Search**
USPC D30/160, 119; D24/212; D21/406, 713
CPC .. A01K 15/024; A01K 15/025; A01K 15/026;
A01K 15/027
See application file for complete search history.

(56) **References Cited**

U.S. PATENT DOCUMENTS

D286,942 S *	12/1986	Saladino	D1/101
D288,461 S *	2/1987	Hirai	D21/713
D288,462 S *	2/1987	Hirai	D21/713
D321,235 S *	10/1991	Weber	D21/789
D327,775 S *	7/1992	Turner	D19/82
5,228,687 A *	7/1993	Luecke	A63B 43/00 273/DIG. 20
D357,959 S *	5/1995	Moriyama	D21/709
D378,516 S *	3/1997	Smith	D14/403
D382,033 S *	8/1997	Moriyama	D21/709
D387,816 S *	12/1997	Krull	D21/406
D392,328 S *	3/1998	Johansson	D20/29
D400,440 S *	11/1998	Tucker	D9/451

D408,948 S *	4/1999	Huettner	D30/160
5,897,417 A *	4/1999	Grey	A63H 33/062 403/340
6,092,489 A *	7/2000	Huettner	A01K 15/026 119/707
D453,242 S *	1/2002	Kaplan	A01K 15/026 D30/160
D466,120 S *	11/2002	Hervig	D14/402
D478,947 S *	8/2003	Lu	D30/160
D497,457 S *	10/2004	Willinger	A01K 15/026 D30/160
D501,901 S *	2/2005	Yu	D21/713
D587,411 S *	2/2009	Rezny	D30/160
D587,862 S *	3/2009	Rutherford	D30/160
D606,122 S *	12/2009	Hobbs	D20/29
D642,640 S *	8/2011	Ellis	D21/713
D654,539 S *	2/2012	Hobbs	D19/95
D658,824 S *	5/2012	Viola	D30/160
8,357,062 B2 *	1/2013	Lim	A63B 39/00 473/613
D689,654 S *	9/2013	Oblack	D30/160
D711,988 S *	8/2014	Gubany	D21/709
D717,016 S *	11/2014	Osenga	D30/160
D764,159 S *	8/2016	Diamond	D3/10

(Continued)

Primary Examiner — Cathy Anne MacCormac
(74) *Attorney, Agent, or Firm* — Hill, Kertscher & Wharton, LLP; Gregory T. Ourada

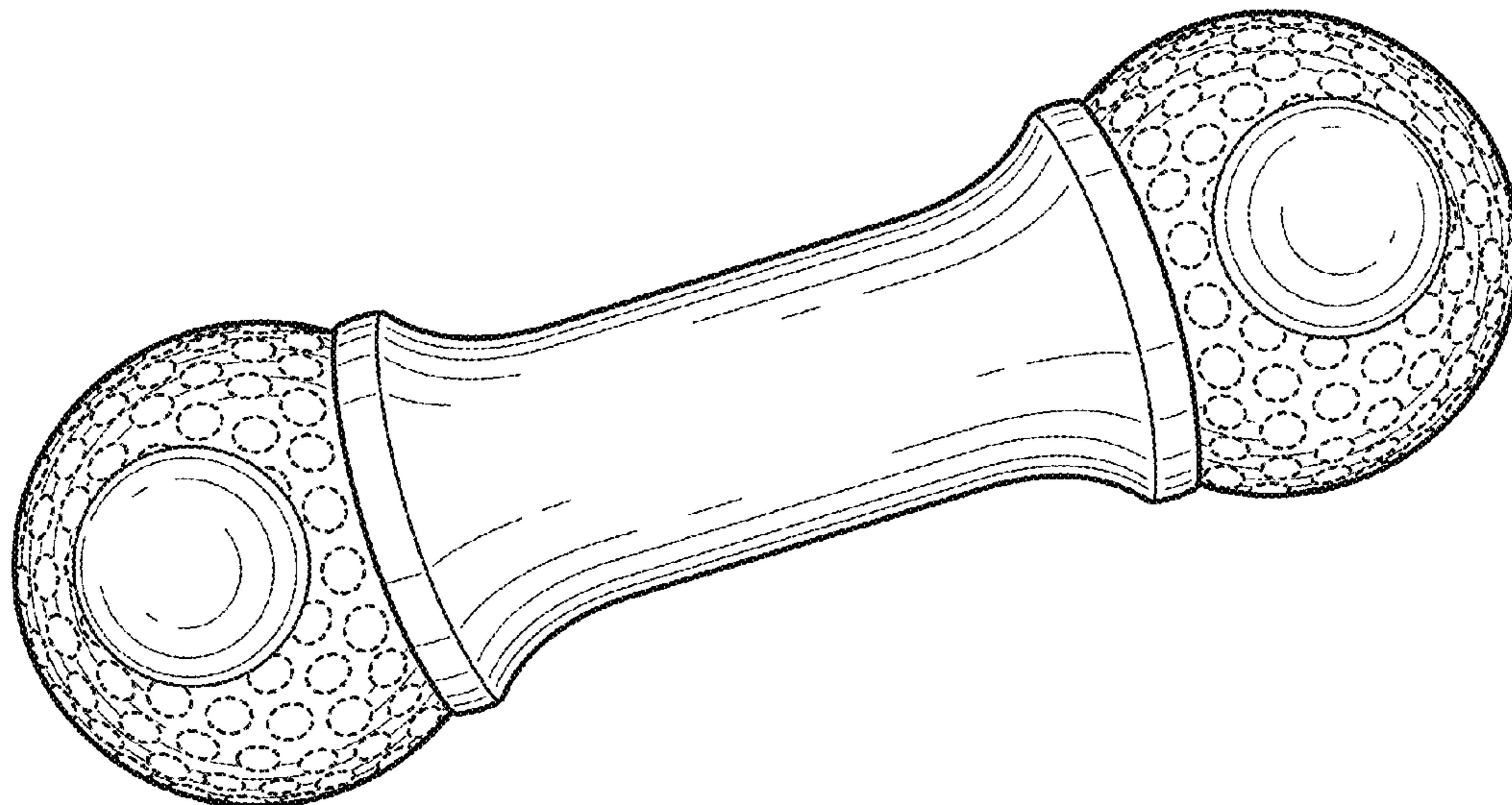
(57) **CLAIM**

The ornamental design for a pet toy, as shown and described.

DESCRIPTION

FIG. 1 is a front perspective view of the pet toy.
FIG. 2 is a left side elevation view of the pet toy.
FIG. 3 is a right side elevation view of the pet toy.
FIG. 4 is a front elevation view of the pet toy.
FIG. 5 is a back elevation view of the pet toy.
FIG. 6 is a top plan view of the pet toy; and,
FIG. 7 is a bottom plan view of the pet toy.

1 Claim, 3 Drawing Sheets



(56)

References Cited

U.S. PATENT DOCUMENTS

2012/0204809 A1* 8/2012 Axelrod A01K 15/025
119/709
2015/0090192 A1* 4/2015 Powers A01K 15/026
119/709

* cited by examiner

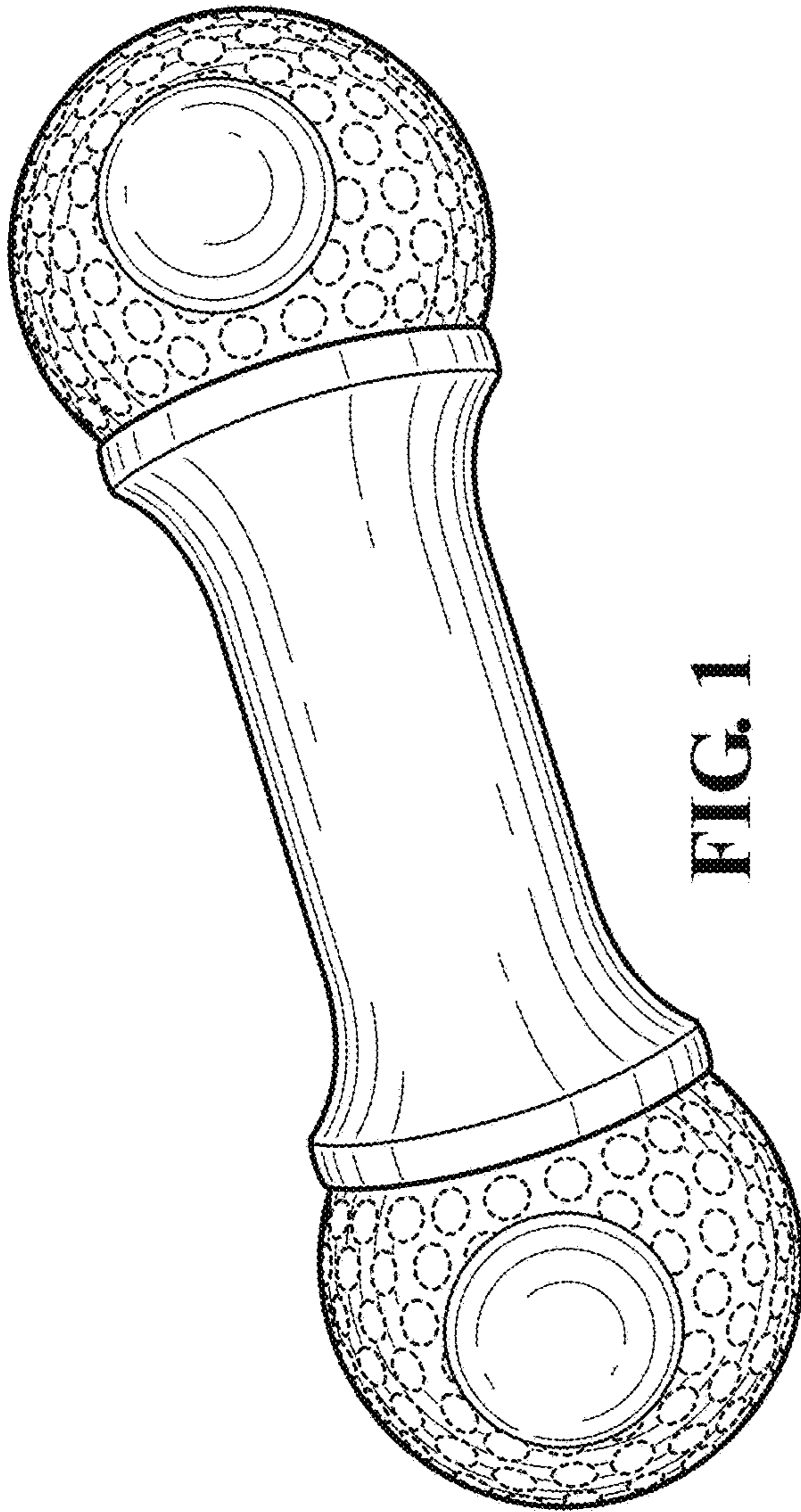


FIG. 1

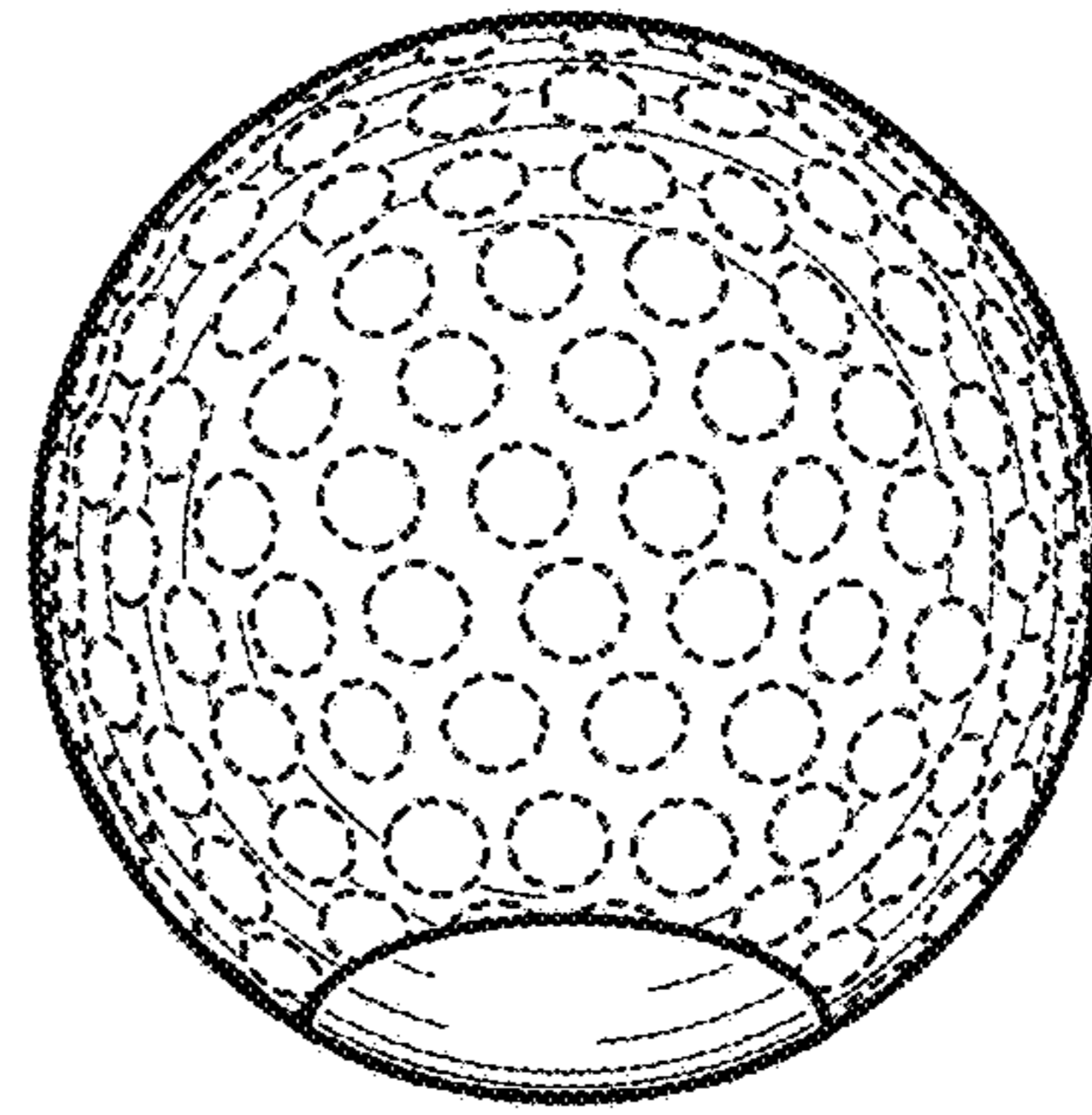


FIG. 3

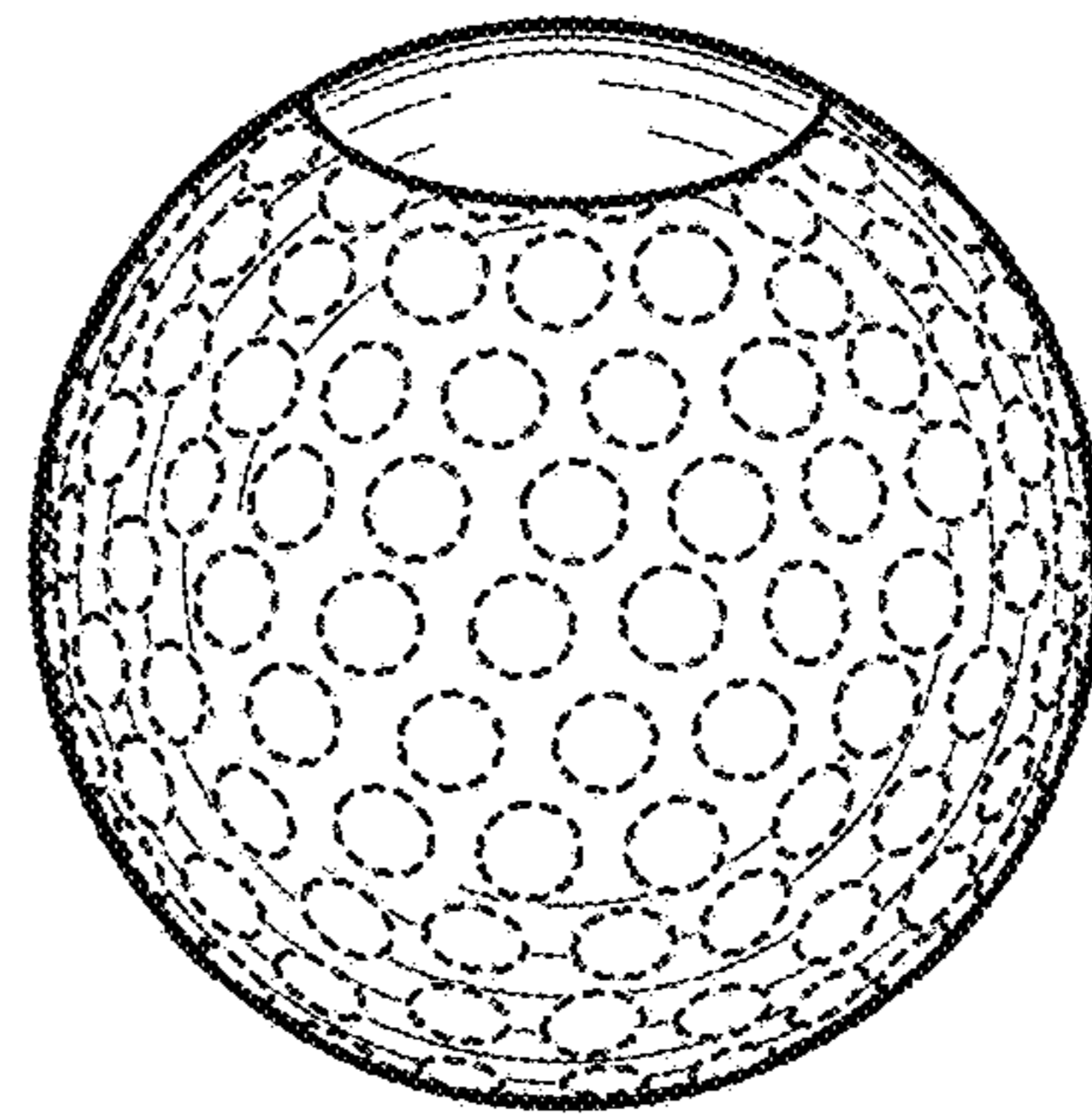


FIG. 2

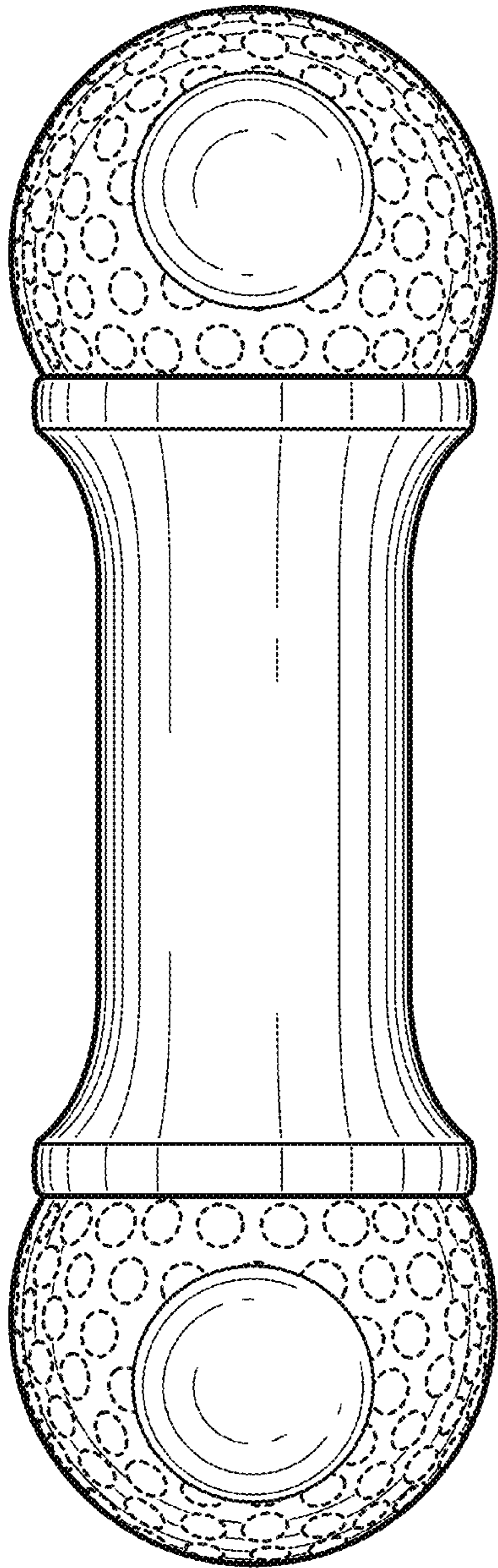


FIG. 4

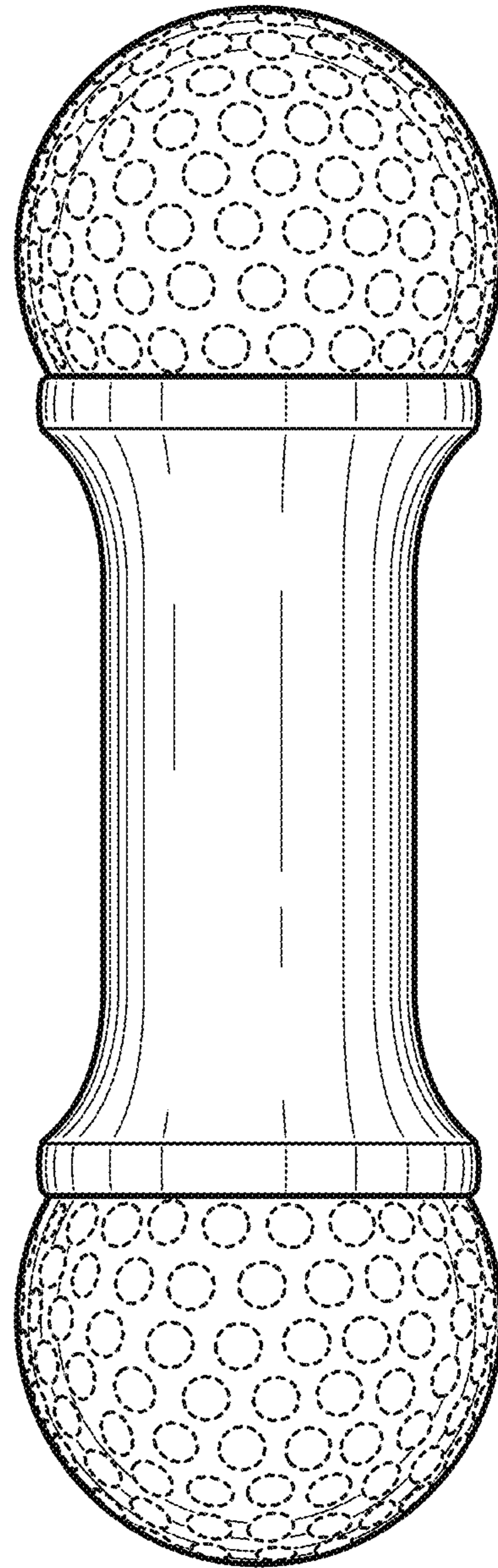


FIG. 5

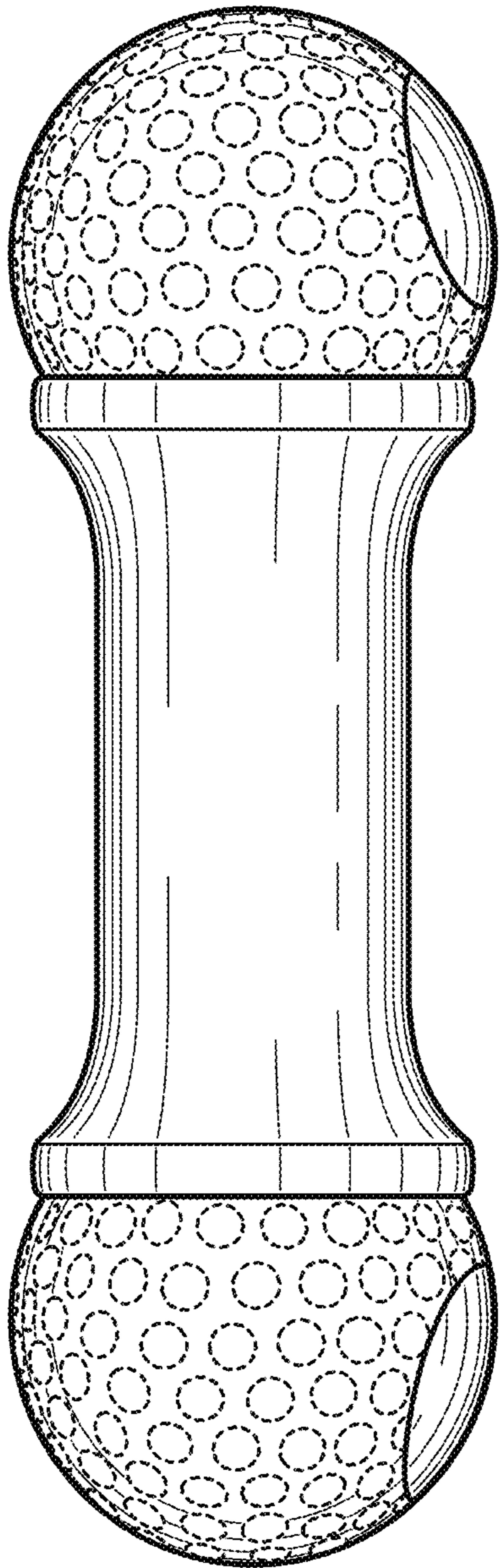


FIG. 6

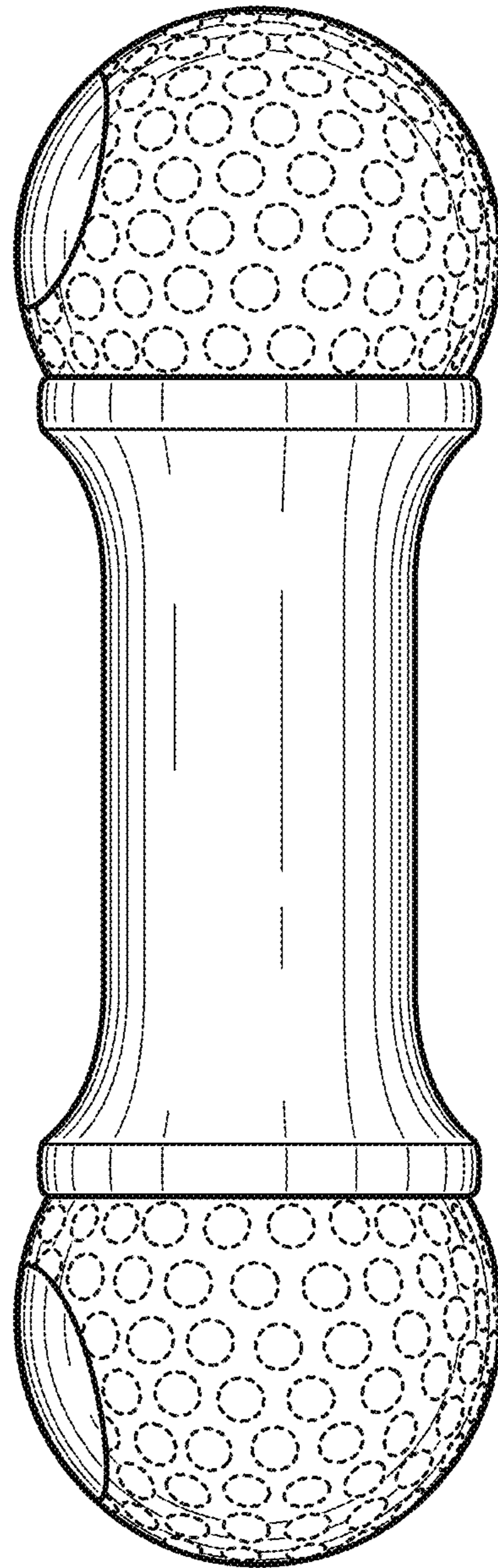


FIG. 7