



US00D796116S

(12) **United States Design Patent** (10) **Patent No.:** **US D796,116 S**  
**Watkins** (45) **Date of Patent:** **\*\* Aug. 29, 2017**

(54) **ELECTRIC COMB**

(71) Applicant: **Ruth Washington Watkins,**  
Winnsboro, LA (US)

(72) Inventor: **Ruth Washington Watkins,**  
Winnsboro, LA (US)

(\*\*) Term: **15 Years**

(21) Appl. No.: **29/551,869**

(22) Filed: **Jan. 18, 2016**

(51) **LOC (10) Cl.** ..... **28-03**

(52) **U.S. Cl.**  
USPC ..... **D28/24**

(58) **Field of Classification Search**

USPC ... D28/7, 10, 11, 12, 13, 14, 15, 16, 17, 18,  
D28/19, 20, 21, 24, 25, 28, 30, 31, 35,  
D28/38, 54.1; D23/213; D8/30, 313,  
D8/315, 14; D4/138, 114, 116, 117, 118,  
D4/129, 136; D2/617, 618; D30/159,  
D30/158  
CPC ..... A45D 20/00; A45D 20/04; A45D  
20/08–20/122; A45D 20/124; A45D 2/46;  
A45D 8/40; A45D 19/18; A45D 19/00;  
A45D 19/0008; A45D 19/02; A45D  
24/22; A45D 24/24; A45D 24/26; A45D  
24/28; A45D 24/34; A45D 24/36; A45D  
2024/345; A45D 1/00; A45D 1/04; A45D  
1/06; A45D 1/14; A45D 1/18; A45D  
1/28; A45D 2/00; A45D 2/001; A45D  
2/002; A45D 2/40–2/42; A45D 2/44;  
A45D 24/00; A45D 24/007; A45D 24/02;  
A45D 24/04; A45D 24/08; A45D 24/10;  
A45D 24/12; A45D 24/42; A45D 20/48;  
A45D 20/50; A45D 2020/126; A45D  
2020/128; A45D 2001/002–2001/008;  
A41D 19/055; A41D 19/02; A41D 19/00;  
A41D 19/01529

See application file for complete search history.

(56) **References Cited**

U.S. PATENT DOCUMENTS

1,127,496 A \* 2/1915 North ..... A45D 19/02  
132/148  
1,147,681 A \* 7/1915 Maley ..... A45D 24/22  
132/110  
1,282,070 A \* 10/1918 Green et al. .... A45D 20/48  
132/118  
1,858,790 A \* 5/1932 Schneider ..... B26B 3/03  
132/150  
D209,561 S \* 12/1967 Cournoyer ..... D28/30  
3,646,945 A \* 3/1972 Romani ..... A45D 24/04  
132/150

(Continued)

OTHER PUBLICATIONS

Straight Fast Hair Straightening Comb, posted at youtube.com,  
posted on Aug. 4, 2015, [online], [site visited Jan. 6, 2017].  
Available from Internet, <URL: <https://www.youtube.com/watch?v=PGXnnooIEFso>>.\*

*Primary Examiner* — Catherine Tuttle

*Assistant Examiner* — Mary Malley

(74) *Attorney, Agent, or Firm* — Dunlap Bennett &  
Ludwig PLLC

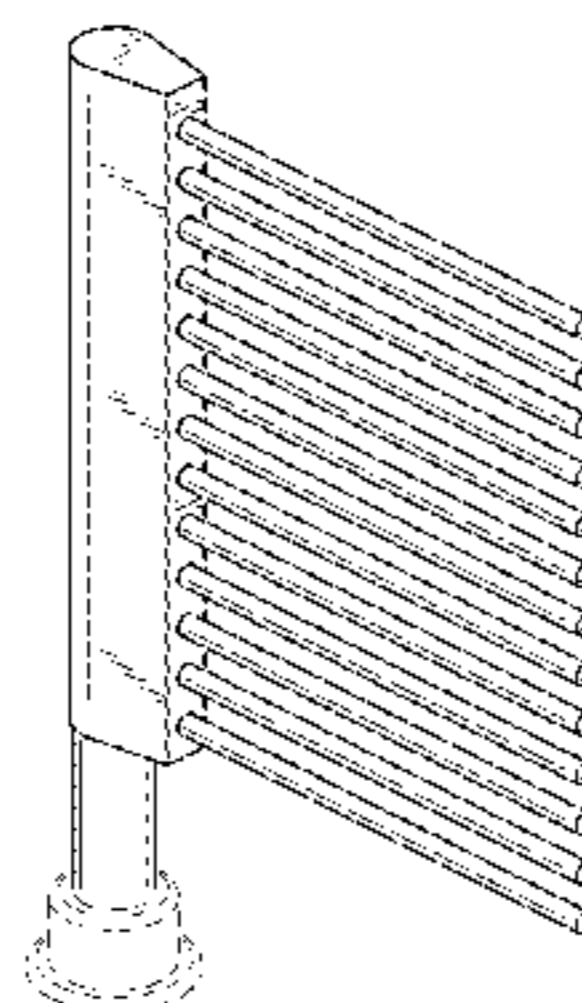
(57) **CLAIM**

What is claimed is the ornamental design for an electric  
comb, as shown and described.

**DESCRIPTION**

FIG. 1 is a front perspective view of the electric comb.  
FIG. 2 is a front elevation view of the electric comb, the rear  
elevation view being a mirror image thereof.  
FIG. 3 is a left side elevation view thereof.  
FIG. 4 is a right side elevation view thereof.  
FIG. 5 is a top plan view thereof; and,  
FIG. 6 is a bottom plan view thereof.  
The broken lines shown in the drawings illustrate portions of  
the electric comb that form no part of the claimed design.

**1 Claim, 3 Drawing Sheets**



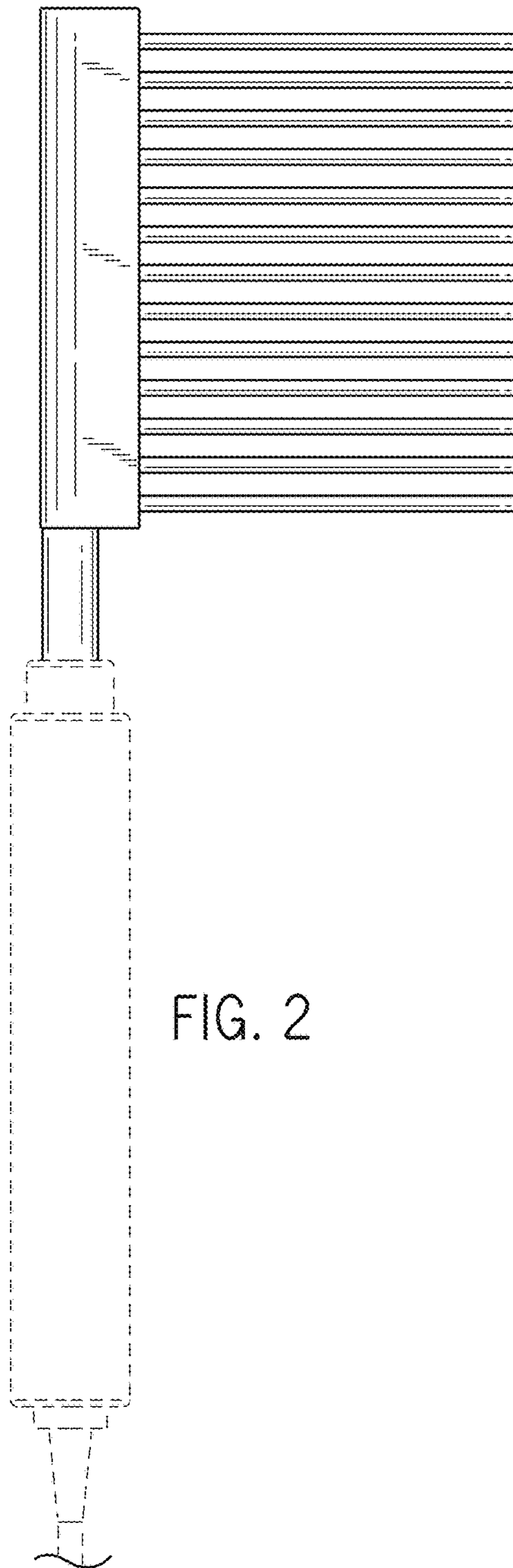
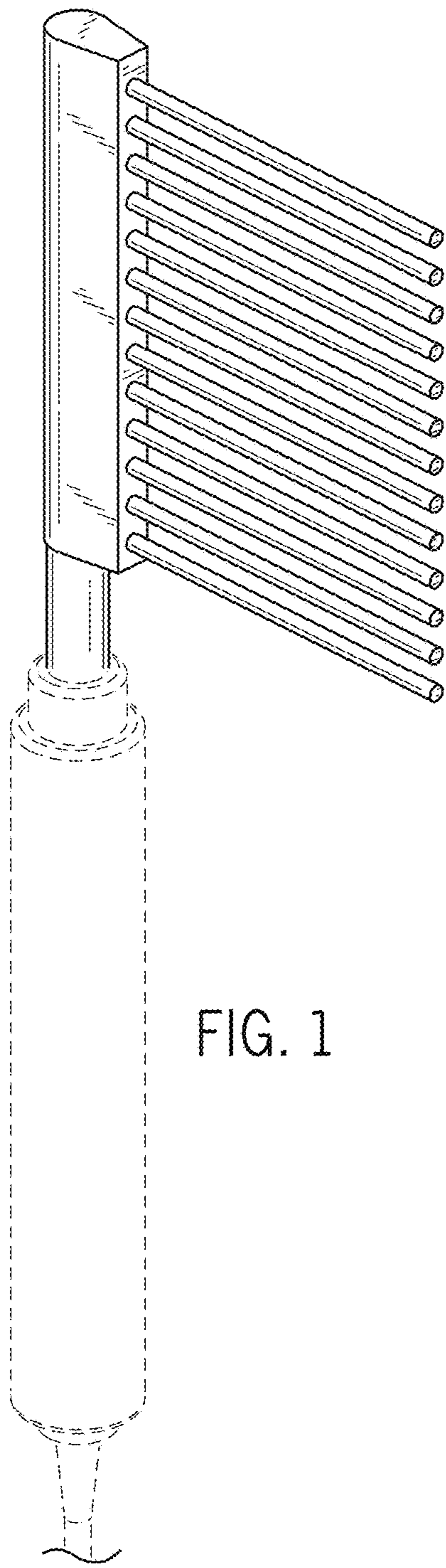
(56)

**References Cited**

U.S. PATENT DOCUMENTS

D226,876	S *	5/1973	Morrow	.....	D28/23
D253,850	S *	1/1980	Haselrig	.....	D28/25
4,213,473	A *	7/1980	Dawson	.....	A45D 24/22 132/113
D259,666	S *	6/1981	Williams	.....	D28/22
D387,484	S *	12/1997	Hong	.....	D28/25
D445,969	S *	7/2001	Lorenzo	.....	D28/25
D472,346	S *	3/2003	Lee	.....	D28/24
2010/0116283	A1 *	5/2010	Sabato	.....	A45D 24/22 132/116
2010/0186762	A1 *	7/2010	Spagnuolo	.....	A45D 19/0008 132/115
2010/0186766	A1 *	7/2010	Torii	.....	A45D 40/262 132/218

\* cited by examiner



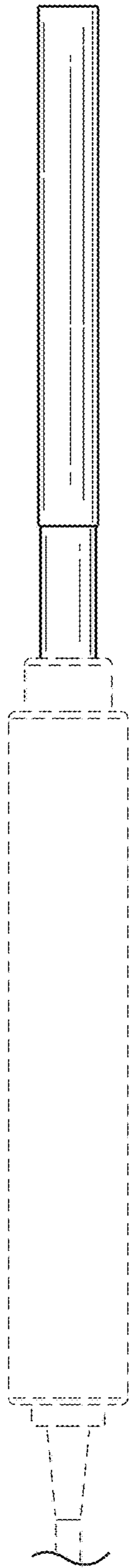


FIG. 3

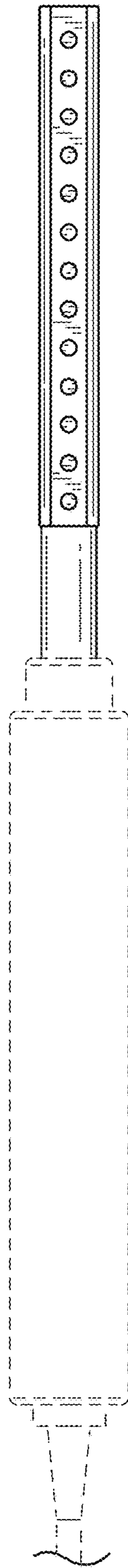


FIG. 4

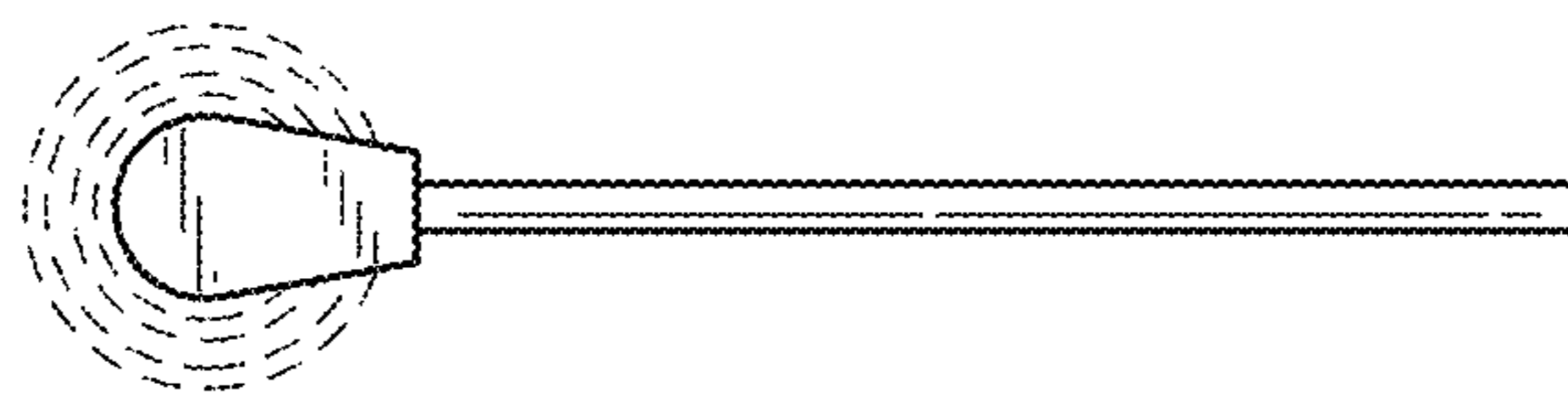


FIG. 5

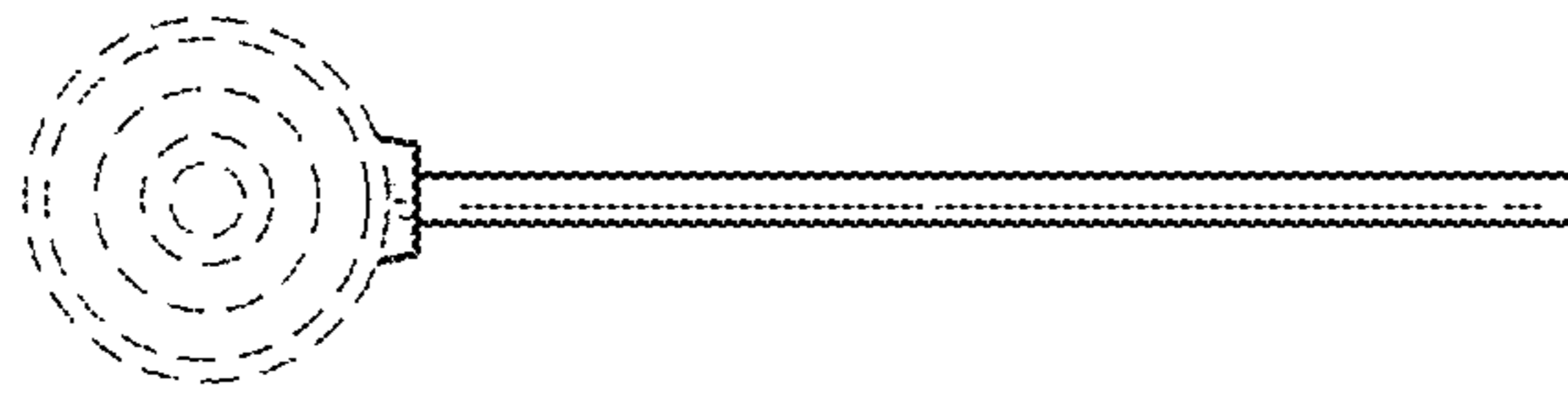


FIG. 6