

US00D796115S

(12) **United States Design Patent** (10) **Patent No.:** **US D796,115 S**
Kuitto et al. (45) **Date of Patent:** **** Aug. 29, 2017**

(54) **HAIR FIBER SPRAYER**
(71) Applicant: **AM-Tuotanto Oy**, Kirkkonummi (FI)
(72) Inventors: **Janne Kuitto**, Helsinki (FI); **Jarmo Kuitto**, Lahti (FI)
(73) Assignee: **AM-TUOTANTO OY**, Kirkkonummi (FI)
(**) Term: **15 Years**
(21) Appl. No.: **29/537,045**
(22) Filed: **Aug. 21, 2015**

D555,507 S * 11/2007 Presche D9/690
D569,724 S * 5/2008 Bloc D9/448
D599,215 S * 9/2009 Mulhauser D9/724
7,841,494 B2 * 11/2010 Batinkoff B05B 11/062
222/207
D638,306 S * 5/2011 Havrileck D9/688
8,172,115 B1 * 5/2012 Mulhauser B05B 11/062
222/209
D668,552 S * 10/2012 Wisniewski D9/689
D753,811 S * 4/2016 Karkkainen D24/108
D771,491 S * 11/2016 Smolinski D9/448
2002/0020421 A1 * 2/2002 Vayrette A45D 19/02
132/114
2004/0262340 A1 * 12/2004 Kress A45D 19/16
222/633
2005/0056275 A1 * 3/2005 Ingle A61M 15/0028
128/200.23

(Continued)

(30) **Foreign Application Priority Data**

Feb. 25, 2015 (EM) 002640714-0002

(51) **LOC (10) Cl.** **28-03**
(52) **U.S. Cl.**
USPC **D28/10**; D9/690; D9/688
(58) **Field of Classification Search**
USPC D28/9, 10; D9/682, 686, 688, 690, 724
CPC B05B 11/062; B05B 11/061; A45D 33/05;
A45D 33/26; A45D 19/16; A45D 19/02
See application file for complete search history.

(56) **References Cited**

U.S. PATENT DOCUMENTS

2,865,370 A * 12/1958 Gattone A61M 31/00
128/200.23
D234,247 S * 2/1975 Shafer D9/690
D234,248 S * 2/1975 Shafer D9/690
4,880,161 A * 11/1989 Wright B05B 11/3087
222/190
D402,193 S * 12/1998 Bell D9/693
D480,960 S * 10/2003 Gray D9/741
D519,372 S * 4/2006 Hsieh D6/542
7,140,522 B2 * 11/2006 Kress A45D 19/16
132/201
D534,425 S * 1/2007 Kuo D6/542

OTHER PUBLICATIONS

Hair loss Camouflage:Toppik Micro Fibers, Orange County Hair Restoration Center, posted Dec. 14, 2011, 2 pages.*

Primary Examiner — Jennifer Rivard

(74) *Attorney, Agent, or Firm* — Hoffman & Baron, LLP

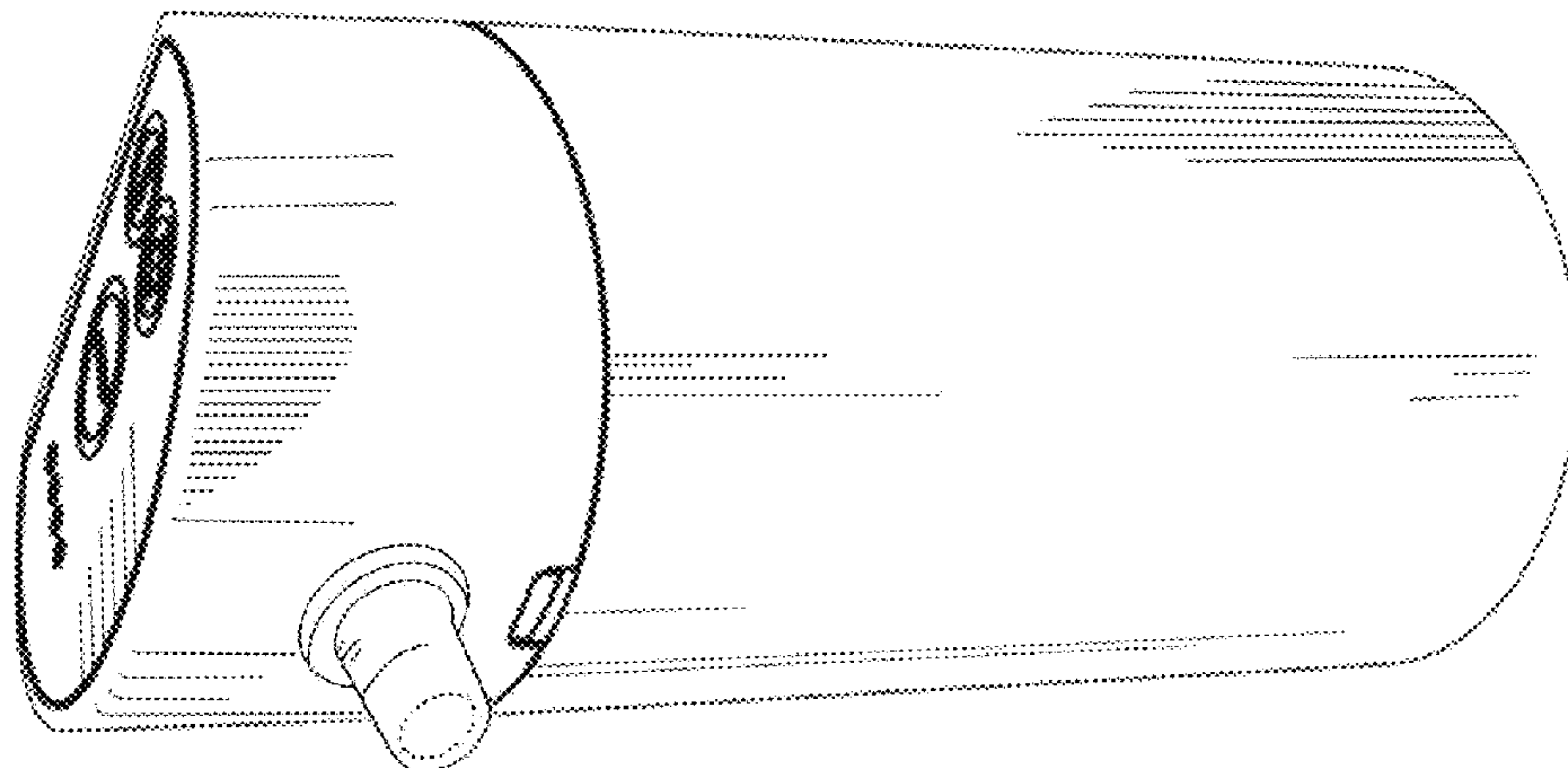
(57) **CLAIM**

The ornamental design for a hair fiber sprayer, as shown and described.

DESCRIPTION

FIG. 1 is an isometric view of the hair fiber sprayer; FIG. 2 is a side view of the hair fiber sprayer; FIG. 3 is a bottom view of the hair fiber sprayer; FIG. 4 is a top view of the hair fiber sprayer; FIG. 5 is a first end view of the hair fiber sprayer; and, FIG. 6 is a second end view of the hair fiber sprayer. The broken lines shown along the bottom of the sprayer and tip of the nozzle illustrate portions of the article and form no part of the claimed design.

1 Claim, 6 Drawing Sheets



(56)

References Cited

U.S. PATENT DOCUMENTS

2005/0205087 A1* 9/2005 Kablik A61K 31/74
128/200.23
2009/0199860 A1* 8/2009 Kress A45D 19/16
132/201
2015/0201732 A1* 7/2015 Kakon A45D 33/02
222/333
2016/0243566 A1* 8/2016 Martiskainen B05B 7/2416

* cited by examiner

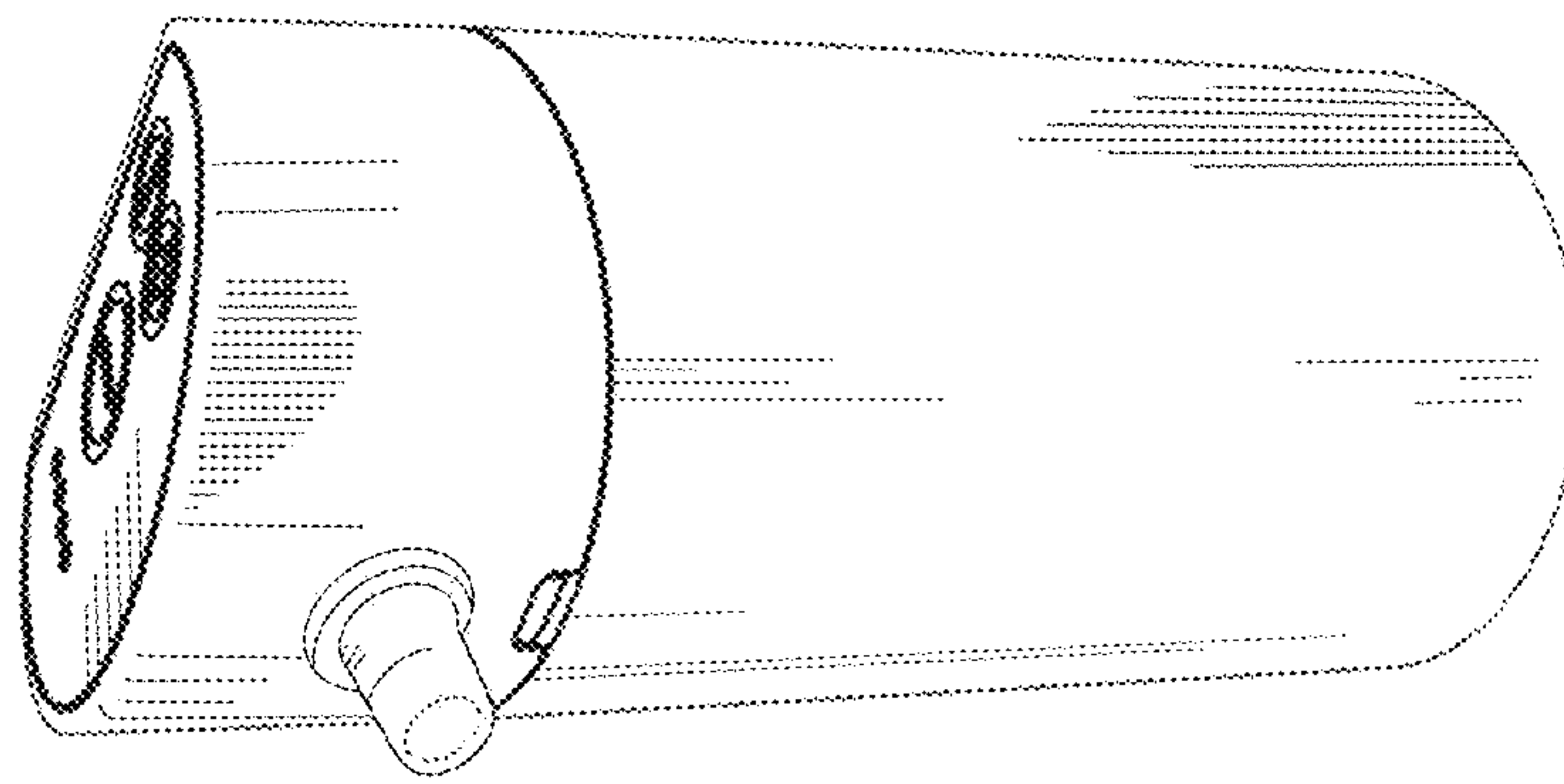


FIG. 1

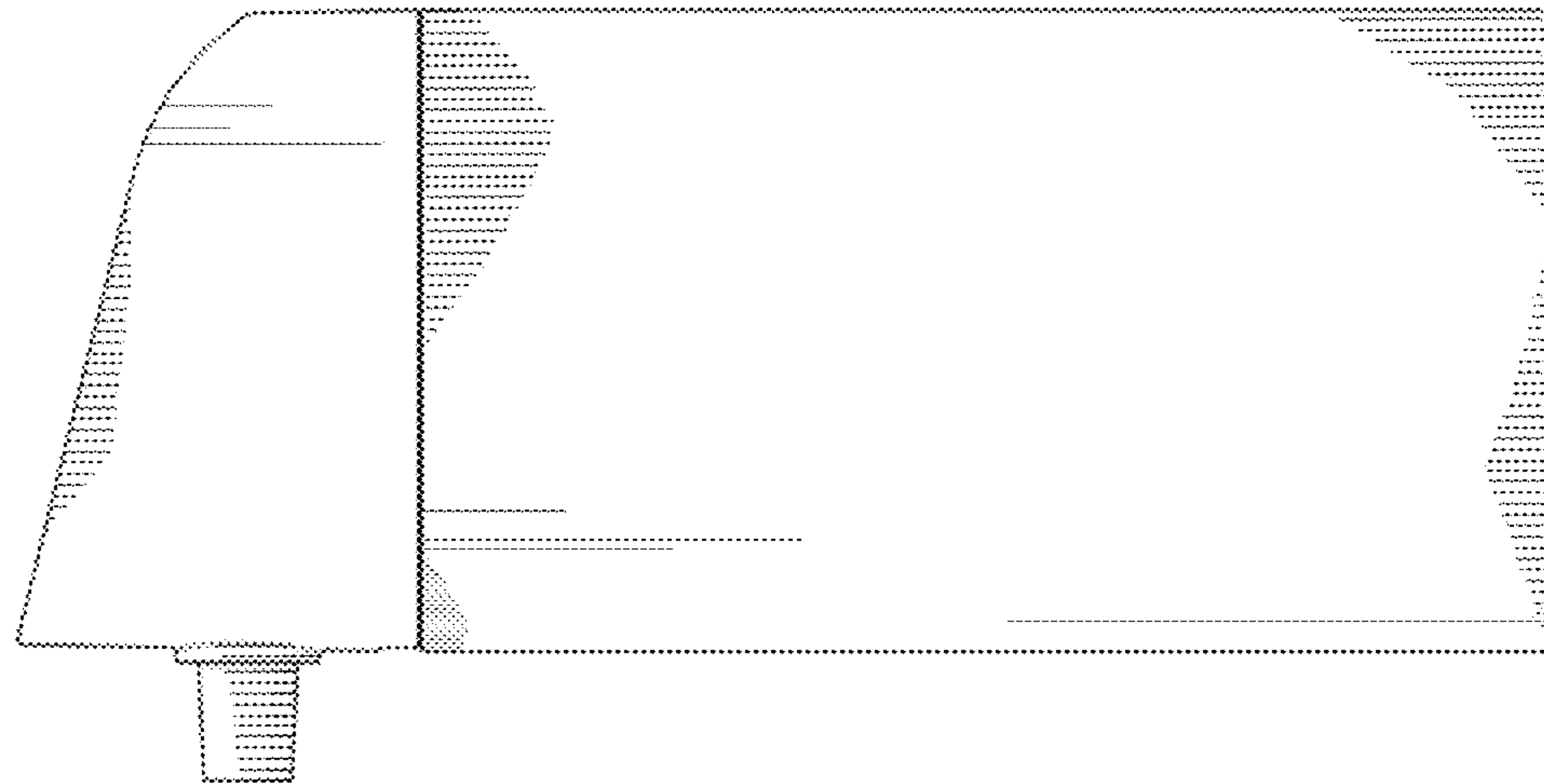


FIG. 2

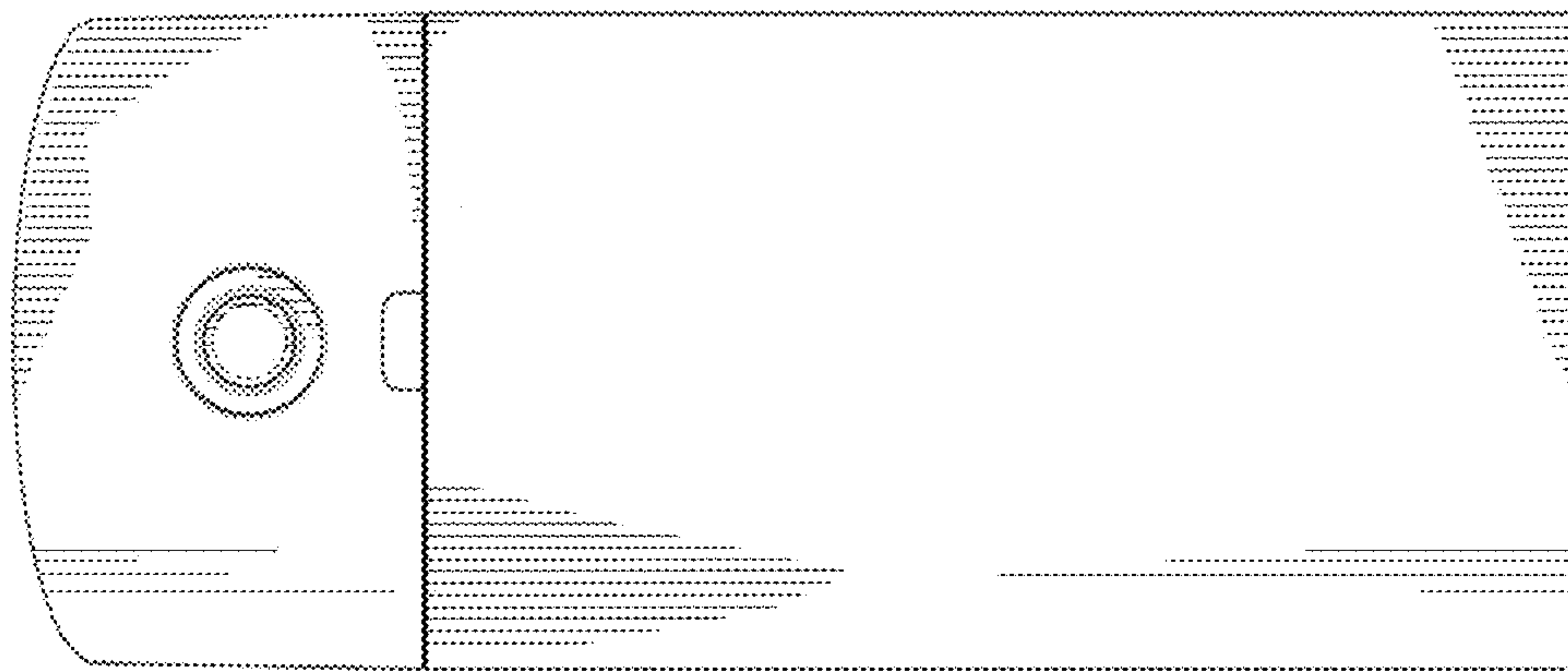


FIG. 3



FIG. 4

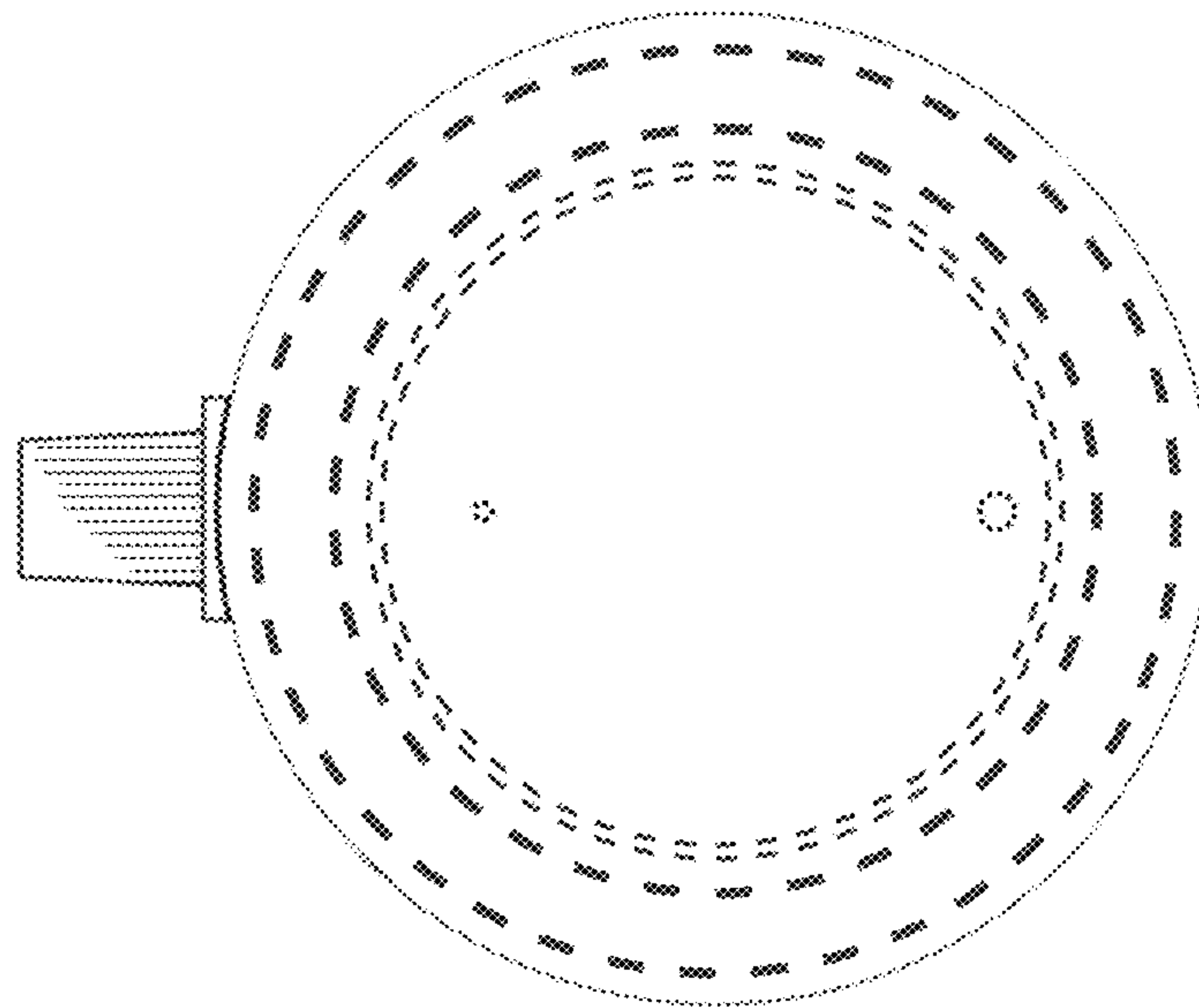


FIG. 5

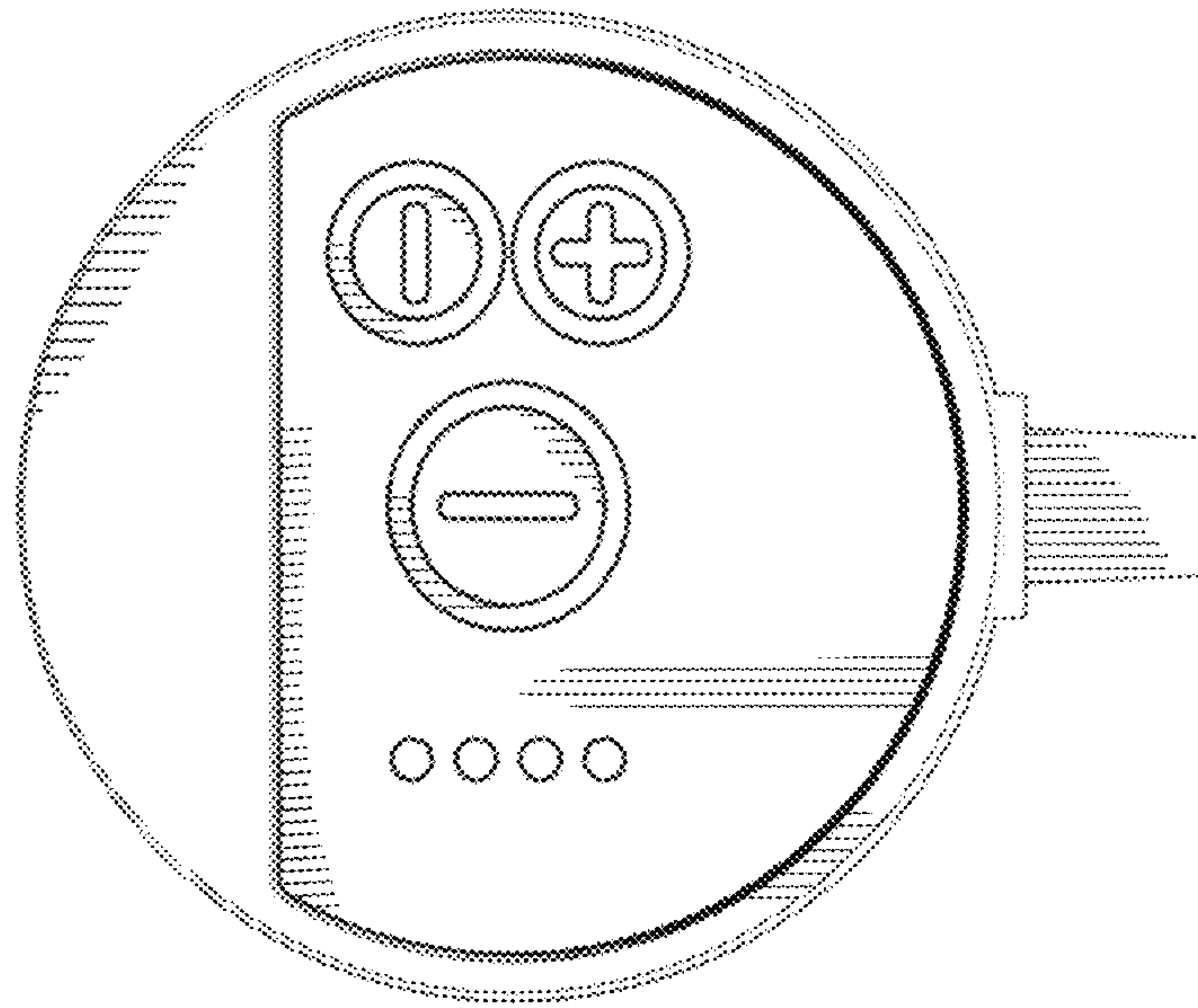


FIG. 6