



US00D796110S

(12) **United States Design Patent** (10) **Patent No.:** **US D796,110 S**
Klus (45) **Date of Patent:** **** Aug. 29, 2017**

(54) **HOUSING FOR LED-BASED LIGHTING APPARATUS**

(71) Applicant: **Sylwester Klus**, Kamionka (PL)

(72) Inventor: **Sylwester Klus**, Kamionka (PL)

(**) Term: **15 Years**

(21) Appl. No.: **29/545,559**

(22) Filed: **Nov. 13, 2015**

(51) **LOC (10) Cl.** **26-99**

(52) **U.S. Cl.**
USPC **D26/138**

(58) **Field of Classification Search**

USPC D26/26-28, 60-66, 72-76, 81-82, 106,
D26/109, 113, 118, 138-139, 142;
D13/107, 108, 110, 123, 133, 135, 137,
D13/138, 199; 174/53-54, 101;
362/269, 274; D8/377; D25/119-122
CPC . H01R 25/14; H01R 25/00; F16J 1/16; H01L
27/14618; H01L 27/14601; H01L
27/14634; G06F 1/1637; E04C
2003/0408; E04C 2003/0421; E04C
2003/043; E04C 2003/0434; E04C
2003/0465

See application file for complete search history.

(56) **References Cited**

U.S. PATENT DOCUMENTS

3,004,640 A * 10/1961 Macomber E04C 3/07
105/422
3,029,914 A * 4/1962 Macomber E04C 3/07
52/843
3,238,687 A * 3/1966 Tisbo E04F 13/18
52/520
4,011,696 A * 3/1977 Klein A47H 1/04
16/87.4 R
D252,285 S * 7/1979 Brockway D25/119

D252,793 S * 9/1979 Toder D25/119
D262,404 S * 12/1981 Bittner D25/119
D268,809 S * 5/1983 Marontate D25/121
D306,080 S * 2/1990 Whitney D25/119
D318,177 S * 7/1991 Winter D25/119
D325,641 S * 4/1992 Dallaire D25/121
D335,624 S * 5/1993 Siener D25/123
D412,756 S * 8/1999 McGee D25/121
D423,115 S * 4/2000 Rothschild D25/121
6,189,273 B1 * 2/2001 Larson E04F 13/06
52/255
D572,375 S * 7/2008 Morton D25/121
D623,342 S * 9/2010 Klu D26/138
D623,343 S * 9/2010 Klus D26/138
D625,588 S * 10/2010 Norris D8/382
D649,683 S * 11/2011 Trzesniowski D26/138
D649,686 S * 11/2011 Trzesniowski D26/138
D662,255 S * 6/2012 Klu D26/138

(Continued)

Primary Examiner — Garth Rademaker

Assistant Examiner — Christopher J Matthews

(74) *Attorney, Agent, or Firm* — Mark Terry

(57) **CLAIM**

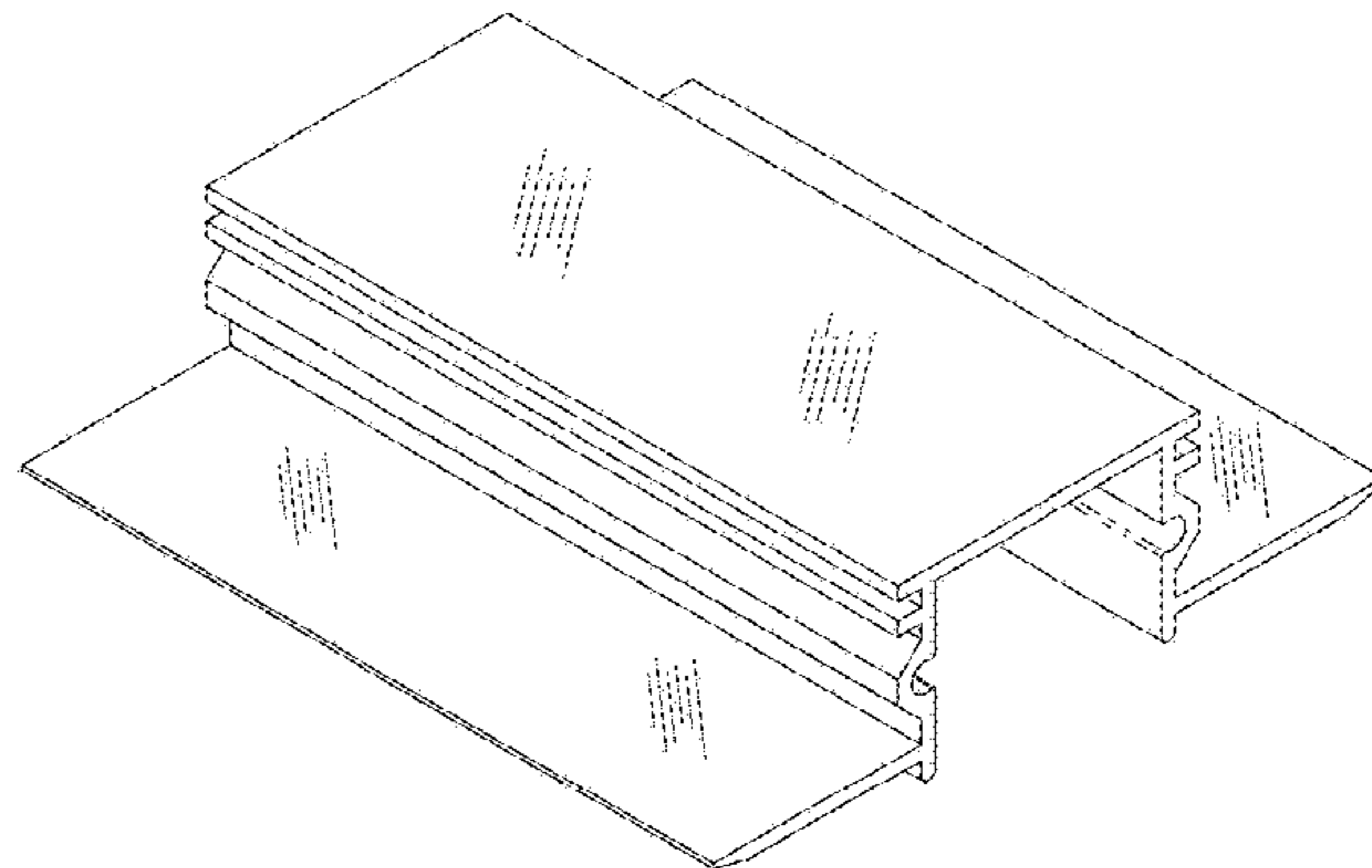
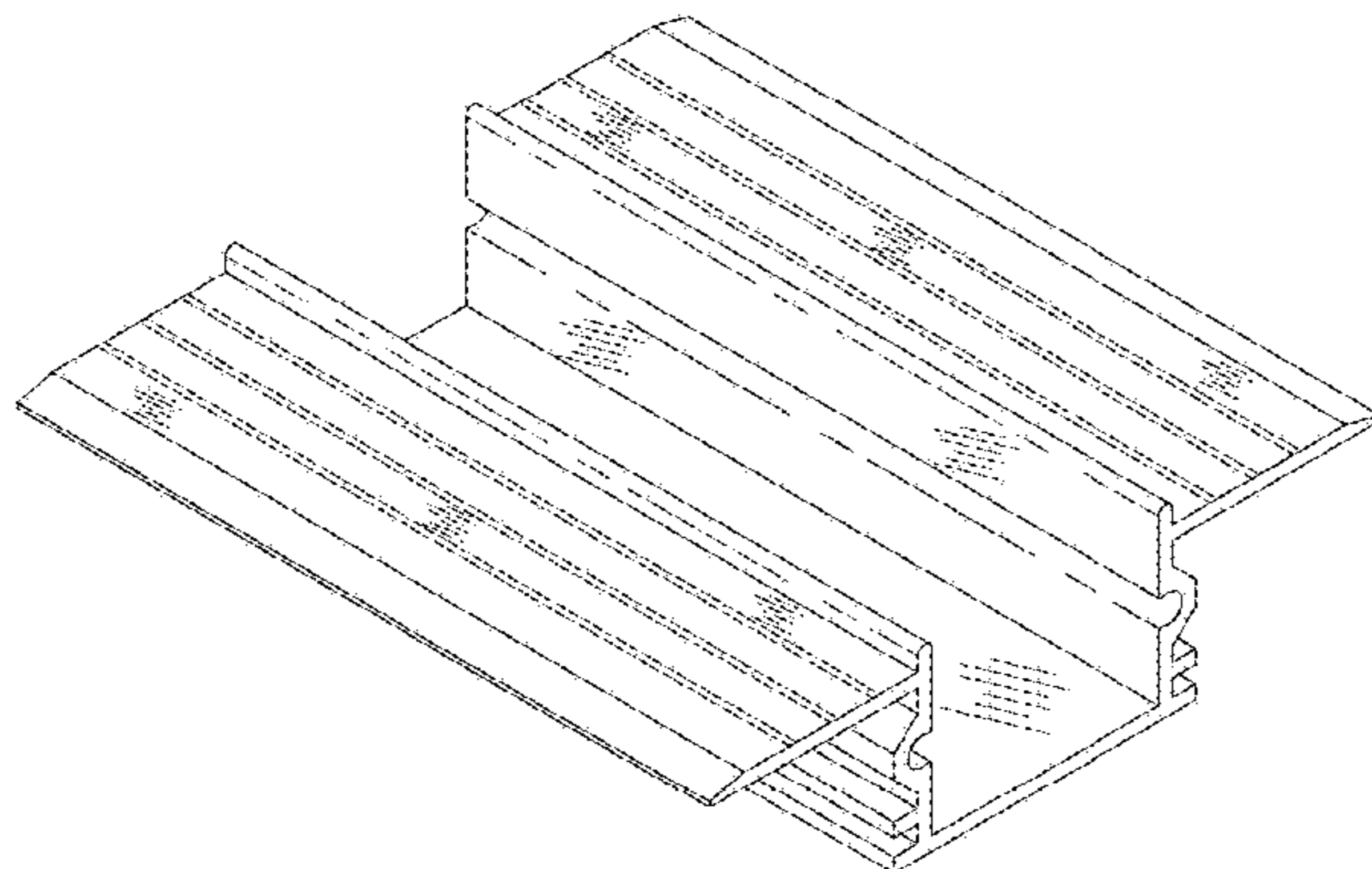
The ornamental design for a housing for an LED-based lighting apparatus, as shown and described.

DESCRIPTION

FIG. 1 is a top perspective view of a housing for an LED-based lighting apparatus, showing the new design; FIG. 2 is a bottom perspective view thereof; FIG. 3 is a front view thereof; FIG. 4 is a right side view thereof; FIG. 5 is rear view thereof; FIG. 6 is a bottom view thereof; FIG. 7 is another front view thereof; and, FIG. 8 is a top view thereof.

The uniformly dashed lines shown in the drawings illustrate portions of the housing for an LED-based lighting apparatus which form no part of the claimed design.

1 Claim, 4 Drawing Sheets



(56)

References Cited

U.S. PATENT DOCUMENTS

D711,021 S *	8/2014	Singh	D25/119
D724,257 S *	3/2015	Klus	D26/141
D724,258 S *	3/2015	Klus	D26/141
D724,261 S *	3/2015	Klus	D26/141
D736,595 S *	8/2015	Moore	D13/102
D742,540 S *	11/2015	Singh	D25/119
D742,543 S *	11/2015	Singh	D25/119
D744,690 S *	12/2015	Boyer	D26/76
D752,422 S *	3/2016	Veilleux	D8/377
2009/0207602 A1 *	8/2009	Reed	F21S 2/005 362/225

* cited by examiner

Fig. 1

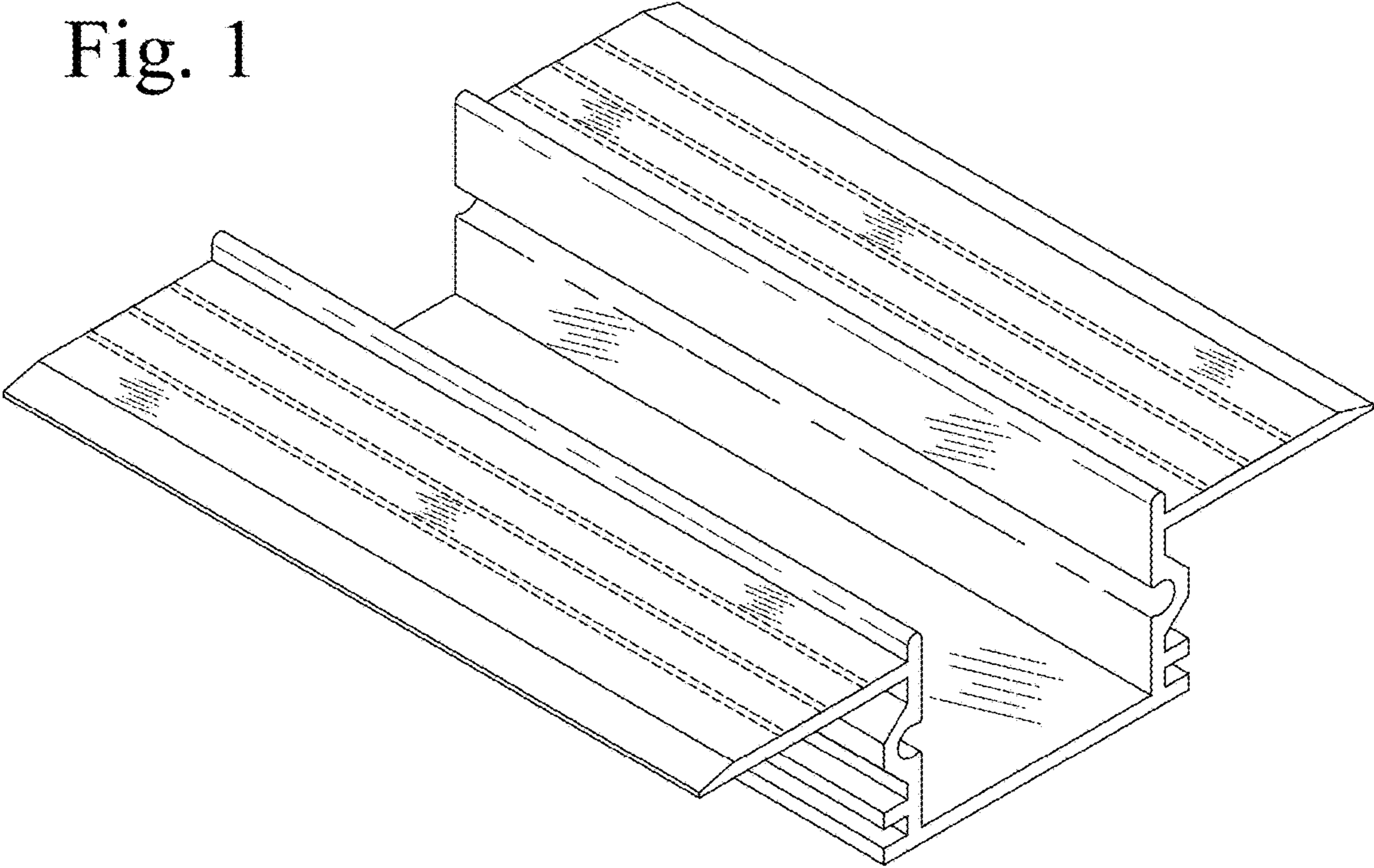


Fig. 2

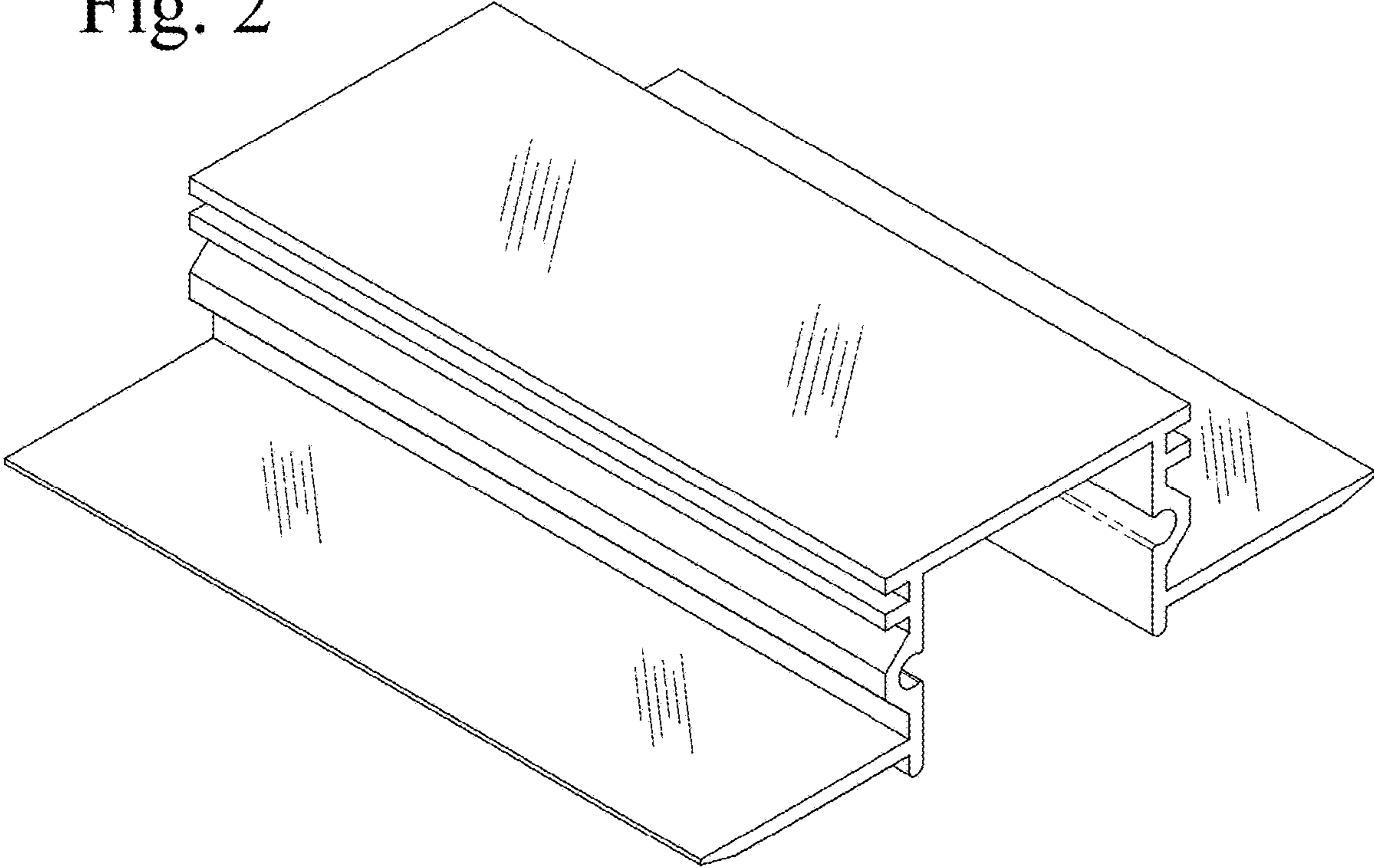


Fig. 3

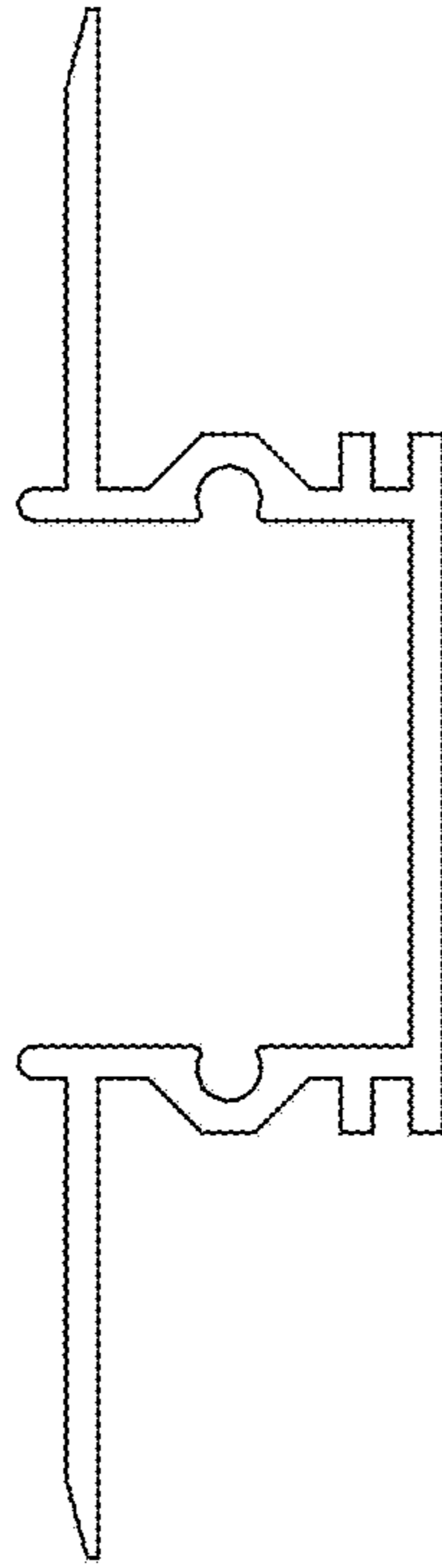


Fig. 4

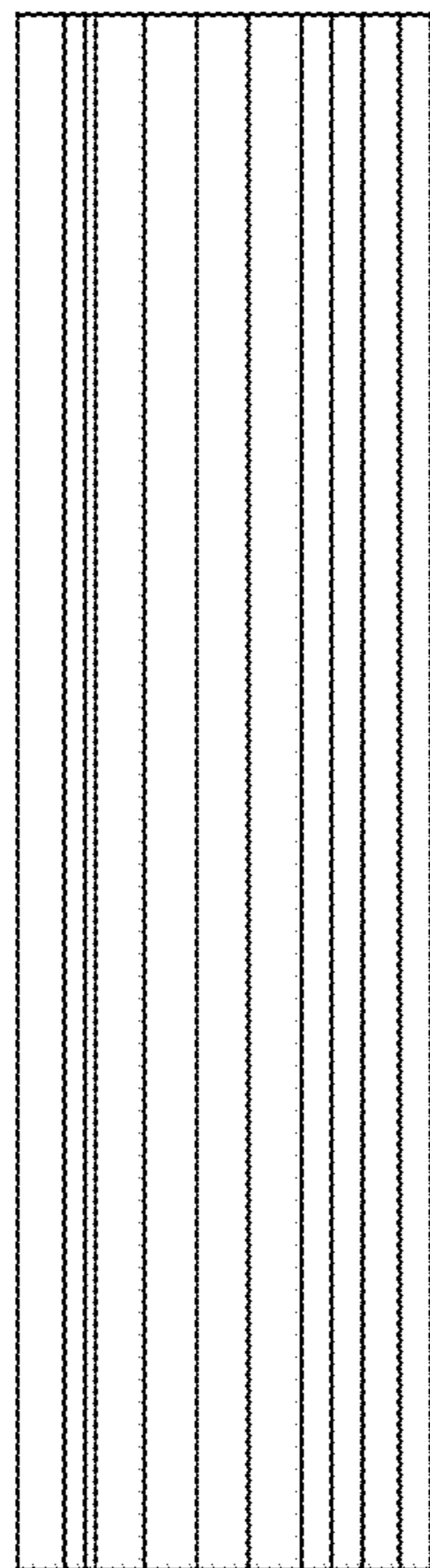


Fig. 5

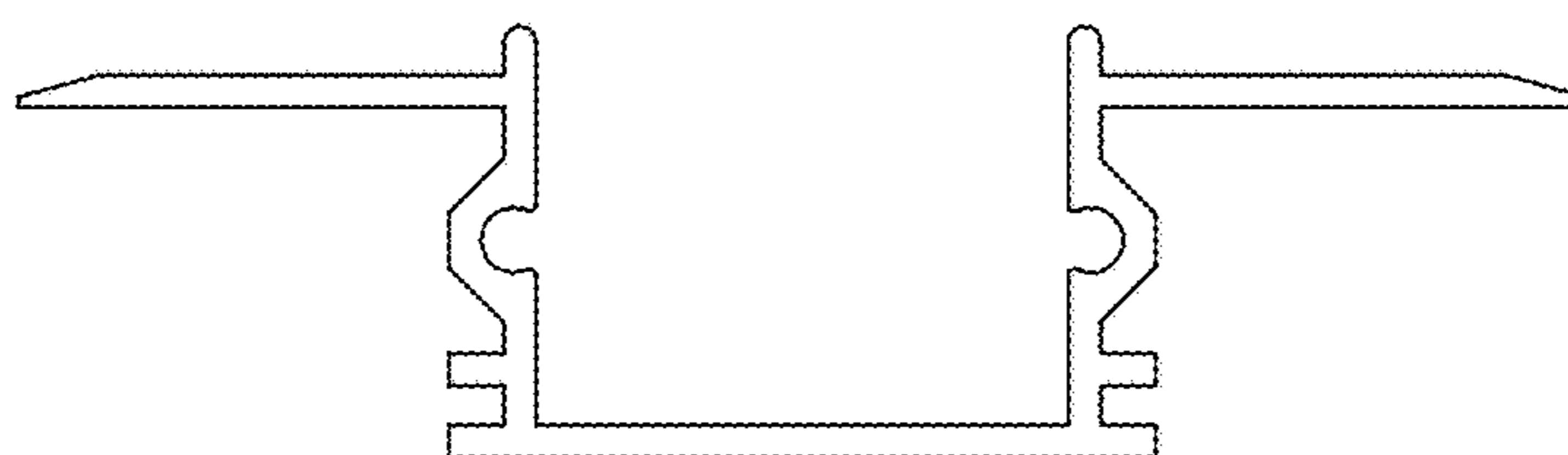


Fig. 6

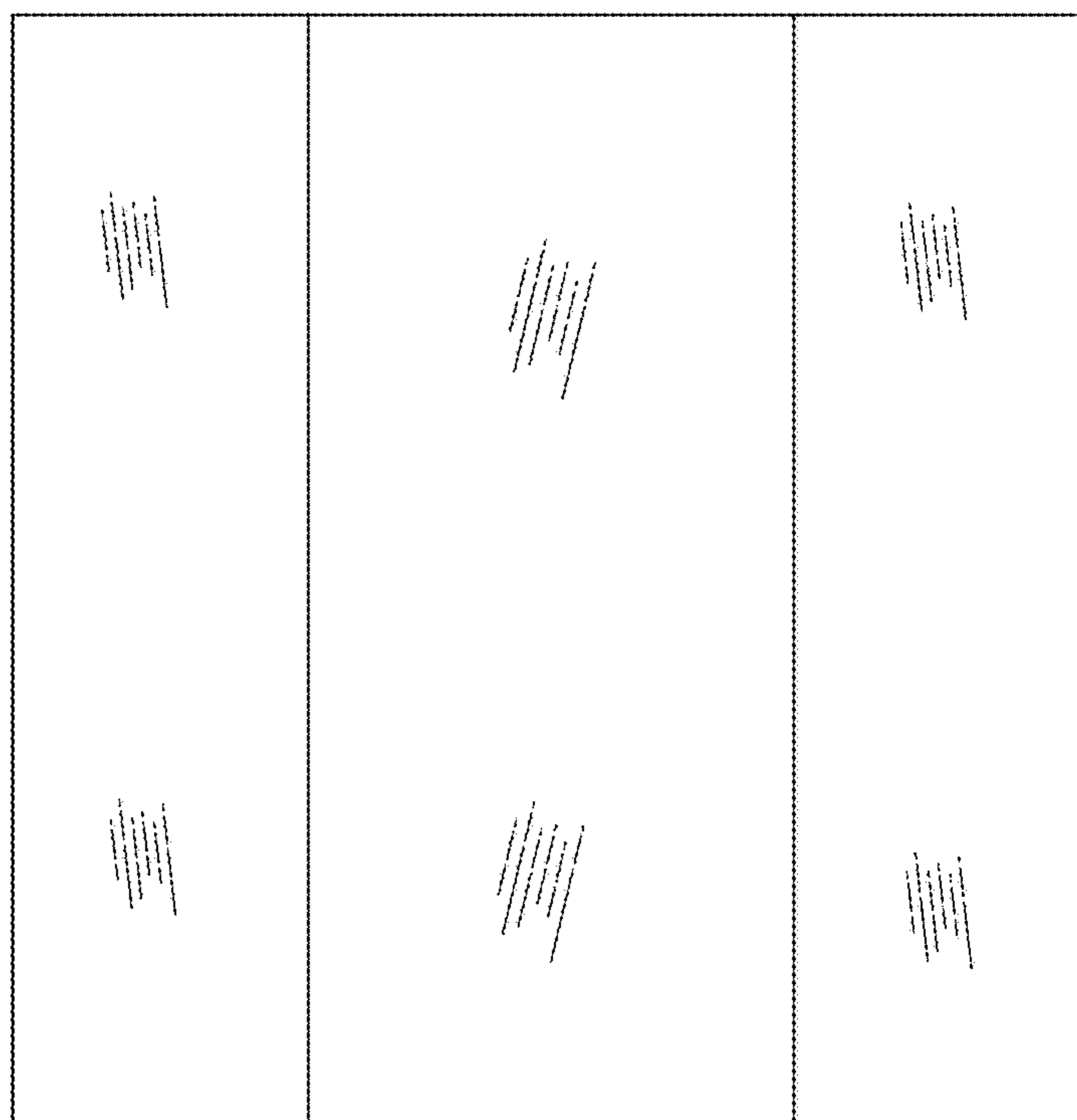


Fig. 7

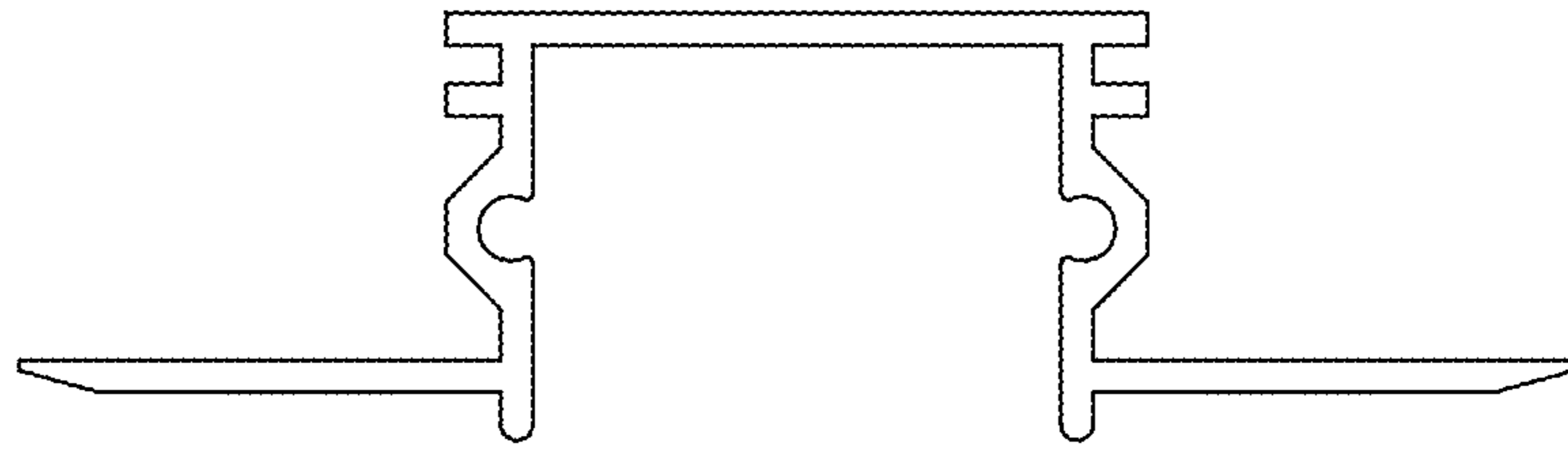


Fig. 8

