



US00D796109S

(12) **United States Design Patent** (10) **Patent No.:** **US D796,109 S**  
**Sonneman** (45) **Date of Patent:** **\*\* Aug. 29, 2017**

(54) **LIGHT FIXTURE**  
(71) Applicant: **Robert A. Sonneman**, Mamaroneck, NY (US)  
(72) Inventor: **Robert A. Sonneman**, Mamaroneck, NY (US)  
(\*\*) Term: **15 Years**  
(21) Appl. No.: **29/593,945**  
(22) Filed: **Feb. 14, 2017**  
(51) **LOC (10) Cl.** ..... **26-03**  
(52) **U.S. Cl.**  
USPC ..... **D26/87**  
(58) **Field of Classification Search**  
USPC ..... D26/67-71, 87, 92, 118  
CPC .... F21S 8/032; F21S 8/08; F21S 8/081; F21S 8/083; F21S 8/085; F21S 8/088; F21S 6/004; F21S 9/03; F21S 9/032; F21S 9/035; F21S 9/037; F21S 13/10; F21W 2131/10; F21W 2131/107; F21W 2131/109; F21W 2111/023; F21V 21/0824; F21V 7/041  
See application file for complete search history.

5,251,118 A \* 10/1993 Budnovitch ..... F21S 8/033  
362/147  
D381,106 S \* 7/1997 Brohard ..... D26/67  
D383,866 S \* 9/1997 Brohard ..... D26/67  
D385,643 S \* 10/1997 Brohard ..... D26/71  
D408,938 S \* 4/1999 Miyatake ..... D26/87  
D567,424 S \* 4/2008 St-Pierre ..... D26/67  
7,393,124 B1 \* 7/2008 Williams ..... F21V 21/36  
362/403  
D640,406 S \* 6/2011 Harshaw ..... D26/67  
D652,975 S \* 1/2012 Harshaw ..... D26/67  
2013/0083516 A1 \* 4/2013 Yoon ..... F21V 29/54  
362/190

**OTHER PUBLICATIONS**

Reals Downlight LED Sconce, Item # 7300.DC.DL.98-WL. Found at sonnemanawayofflight.com, visited Jun. 16, 2017.\*

\* cited by examiner

*Primary Examiner* — Clare E Heflin  
(74) *Attorney, Agent, or Firm* — Gottlieb, Rackman & Reisman, P.C.

(57) **CLAIM**

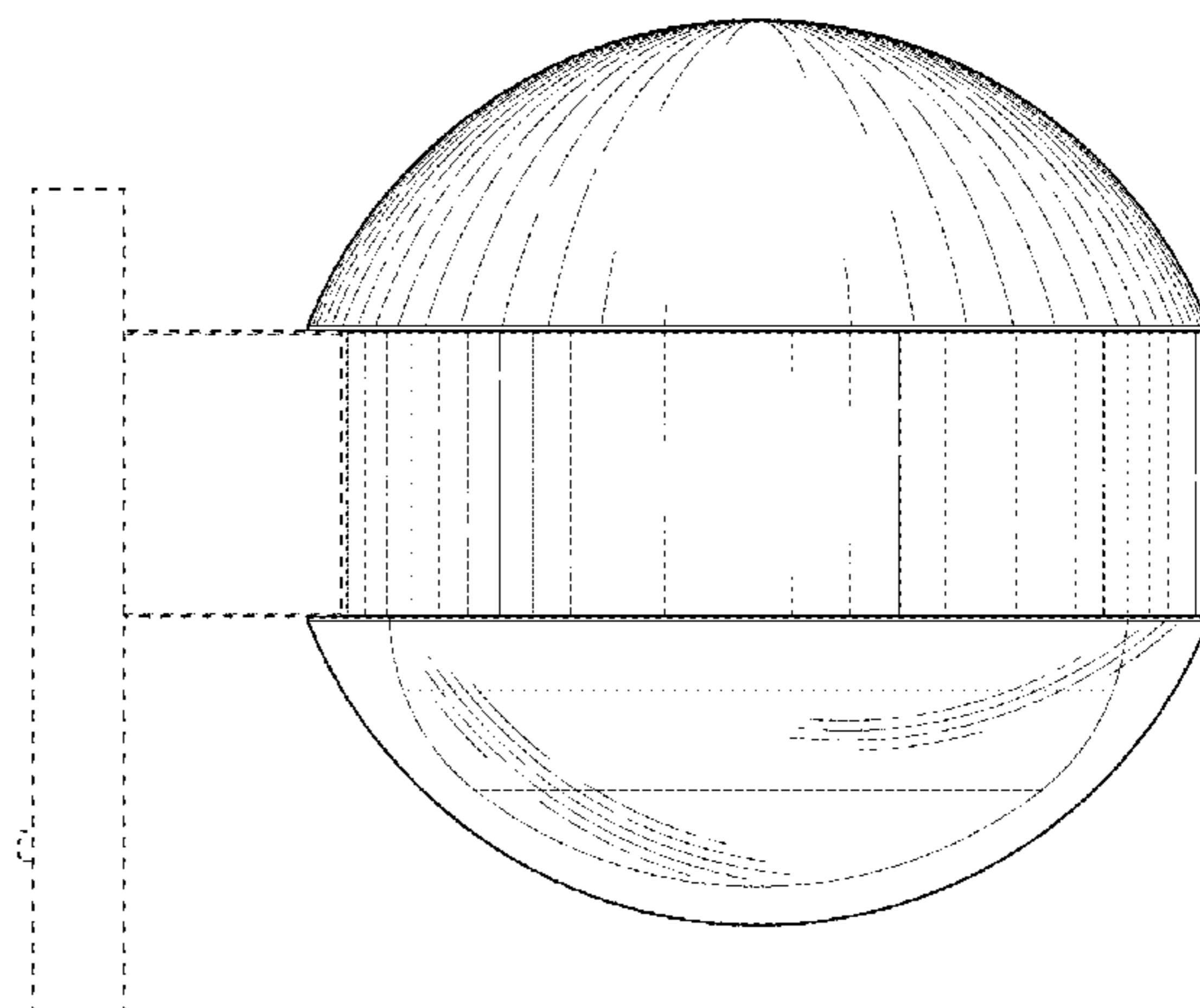
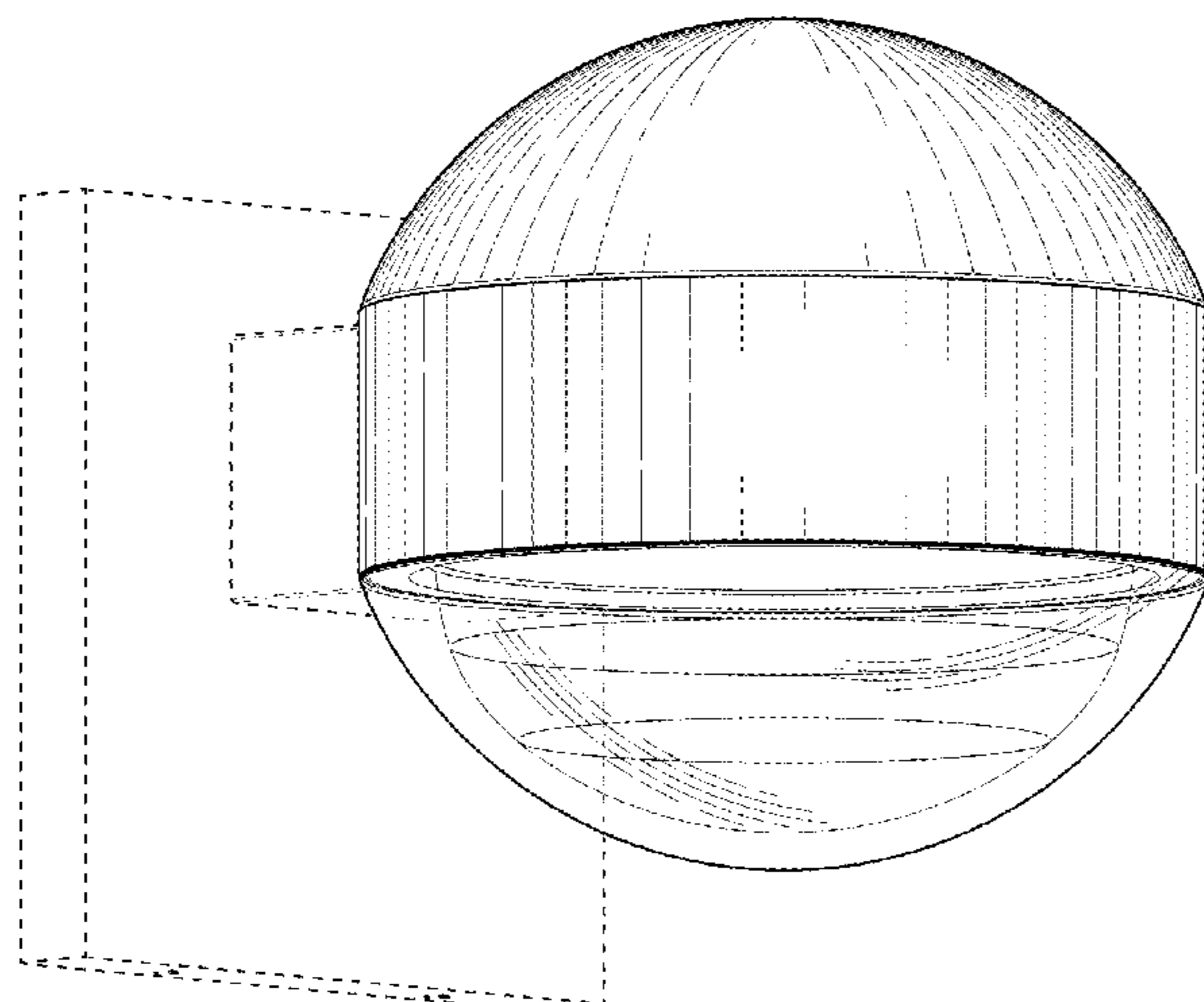
The ornamental design for a light fixture, as shown and described.

**DESCRIPTION**

FIG. 1 is a perspective view of the light fixture showing my new design;  
FIG. 2 is a left side elevational view thereof;  
FIG. 3 is a right side elevational view thereof;  
FIG. 4 is a front elevational view thereof;  
FIG. 5 is a rear elevational view thereof;  
FIG. 6 is a top plan view thereof; and,  
FIG. 7 is a bottom plan view thereof.  
The broken lines shown in the drawings are included for the purpose of illustrating portions of the article that form no part of the claimed design.

**1 Claim, 4 Drawing Sheets**

(56) **References Cited**  
U.S. PATENT DOCUMENTS  
2,493,087 A \* 1/1950 Rolph ..... F21V 5/00  
362/309  
D211,278 S \* 6/1968 Bobrick ..... D26/68  
D218,067 S \* 7/1970 De Vito ..... D26/67  
D222,810 S \* 1/1972 Husby et al. .... D26/68  
D231,679 S \* 5/1974 Keller ..... D26/87  
3,866,034 A \* 2/1975 Russo ..... F21S 8/081  
362/152  
4,317,164 A \* 2/1982 Karaktin ..... F21S 8/08  
362/147  
D295,792 S \* 5/1988 Ewing ..... D26/71  
D301,175 S \* 5/1989 Benjamin ..... D26/67



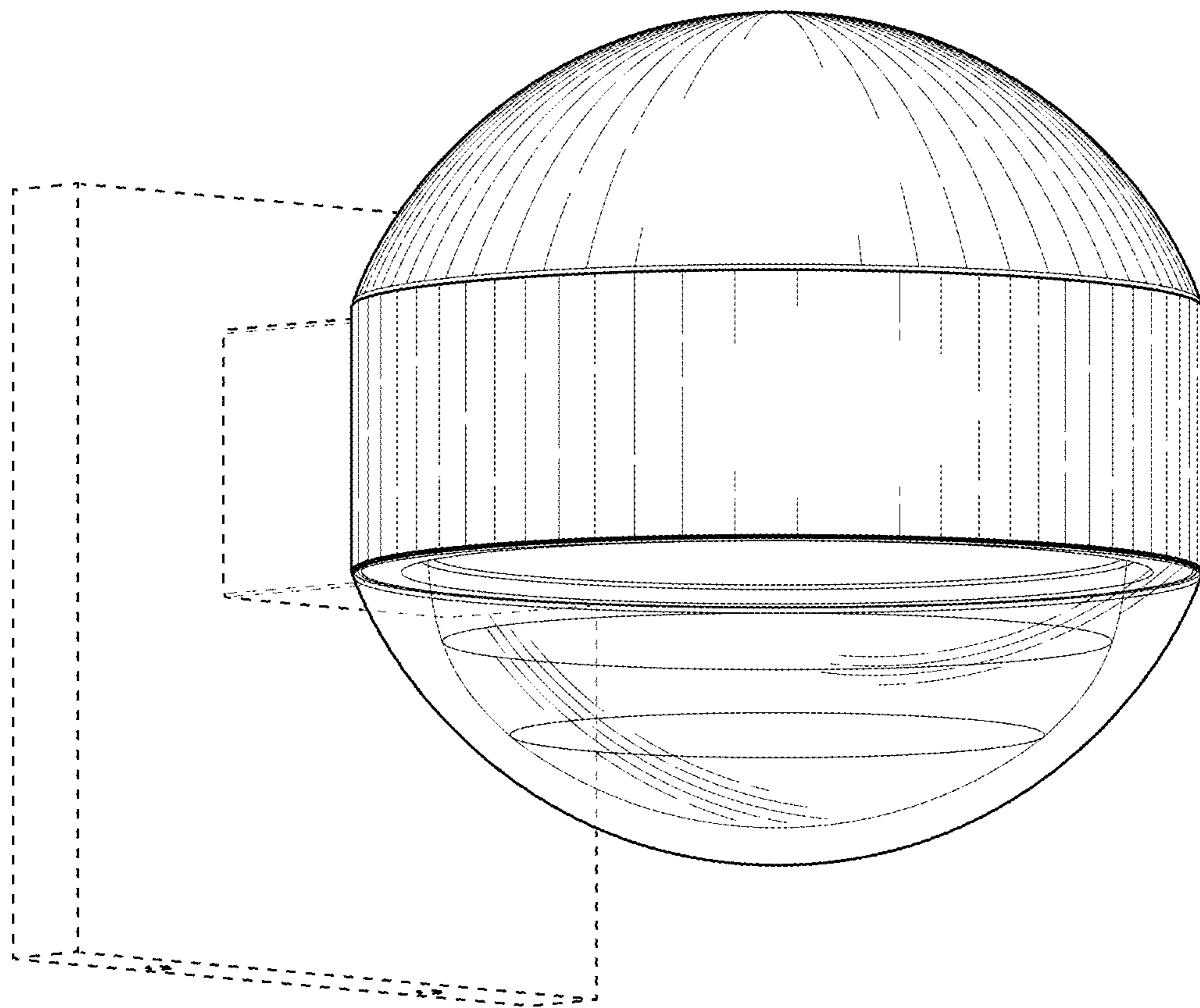


FIG. 1

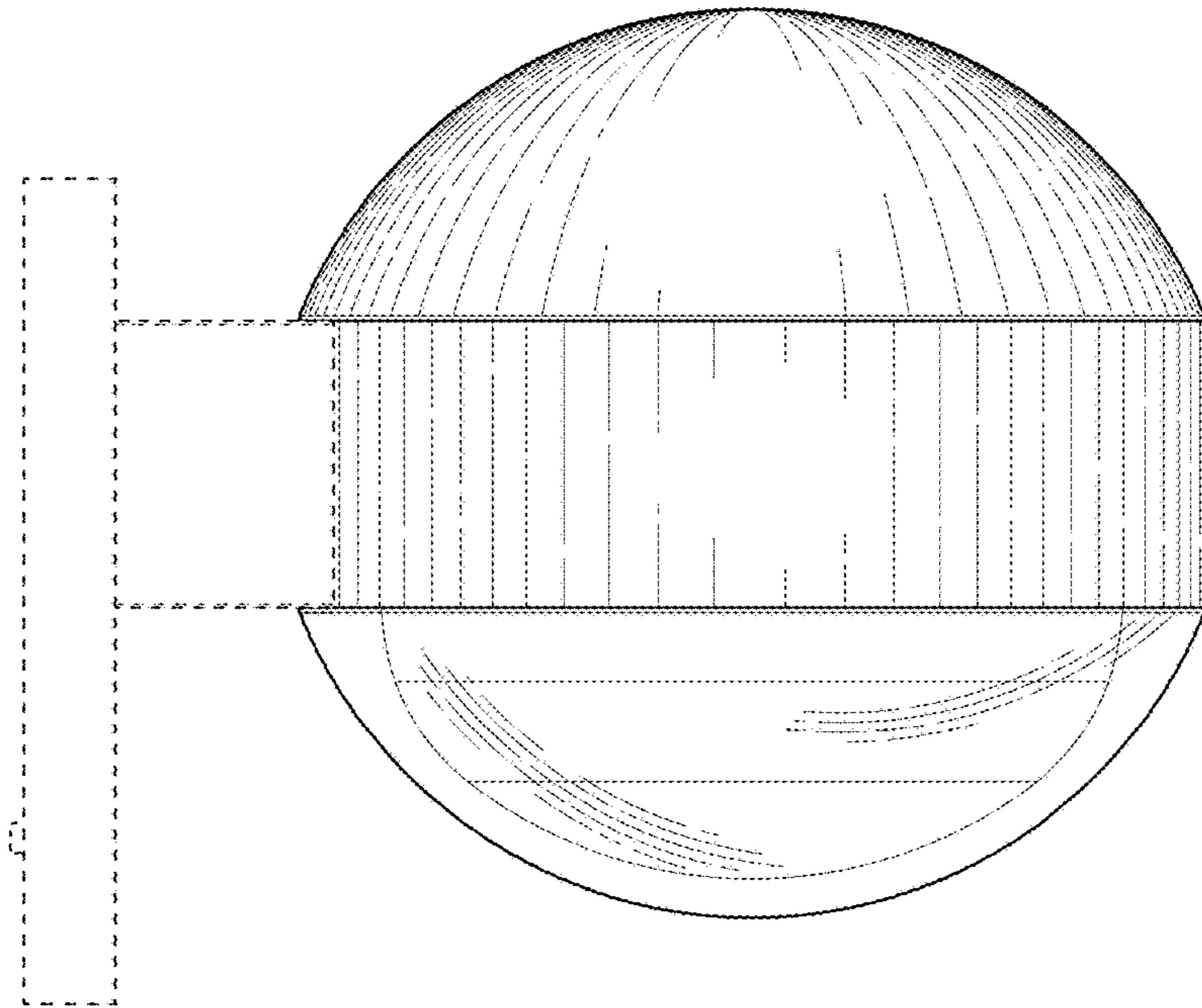


FIG. 3

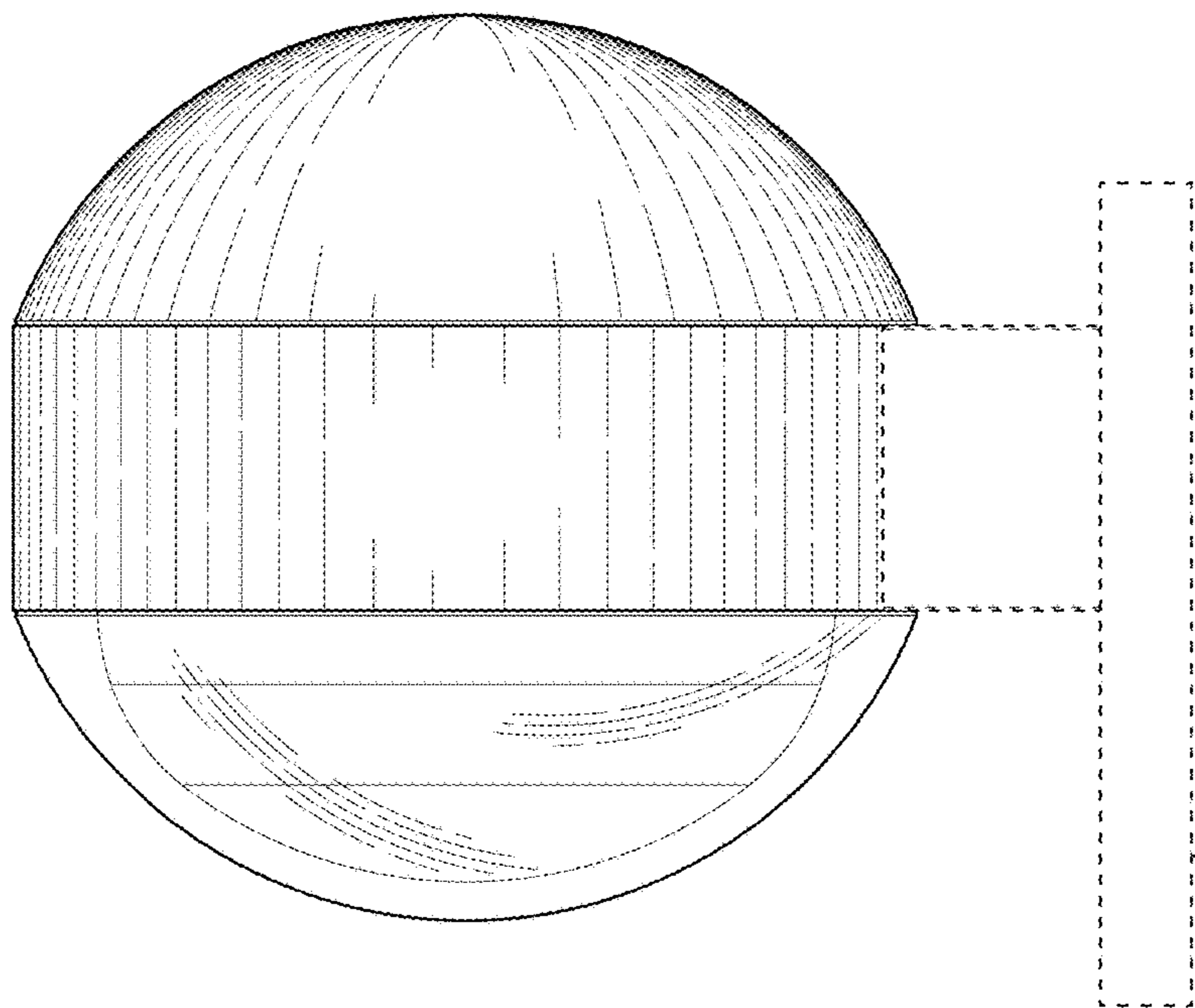


FIG. 2



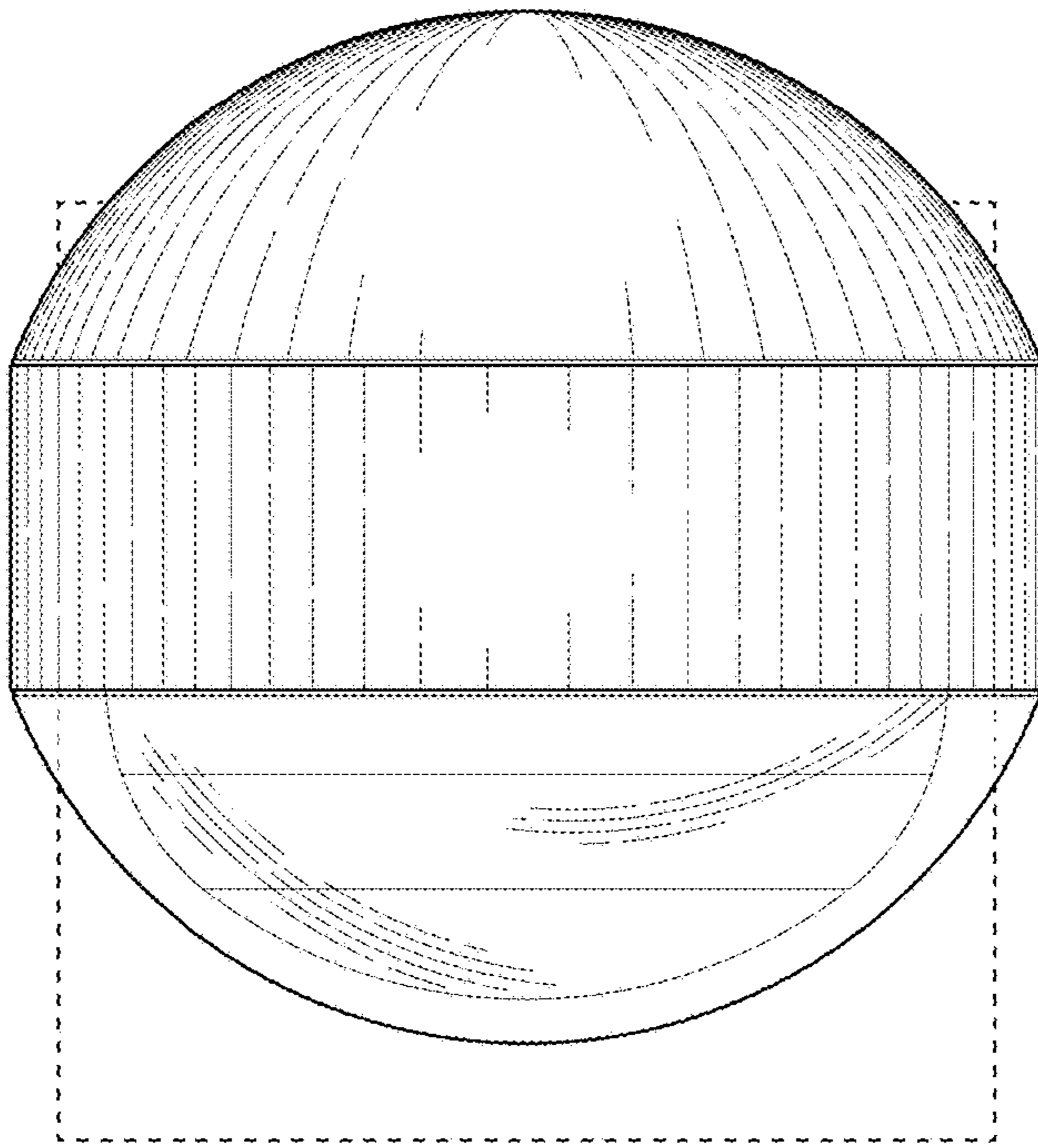


FIG. 4

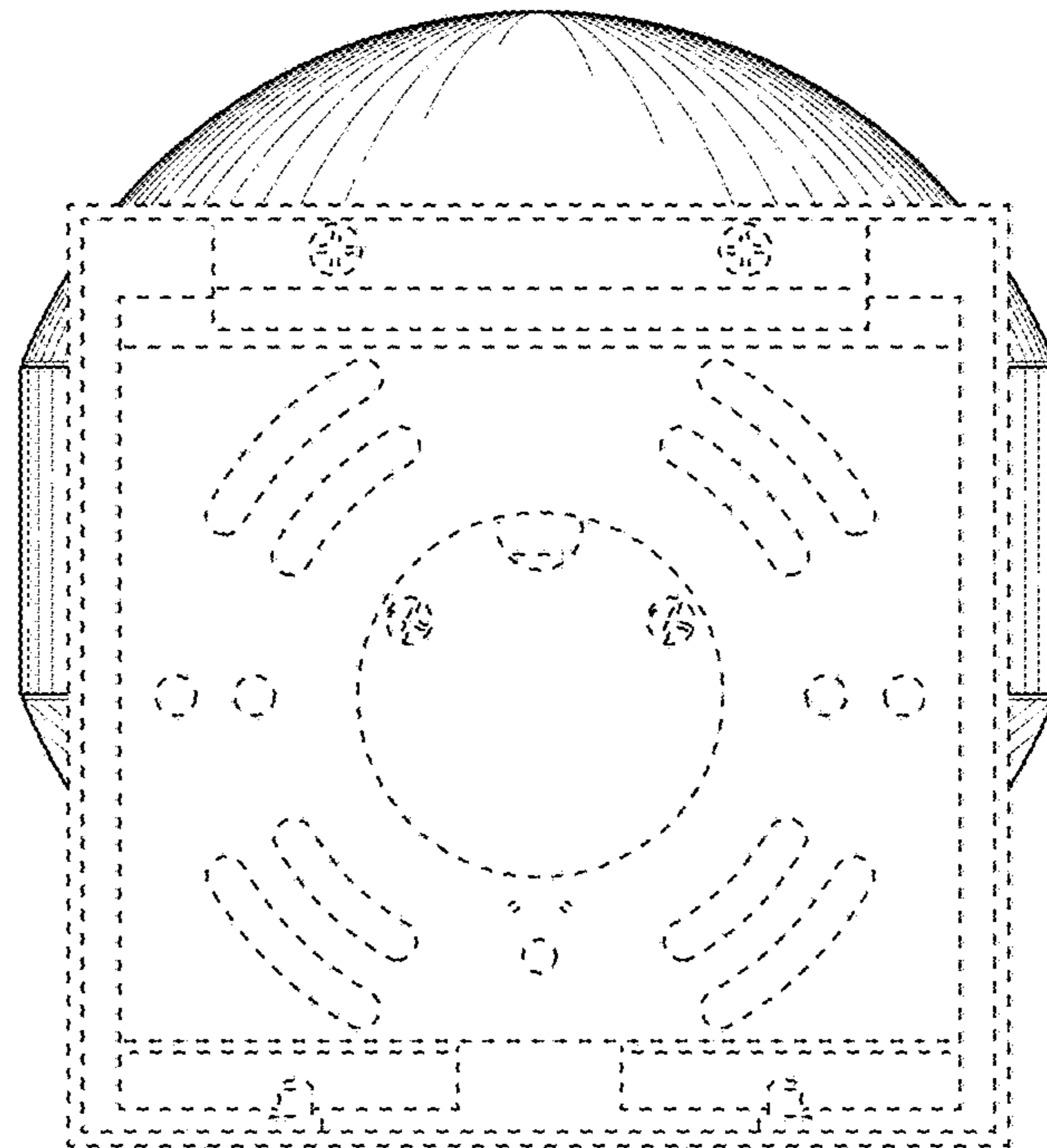


FIG. 5

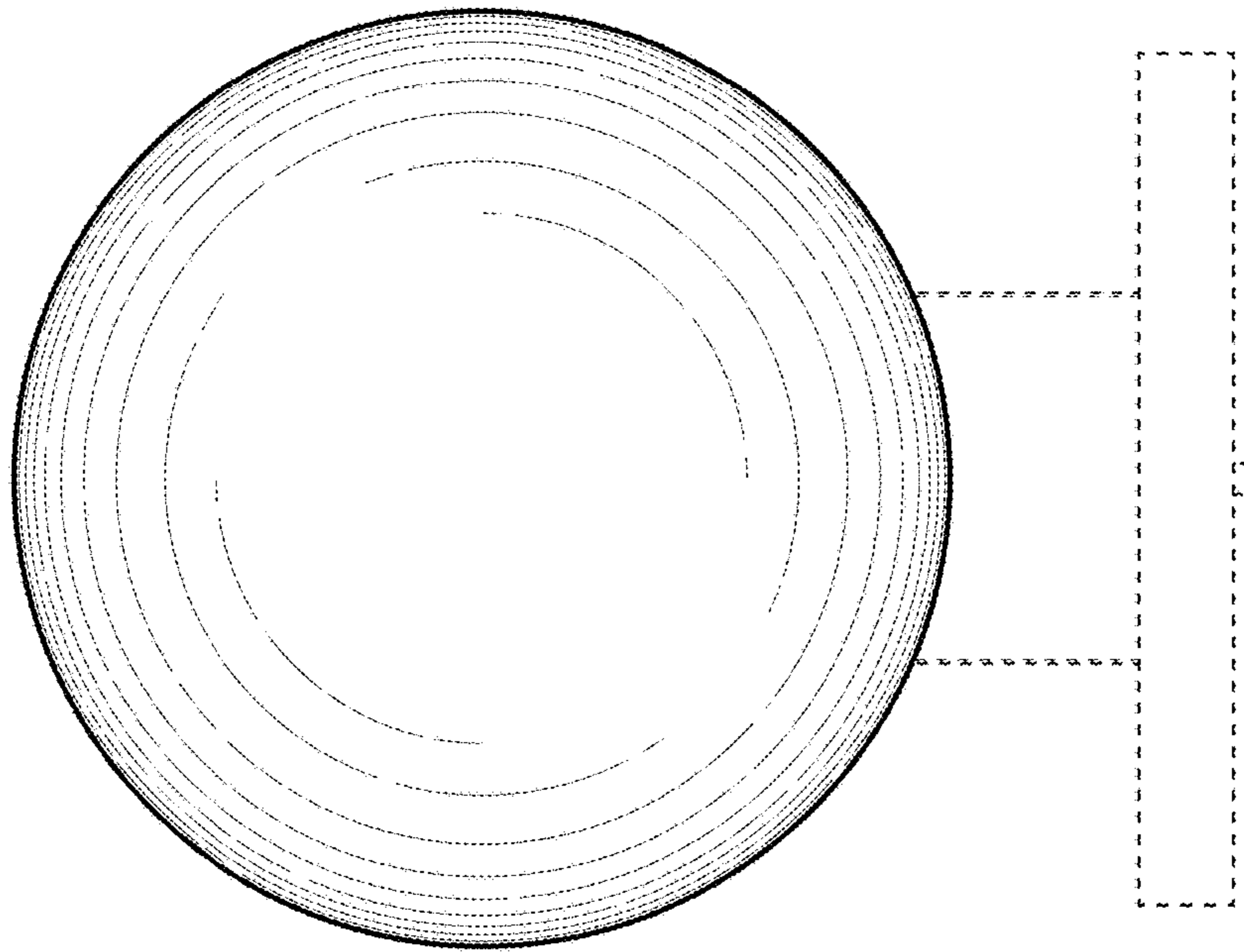


FIG. 6

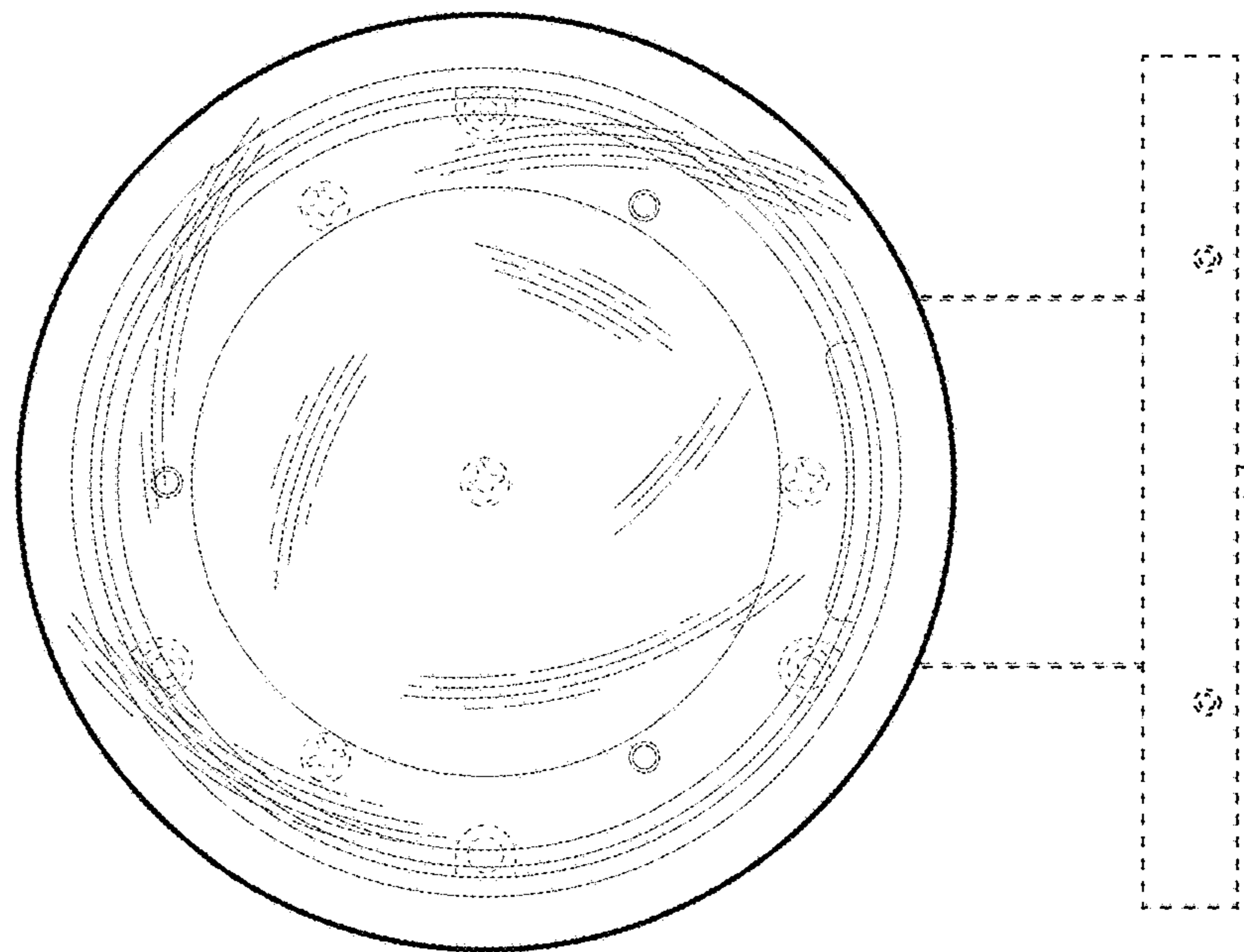


FIG. 7