

US00D796108S

(12) **United States Design Patent** (10) **Patent No.:** **US D796,108 S**
Boorum et al. (45) **Date of Patent:** **** Aug. 29, 2017**

(54) **LIGHTING FIXTURE**
(71) Applicant: **QUALITE SPORTS LIGHTING, LLC**, Hillsdale, MI (US)
(72) Inventors: **M. Eric Boorum**, Jackson, MI (US); **Michael J. Boorum**, Jackson, MI (US); **Nicholas D. Page**, Hillsdale, MI (US); **Bret L. Buxton**, Spring Lake, MI (US); **Gregory Alan Miedema**, Spring Lake, MI (US)
(73) Assignee: **QUALITE SPORTS LIGHTING, LLC**, Hillsdale, MI (US)
(**) Term: **15 Years**
(21) Appl. No.: **29/561,126**
(22) Filed: **Apr. 13, 2016**
(51) **LOC (10) Cl.** **26-03**
(52) **U.S. Cl.**
USPC **D26/87**
(58) **Field of Classification Search**
USPC D26/63, 70, 71, 72, 76, 80, 87, 88, 89, D26/92, 118
CPC .. F21S 8/033; F21S 8/035; F21S 8/036; F21S 8/037; F21S 8/043; F21S 8/046; F21S 8/06; F21S 8/061; F21S 8/063; F21S 8/065; F21S 8/088; F21V 17/107; F21V 5/007; F21V 21/30
See application file for complete search history.

(56) **References Cited**
U.S. PATENT DOCUMENTS
D123,048 S * 10/1940 Doane 362/224
D125,120 S 10/1940 Shulman
D127,374 S * 5/1941 Jordan 362/223
D127,391 S 5/1941 Claspy
2,259,151 A * 10/1941 Claspy F21V 17/00
362/355

D165,390 S * 12/1951 Perry D26/76
D193,179 S 7/1962 Rutman et al.
3,108,751 A * 10/1963 Rodmaker F21S 8/00
362/427
D306,909 S * 3/1990 Kelley D26/24
D370,166 S 5/1996 Decursu et al.
D381,760 S 7/1997 Costa
D421,505 S 3/2000 Hastings et al.
D489,472 S * 5/2004 Newhouse D26/61
D505,744 S * 5/2005 Kan D26/76
D525,386 S 7/2006 McCarthy, III
D526,082 S 8/2006 McCarthy, III
D543,305 S * 5/2007 Wang D26/60
D543,657 S 5/2007 Lehman
D572,109 S 7/2008 Busalt et al.
D573,286 S 7/2008 Zettl
D581,080 S * 11/2008 Mier-Langner D26/63
D589,638 S * 3/2009 Collins D26/72
D603,079 S 10/2009 Toot et al.
D607,599 S * 1/2010 Zhou D26/76

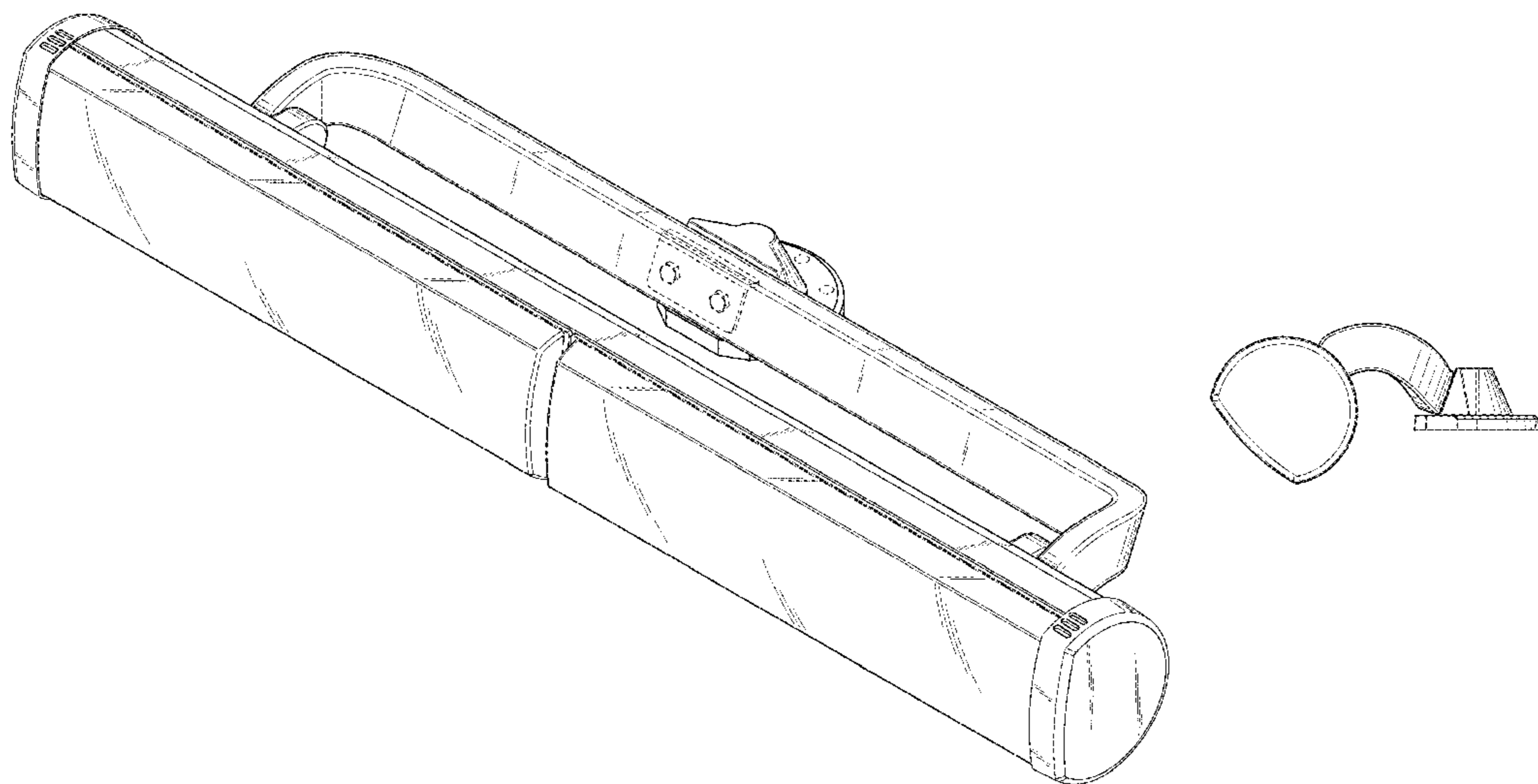
(Continued)

Primary Examiner — Clare E Heflin
(74) *Attorney, Agent, or Firm* — Price Heneveld LLP

(57) **CLAIM**
The ornamental design for a lighting fixture, as shown and described.

DESCRIPTION
FIG. 1 is a front perspective view of a lighting fixture according to our design;
FIG. 2 is a right elevational view thereof;
FIG. 3 is a left elevational view thereof;
FIG. 4 is a top elevational view thereof;
FIG. 5 is a front elevational view thereof;
FIG. 6 is a bottom elevational view thereof; and,
FIG. 7 is a rear elevational view thereof.
The broken line showing of various features is for the purpose of illustrating unclaimed portions of the lighting fixture and forms no part of the claimed design.

1 Claim, 4 Drawing Sheets



(56)

References Cited

U.S. PATENT DOCUMENTS

D617,488	S	6/2010	Cho	
D693,048	S	11/2013	Ng et al.	
D695,943	S *	12/2013	Duquette	D26/76
D697,247	S	1/2014	Mollaghaffari	
D724,249	S	3/2015	Maxik et al.	
D735,385	S	7/2015	Lee et al.	
D736,779	S	8/2015	Moon et al.	
D737,493	S	8/2015	Yasuji Fletcher et al.	
D741,683	S	10/2015	Park et al.	
D754,902	S	4/2016	Parker et al.	
9,322,533	B1	4/2016	Pearson et al.	
D774,377	S	12/2016	Hilliaho	
D776,335	S	1/2017	Fizer et al.	
D781,480	S	3/2017	Zhan	
D783,874	S	4/2017	Moller	
D785,219	S	4/2017	Swai	
D785,220	S	4/2017	Swai	
2005/0117333	A1 *	6/2005	Yoshida	F21S 8/033 362/147
2010/0254148	A1 *	10/2010	Huang	F21V 15/013 362/373
2010/0315812	A1	12/2010	Liu	
2011/0002124	A1	1/2011	Chang et al.	
2011/0051407	A1 *	3/2011	St. Ives	F21V 15/015 362/225
2011/0141722	A1 *	6/2011	Acampora	F21V 3/00 362/218
2013/0271977	A1 *	10/2013	Ronen	F21V 15/013 362/235

* cited by examiner

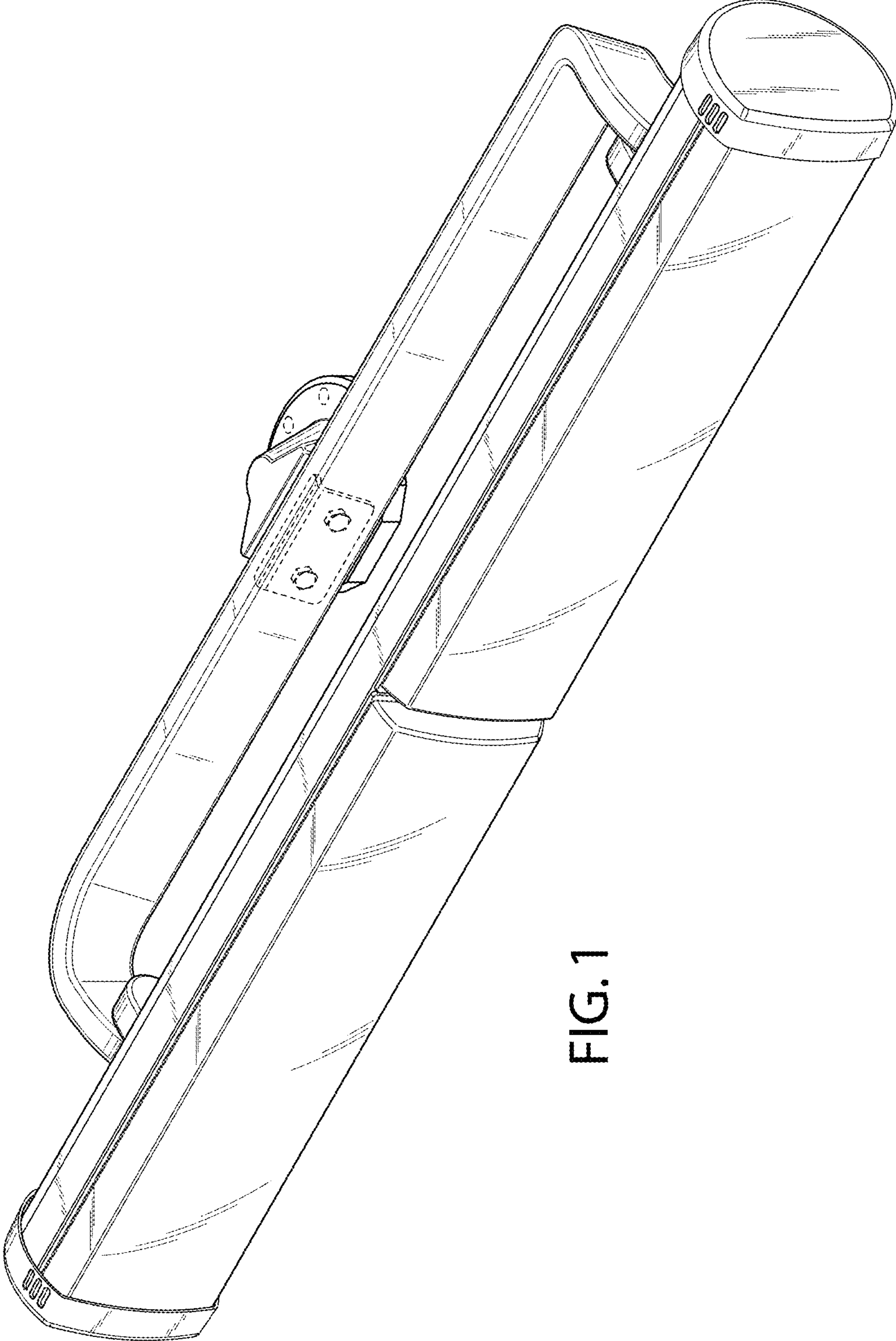


FIG. 1

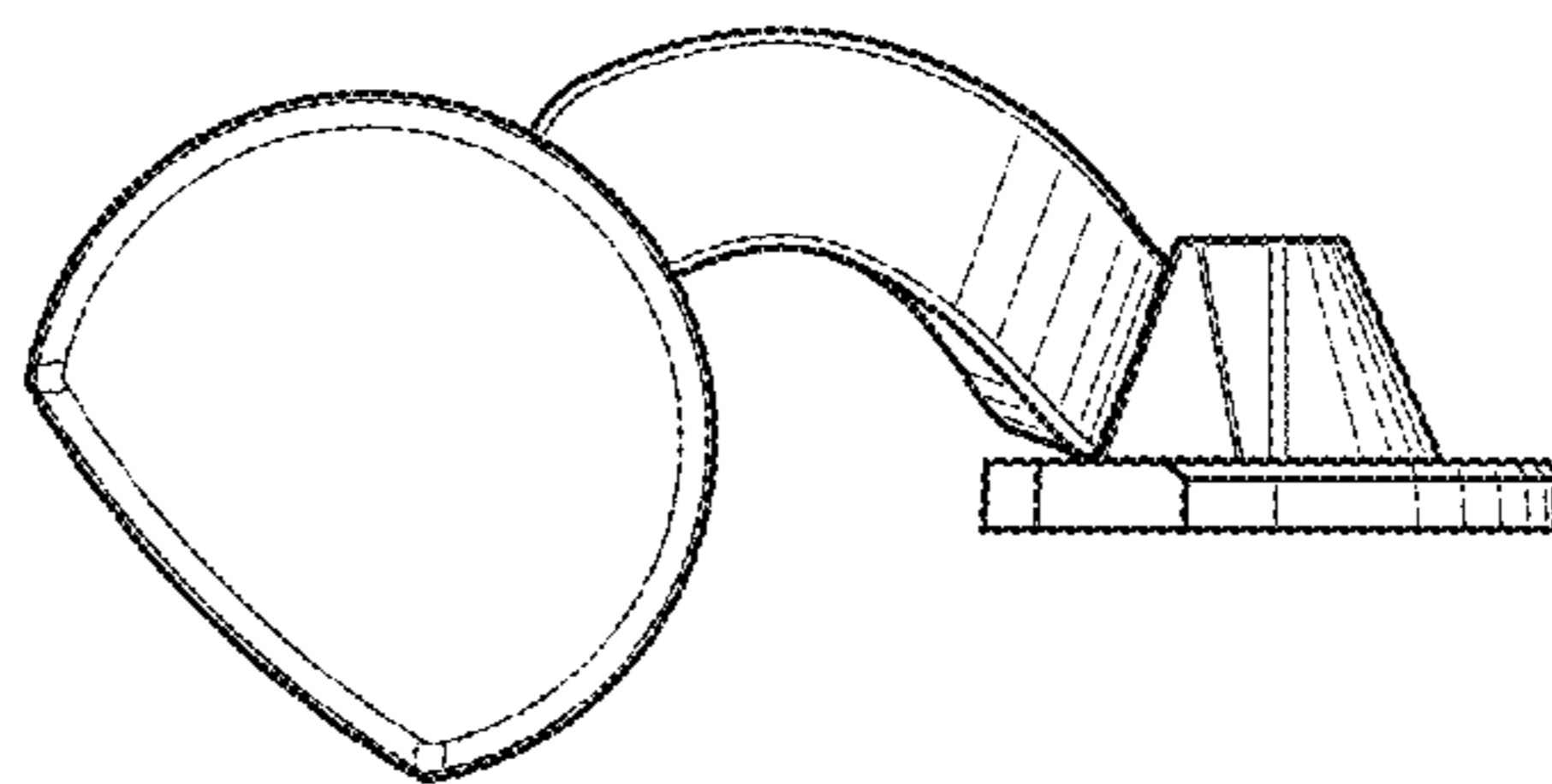


FIG. 2

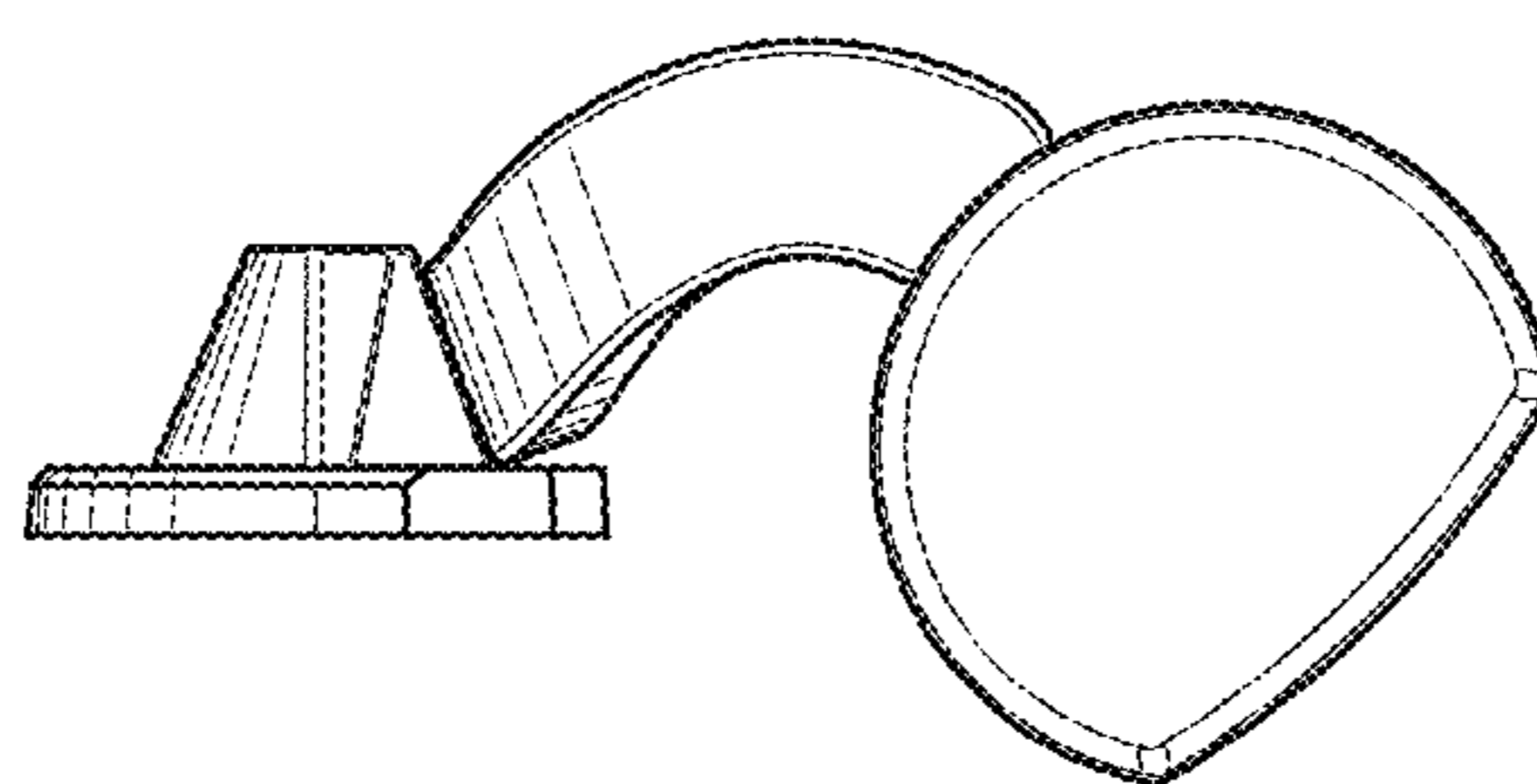


FIG. 3

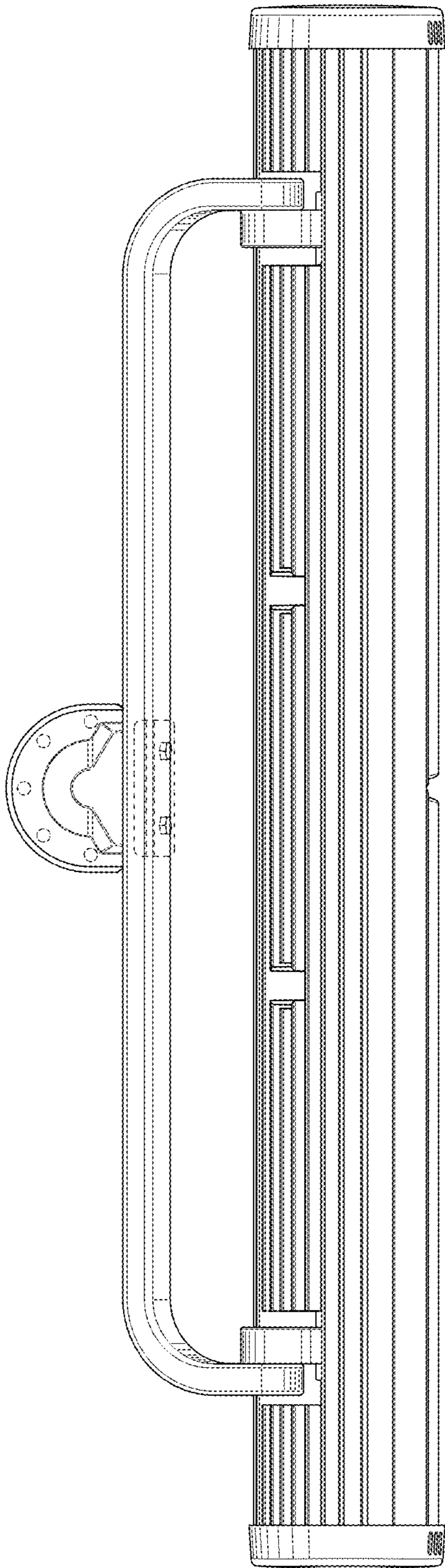


FIG. 4

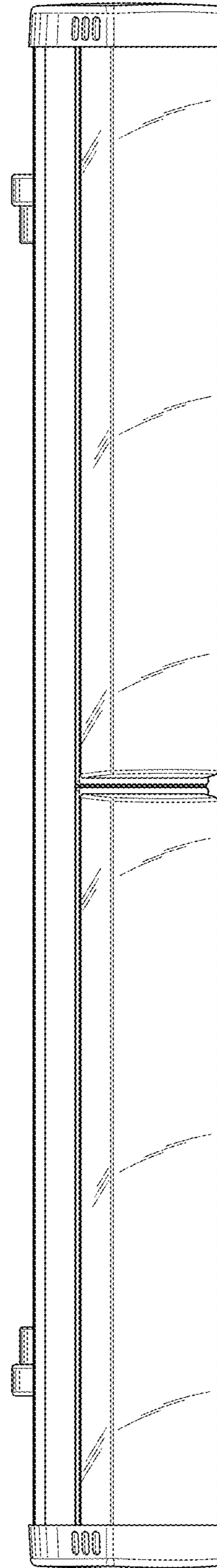


FIG. 5

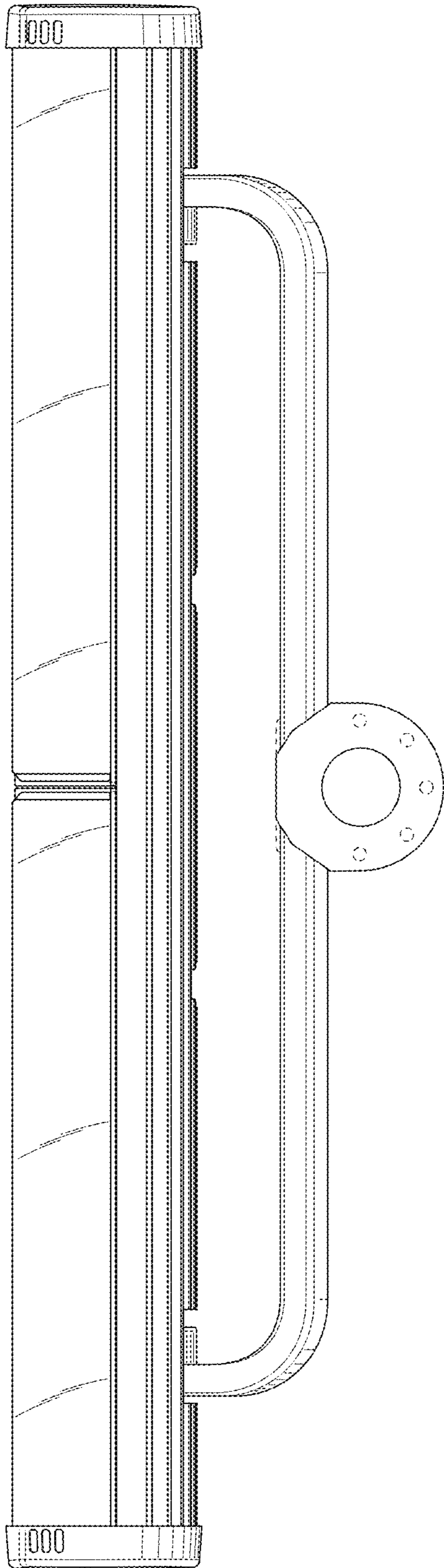


FIG. 6

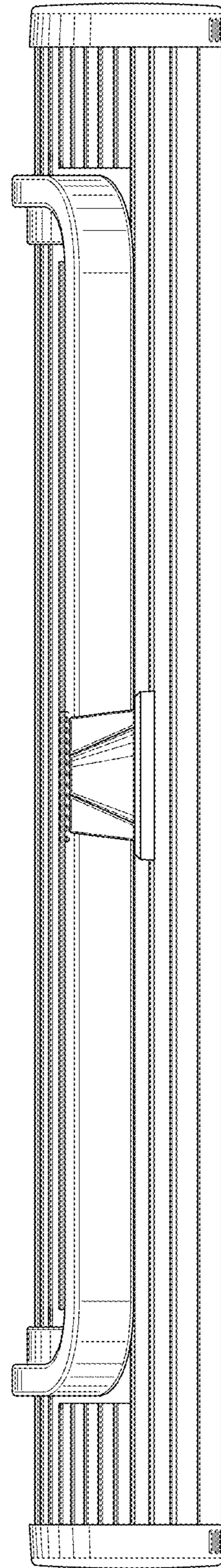


FIG. 7