



US00D796106S

(12) **United States Design Patent**
Hoffmeister

(10) **Patent No.:** **US D796,106 S**

(45) **Date of Patent:** **** Aug. 29, 2017**

(54) **LAMP**

(71) Applicant: **Hoffmeister Leuchten GmbH**,
Schalksmühle (DE)

(72) Inventor: **Oliver Hoffmeister**, Lüdenscheid (DE)

(73) Assignee: **Hoffmeister Leuchten GmbH**,
Schalksmühle (DE)

(**) Term: **15 Years**

(21) Appl. No.: **29/528,019**

(22) Filed: **May 25, 2015**

(51) **LOC (10) Cl.** **26-03**

(52) **U.S. Cl.**
USPC **D26/76**

(58) **Field of Classification Search**
USPC D26/24, 39, 59, 67, 68, 69, 70, 71, 72,
D26/74, 77, 80, 88, 89, 138, 139, 140,
D26/141, 142, 151, 152
CPC F21V 17/12; F21V 17/18; F21V 21/002;
F21V 21/043; F21V 21/047; F21V 21/06;
F21V 21/084; F21V 21/14; F21V 23/04;
F21V 33/00

See application file for complete search history.

(56) **References Cited**

U.S. PATENT DOCUMENTS

- 3,974,418 A * 8/1976 Fridrich F21V 15/015
315/100
- 4,204,139 A * 5/1980 Shimer F21V 19/008
315/58
- 4,275,331 A * 6/1981 Stresing H01J 9/34
156/580.1
- D459,516 S * 6/2002 Demers D26/75
- D521,173 S * 5/2006 Noh D26/78
- D521,676 S * 5/2006 Richner D26/78
- D526,737 S * 8/2006 Noh D26/78

- D550,885 S * 9/2007 Crosby D26/76
- D556,359 S * 11/2007 Cunius D26/76
- 7,331,687 B1 * 2/2008 Noh F21S 2/00
362/217.05
- D593,698 S * 6/2009 Noh D26/76
- 9,163,794 B2 * 10/2015 Simon F21V 17/12
- 2015/0300585 A1 * 10/2015 Wu F21V 21/112
362/222

* cited by examiner

Primary Examiner — George D Kirschbaum

Assistant Examiner — Natasha Vujcic

(74) *Attorney, Agent, or Firm* — Faegre Baker Daniels,
LLP

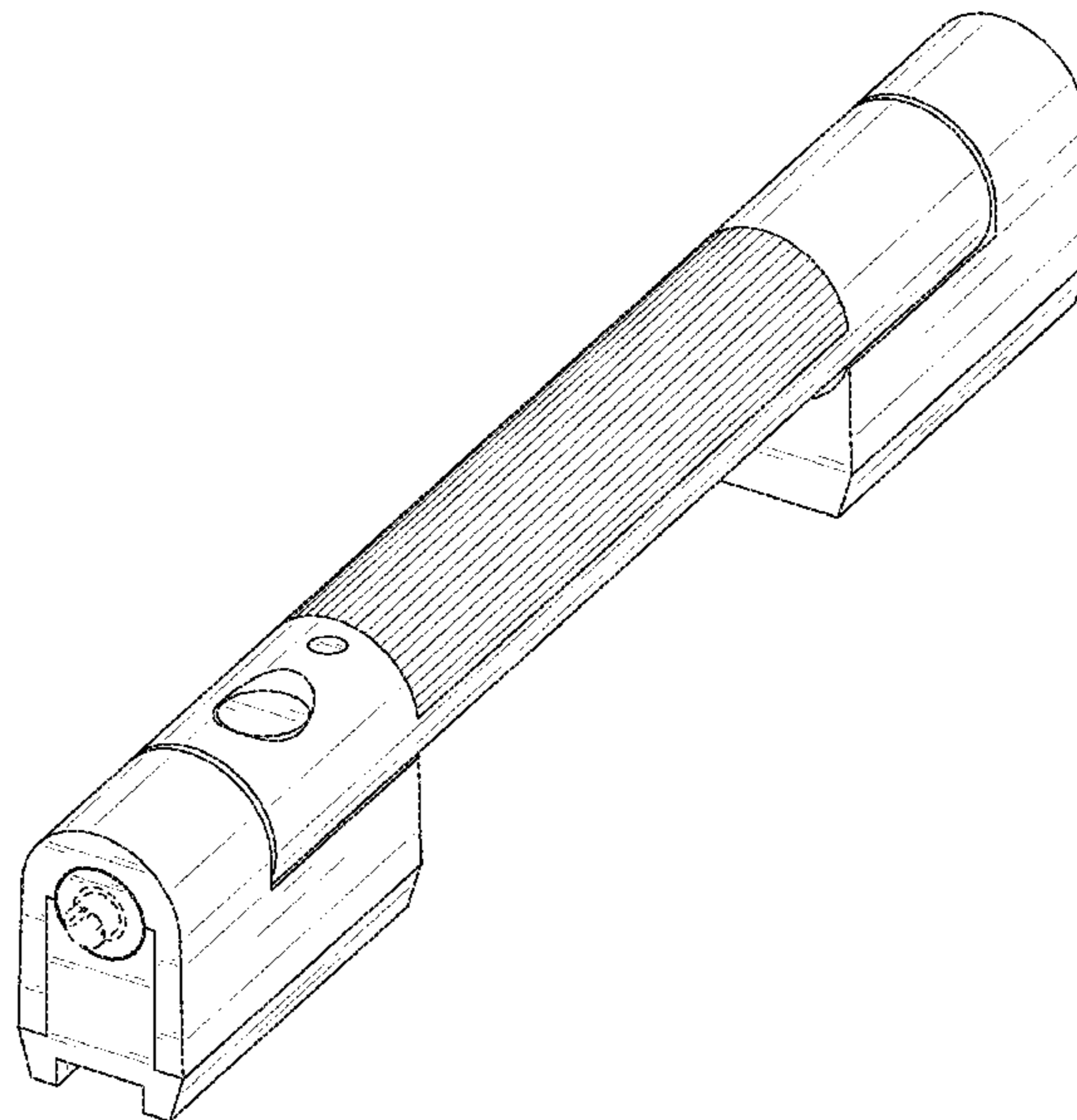
(57) **CLAIM**

The ornamental design for lamp, as shown and described.

DESCRIPTION

FIG. 1 is a front view of lamp illustrating a first embodiment of my new design;
 FIG. 2 is a rear view thereof;
 FIG. 3 is a top view thereof;
 FIG. 4 is a bottom view thereof;
 FIG. 5 is a left side view thereof;
 FIG. 6 is a right side view thereof;
 FIG. 7 is a front perspective view thereof;
 FIG. 8 is a front view of lamp illustrating a second embodiment of my new design;
 FIG. 9 is a rear view thereof;
 FIG. 10 is a top view thereof;
 FIG. 11 is a bottom view thereof;
 FIG. 12 is a left side view thereof;
 FIG. 13 is a right side view thereof; and,
 FIG. 14 is a front perspective view thereof.
 The portions of the device shown in broken lines form no part of the claimed design.

1 Claim, 14 Drawing Sheets



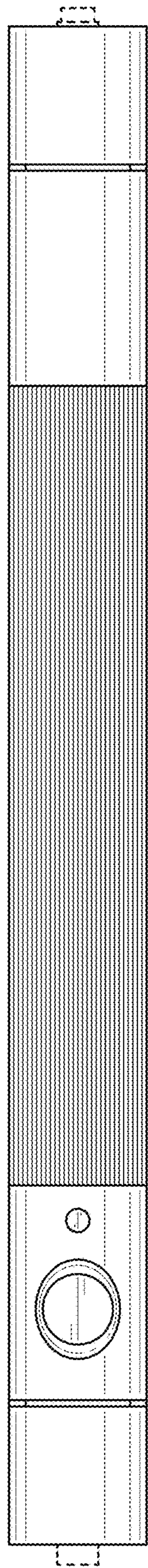


FIG. 1

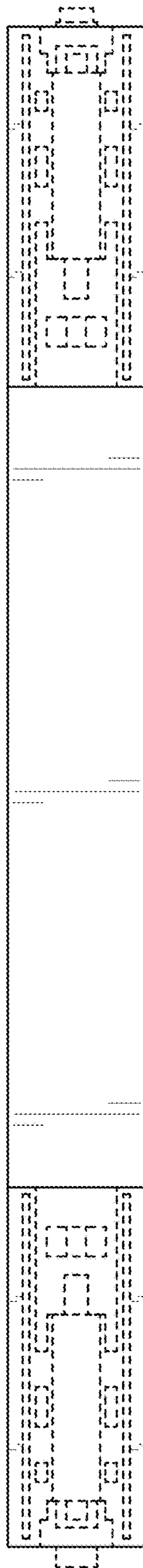


FIG. 2

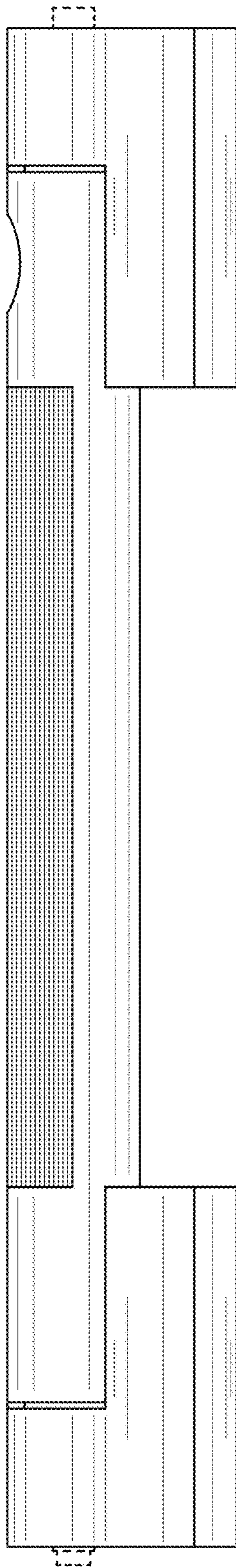


FIG. 3

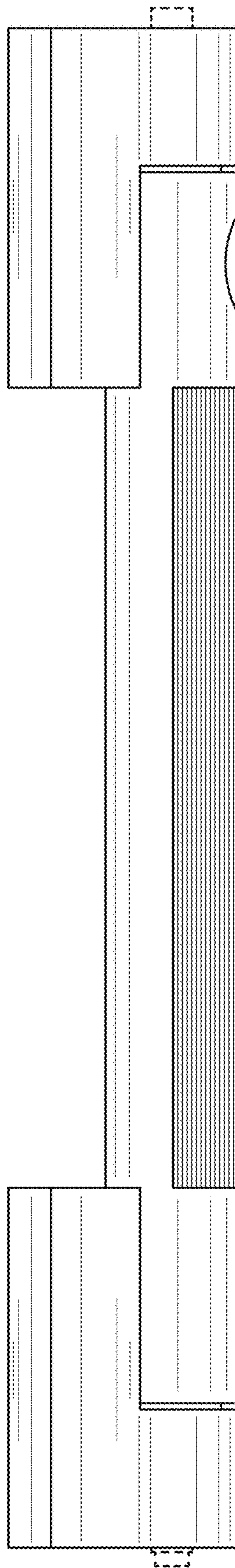


FIG. 4

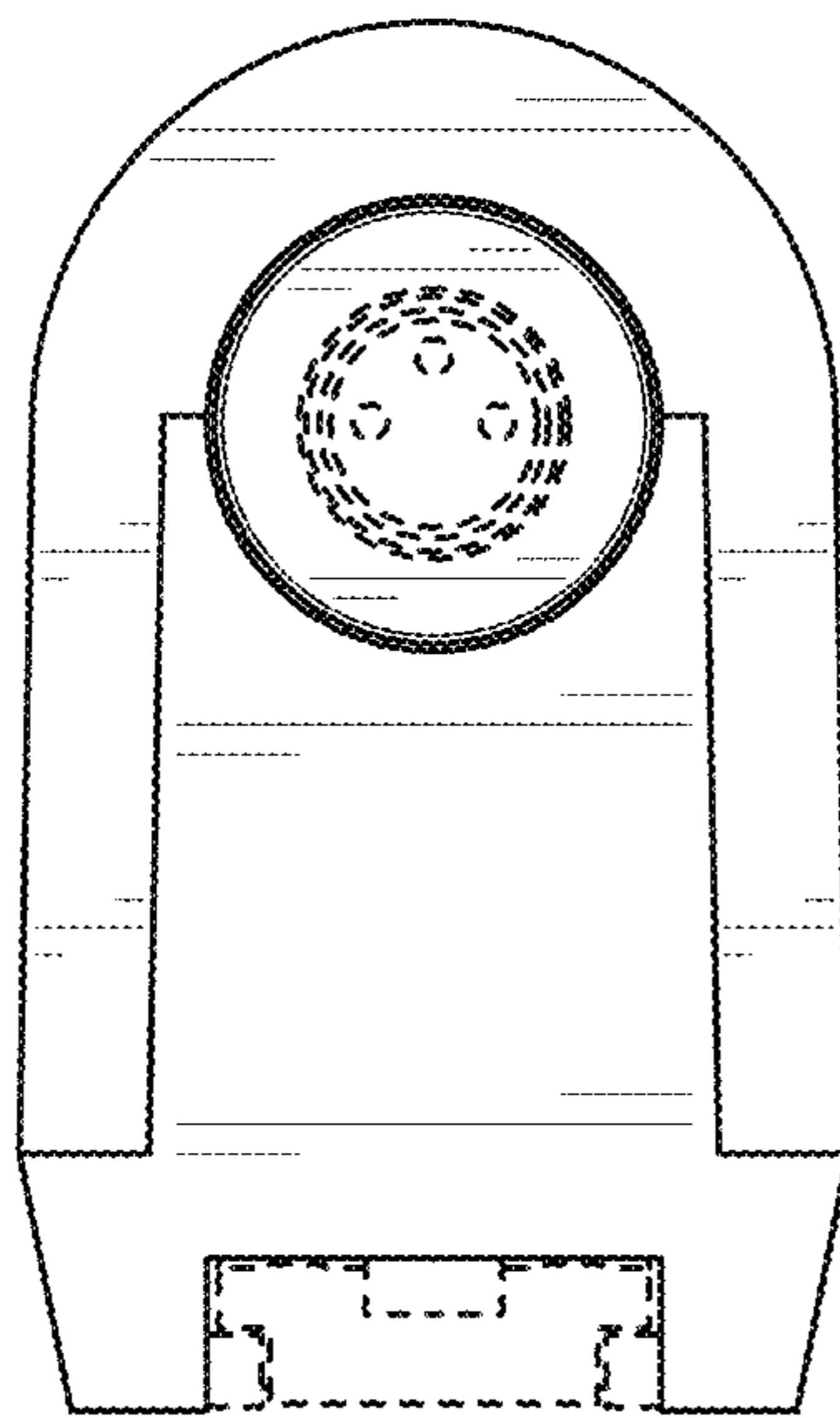


FIG. 5

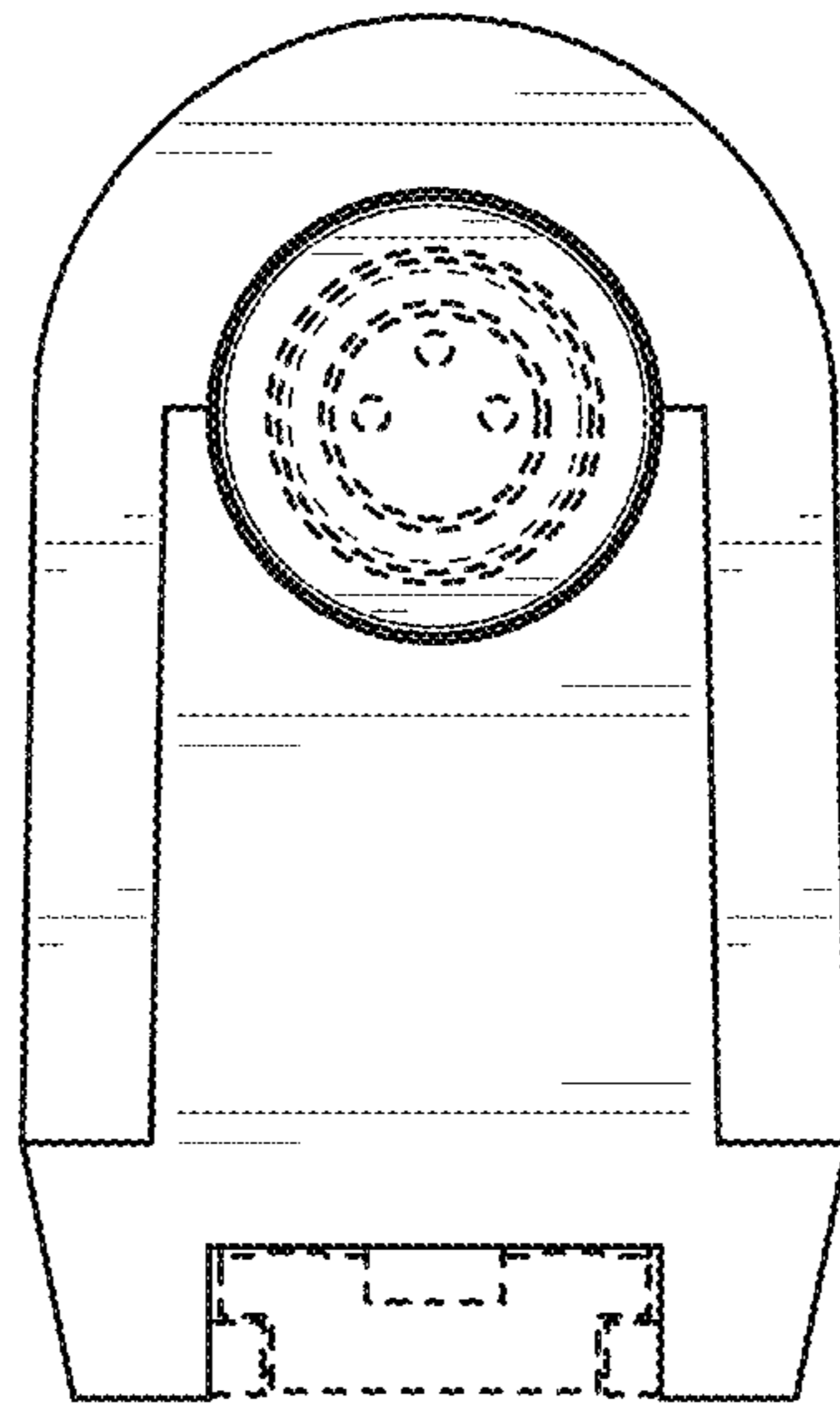


FIG. 6

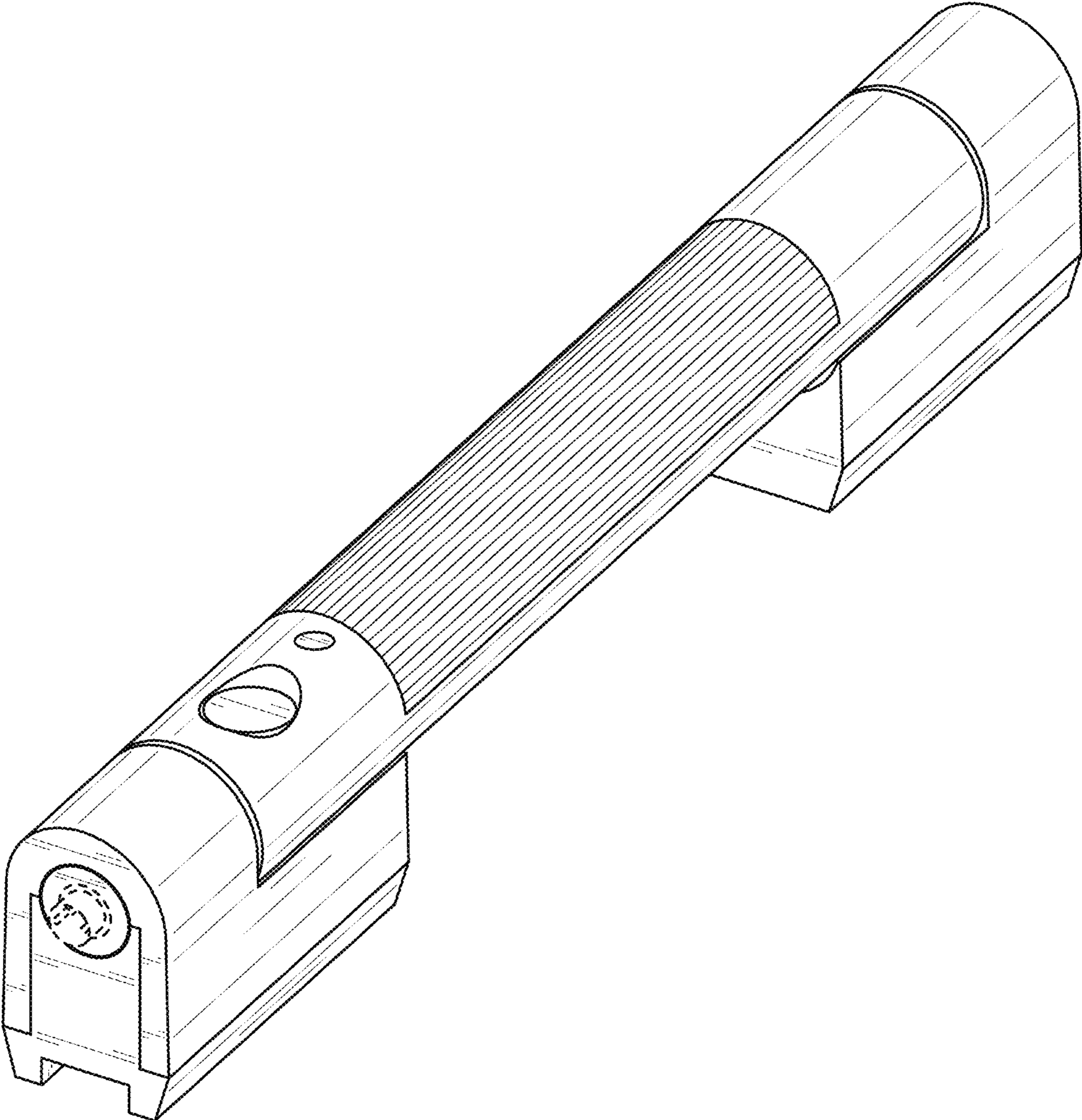


FIG. 7

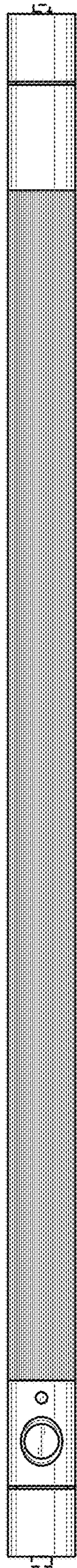


FIG. 8



FIG. 9

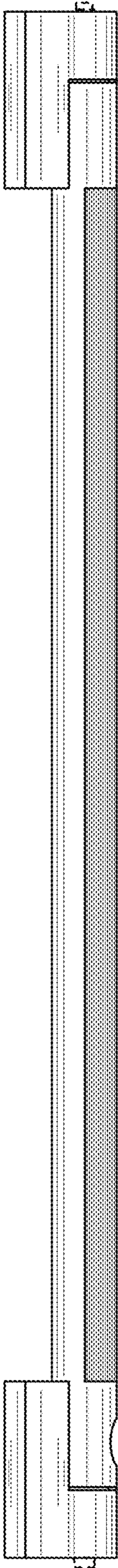


FIG. 10

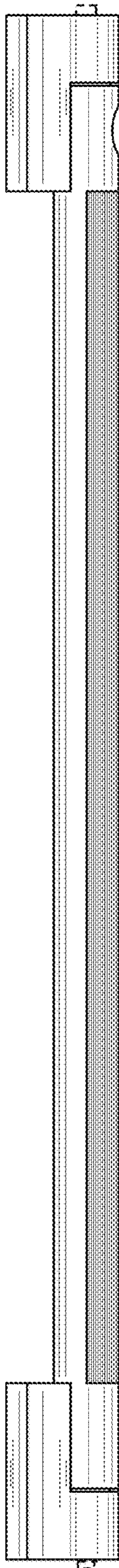


FIG. 11

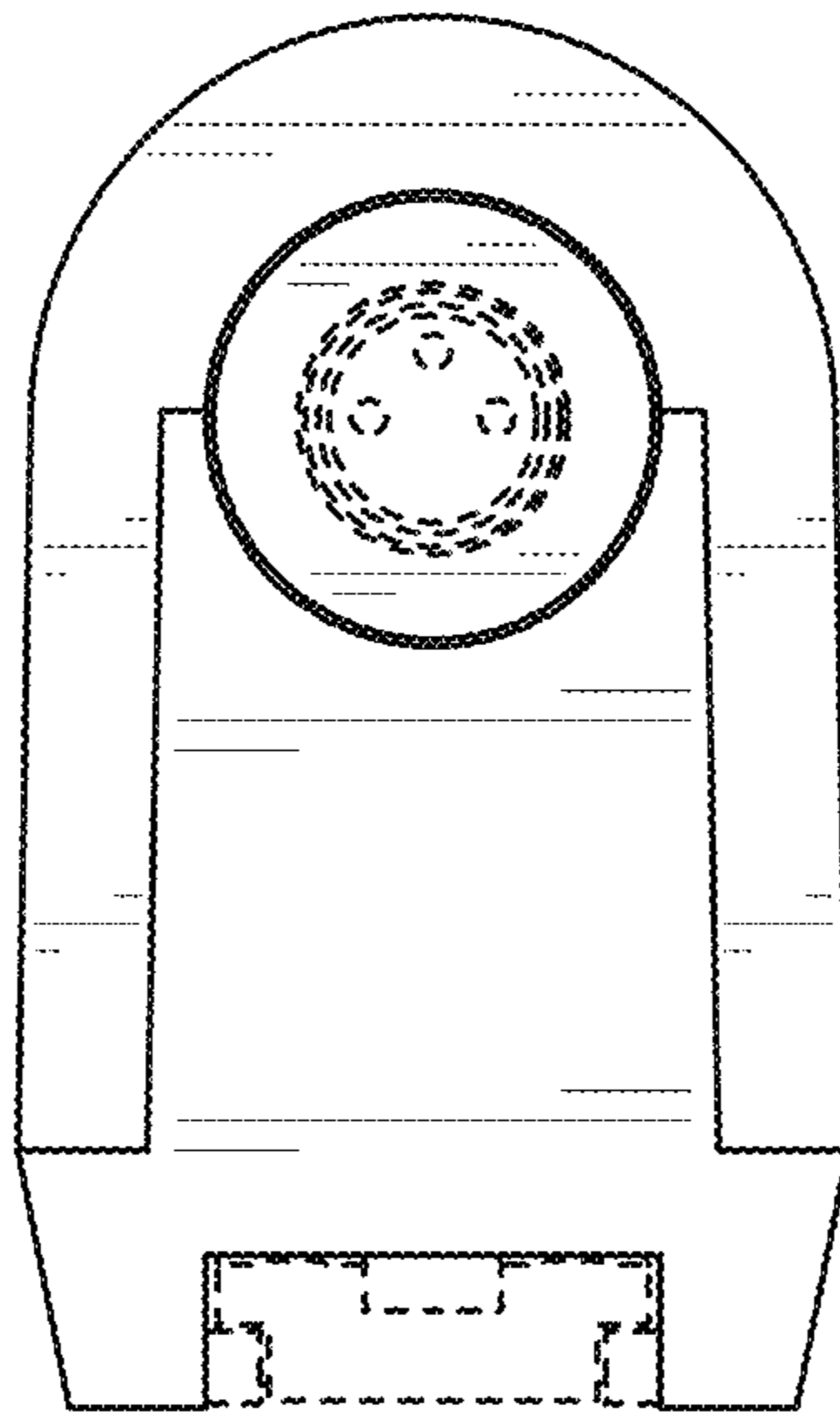


FIG. 12

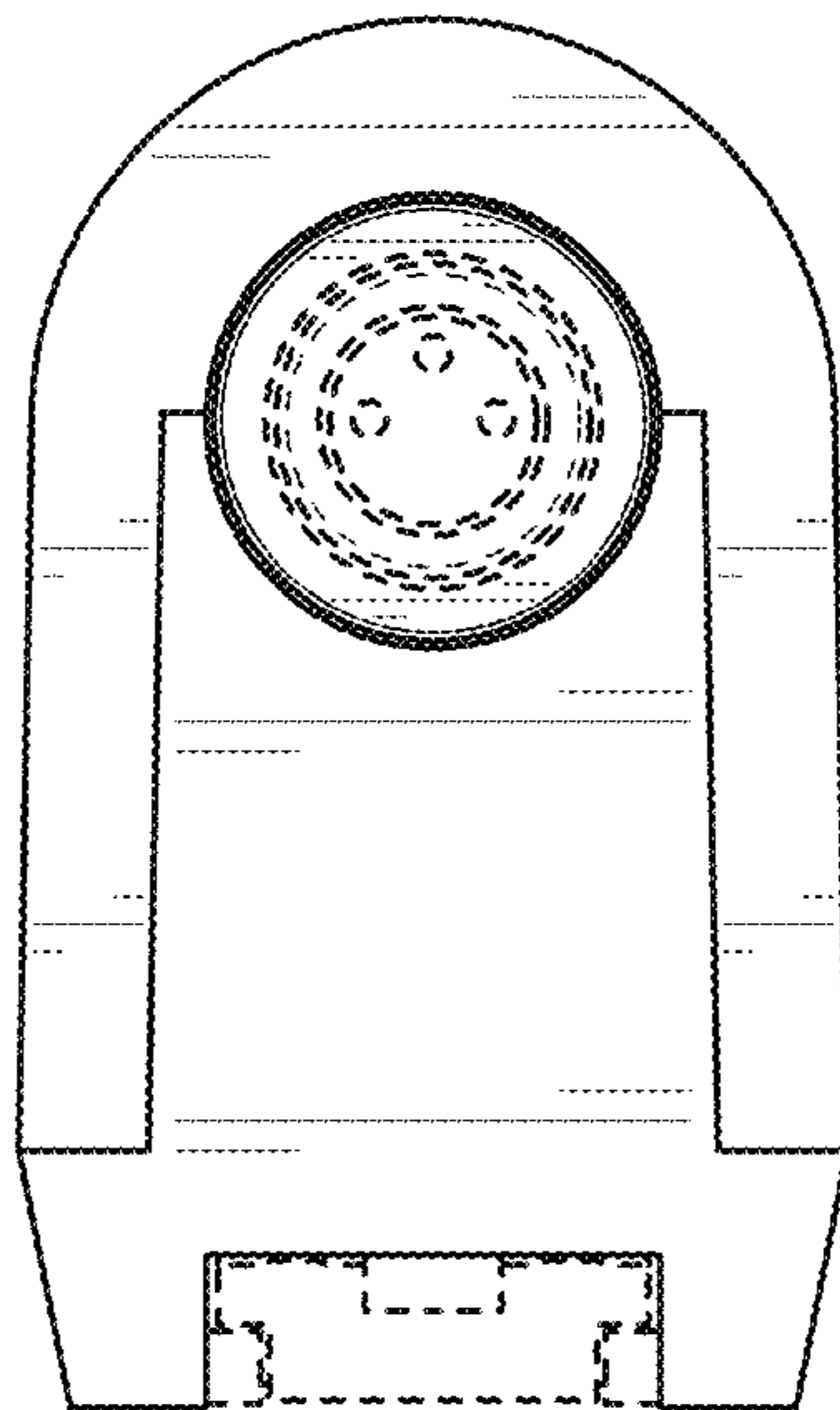


FIG. 13

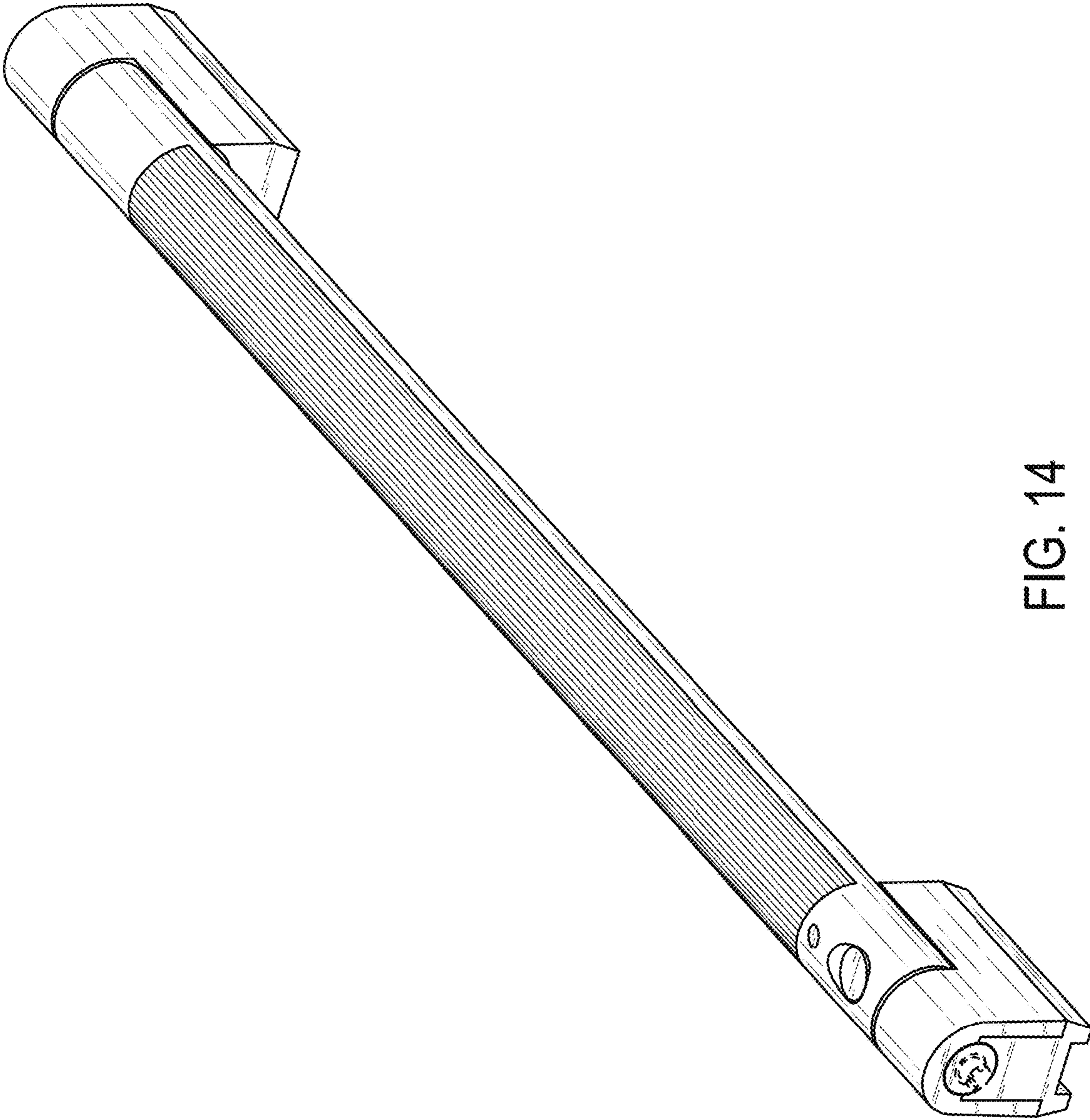


FIG. 14