



US00D796102S

(12) **United States Design Patent**
Amin et al.

(10) **Patent No.:** **US D796,102 S**
(45) **Date of Patent:** **** Aug. 29, 2017**

(54) **LIGHT FIXTURE**

(71) Applicant: **Hubbell Incorporated**, Shelton, CT
(US)

(72) Inventors: **Gaurav Amin**, Bensalem, PA (US);
David Simoni, Greenville, SC (US);
Dhavalkumar Patel, Greer, SC (US);
Dinesh Kumar M., Tamil Nadu (IN);
Giancarlo Gabilondo, CD. Juarez
(MX)

(73) Assignee: **Hubbell Incorporated**, Shelton, CT
(US)

(**) Term: **15 Years**

(21) Appl. No.: **29/560,660**

(22) Filed: **Apr. 8, 2016**

(51) **LOC (10) Cl.** **26-05**

(52) **U.S. Cl.**
USPC **D26/74**

(58) **Field of Classification Search**
USPC D26/23–27, 37–40, 42, 43, 60, 61, 63,
D26/65, 67, 70, 72, 74–84, 88, 89, 91,
D26/104, 106, 113, 118–120, 122,
D26/135–138, 140–144, 152, 153;
D10/111–115; D13/134, 179; D14/473;
D25/126–135
CPC F21S 2/00; F21S 4/20; F21S 8/00; F21S
8/02; F21S 8/026; F21S 8/031; F21S
8/035; F21S 8/037; F21S 9/00; F21V
21/005; F21V 21/096; F21V 33/00
See application file for complete search history.

(56) **References Cited**

U.S. PATENT DOCUMENTS

D395,727 S * 6/1998 Thorton, Jr. D26/76
D407,473 S * 3/1999 Wimbock D23/328
6,655,819 B2 * 12/2003 Loga F21S 8/02
362/222
D545,482 S * 6/2007 Mayfield, III D26/118

D561,383 S * 2/2008 Hukle D26/120
D593,246 S * 5/2009 Fowler, Jr. D26/76
D596,779 S * 7/2009 Silver D26/88
(Continued)

OTHER PUBLICATIONS

TKD LED Retrofit Kit (available online Feb. 5, 2015) Retrieved
from the internet Apr. 4, 2017, retrieved from the internet URL:
www.premierltg.com/case-study-led-office-retrofit/tkd_image_
0225141/*

(Continued)

Primary Examiner — Garth Rademaker
Assistant Examiner — Richard Kearney
(74) *Attorney, Agent, or Firm* — Michael Best &
Friedrich, LLP

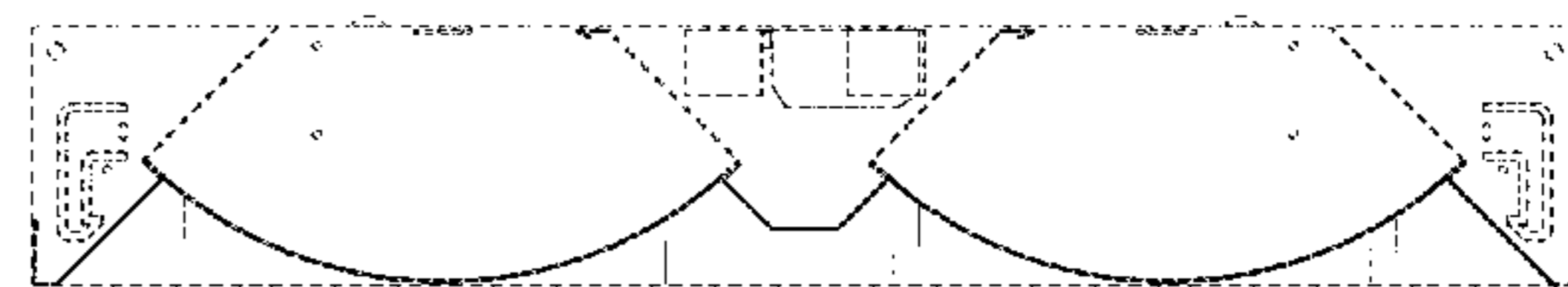
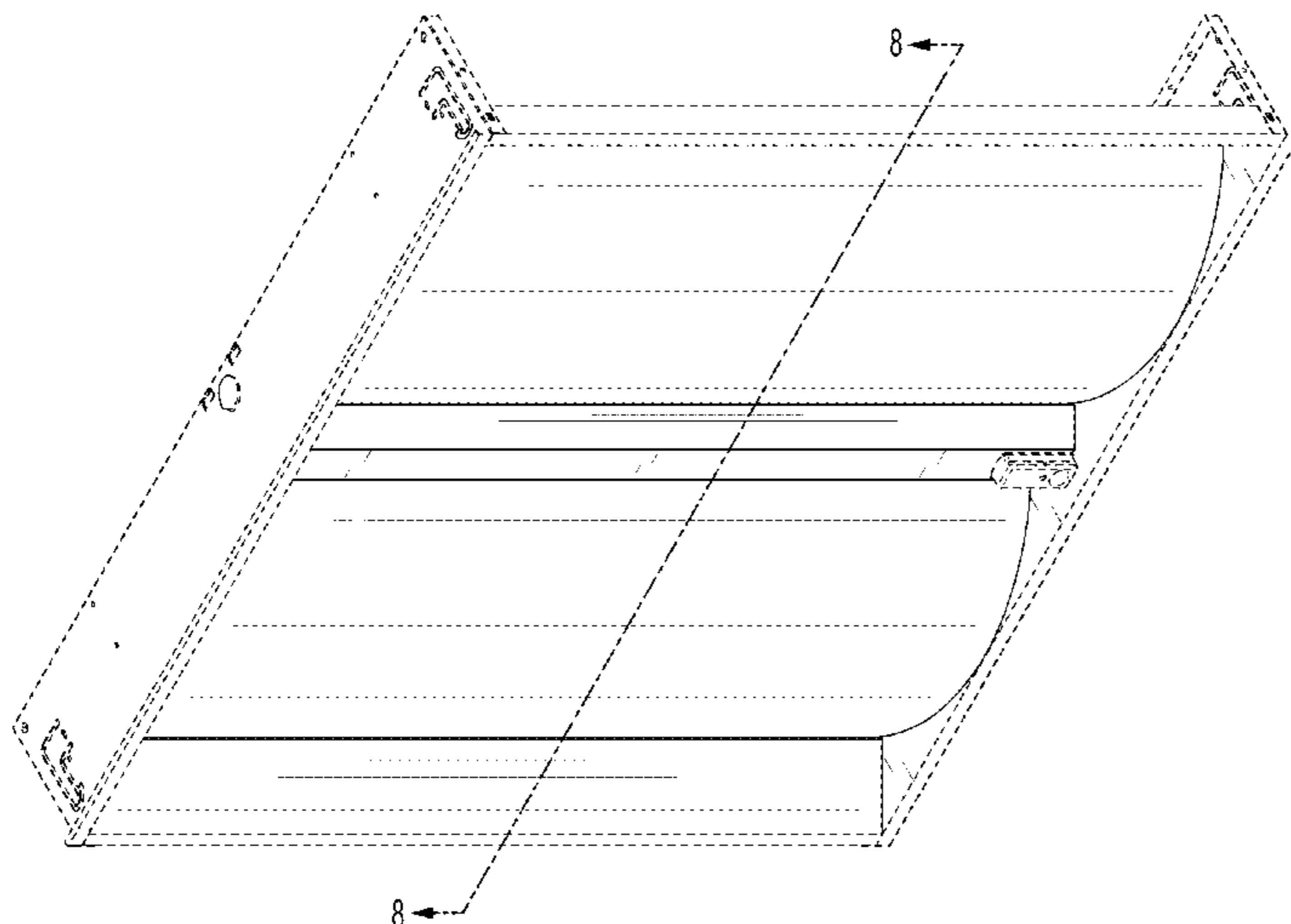
(57) **CLAIM**

We claim the ornamental design for a light fixture, as shown
and described.

DESCRIPTION

FIG. 1 is a perspective view of a light fixture showing our
new design.
FIG. 2 is a first side view of the light fixture shown in FIG.
1.
FIG. 3 is a second side view of the light fixture shown in
FIG. 1.
FIG. 4 is a first end view of the light fixture shown in FIG.
1.
FIG. 5 is a second end view of the light fixture shown in FIG.
1.
FIG. 6 is a top view of the light fixture shown in FIG. 1.
FIG. 7 is a bottom view of the light fixture shown in FIG. 1;
and,
FIG. 8 is a cross-section view of the light fixture shown in
FIG. 1, taken along line 8-8 of FIG. 1.
The broken lines shown in the drawings illustrate portions of
the light fixture that form no part of the claimed design.

1 Claim, 8 Drawing Sheets



(56)

References Cited

U.S. PATENT DOCUMENTS

D604,000 S * 11/2009 Fowler, Jr. D26/76
 7,635,198 B2 * 12/2009 Mayfield, III F21S 8/02
 362/220
 D608,490 S * 1/2010 Chung D26/118
 D608,932 S * 1/2010 Castelli D26/76
 D609,854 S * 2/2010 Lown D26/120
 D633,247 S * 2/2011 Kong D26/76
 8,038,318 B2 * 10/2011 Plunk F21S 8/02
 362/217.11
 D657,904 S * 4/2012 Mayfield, III D26/122
 D665,119 S * 8/2012 Bryant D26/122
 D675,364 S * 1/2013 Watt D26/74
 D678,597 S * 3/2013 Lehman D26/120
 D692,610 S * 10/2013 Sitariski D26/118
 D707,873 S * 6/2014 Boyer D26/74
 D729,435 S * 5/2015 Arndt D26/118
 D762,909 S * 8/2016 Shi D26/76

9,512,977 B2 * 12/2016 Pickard F21V 7/0066
 D776,862 S * 1/2017 Plourde H05B 33/0803
 D26/118
 2015/0267873 A1 * 9/2015 Price F21V 21/03
 362/235
 2016/0245481 A1 * 8/2016 Kim F21S 2/00

OTHER PUBLICATIONS

Metalux ArcLine LED-based ceiling troffer (available online Jan. 18, 2013) Retrieved from the internet Apr. 4, 2017, retrieved from the internet URL: <http://www.ledsmagazine.com/articles/iif/2013/01/cooper-announces-metalux-arcline-led-based-ceiling-troffer-family.html>.
 LED Twin Architectural Luminaire (available online) Retrieved from the internet Apr. 4, 2017, retrieved from the internet URL: www.columbialighting.com/products/tcat.

* cited by examiner

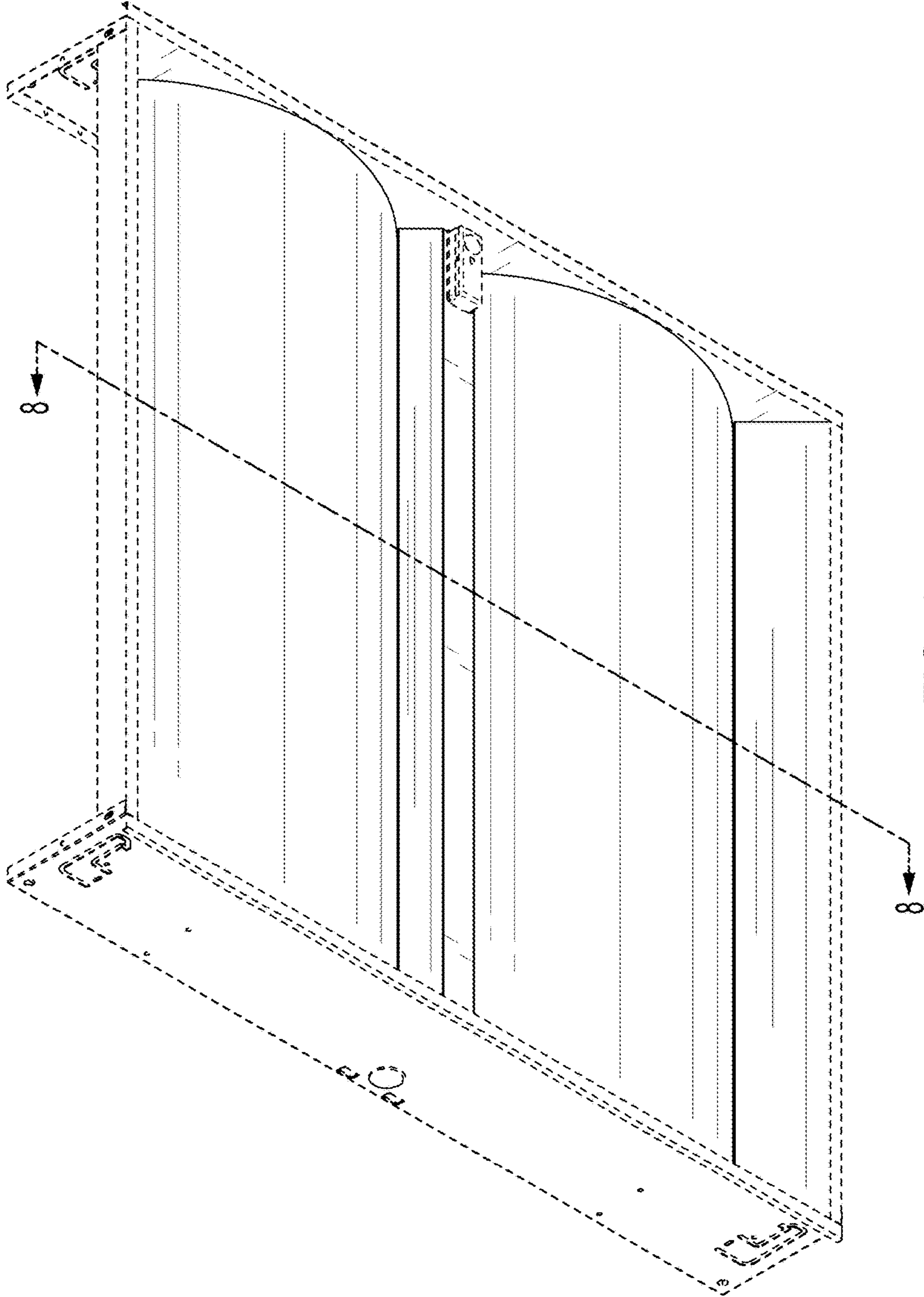


FIG. 1

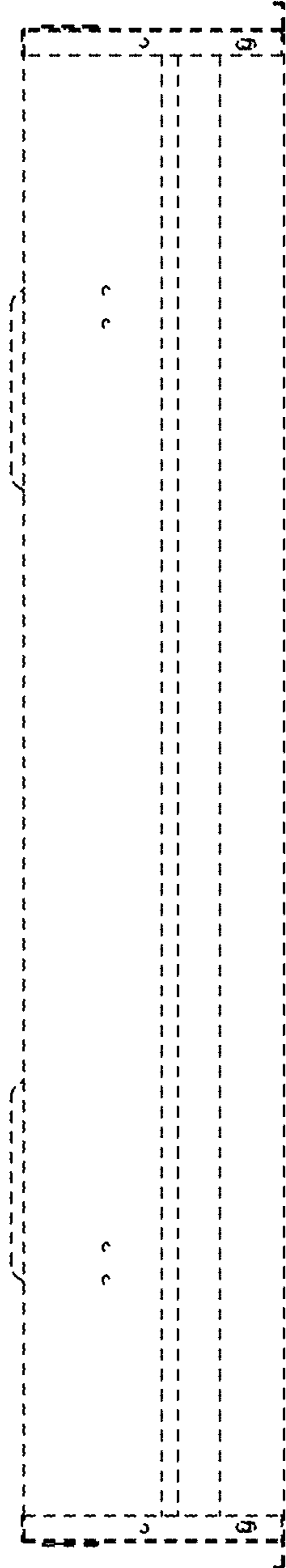


FIG. 2

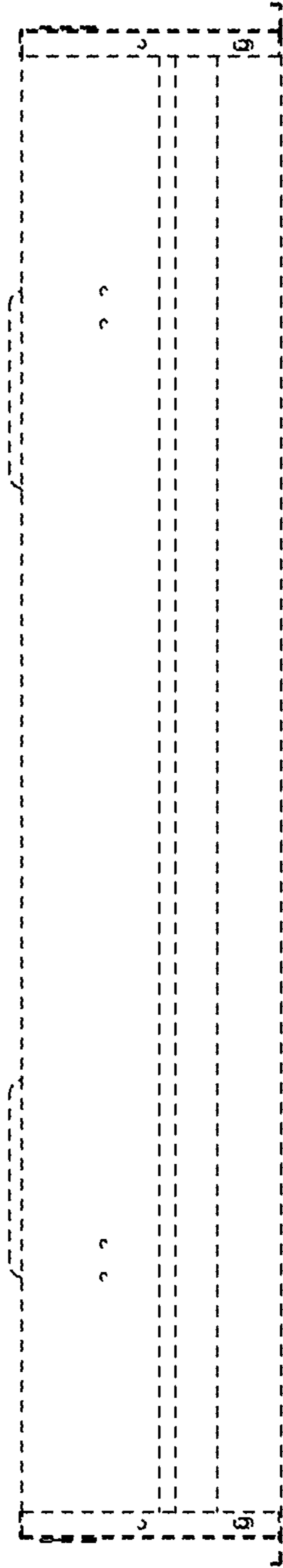


FIG. 3

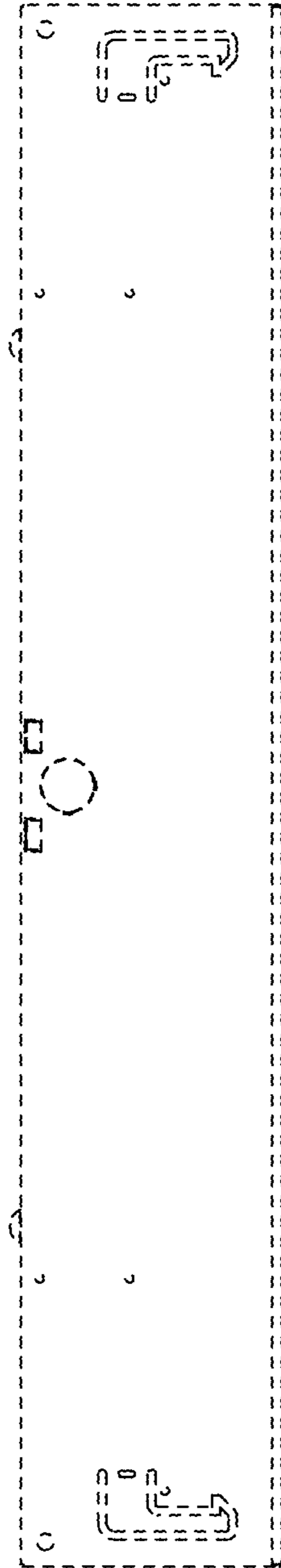


FIG. 4

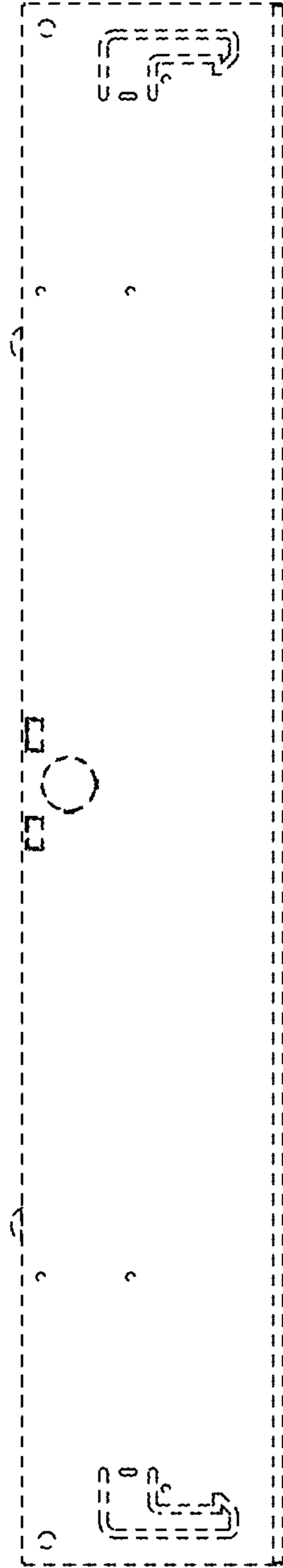


FIG. 5

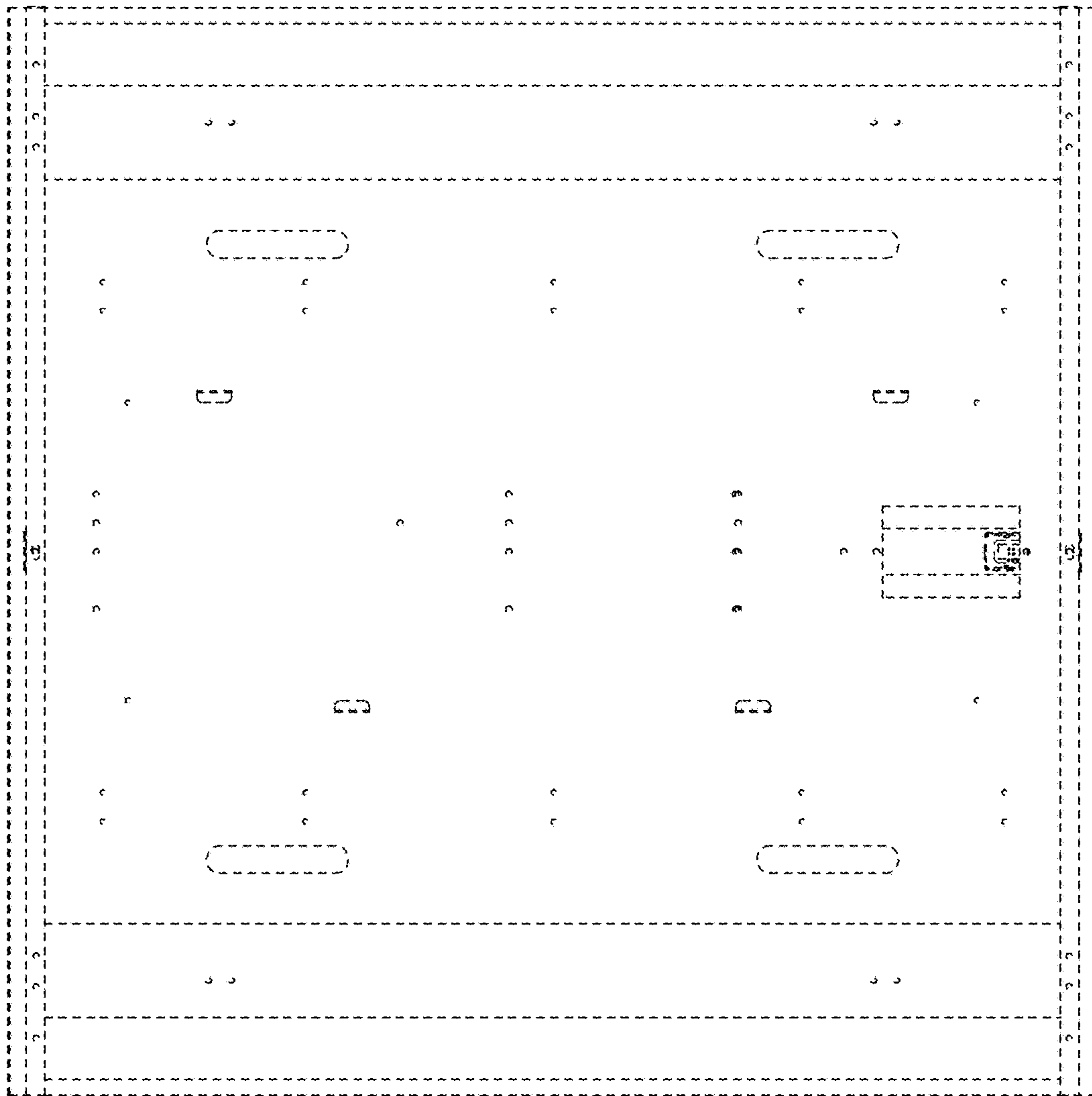


FIG. 6

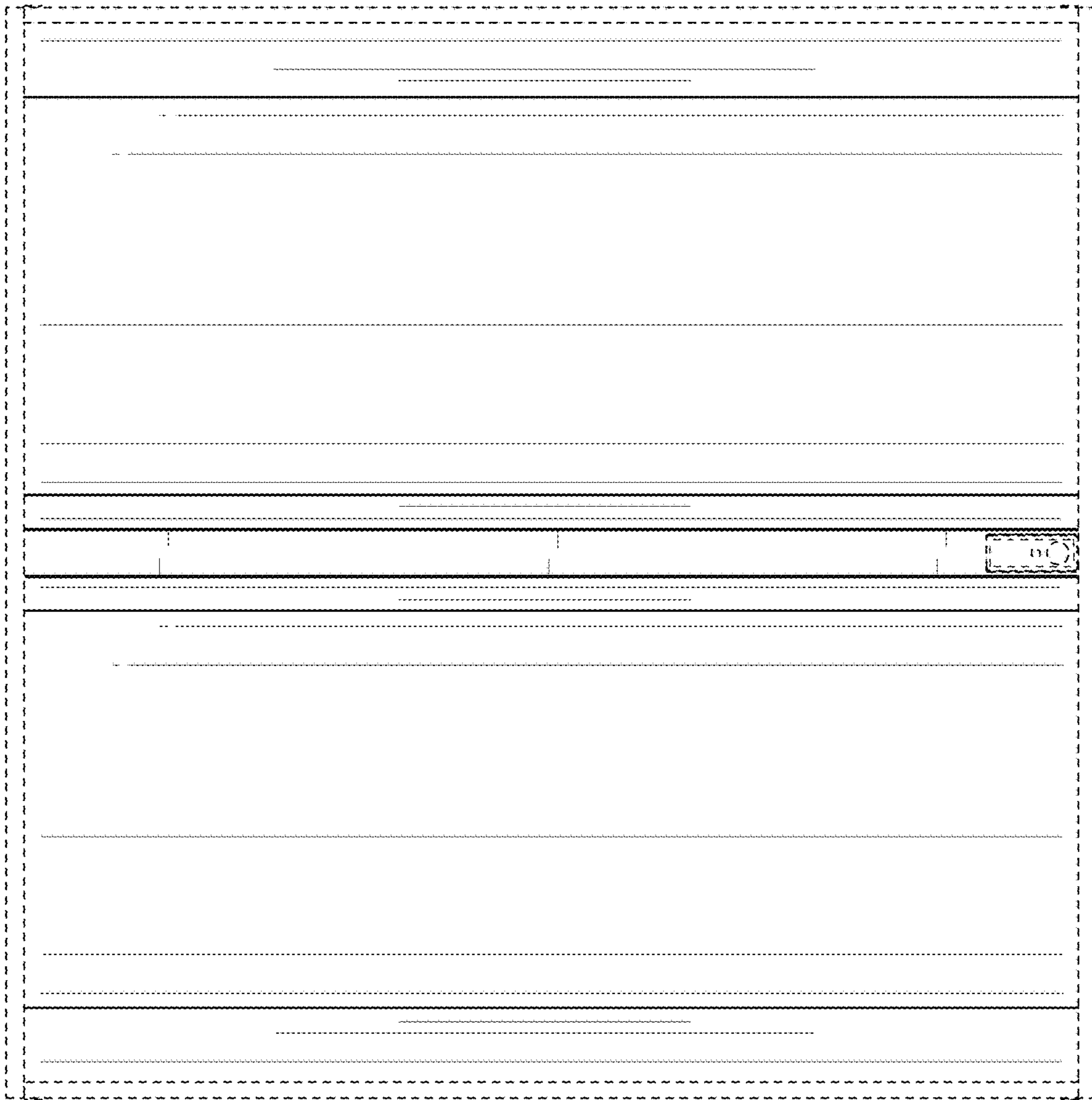


FIG. 7

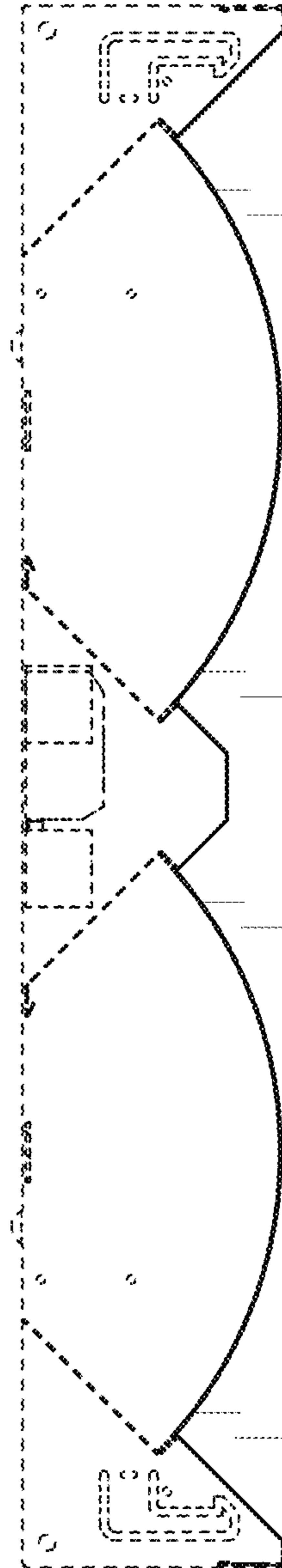


FIG. 8