



US00D796101S

(12) **United States Design Patent**  
**Verfuерth et al.**

(10) **Patent No.:** **US D796,101 S**

(45) **Date of Patent:** **\*\* Aug. 29, 2017**

(54) **LIGHTING FIXTURE**

(71) Applicant: **Energy Bank Incorporated,**  
Manitowoc, WI (US)

(72) Inventors: **Neal R. Verfuерth,** Manitowoc, WI  
(US); **Brandon James King,**  
Manitowoc, WI (US)

(73) Assignee: **Energy Bank Incorporated,**  
Manitowoc, WI (US)

(\*\*) Term: **15 Years**

(21) Appl. No.: **29/564,480**

(22) Filed: **May 13, 2016**

**Related U.S. Application Data**

(63) Continuation-in-part of application No. 15/074,421,  
filed on Mar. 18, 2016.

(51) **LOC (10) Cl.** ..... **26-05**

(52) **U.S. Cl.**  
USPC ..... **D26/71**

(58) **Field of Classification Search**  
USPC ..... D26/63, 70, 71, 72, 76, 80, 87, 88, 89,  
D26/92, 118

(Continued)

(56) **References Cited**

**U.S. PATENT DOCUMENTS**

D125,468 S \* 2/1941 Dreyfuss ..... D26/24  
D209,982 S \* 1/1968 Cohen ..... D26/24

(Continued)

*Primary Examiner* — Clare E Heflin

(74) *Attorney, Agent, or Firm* — Smith Keane LLP

(57) **CLAIM**

The ornamental design for a lighting fixture, as shown and described.

**DESCRIPTION**

FIG. 1 is a bottom perspective view of the lighting fixture according to a first embodiment;

FIG. 2 is an alternate bottom perspective view of the lighting fixture;

FIG. 3 is a top perspective view of the lighting fixture;

FIG. 4 is a bottom plan view of the lighting fixture;

FIG. 5 is a top plan view of the lighting fixture;

FIG. 6 is a right side elevation view of the lighting fixture;

FIG. 7 is a front end elevation view of the lighting fixture;

FIG. 8 is a bottom perspective view of the lighting fixture according to a second embodiment;

FIG. 9 is an alternate bottom perspective view of the lighting fixture of FIG. 8;

FIG. 10 is a top perspective view of the lighting fixture of FIG. 8;

FIG. 11 is a bottom plan view of the lighting fixture of FIG. 8;

FIG. 12 is a top plan view of the lighting fixture of FIG. 8;

FIG. 13 is a right side elevation view of the lighting fixture of FIG. 8; and,

FIG. 14 is a front end elevation view of the lighting fixture of FIG. 8.

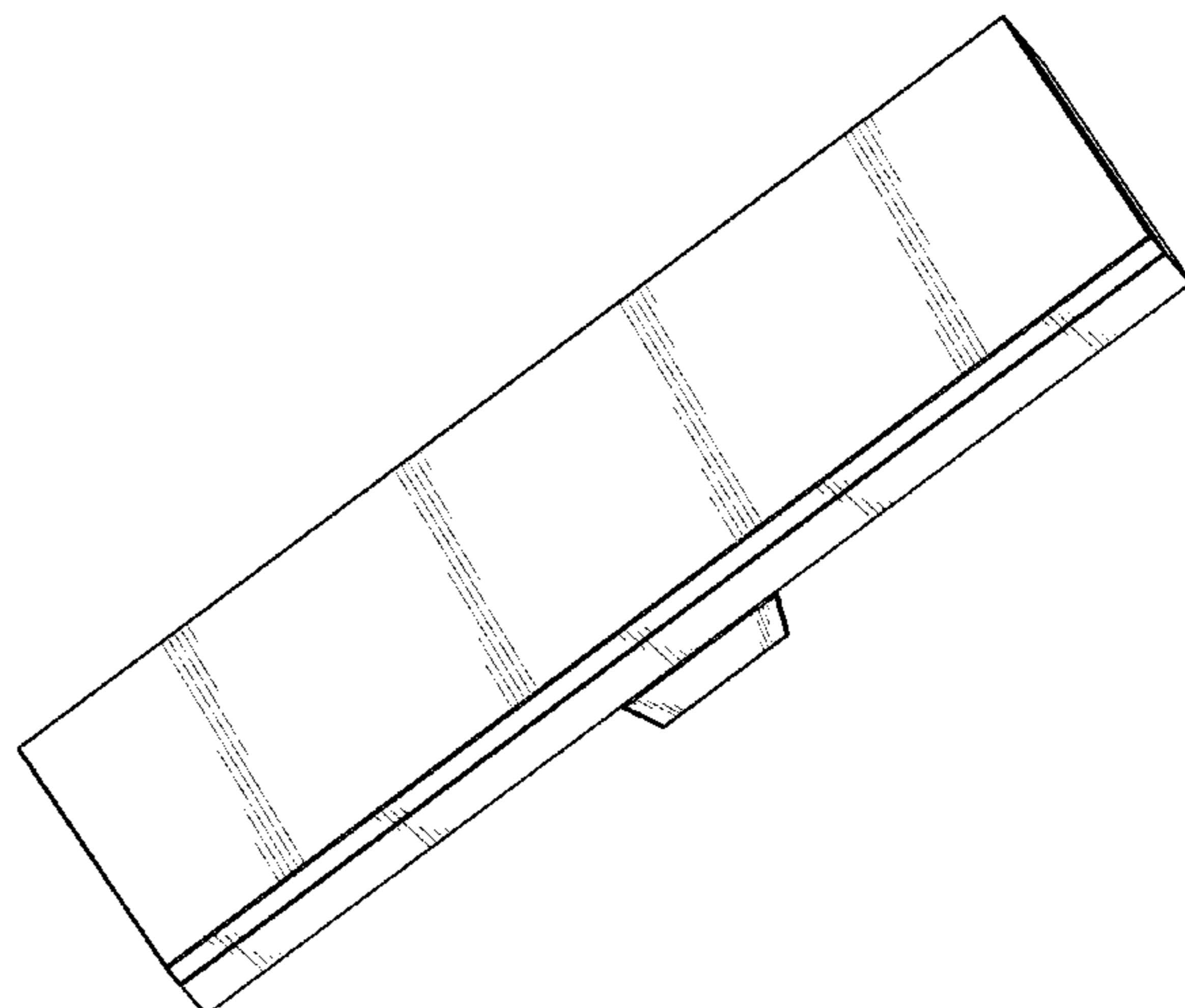
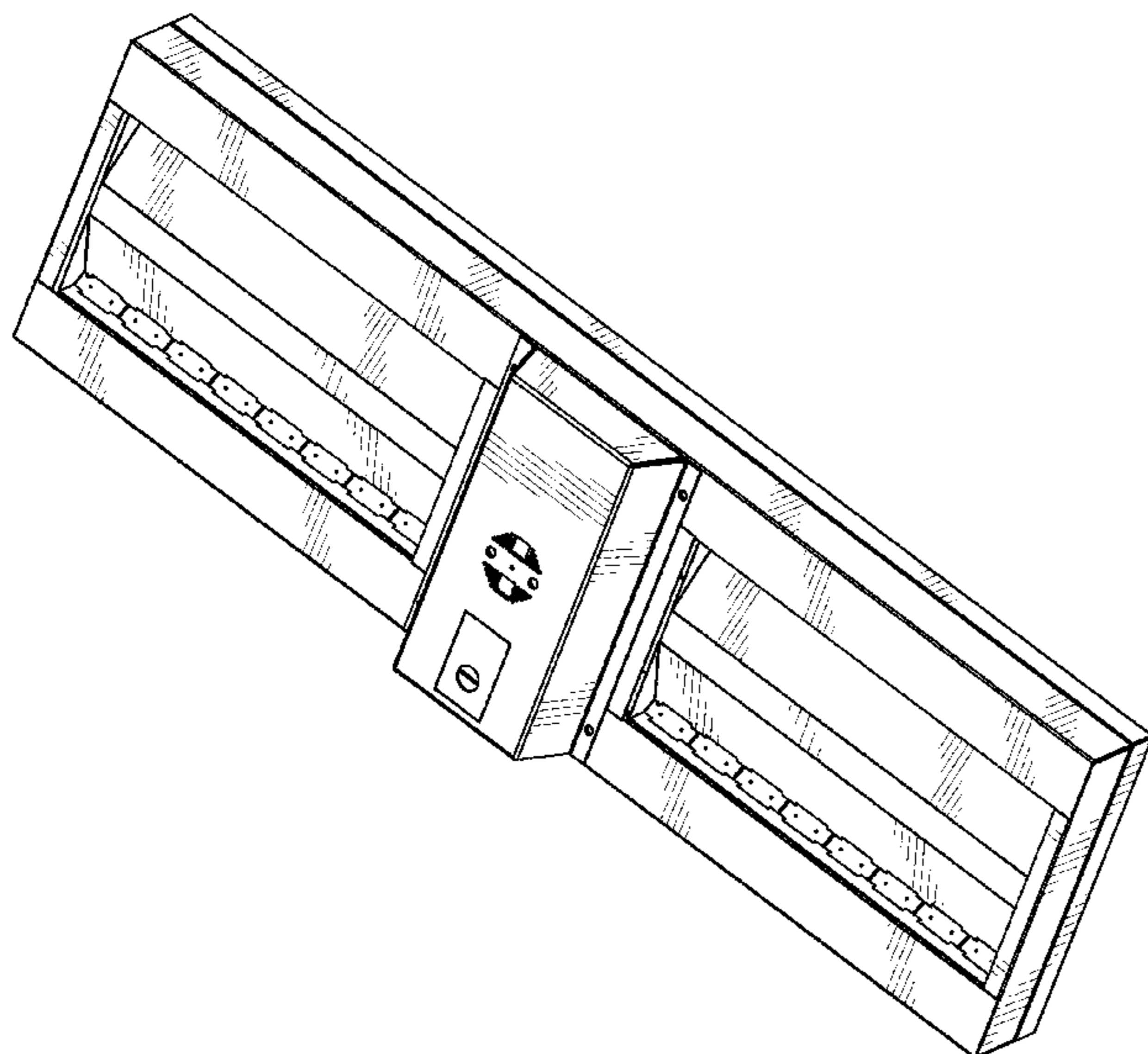
While FIG. 6 is a right side elevation view of the lighting fixture of FIG. 1; the left side elevation view of the lighting fixture of FIG. 1 is identical to FIG. 6 and is not shown.

While FIG. 7 is a front end elevation view of the lighting fixture of FIG. 1; the rear end elevation view of the lighting fixture of FIG. 1 is identical to FIG. 7 and is not shown.

While FIG. 13 is a right side elevation view of the lighting fixture of FIG. 8; the left side elevation view of the lighting fixture of FIG. 8 is identical to FIG. 13 and is not shown.

While FIG. 14 is a front end elevation view of the lighting fixture of FIG. 8; the rear end elevation view of the lighting fixture of FIG. 8 is identical to FIG. 14 and is not shown.

**1 Claim, 10 Drawing Sheets**



(58) **Field of Classification Search**

CPC .. F21S 8/033; F21S 8/035; F21S 8/036; F21S  
8/037; F21S 8/043; F21S 8/046; F21S  
8/06; F21S 8/061; F21S 8/063; F21S  
8/065; F21S 8/088; F21V 17/107; F21V  
5/007; F21V 21/30

See application file for complete search history.

(56) **References Cited**

U.S. PATENT DOCUMENTS

D284,110	S	*	6/1986	Mullins	.....	D26/76
D292,322	S	*	10/1987	Krol	.....	D26/72
5,649,759	A	*	7/1997	Korte	.....	F21S 8/035 362/222
D411,324	S	*	6/1999	Roorda	.....	D26/72
D411,325	S	*	6/1999	Roorda	.....	D26/72
RE40,158	E	*	3/2008	Weitgasser	.....	D26/76
D576,330	S	*	9/2008	Ruud	.....	D26/71
D580,583	S	*	11/2008	Pfund	.....	D26/76
D596,778	S	*	7/2009	Yamazato	.....	D26/76
D604,446	S	*	11/2009	Fowler, Jr.	.....	D26/76
D606,697	S	*	12/2009	Verfuert	.....	D26/76
D608,931	S	*	1/2010	Castelli	.....	D26/76
D608,933	S	*	1/2010	Castelli	.....	D26/76
D609,385	S	*	2/2010	Castelli	.....	D26/76
D609,386	S	*	2/2010	Castelli	.....	D26/76

\* cited by examiner

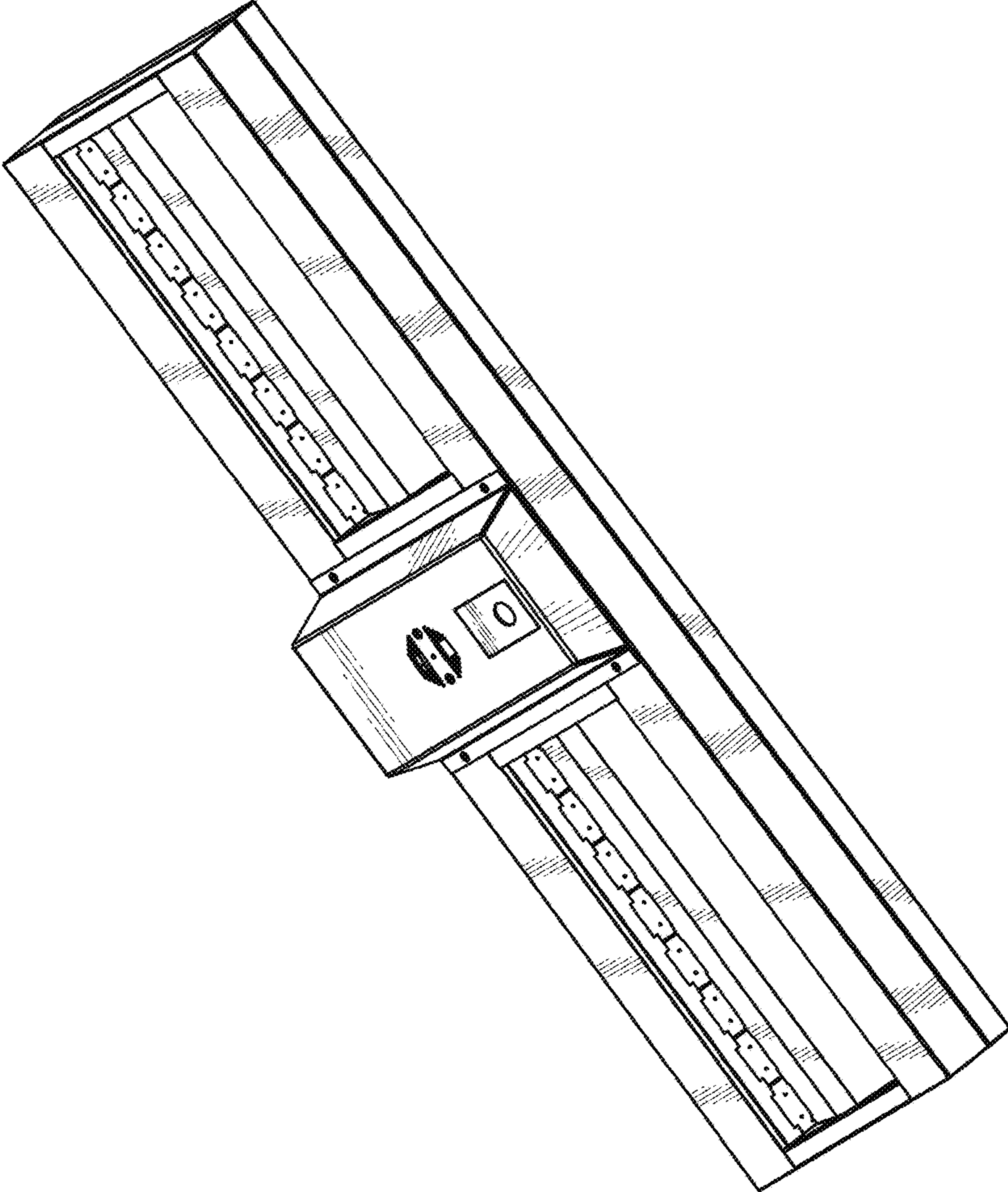


FIG. 1



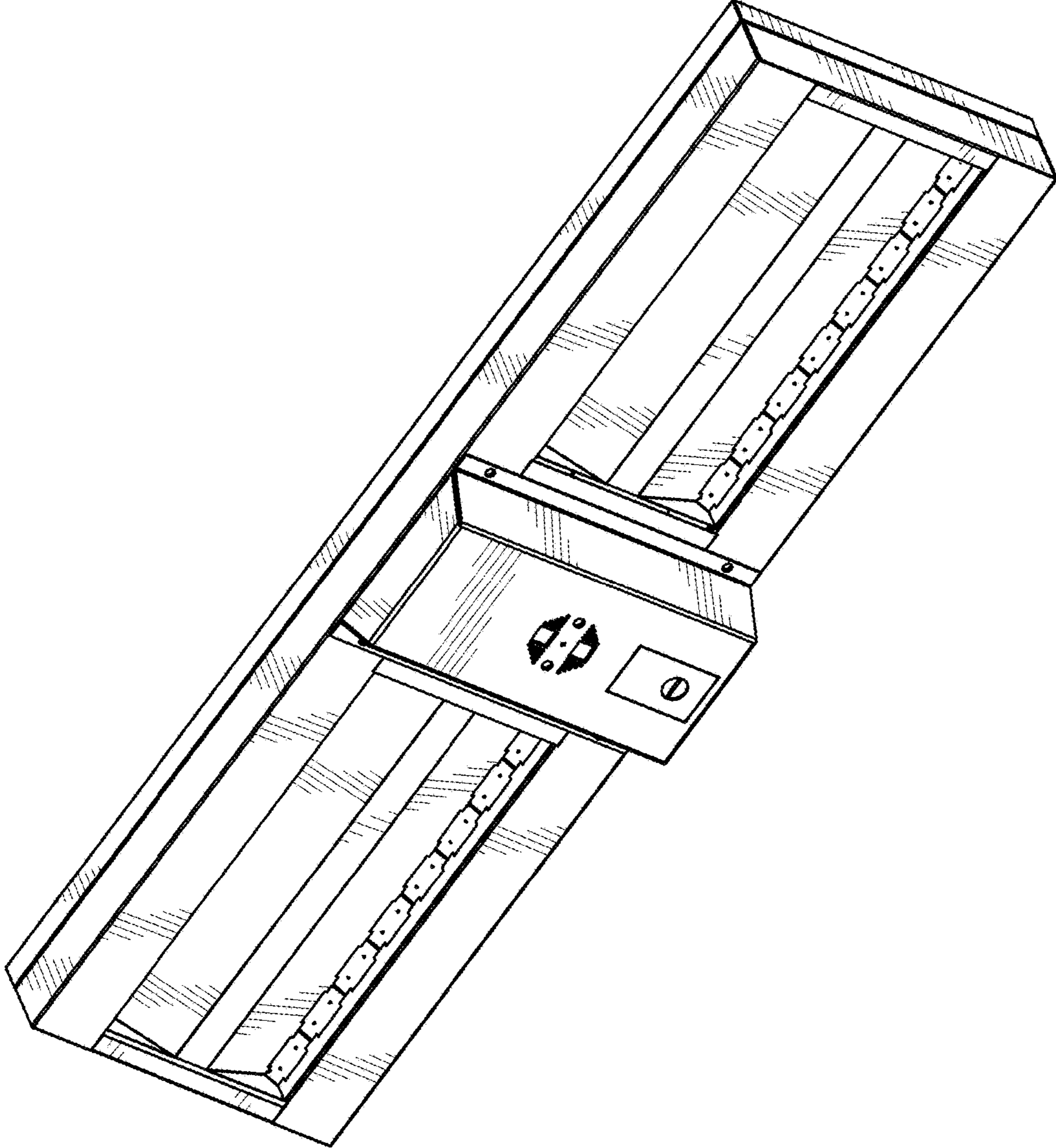


FIG. 2

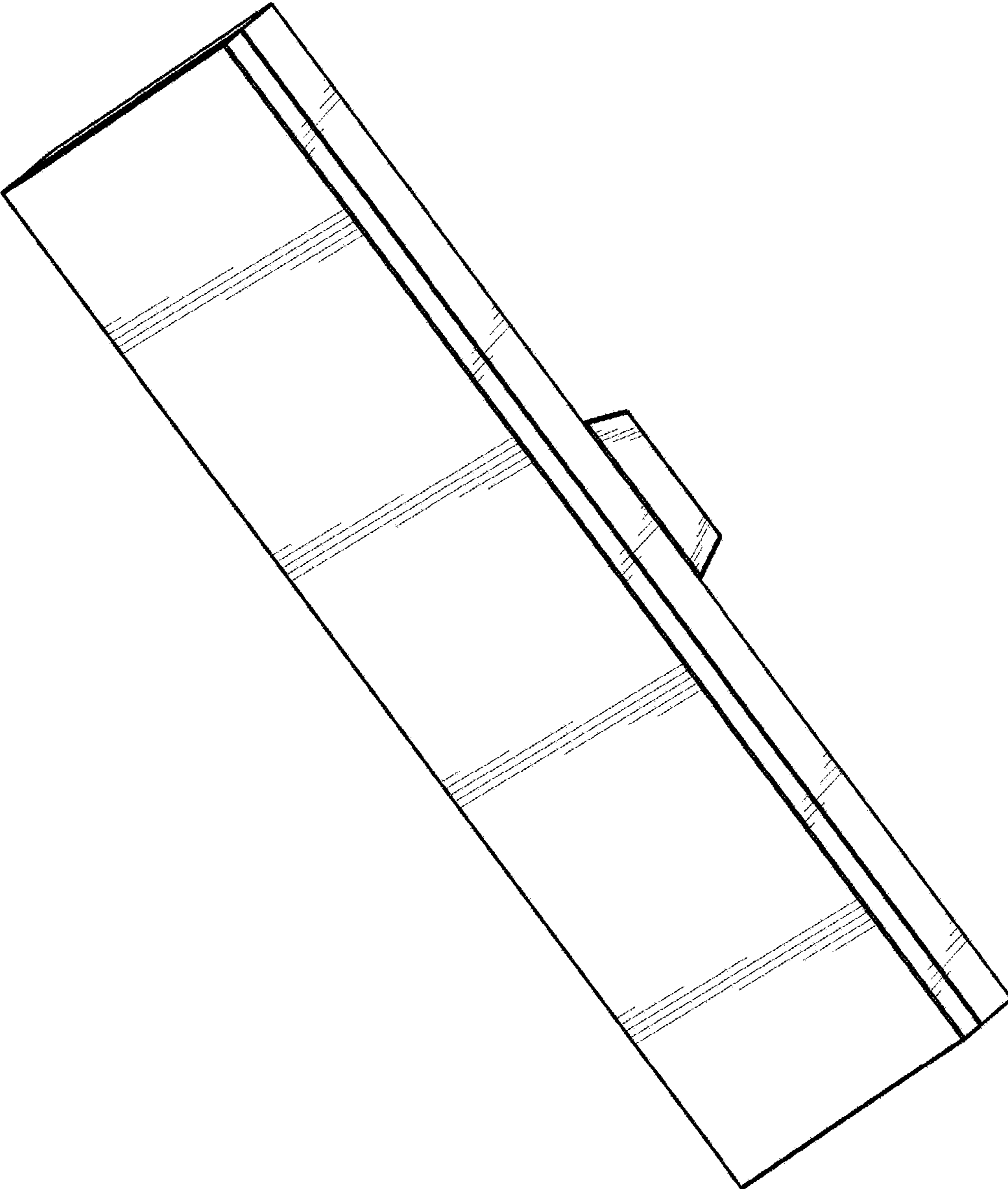


FIG. 3

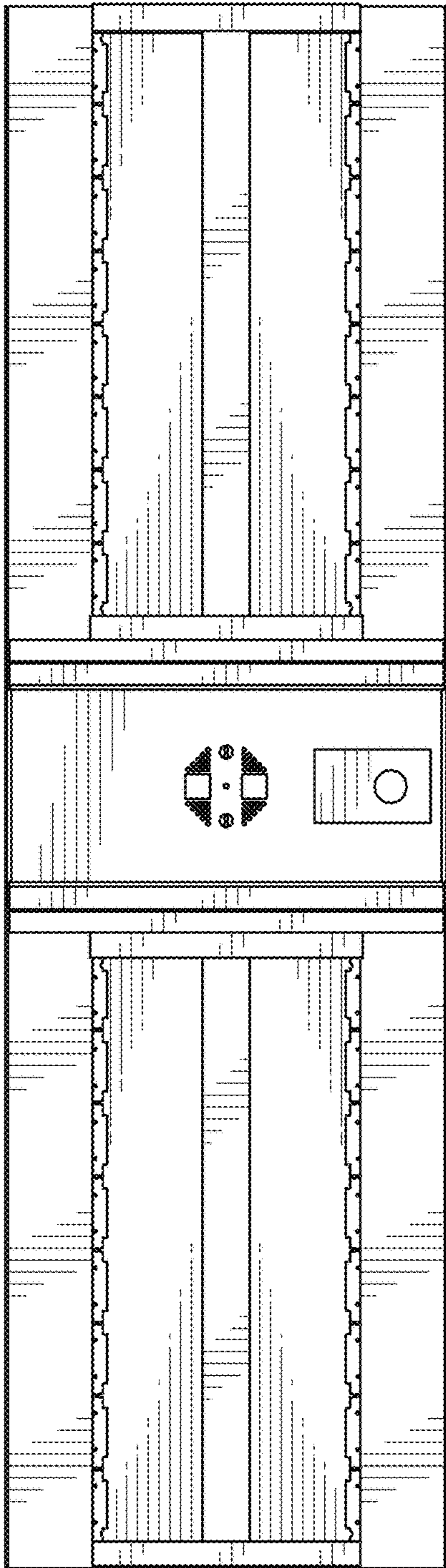


FIG. 4

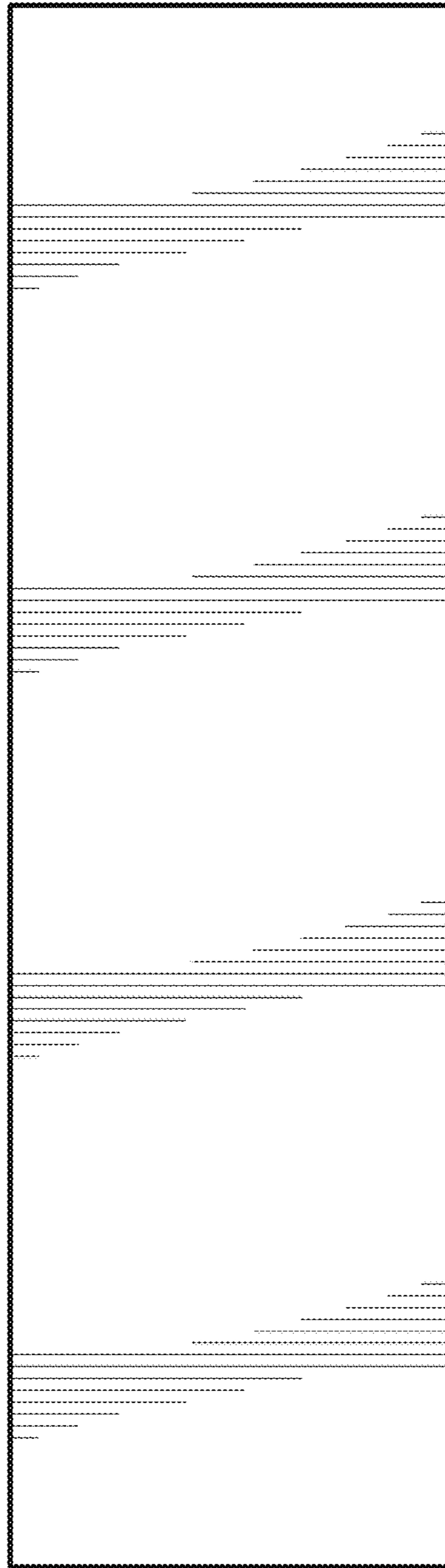


FIG. 5

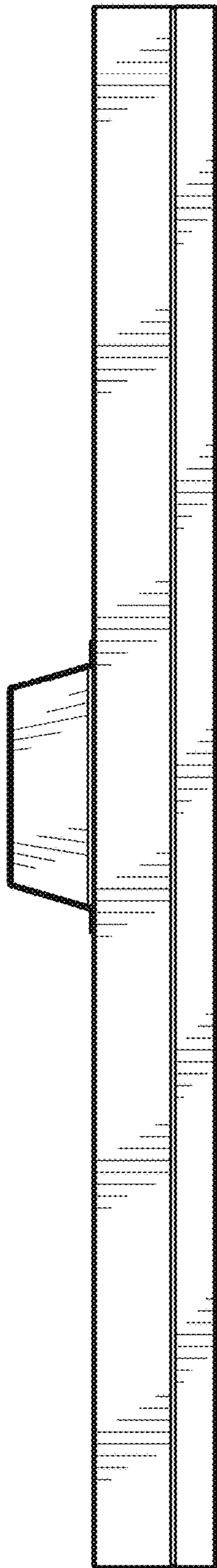


FIG. 6

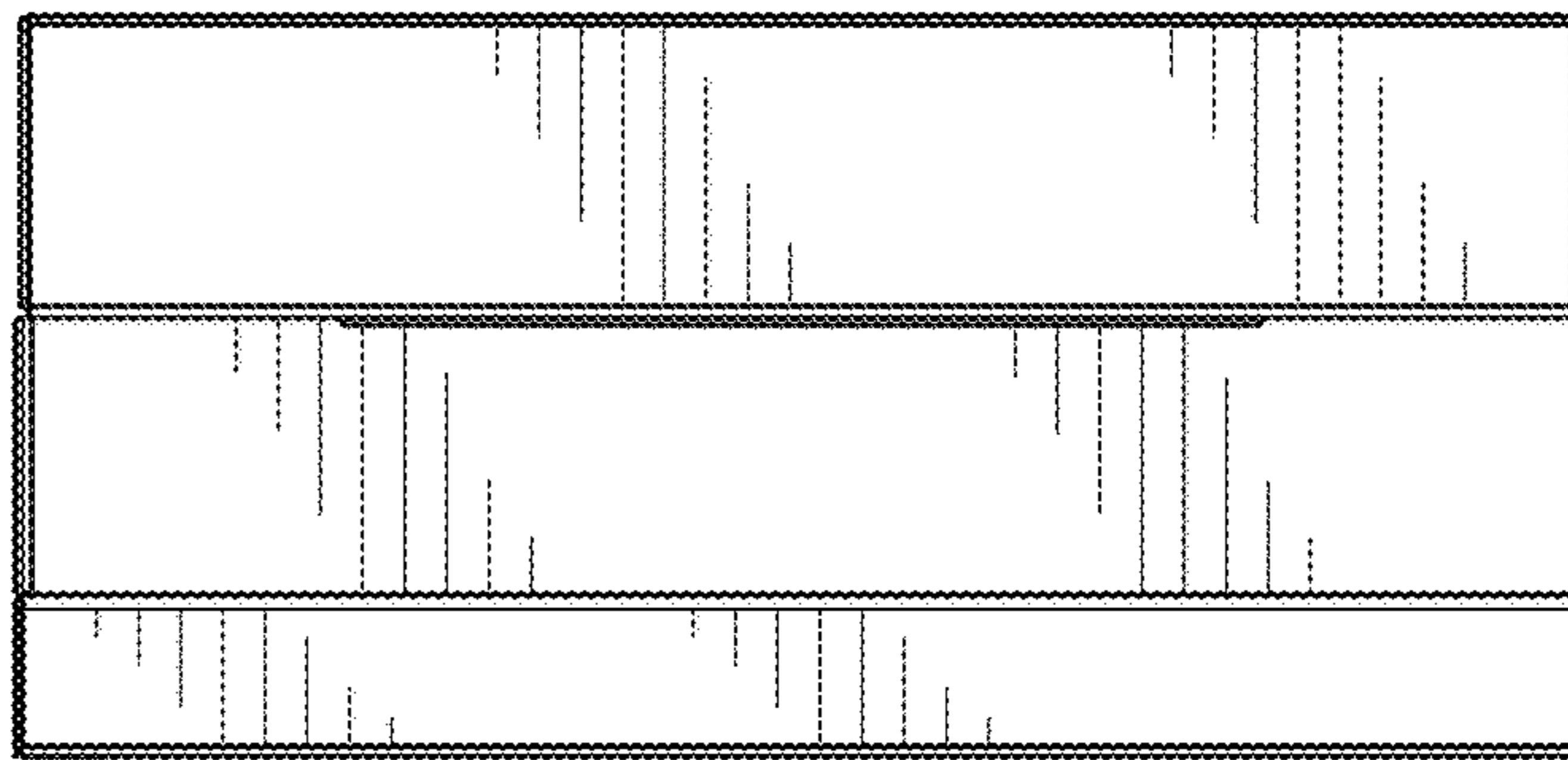


FIG. 7



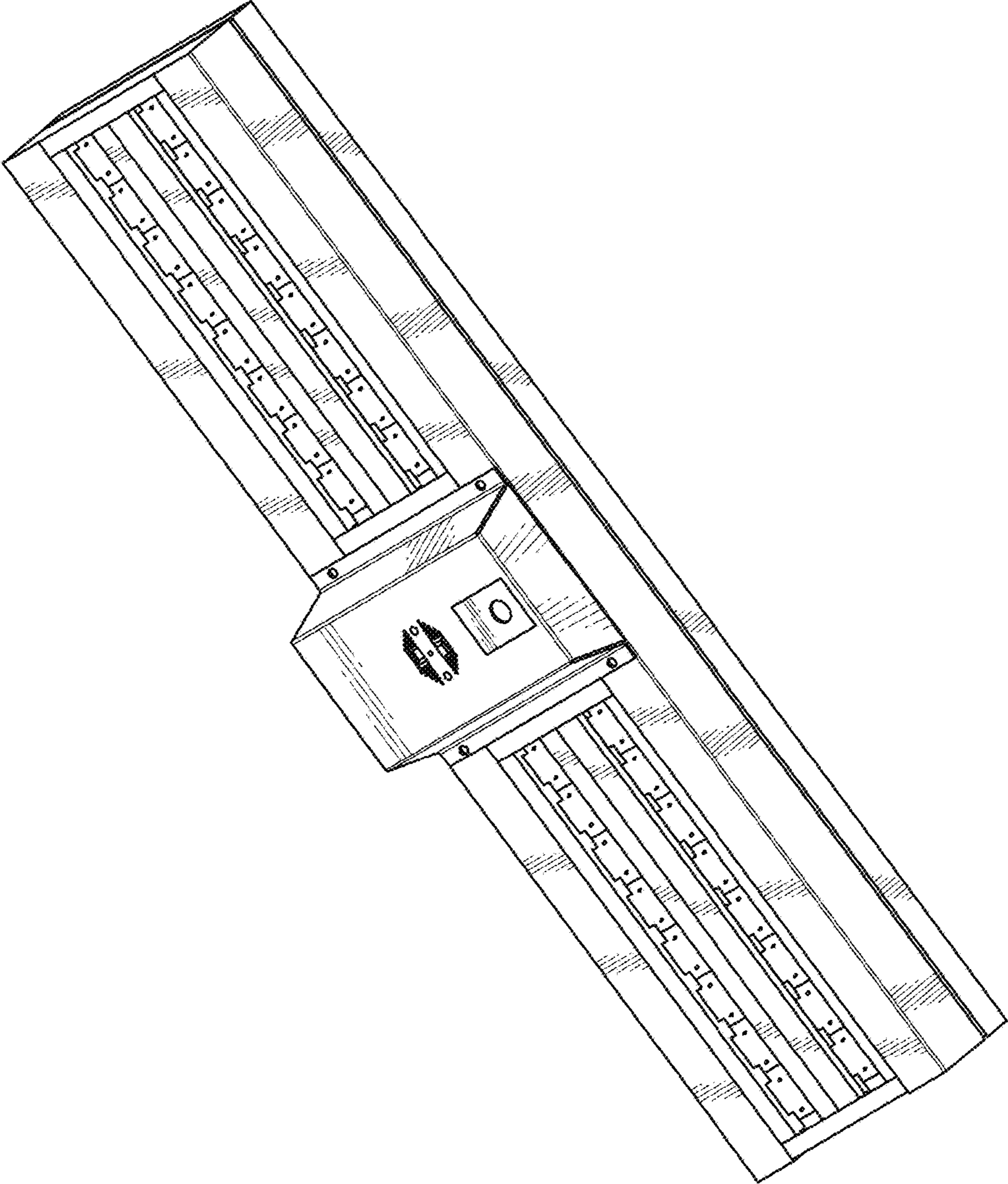


FIG. 8



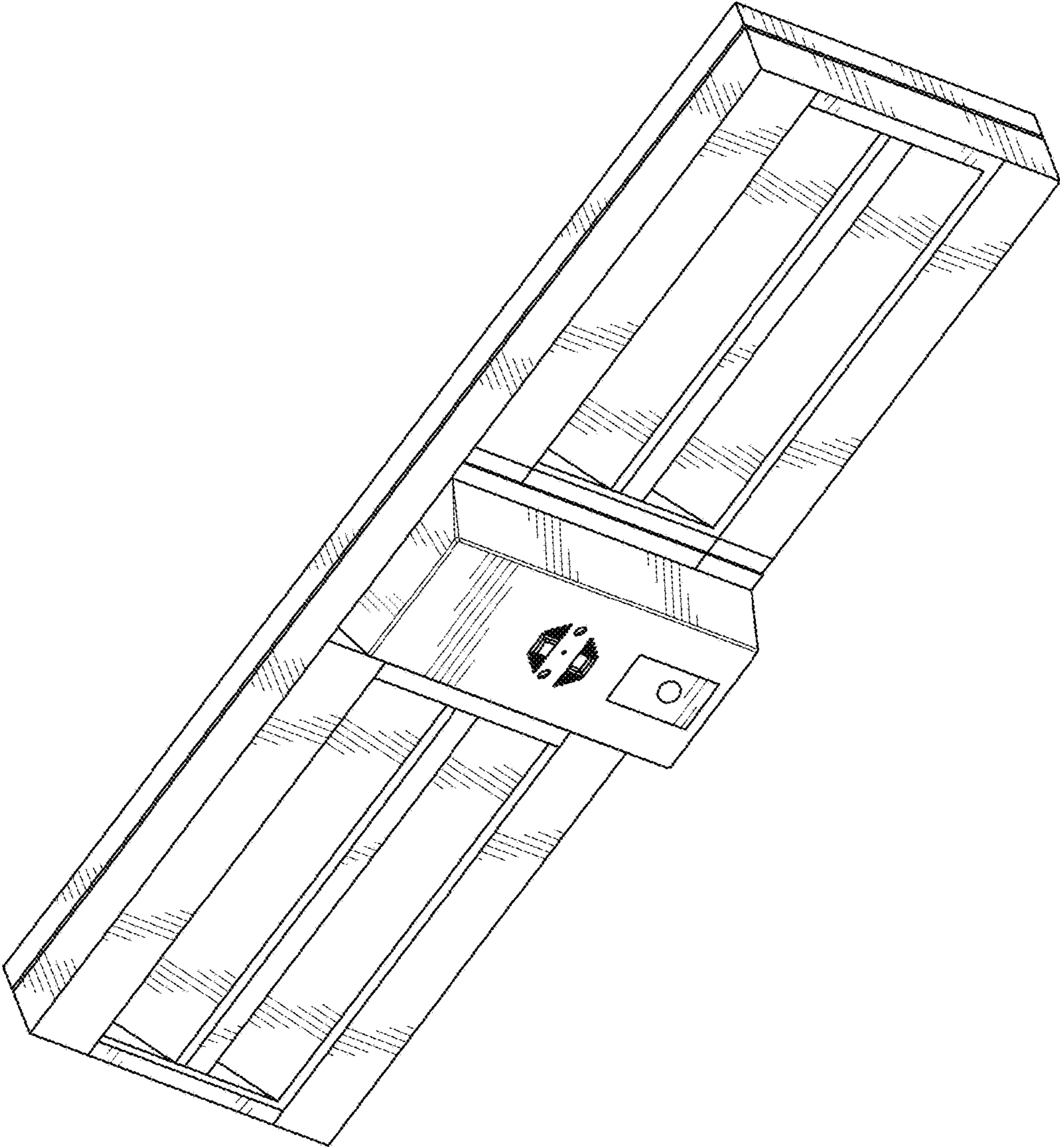


FIG. 9

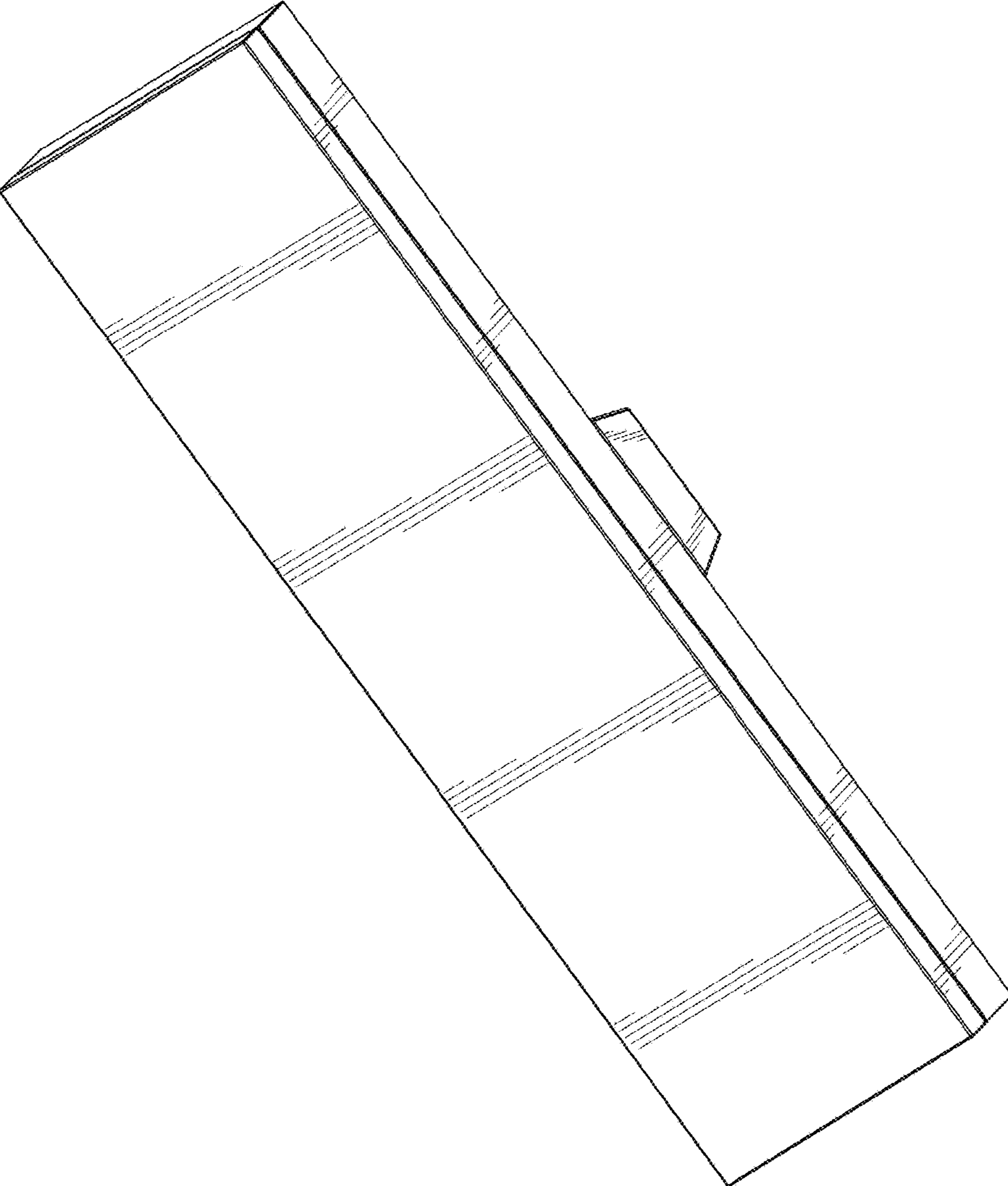


FIG. 10

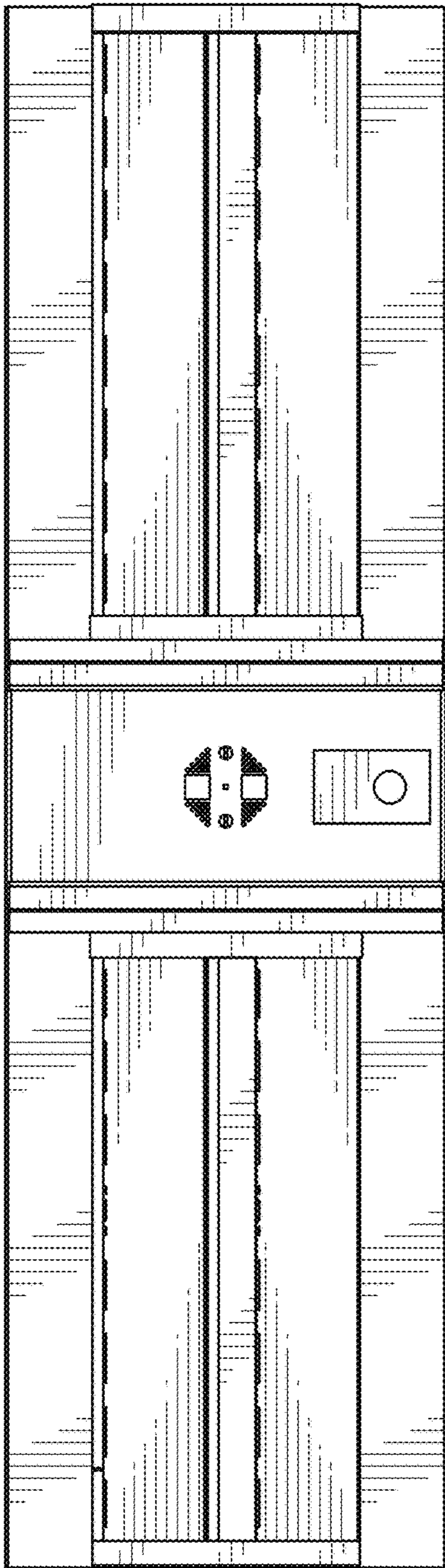


FIG. 11

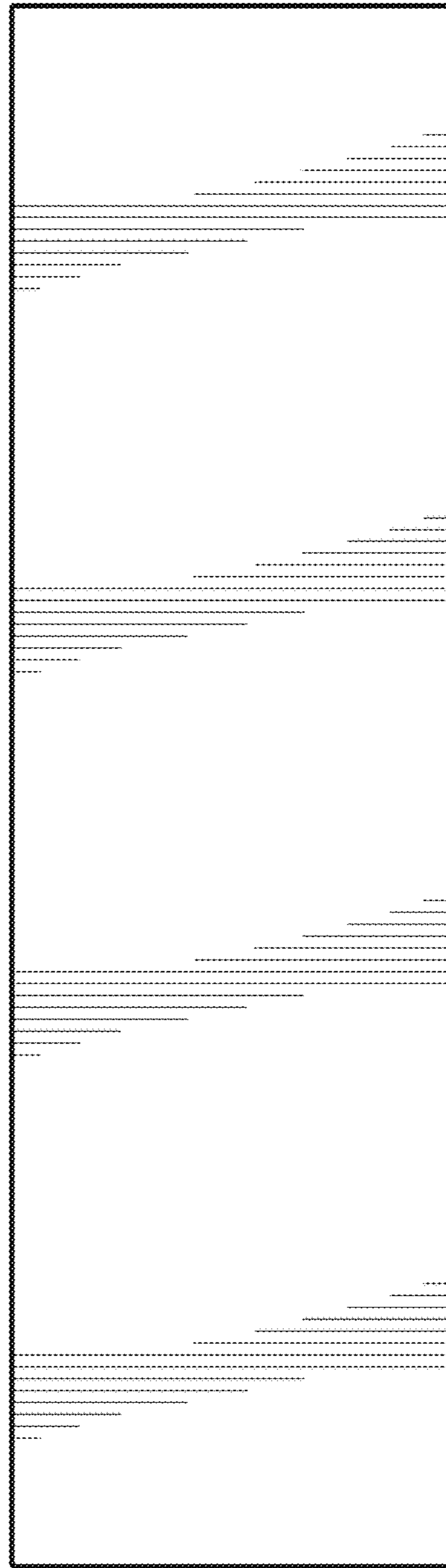


FIG. 12

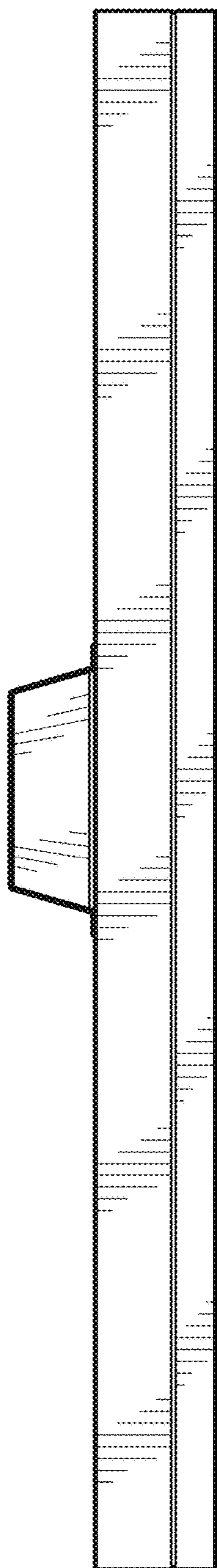


FIG. 13

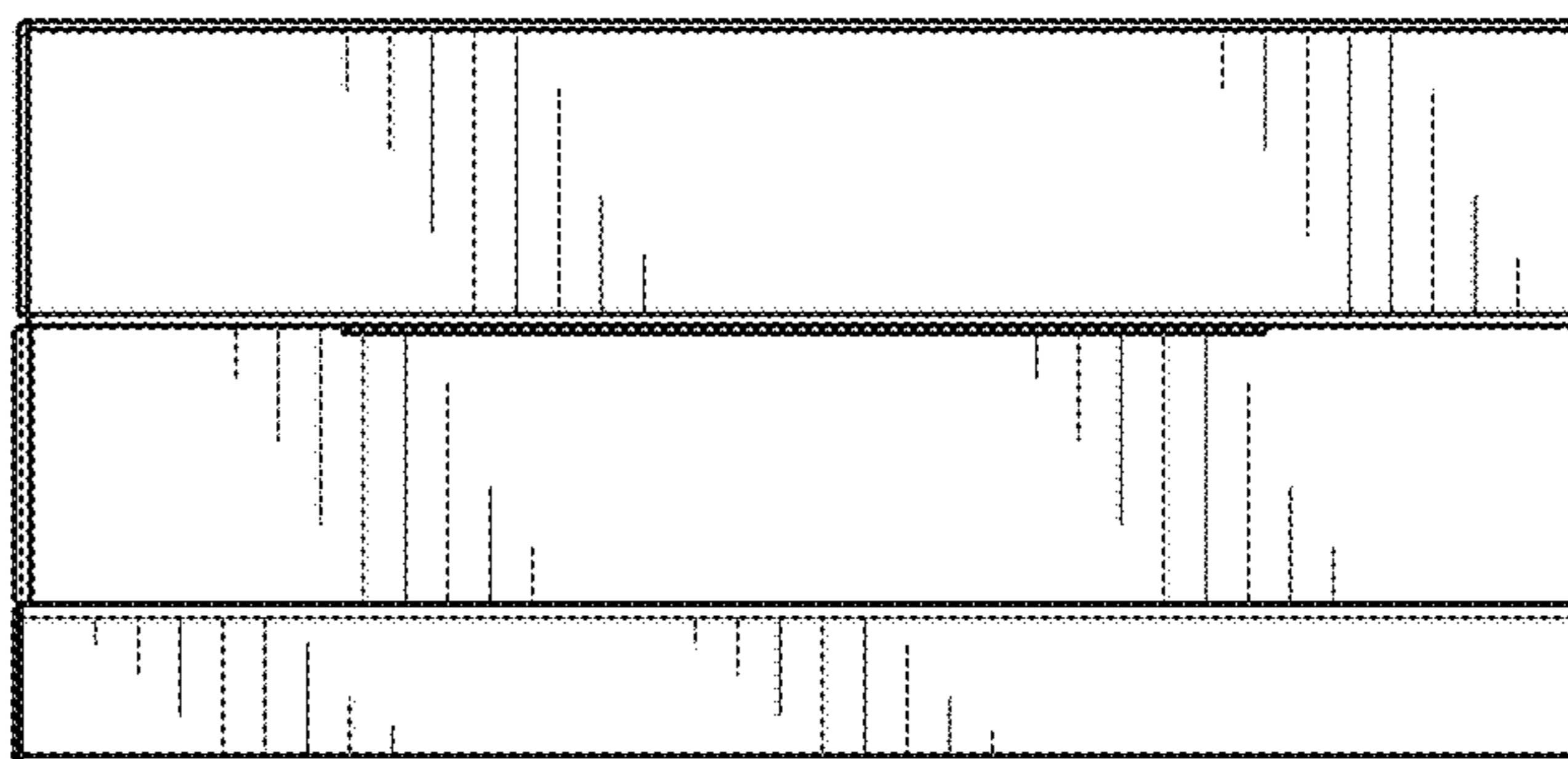


FIG. 14