



US00D796098S

(12) **United States Design Patent**
Grandadam

(10) **Patent No.:** **US D796,098 S**

(45) **Date of Patent:** **** Aug. 29, 2017**

- (54) **FLASHLIGHT**
- (71) Applicant: **Cody Grandadam**, Peru, IL (US)
- (72) Inventor: **Cody Grandadam**, Peru, IL (US)
- (73) Assignee: **Promier Products, Inc.**, Peru, IL (US)
- (**) Term: **15 Years**

D605,319 S *	12/2009	Devaney	D26/39
7,635,195 B2 *	12/2009	Tarter	F21L 4/00
				362/162
D712,579 S *	9/2014	Cen	D26/39
D715,982 S *	10/2014	Windom	D26/39
D723,201 S *	2/2015	Windom	D26/39
D723,202 S *	2/2015	Windom	D26/39
D724,248 S *	3/2015	Brands	D26/39
D725,302 S *	3/2015	Popper	D26/49
D729,426 S *	5/2015	Dalton	D26/39
D750,823 S *	3/2016	Sharrah	D26/39
D766,480 S *	9/2016	Bo	D26/60
2015/0192243 A1 *	7/2015	Sharrah	F16M 11/28
				362/190

(21) Appl. No.: **29/557,617**

(22) Filed: **Mar. 10, 2016**

(51) **LOC (10) Cl.** **26-02**

(52) **U.S. Cl.**
USPC **D26/39**

(58) **Field of Classification Search**
USPC D26/37, 38, 46, 51, 39
CPC F21L 2003/00; F21L 4/00; F21L 4/005;
F21L 4/02; F21L 4/025; F21L 4/027;
F21L 4/04; F21L 4/08; F21L 2005/00;
F21L 7/00; F21L 11/00; F21L 13/00;
F21L 13/04; F21L 13/08; F21L 14/02;
F21L 17/00; F21L 19/00

See application file for complete search history.

(56) **References Cited**

U.S. PATENT DOCUMENTS

D482,811 S *	11/2003	Petzl	D26/39
D518,209 S *	3/2006	Nagano	D26/39
D518,210 S *	3/2006	Nagano	D26/39
D529,213 S *	9/2006	Shiu	D26/39
D532,537 S *	11/2006	Shiu	D26/39
D547,475 S *	7/2007	Xu	D26/39
D549,372 S *	8/2007	Lee	D26/39
D560,298 S *	1/2008	Spartano	D26/39
D568,509 S *	5/2008	Shiu	D26/39

* cited by examiner

Primary Examiner — Lakiya Rogers

Assistant Examiner — Carissa C Fitts

(74) *Attorney, Agent, or Firm* — Justin Lampel

(57) **CLAIM**

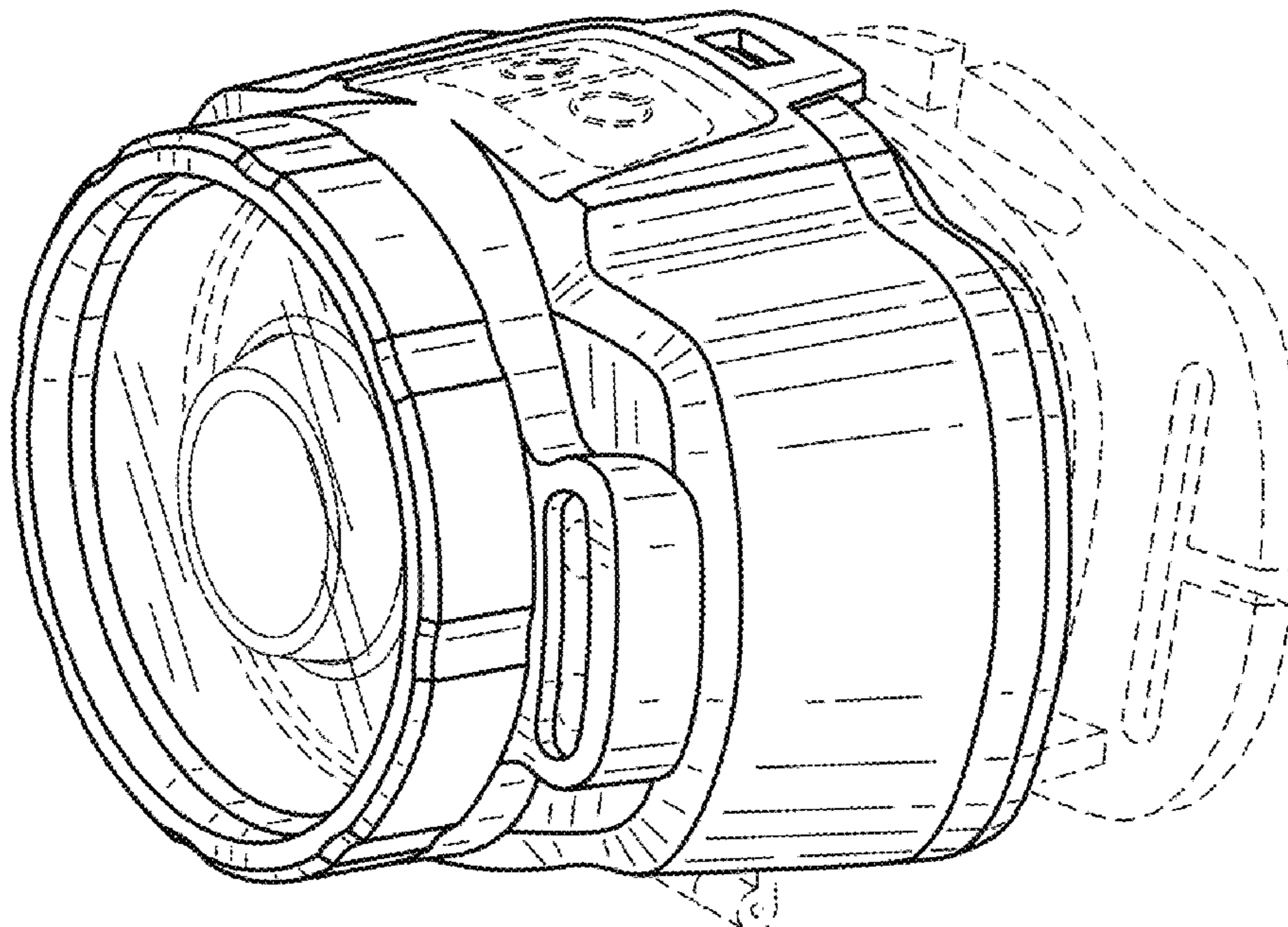
The ornamental design for a flashlight, as shown and described.

DESCRIPTION

FIG. 1 is a perspective view of the flashlight;
FIG. 2 is a front view of the flashlight;
FIG. 3 is a back view of the flashlight;
FIG. 4 is a side view of the flashlight;
FIG. 5 is a top view of the flashlight;
FIG. 6 is a bottom view of the flashlight; and,
FIG. 7 is a perspective view of the flashlight secured to the head of a person.

The broken lines show portions of the article not claimed and form no part of the claimed design.

1 Claim, 4 Drawing Sheets



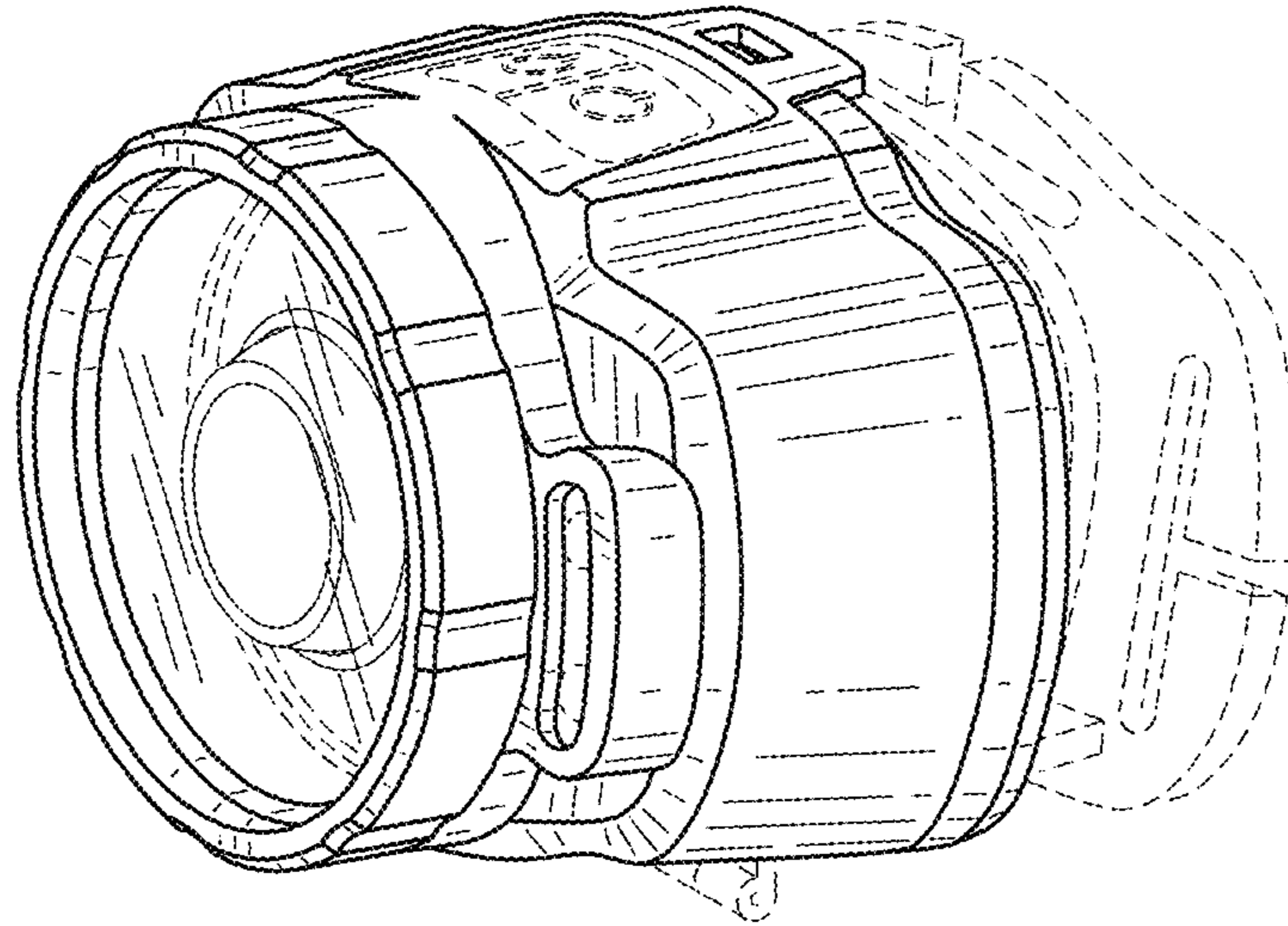


FIG. 1

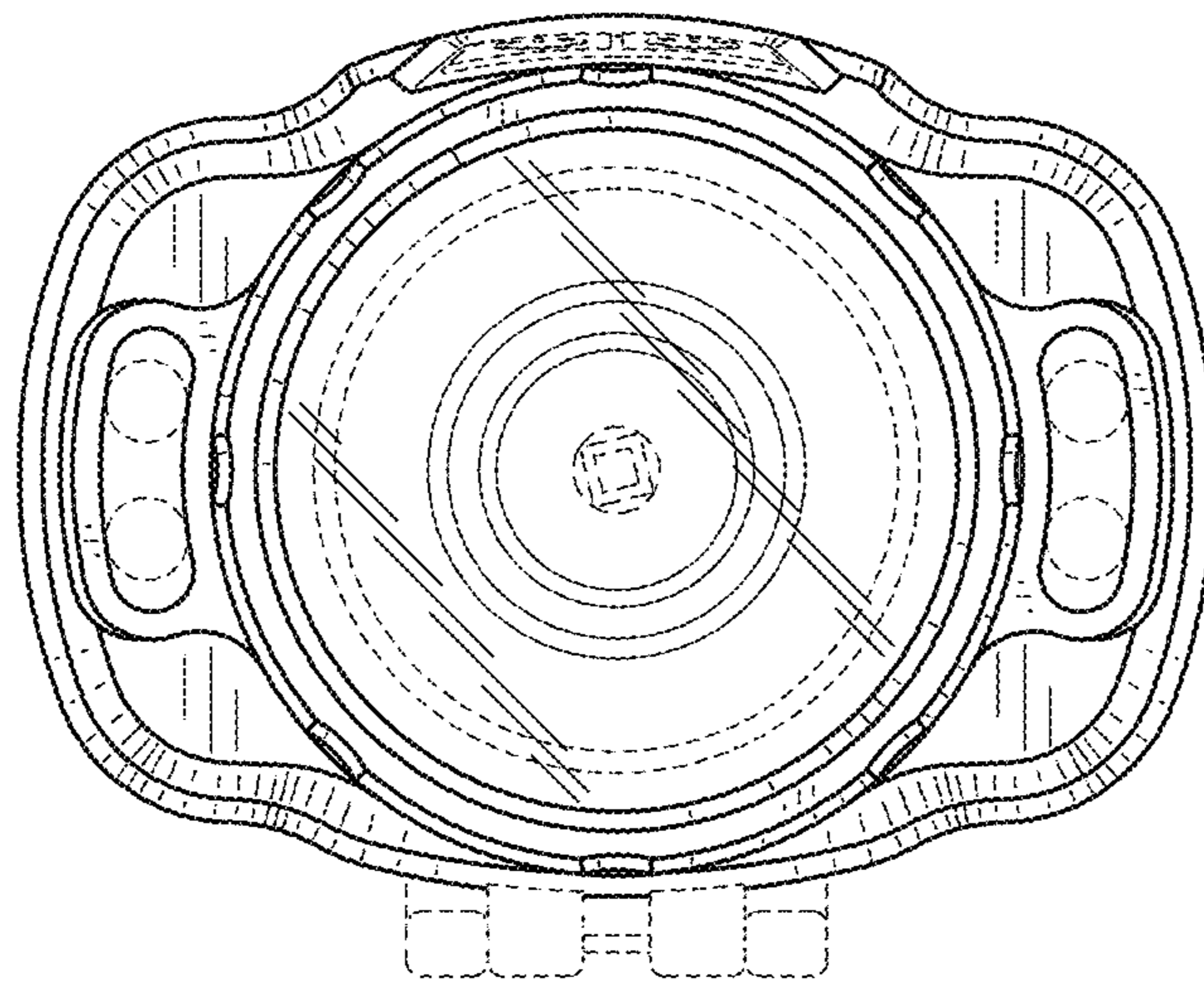


FIG. 2

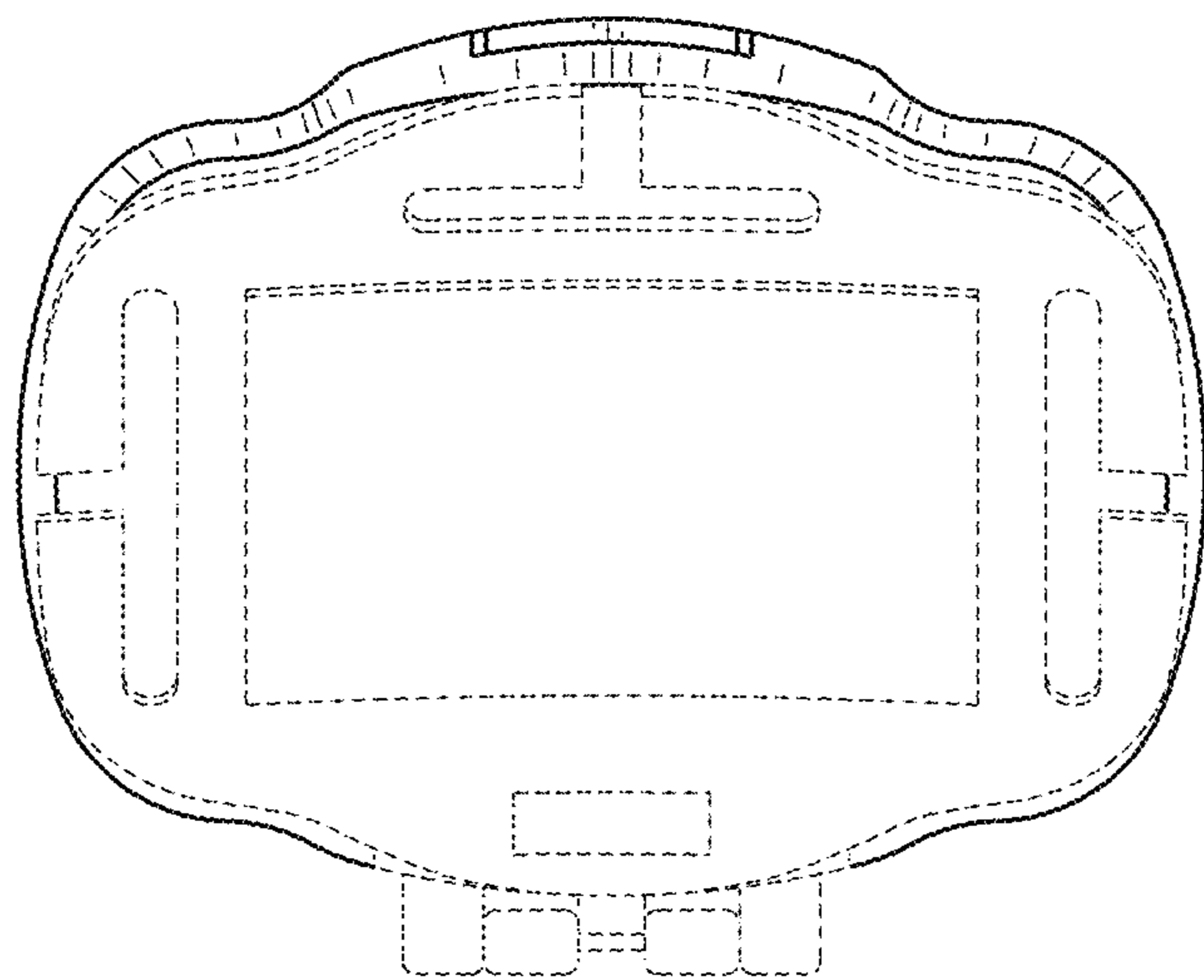


FIG. 3

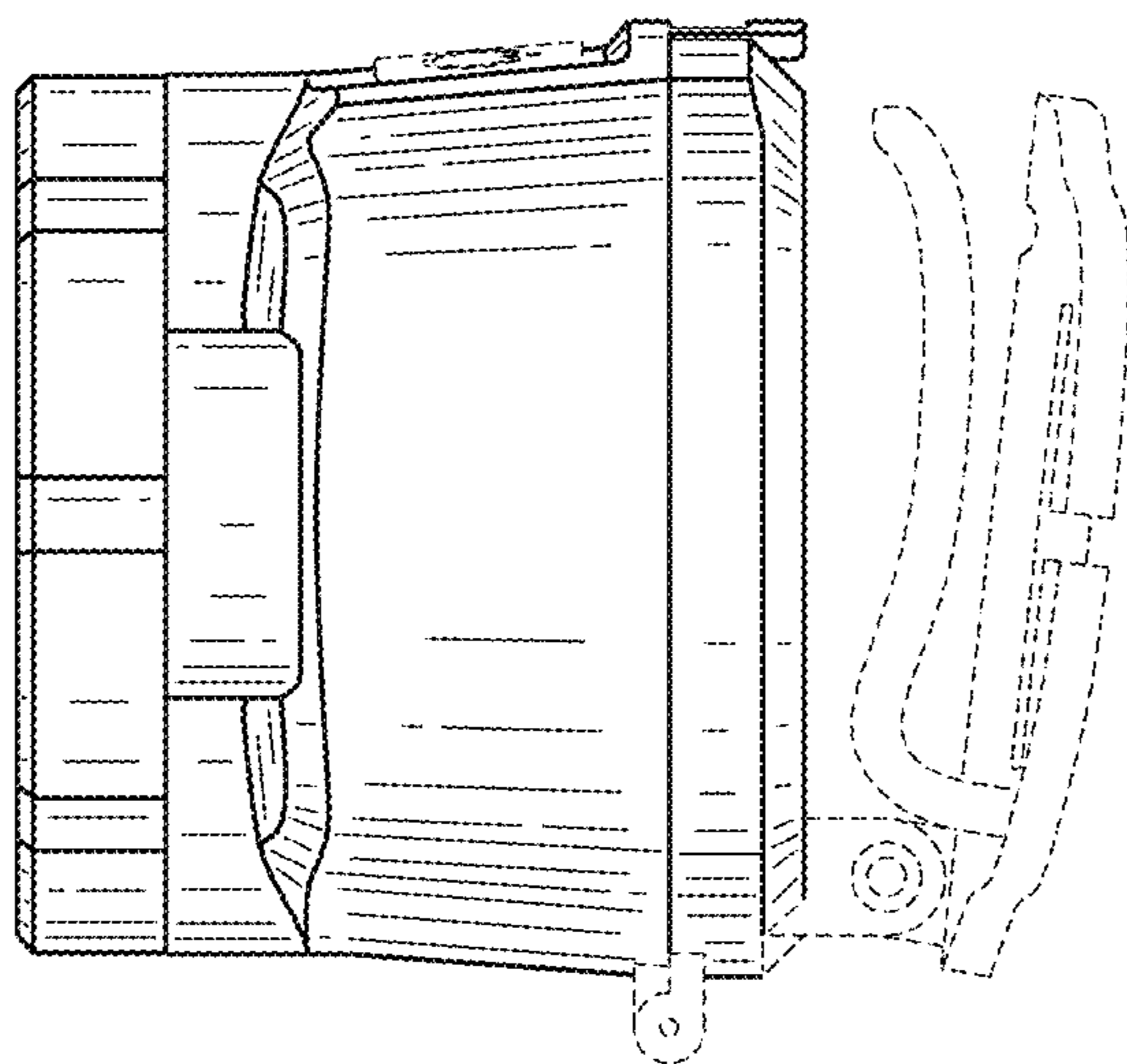


FIG. 4

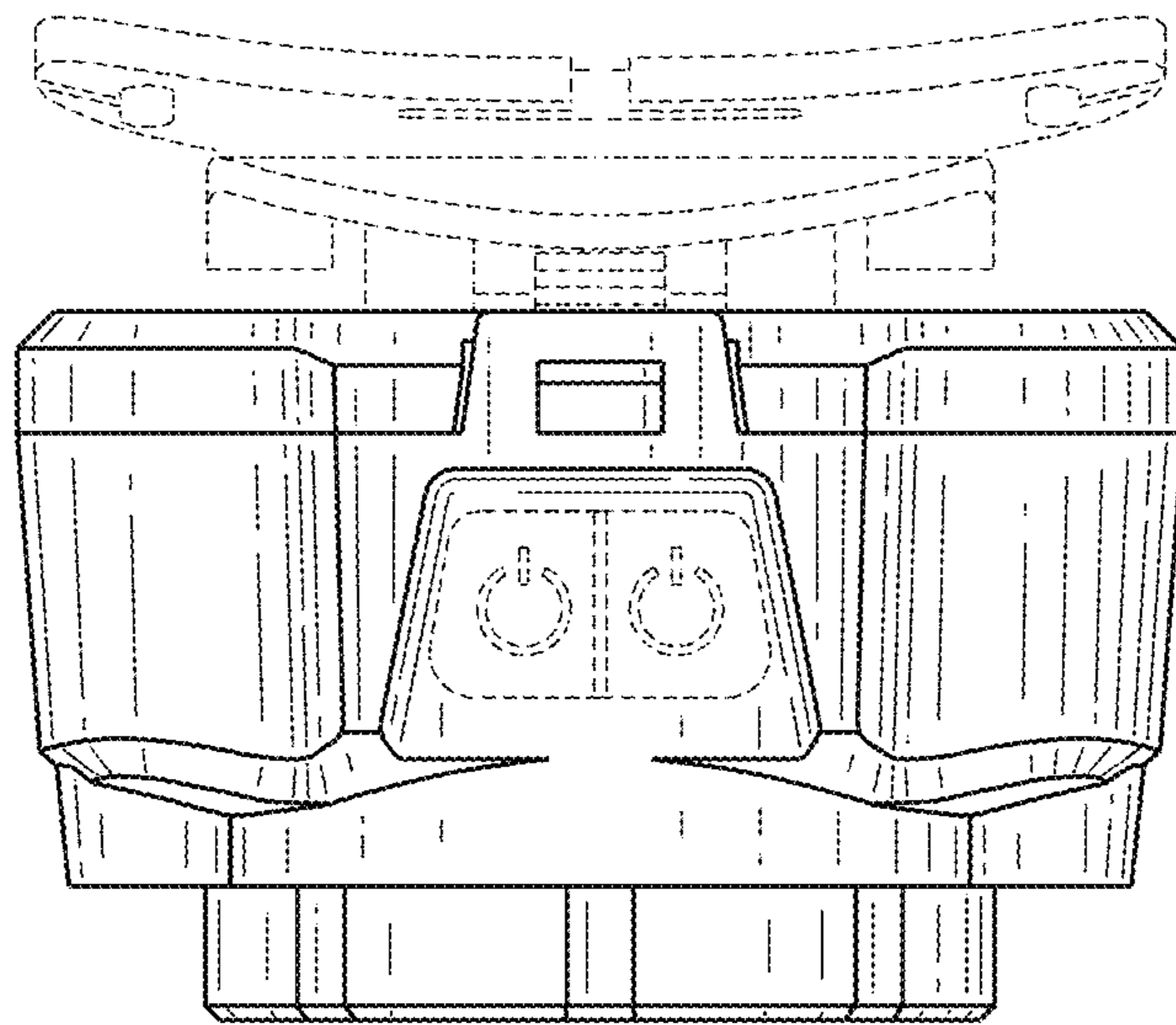


FIG. 5

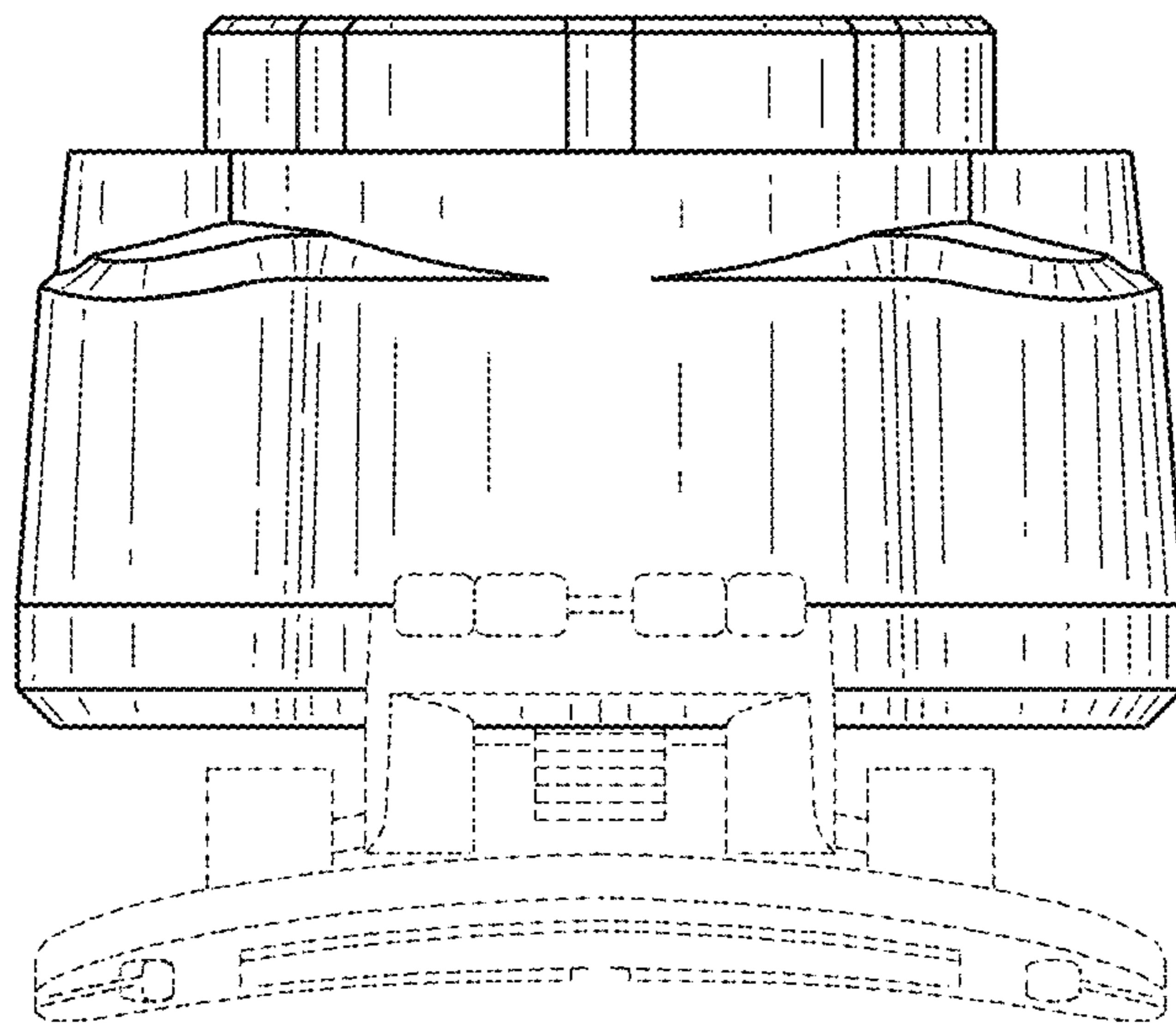


FIG. 6

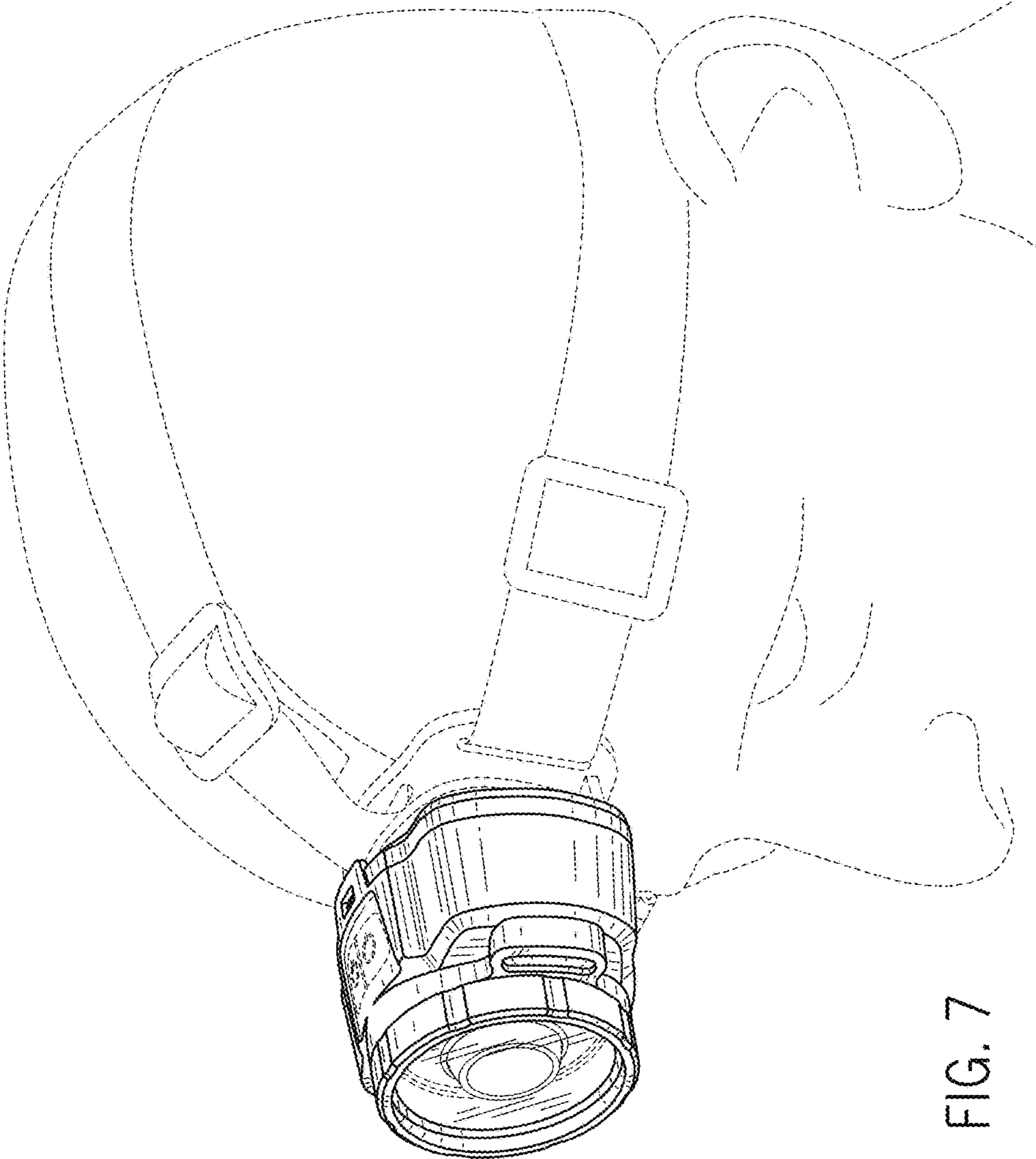


FIG. 7