



US00D796096S

(12) **United States Design Patent** (10) **Patent No.:** **US D796,096 S**  
**Rudwal et al.** (45) **Date of Patent:** **\*\* Aug. 29, 2017**

- (54) **PAIR OF FRONT LIGHTS FOR A THREE-WHEELED VEHICLE**
- (71) Applicant: **BOMBARDIER RECREATIONAL PRODUCTS INC., Valcourt (CA)**
- (72) Inventors: **Christopher Rudwal, Paris (FR); Jean-Philippe Crepeau, Bromont (CA); Damien Basset, St-Remy-de-Provence (FR); Maxime Dumont, Montreal (CA); Ghyslain Beland, Granby (CA)**
- (73) Assignee: **BOMBARDIER RECREATIONAL PRODUCTS INC., Valcourt (CA)**
- (\*\*) Term: **15 Years**
- (21) Appl. No.: **29/586,946**
- (22) Filed: **Dec. 8, 2016**

**Related U.S. Application Data**

- (62) Division of application No. 29/536,636, filed on Aug. 18, 2015.
  - (51) **LOC (10) Cl.** ..... **26-07**
  - (52) **U.S. Cl.**  
USPC ..... **D26/28; D12/107; D12/126**
  - (58) **Field of Classification Search**  
USPC ..... D12/107, 110, 114, 117, 126, 186; D26/28-36  
CPC . B62J 17/00; B62J 17/04; B62J 23/00; B62K 11/04; F21S 48/00; F21S 48/10; F21S 48/115; F21S 48/225; F21S 48/1233; F21S 48/1266; F21S 48/1388; F21S 48/2268; F21V 21/04
- See application file for complete search history.

- (56) **References Cited**  
U.S. PATENT DOCUMENTS
- 6,015,022 A \* 1/2000 Thuliez ..... B62D 21/04 180/210
- D449,018 S \* 10/2001 Musser ..... D12/85
- D485,788 S \* 1/2004 Guay ..... D12/107
- D517,706 S \* 3/2006 Itaya ..... D26/28
- D536,186 S 2/2007 Crepeau et al.
- D538,965 S \* 3/2007 Basset ..... D26/120
- D545,461 S \* 6/2007 Itaya ..... D26/28
- D557,646 S 12/2007 Portelance
- D563,000 S \* 2/2008 Sanschagrin ..... D26/28
- D569,015 S \* 5/2008 Tsukui ..... D26/28
- D573,734 S \* 7/2008 Watanabe ..... D26/28

(Continued)

*Primary Examiner* — Darlington Ly  
(74) *Attorney, Agent, or Firm* — BCF LLP

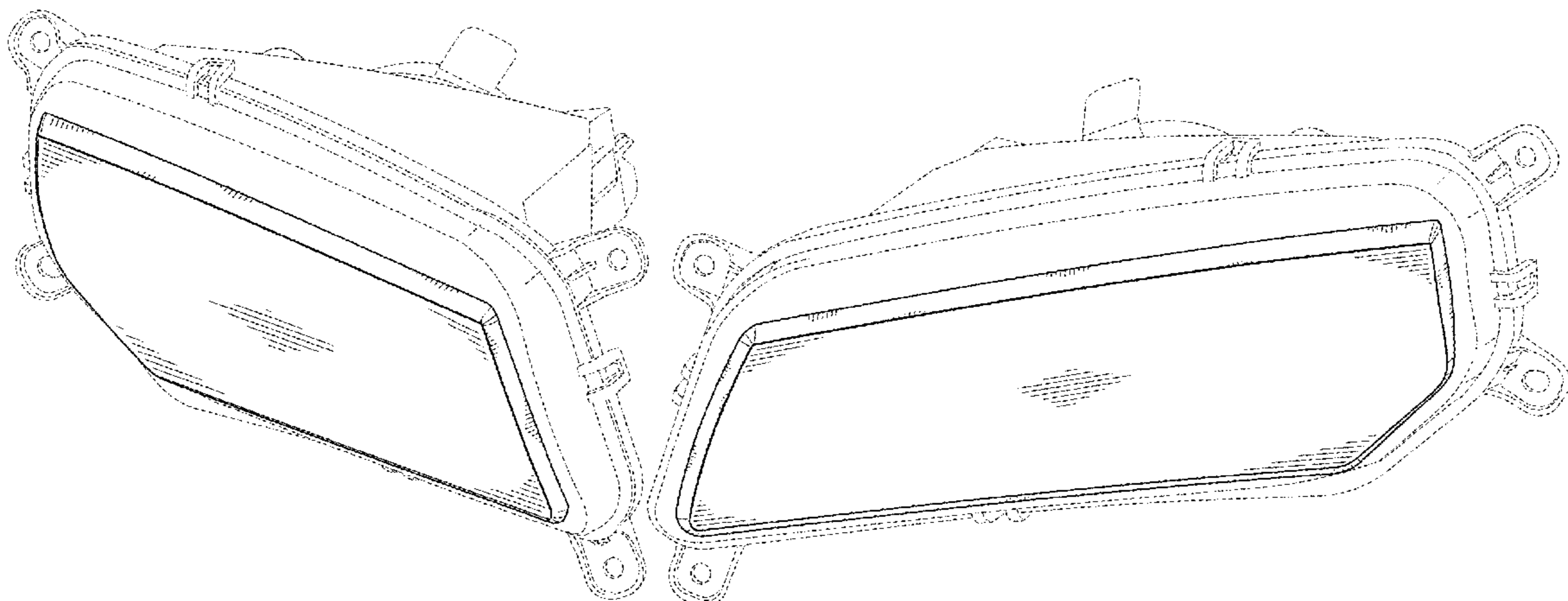
(57) **CLAIM**  
The ornamental design for a pair of front lights for a three-wheeled vehicle, as shown and described.

**DESCRIPTION**

FIG. 1 is a top, front, and left side perspective view of a pair of front lights for a three-wheeled vehicle showing our new design;  
 FIG. 2 is a left side elevation view thereof;  
 FIG. 3 is a front elevation view thereof;  
 FIG. 4 is a right side elevation view thereof;  
 FIG. 5 is an enlarged top, front, and left side perspective view of the pair of front lights isolated from the three-wheeled vehicle;  
 FIG. 6 is a left side elevation view thereof;  
 FIG. 7 is a front elevation view thereof;  
 FIG. 8 is a right side elevation view thereof;  
 FIG. 9 is a bottom plan view thereof; and,  
 FIG. 10 is a top plan view thereof.

The broken lines in the drawings illustrate an environmental structure of a three-wheeled vehicle and portions of its front lights that do not form part of the claimed design.

**1 Claim, 10 Drawing Sheets**



(56)

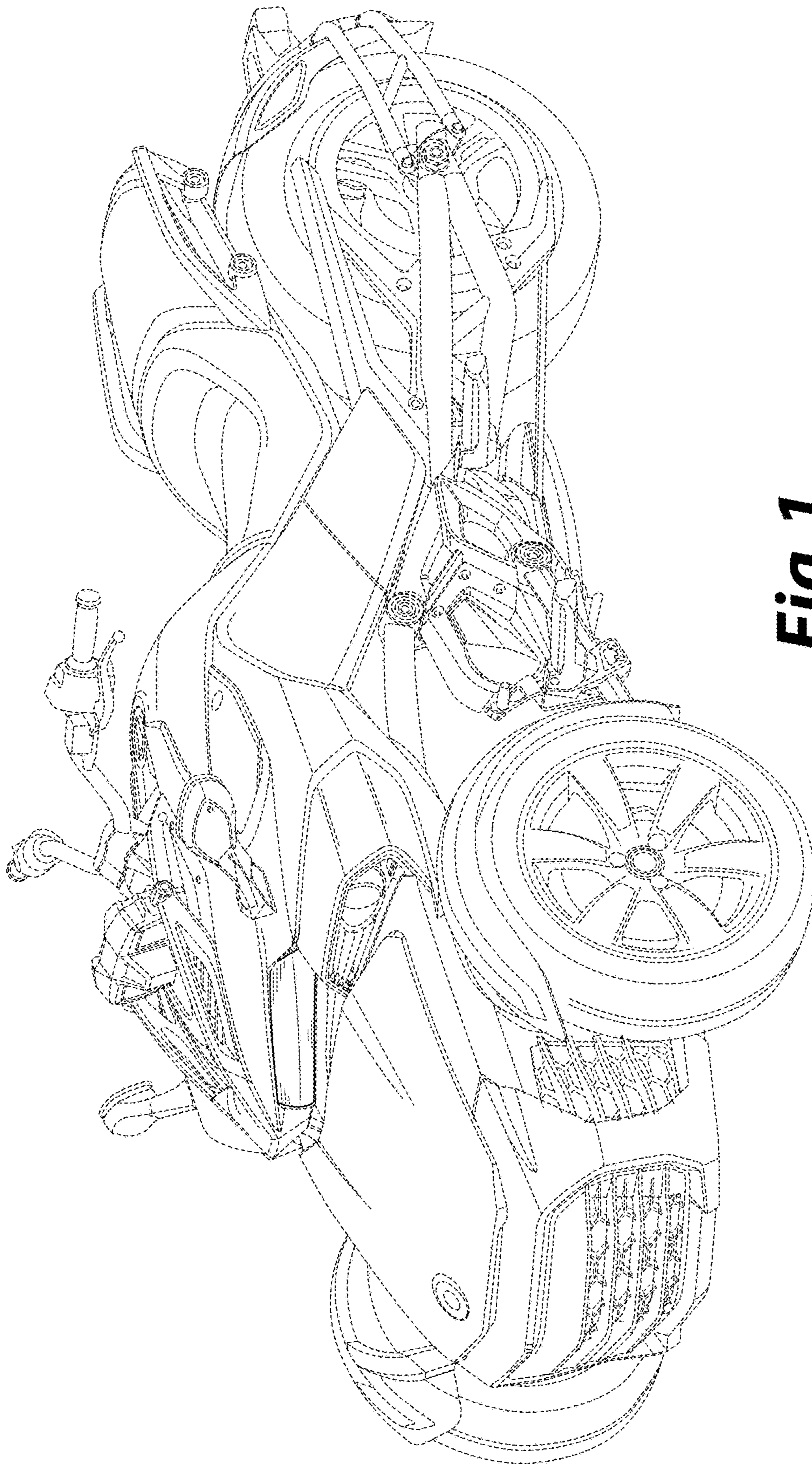
References Cited

U.S. PATENT DOCUMENTS

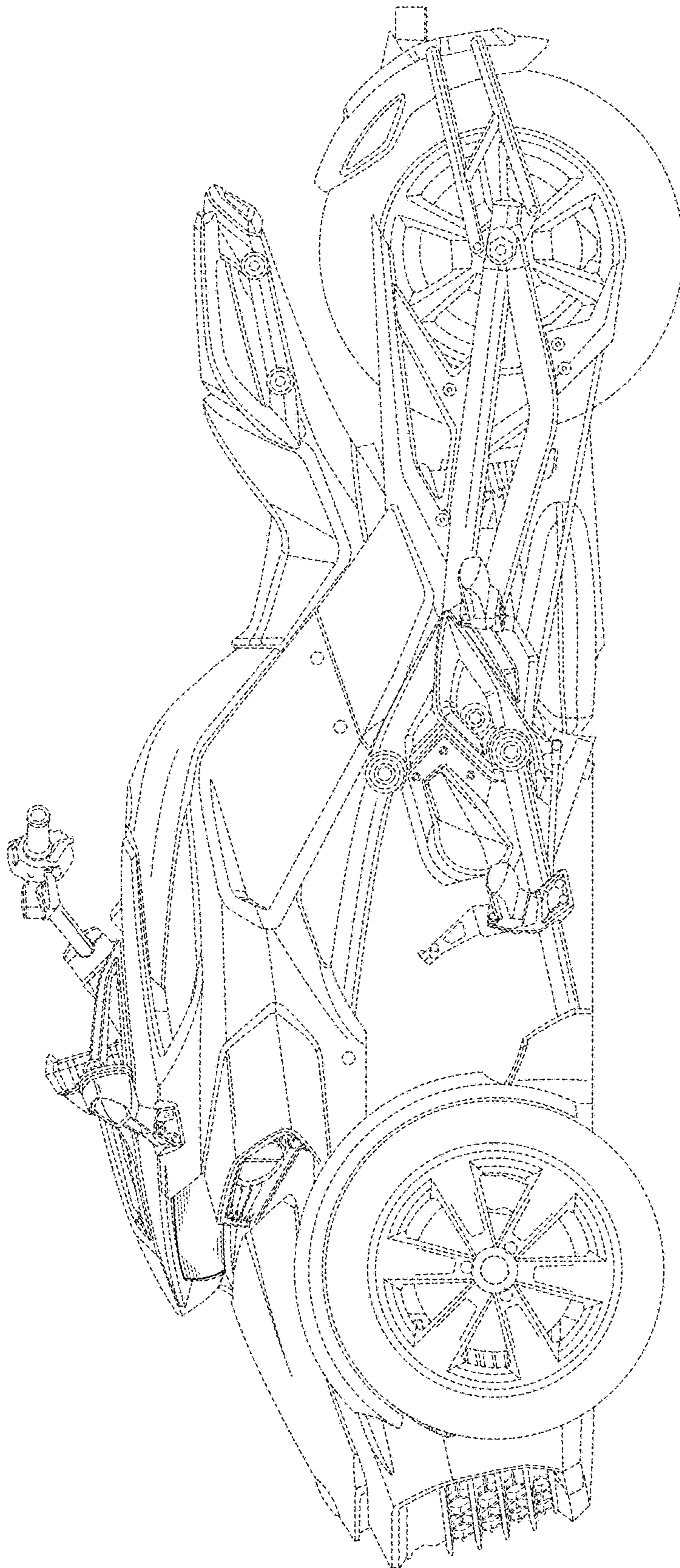
D580,836	S	11/2008	Longpre et al.	
D581,319	S	11/2008	Longpre et al.	
D581,320	S	11/2008	Longpre et al.	
D581,685	S	12/2008	Longpre et al.	
D581,846	S	12/2008	Longpre et al.	
D582,823	S	12/2008	Longpre et al.	
D584,188	S *	1/2009	Jenkins .....	D12/85
D589,844	S *	4/2009	Aube .....	D12/85
D593,455	S	6/2009	Longpre et al.	
D593,908	S *	6/2009	Longpre .....	D12/107
D593,912	S	6/2009	Longpre et al.	
D596,081	S *	7/2009	Longpre .....	D12/107
D598,328	S *	8/2009	Lambri .....	B62K 5/05 D12/110
D603,076	S *	10/2009	Hung .....	D26/28
D603,775	S	11/2009	Longpre et al.	
D611,391	S	3/2010	Bourgeois	
D626,900	S	11/2010	Guay et al.	
D627,263	S *	11/2010	Guay .....	D12/110
D627,269	S	11/2010	Deluy et al.	
D627,282	S	11/2010	Deluy et al.	
D628,129	S	11/2010	Longpre et al.	
D629,724	S	12/2010	Guay et al.	
D629,726	S	12/2010	Guay et al.	
D631,803	S	2/2011	Guay et al.	
D656,435	S *	3/2012	Lambri .....	B62K 5/027 D12/110
D682,158	S *	5/2013	Canni .....	D12/85
D689,794	S *	9/2013	Bracy .....	D12/85
D702,166	S *	4/2014	Deluy .....	D12/186
D713,568	S *	9/2014	Bose .....	D26/28
D782,087	S *	3/2017	Youn .....	D26/28
2007/0256882	A1 *	11/2007	Bedard .....	B62K 5/027 180/312

\* cited by examiner



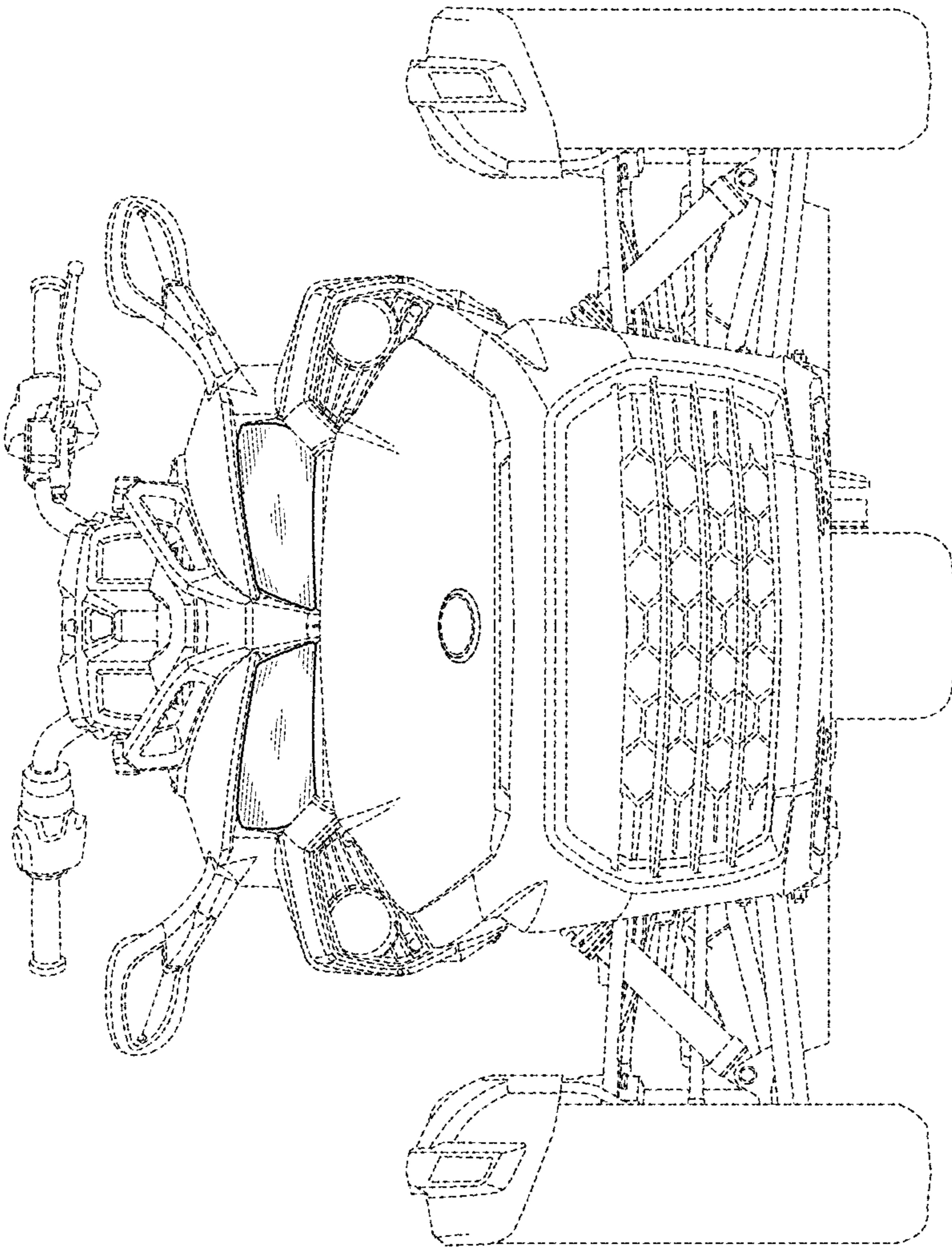


**Fig. 1**

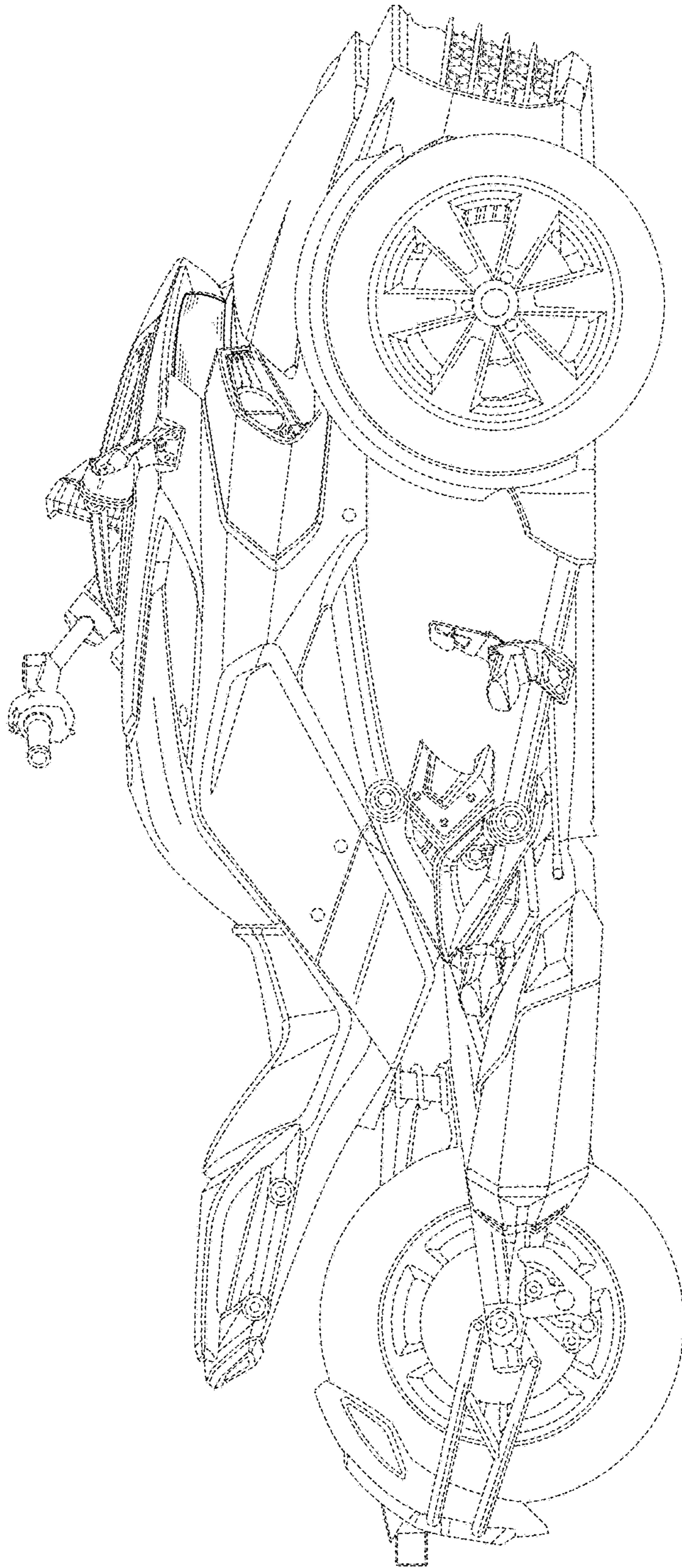


**Fig.2**

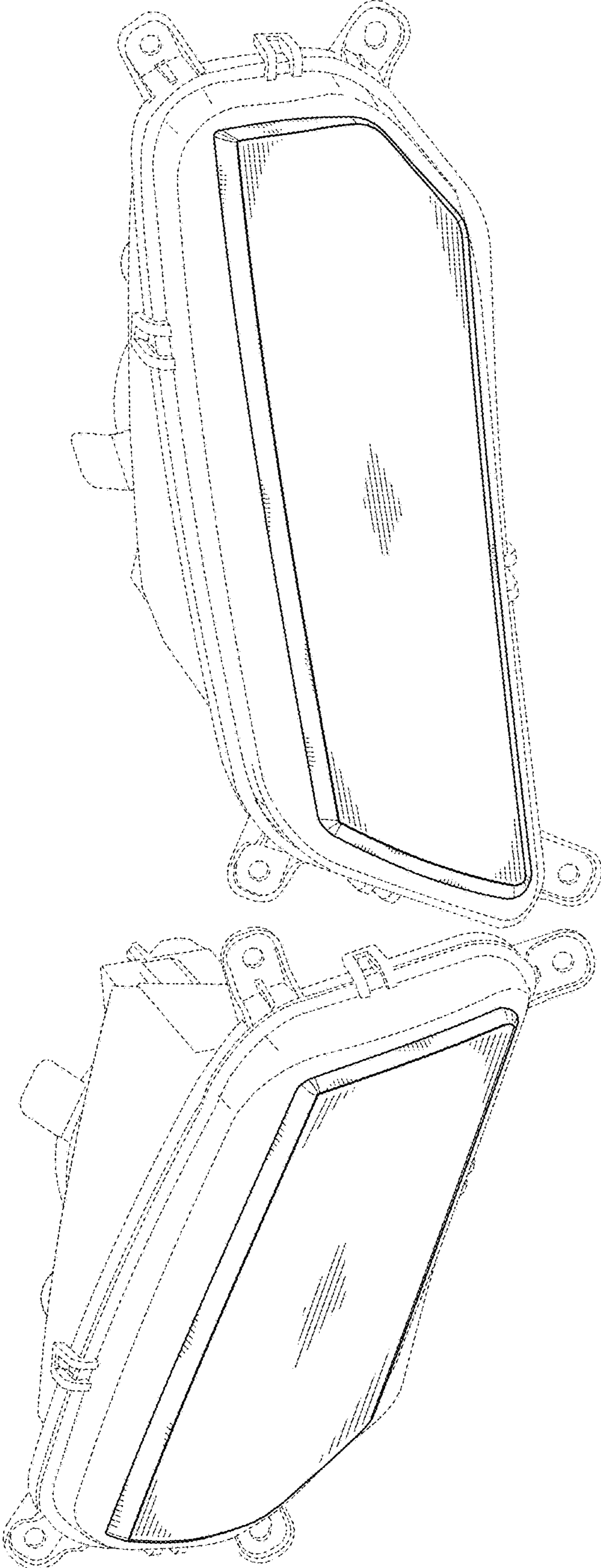




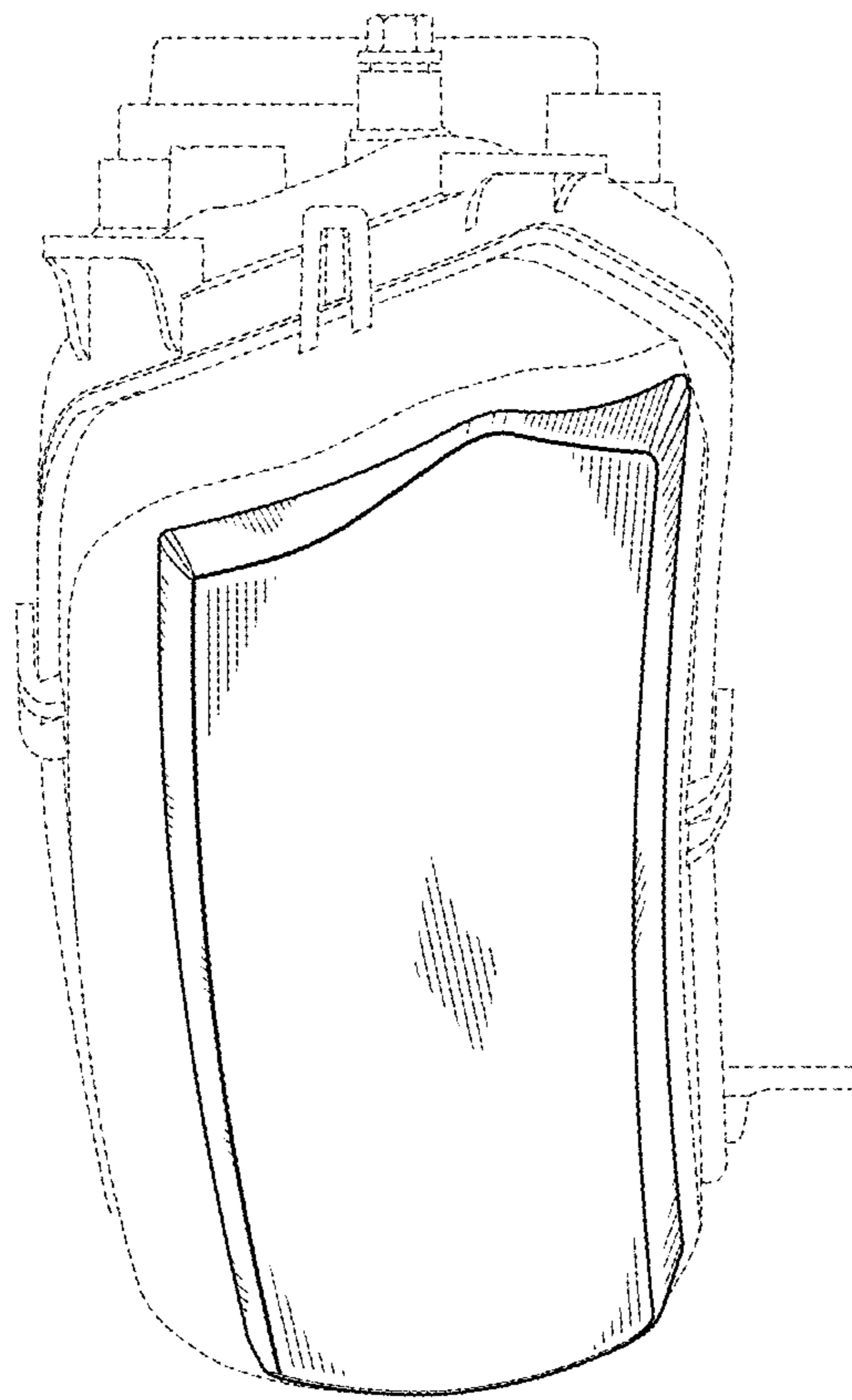
**Fig. 3**



**Fig.4**

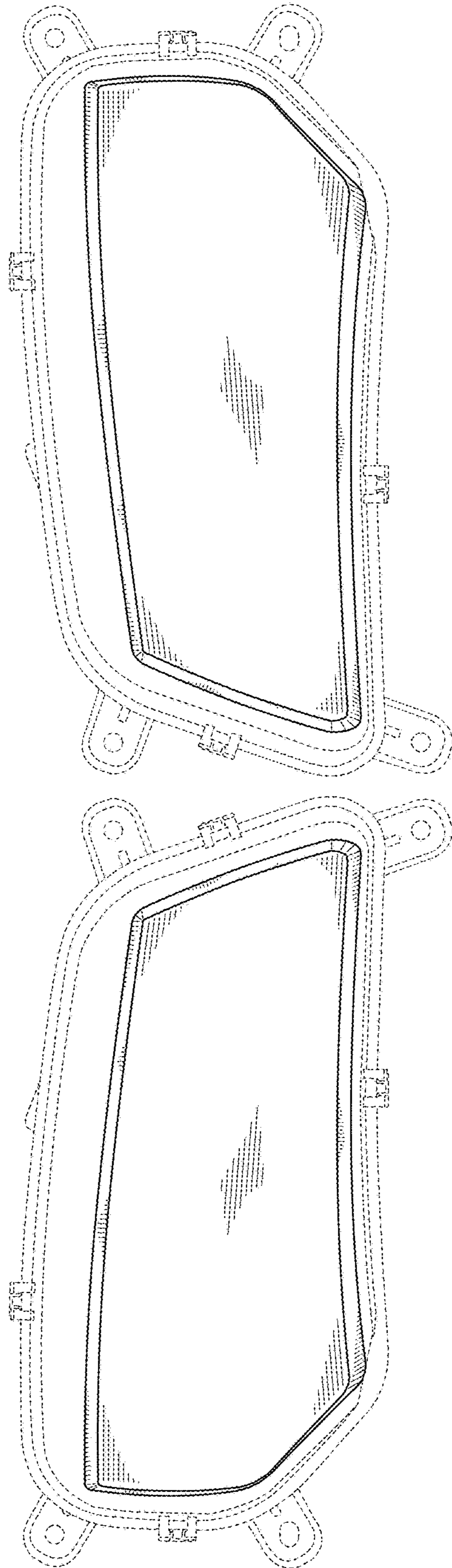


**Fig.5**

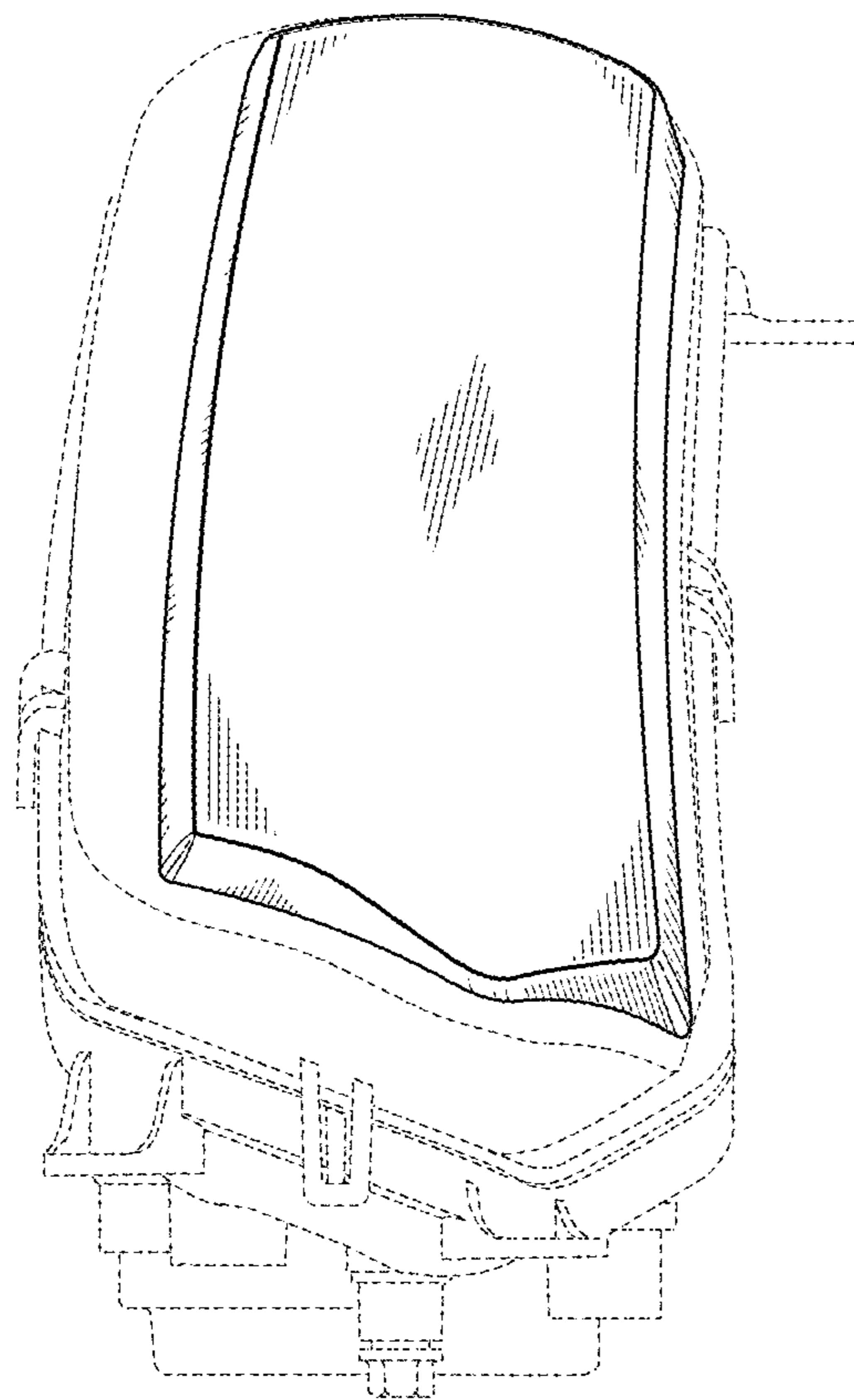


**Fig. 6**

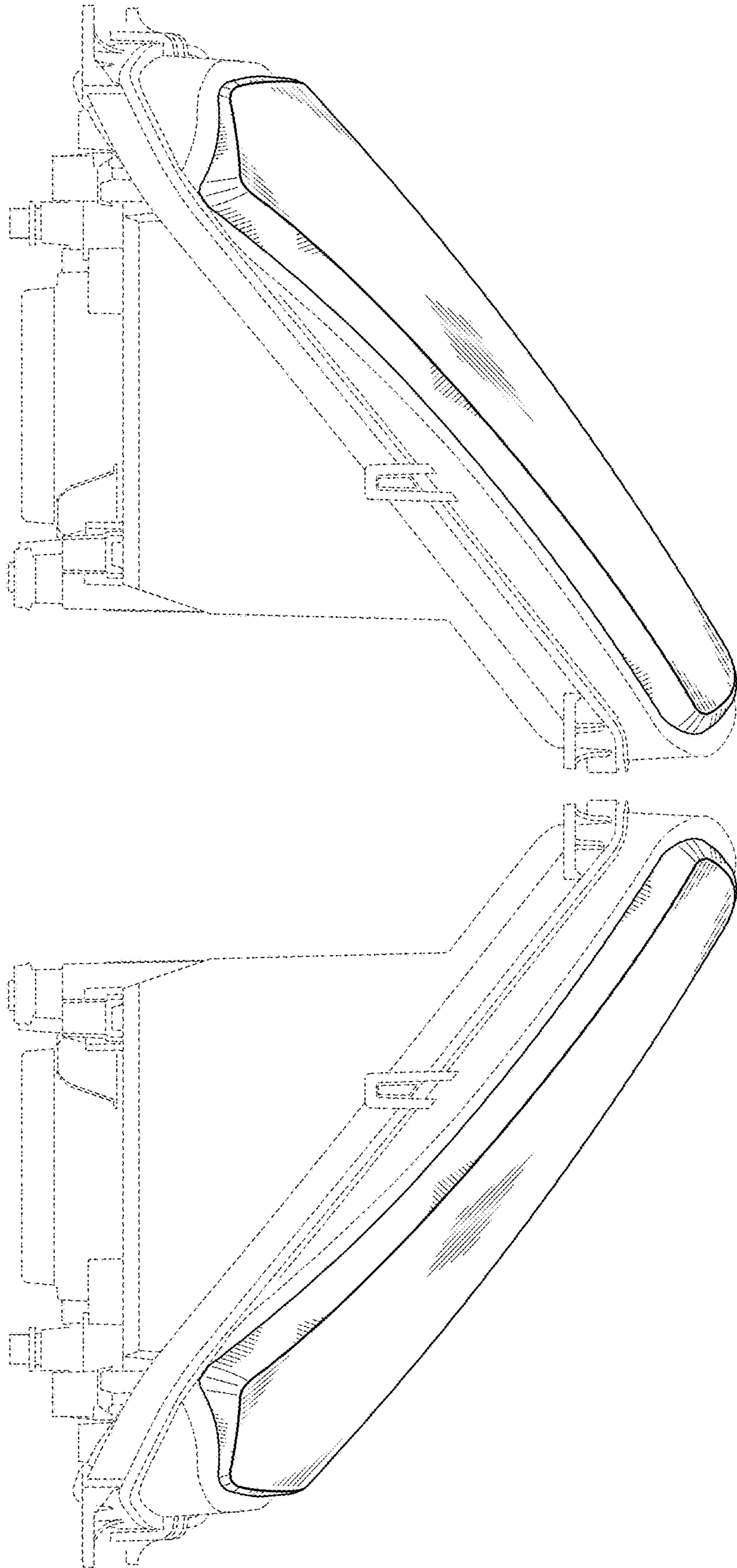




**Fig. 7**

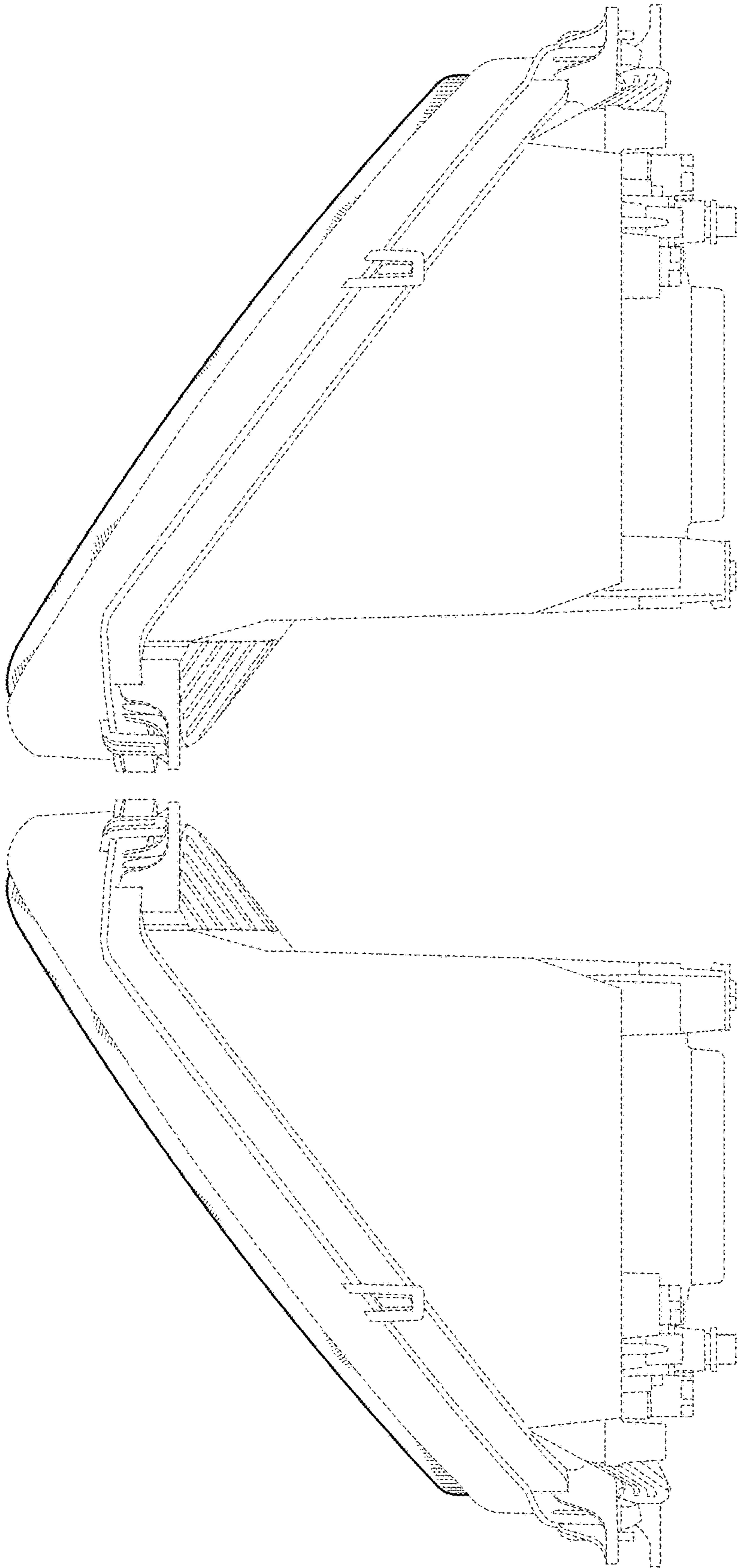


**Fig. 8**



**Fig. 9**





**Fig. 10**