



US00D796095S

(12) **United States Design Patent** (10) **Patent No.:** **US D796,095 S**  
**Huang** (45) **Date of Patent:** **\*\* Aug. 29, 2017**

(54) **VEHICLE LAMP**

(56) **References Cited**

(71) Applicant: **SIRIUS LIGHT TECHNOLOGY CO., LTD.**, Tainan (TW)

U.S. PATENT DOCUMENTS

(72) Inventor: **Cheng-Nan Huang**, Tainan (TW)

D743,071 S	*	11/2015	Kao	.....	D26/28
D760,406 S	*	6/2016	Huang	.....	D26/28
D760,932 S	*	7/2016	Huang	.....	D26/28
D769,491 S	*	10/2016	Lai	.....	D26/28
D772,451 S	*	11/2016	Ma	.....	D26/28
D772,452 S	*	11/2016	Zhang	.....	D26/28

(73) Assignee: **Sirius Light Technology Co., LTD.**, Tainan (TW)

\* cited by examiner

(\*\*) Term: **15 Years**

*Primary Examiner* — Marcus Jackson

(21) Appl. No.: **29/571,882**

(74) *Attorney, Agent, or Firm* — LeClairRyan

(22) Filed: **Jul. 22, 2016**

(57) **CLAIM**

(30) **Foreign Application Priority Data**

The ornamental design for a vehicle lamp, as shown and described.

Jun. 3, 2016 (TW) ..... 105303208

**DESCRIPTION**

(51) **LOC (10) Cl.** ..... **26-06**

FIG. 1 is a perspective view of a vehicle lamp showing my new design;

(52) **U.S. Cl.**

FIG. 2 is a front elevational view thereof;

USPC ..... **D26/28**

FIG. 3 is a rear elevational view thereof;

(58) **Field of Classification Search**

USPC ..... D26/28-36; 362/80-83, 267-269, 362/459-468, 475-478, 485-487

FIG. 4 is a left side elevational view thereof;

CPC ..... F21S 48/00; F21S 48/10; F21S 48/115; F21S 48/1233; F21S 48/1266; F21S 48/1388; F21S 48/2268; F21V 21/04; B60Q 9/13; B60Q 9/135; B60Q 9/1375

FIG. 5 is a right side elevational view thereof;

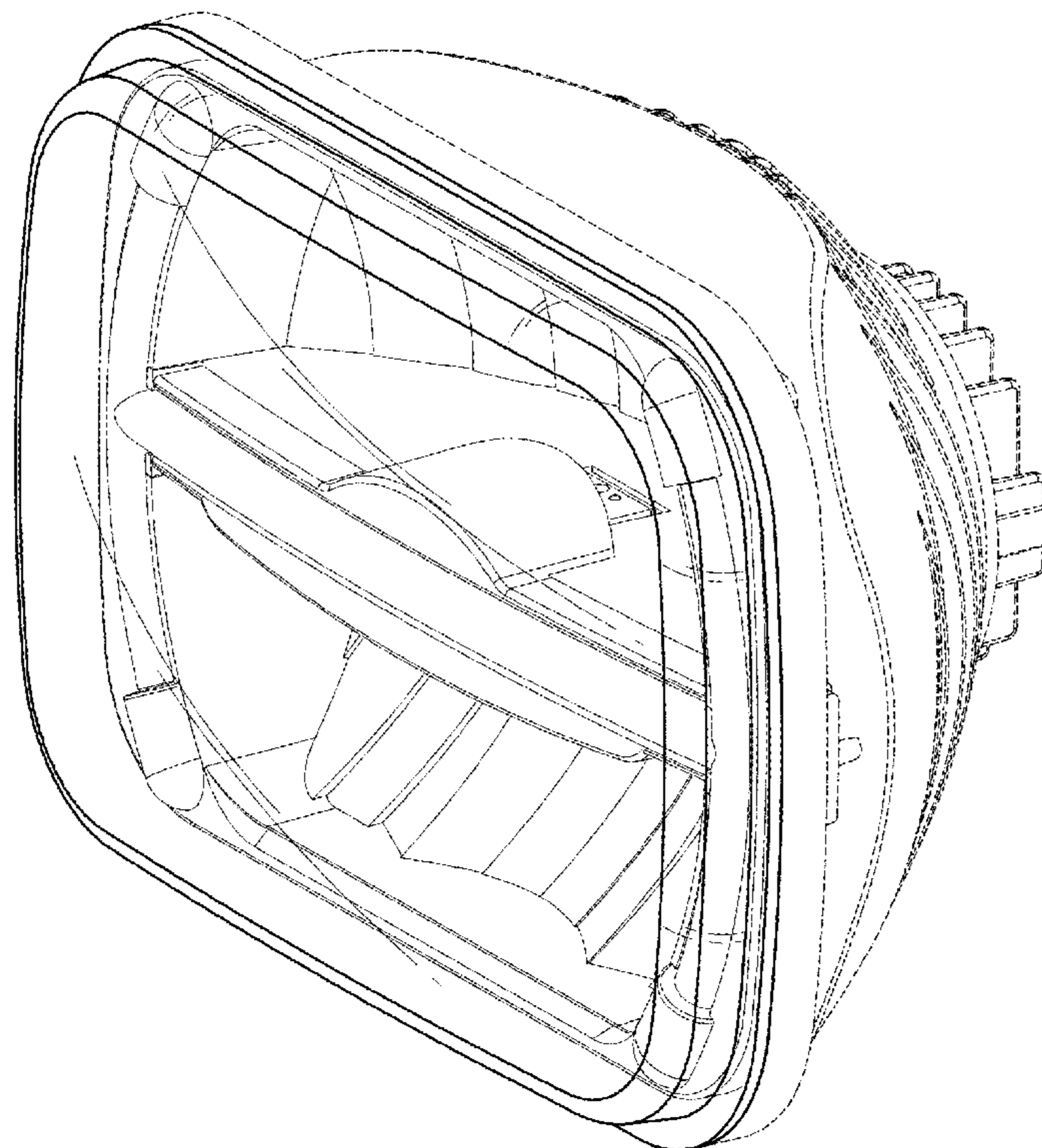
See application file for complete search history.

FIG. 6 is a top plan view thereof; and,

FIG. 7 is a bottom plan view thereof.

The broken lines are for illustrating portions of the article which form no part of the claimed design.

**1 Claim, 6 Drawing Sheets**



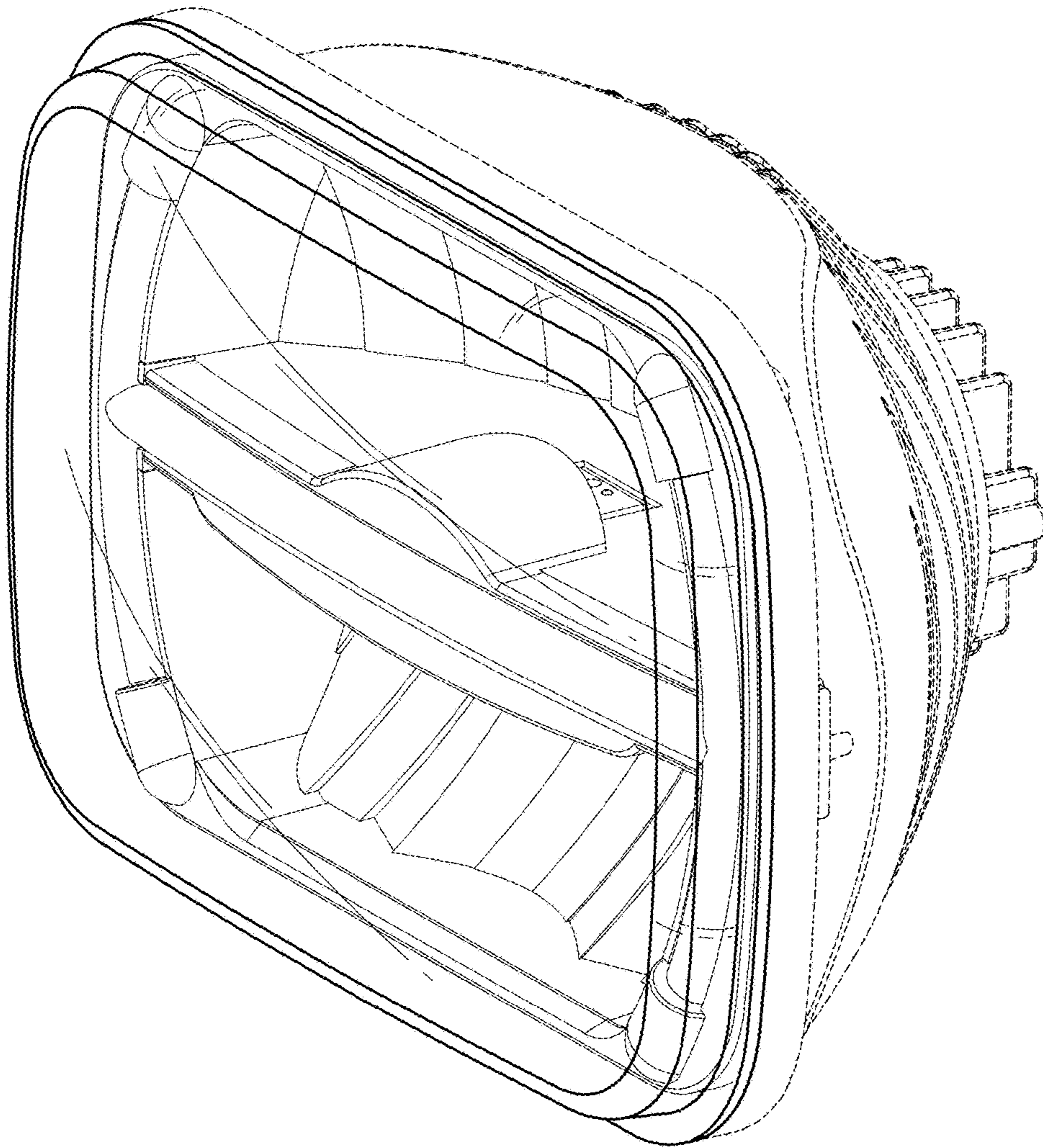


FIG.1



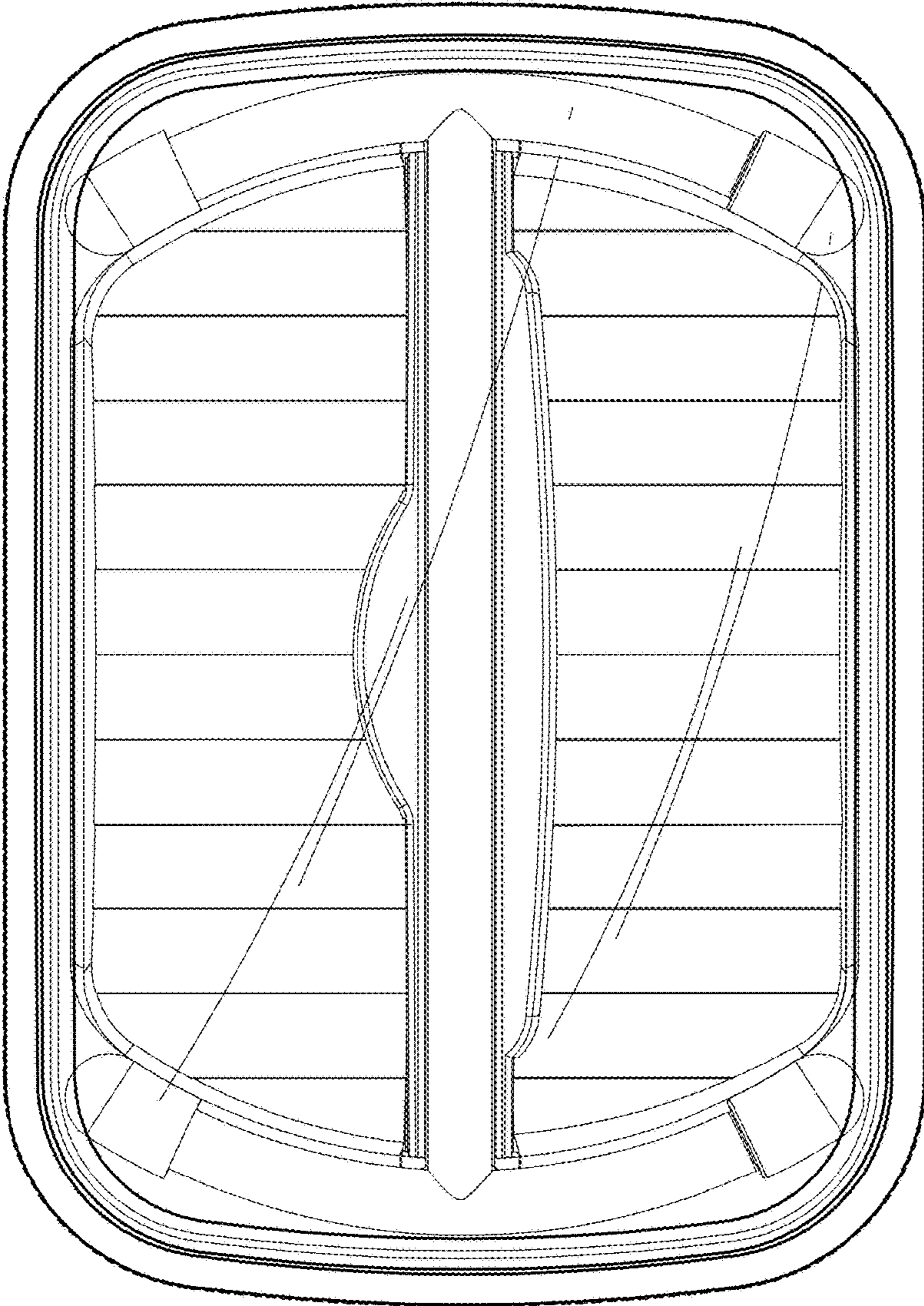


FIG.2

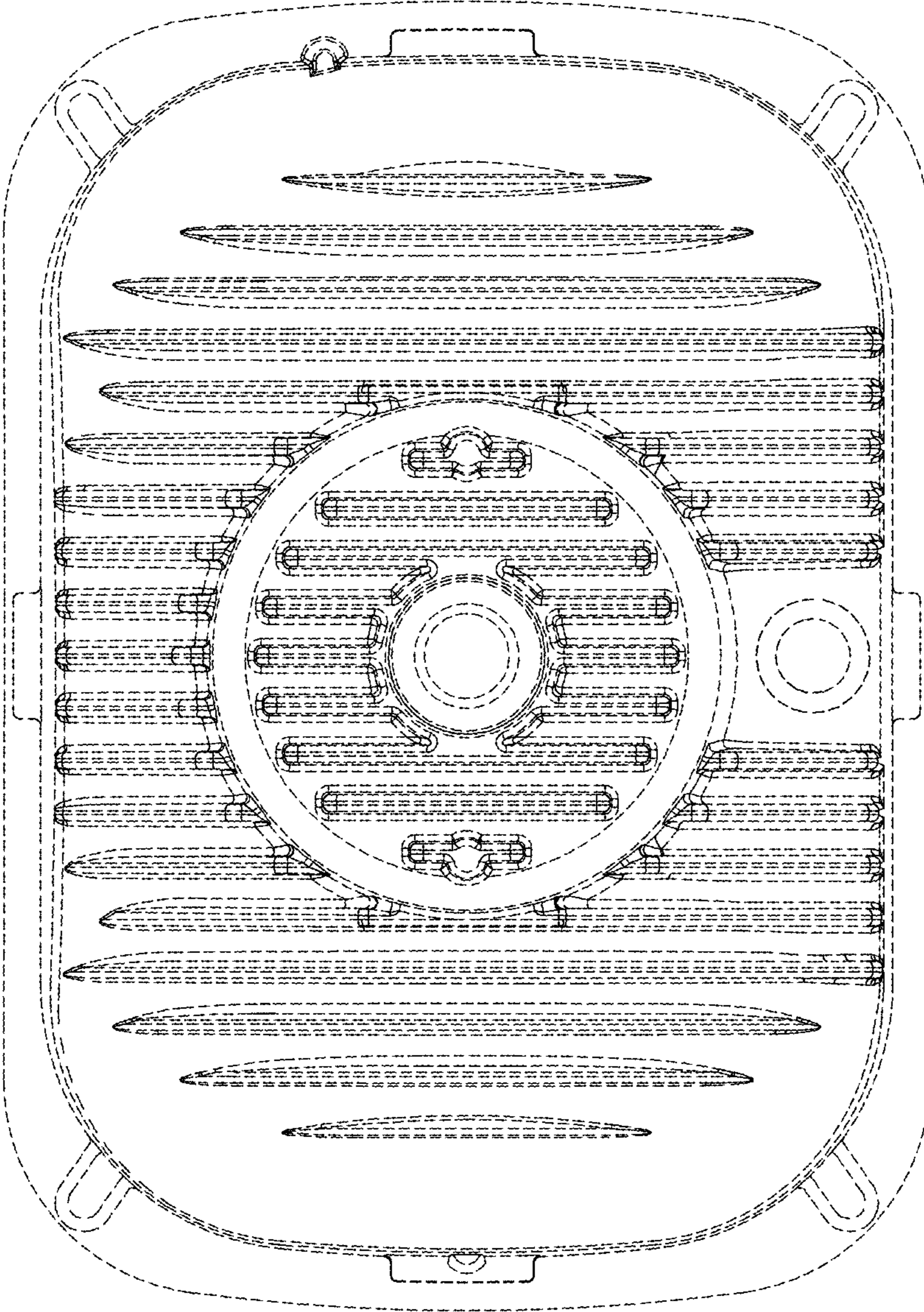


FIG.3

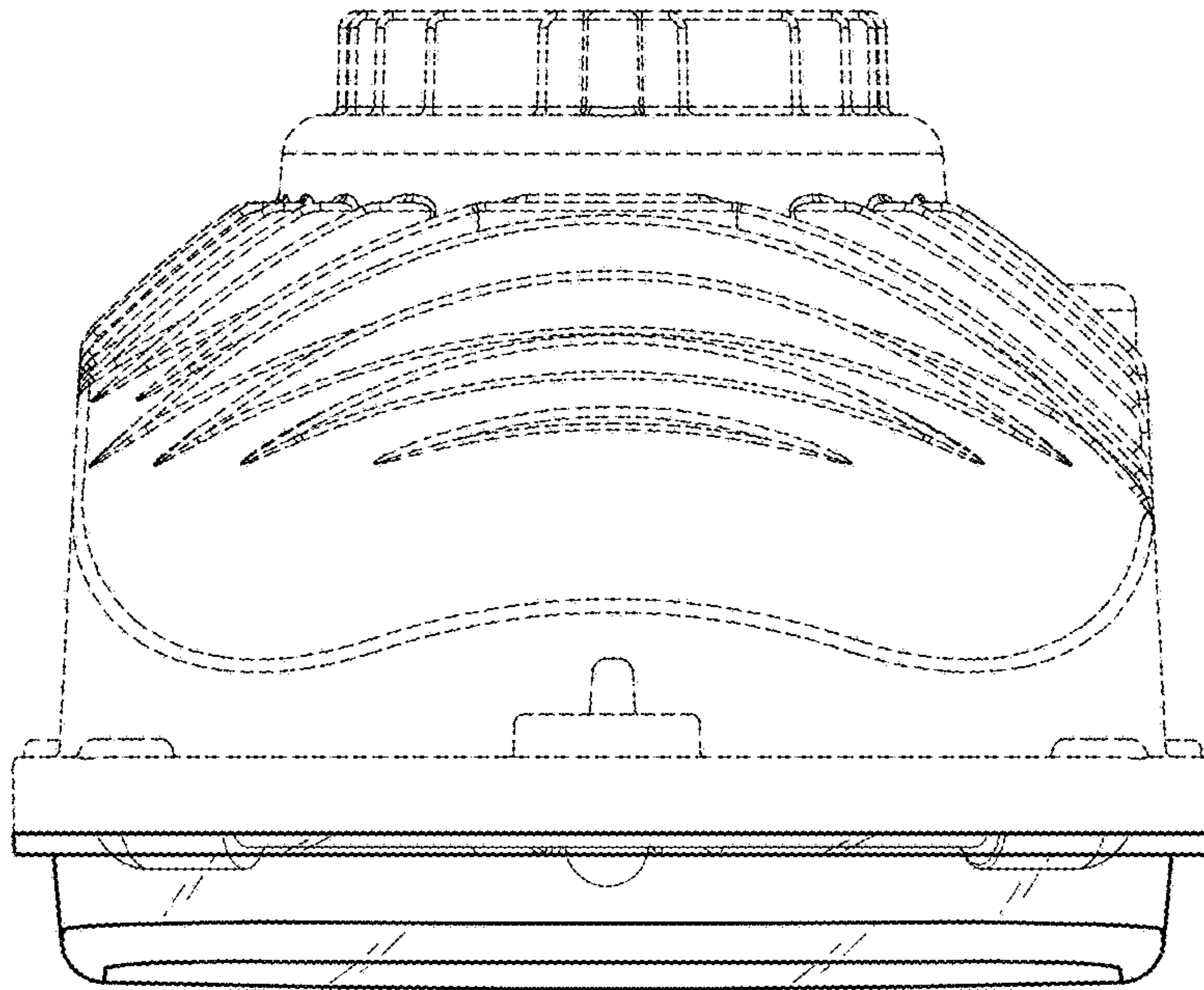


FIG.5

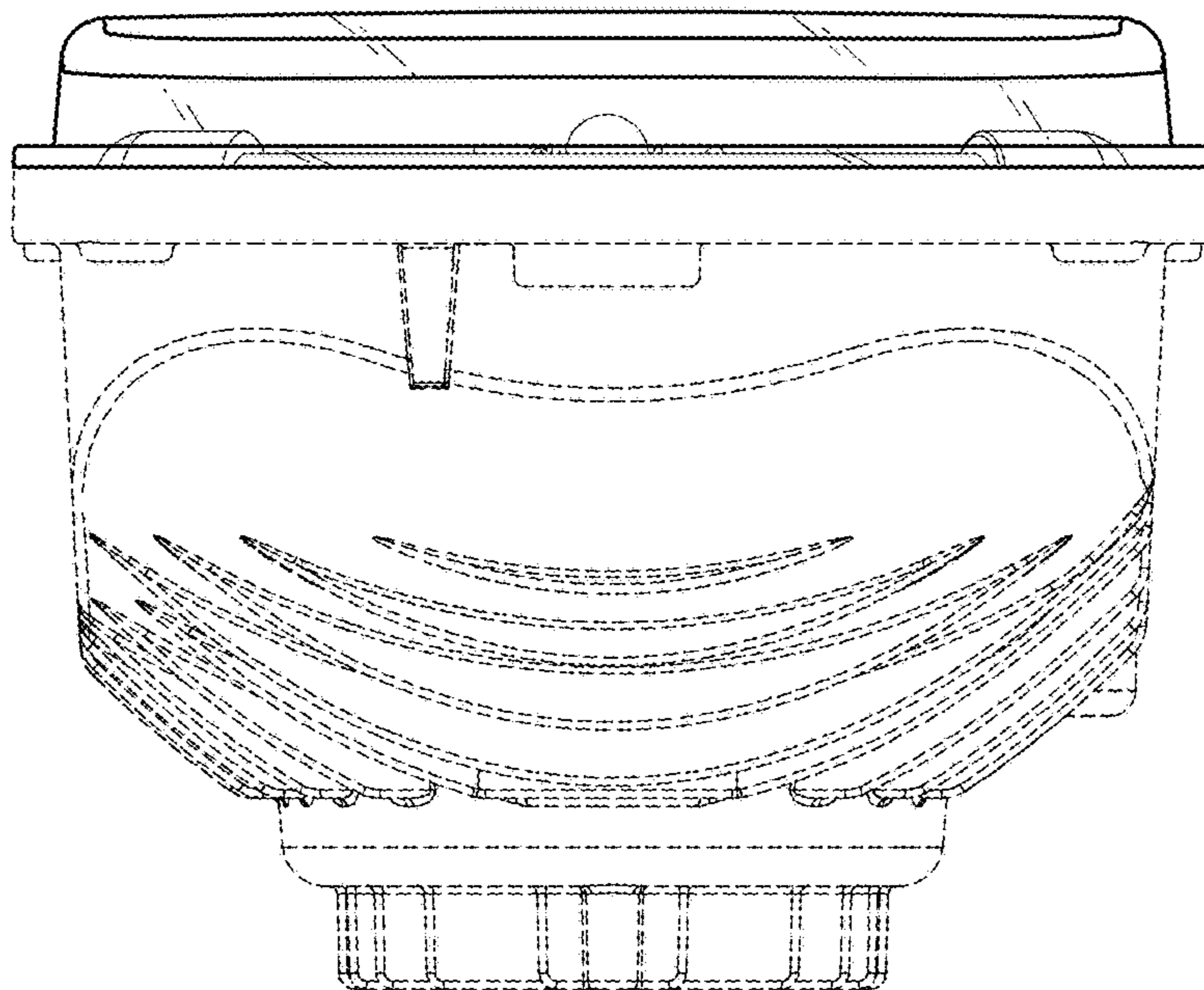


FIG.4



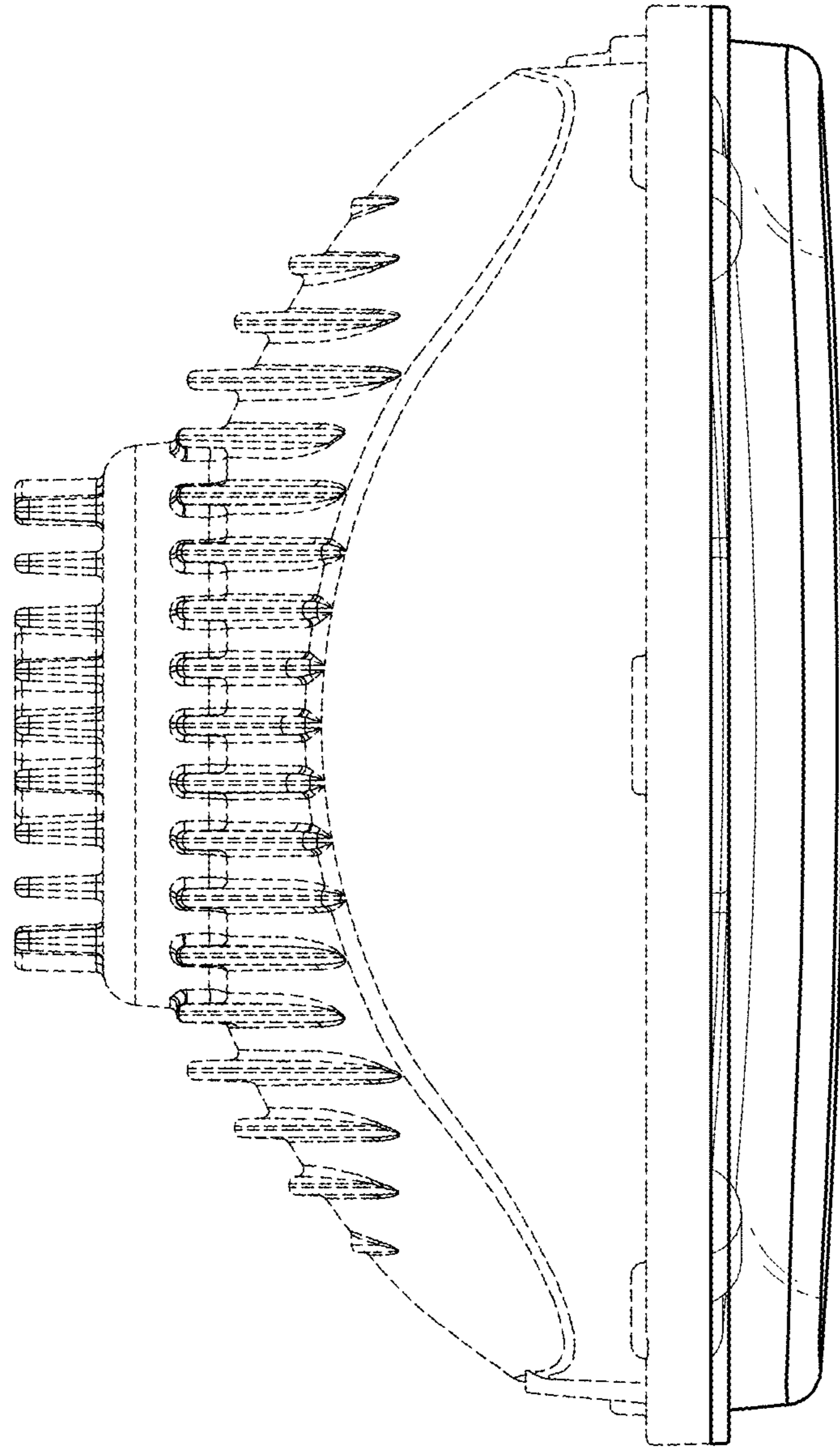


FIG.6

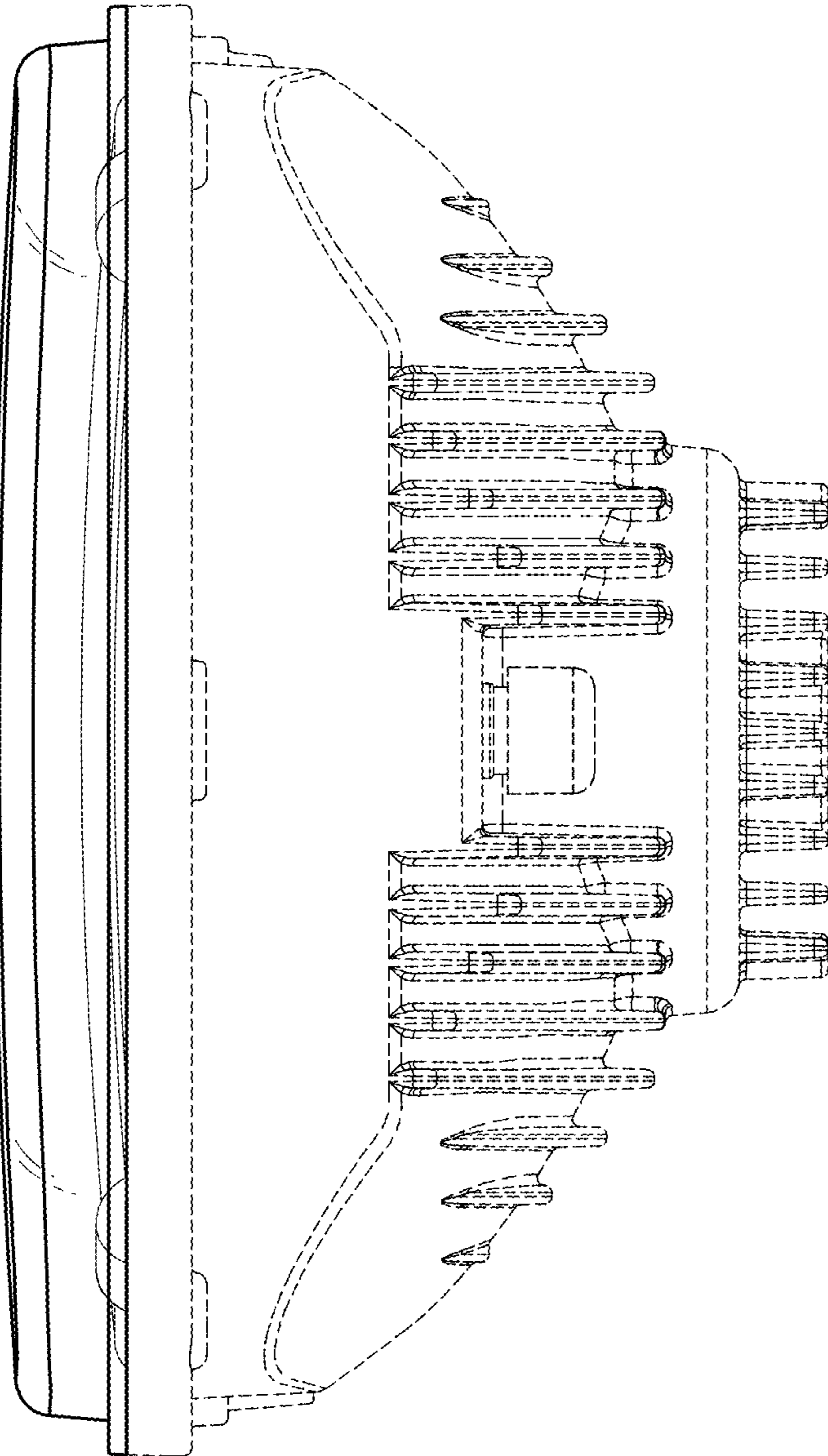


FIG.7