



US00D796092S

(12) **United States Design Patent**  
**Ito et al.**

(10) **Patent No.:** **US D796,092 S**

(45) **Date of Patent:** **\*\* Aug. 29, 2017**

(54) **HEADLAMP FOR A VEHICLE**

(71) Applicant: **International Truck Intellectual Property Company, LLC**, Lisle, IL (US)

(72) Inventors: **Chris Isamu Ito**, Sugar Grove, IL (US); **Glen Joel Durmisevich**, Rochester Hills, MI (US); **Christian Michael Hardin**, Waterford, MI (US); **David James Olsen**, Aurora, IL (US); **John Ho Song**, Palatine, IL (US)

(73) Assignee: **International Truck Intellectual Property Company, LLC**, Lisle, IL (US)

(\*\*) Term: **15 Years**

(21) Appl. No.: **29/565,925**

(22) Filed: **May 25, 2016**

(51) **LOC (10) Cl.** ..... **26-07**

(52) **U.S. Cl.**  
USPC ..... **D26/28**

(58) **Field of Classification Search**  
USPC ..... D26/28-36; 362/459-468, 475-478, 362/485-487  
CPC ..... F21S 48/00; F21S 48/10; F21S 48/115; F21S 48/225; F21S 48/1233; F21S 48/1266; F21S 48/1388; F21S 48/2268; F21V 21/04  
See application file for complete search history.

(56) **References Cited**

**U.S. PATENT DOCUMENTS**

D518,199 S \* 3/2006 Honda ..... D26/28  
D527,123 S 8/2006 Beigel et al.  
D539,947 S 4/2007 Lee et al.  
D592,324 S 5/2009 Beigel et al.

D606,678 S \* 12/2009 George ..... D26/28  
D642,712 S \* 8/2011 Ishigaki ..... D26/28  
D658,793 S \* 5/2012 Kato ..... D26/28  
D676,166 S \* 2/2013 Lai ..... D26/28  
D679,844 S \* 4/2013 Frenzel ..... D26/28  
D696,443 S 12/2013 Ito et al.  
D755,426 S \* 5/2016 Handt ..... D26/28  
D757,970 S \* 5/2016 Binder ..... D26/28  
D761,981 S \* 7/2016 Tsutamori ..... D26/28  
D763,486 S \* 8/2016 Kwon ..... D26/28  
D771,293 S \* 11/2016 Ha ..... D26/28  
D771,849 S \* 11/2016 Futschik ..... D26/28  
D776,840 S \* 1/2017 Youn ..... D26/28

\* cited by examiner

*Primary Examiner* — Angela J Lee

(74) *Attorney, Agent, or Firm* — Jeffrey P. Calfa; Mark C. Bach

(57) **CLAIM**

The ornamental design for a headlamp for a vehicle, as shown and described.

**DESCRIPTION**

FIG. 1 is an isometric view of a first embodiment of the headlamp for a vehicle showing my/our new design; FIG. 2 is a left side view of the headlamp of FIG. 1; FIG. 3 is a right side view of the headlamp of FIG. 1; FIG. 4 is a front view of the headlamp of FIG. 1; FIG. 5 is a rear view of the headlamp of FIG. 1; FIG. 6 is a top plan view of the headlamp of FIG. 1; FIG. 7 is a bottom view of the headlamp of FIG. 1; FIG. 8 is an isometric view of a second embodiment of the headlamp for a vehicle showing our new design; FIG. 9 is a left side view thereof; FIG. 10 is a right side view thereof; FIG. 11 is a front view thereof; FIG. 12 is a rear view thereof; FIG. 13 is a top plan view thereof; and, FIG. 14 is a bottom plan view thereof.

**1 Claim, 8 Drawing Sheets**

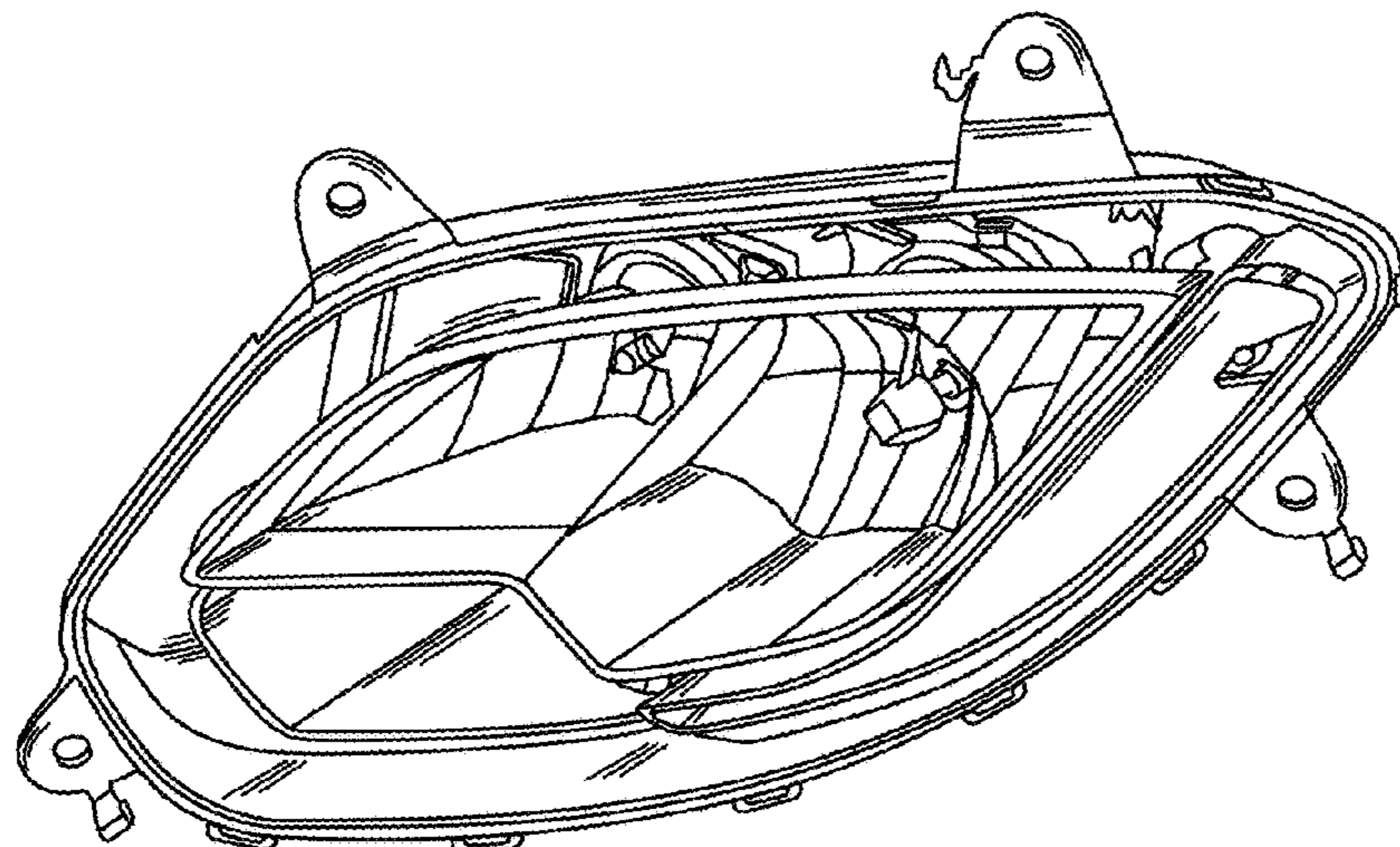


FIG. 1

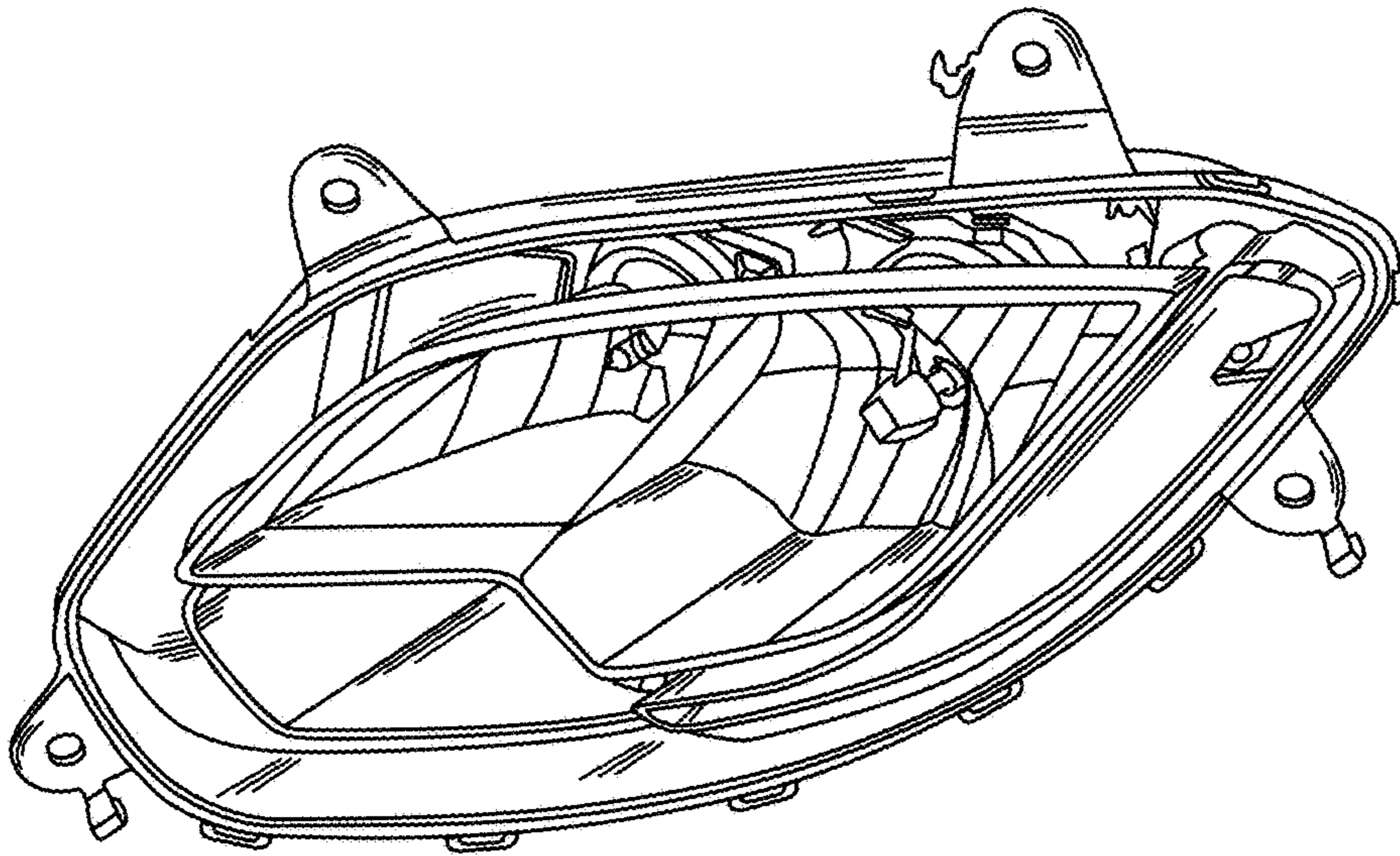


FIG. 2

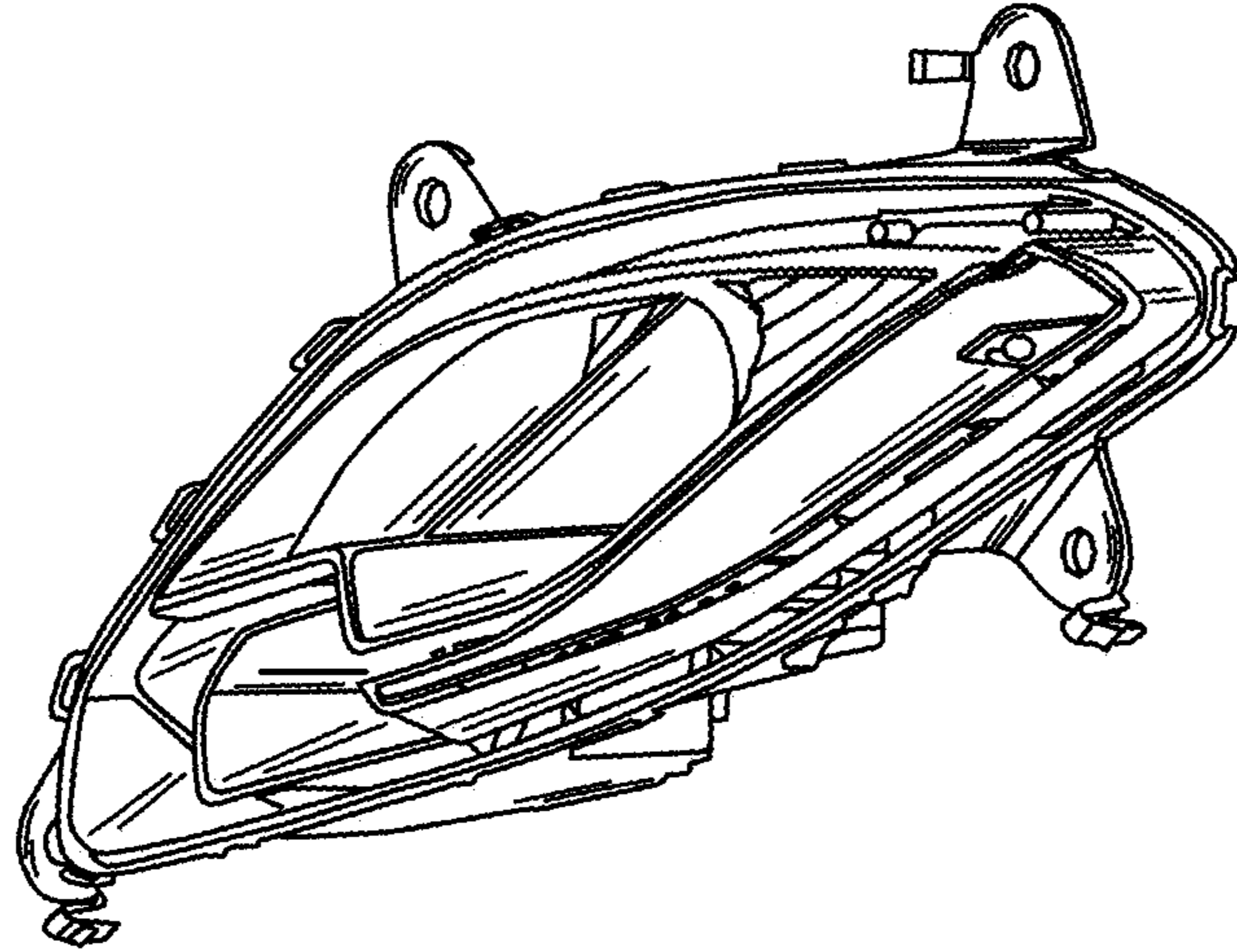


FIG. 3

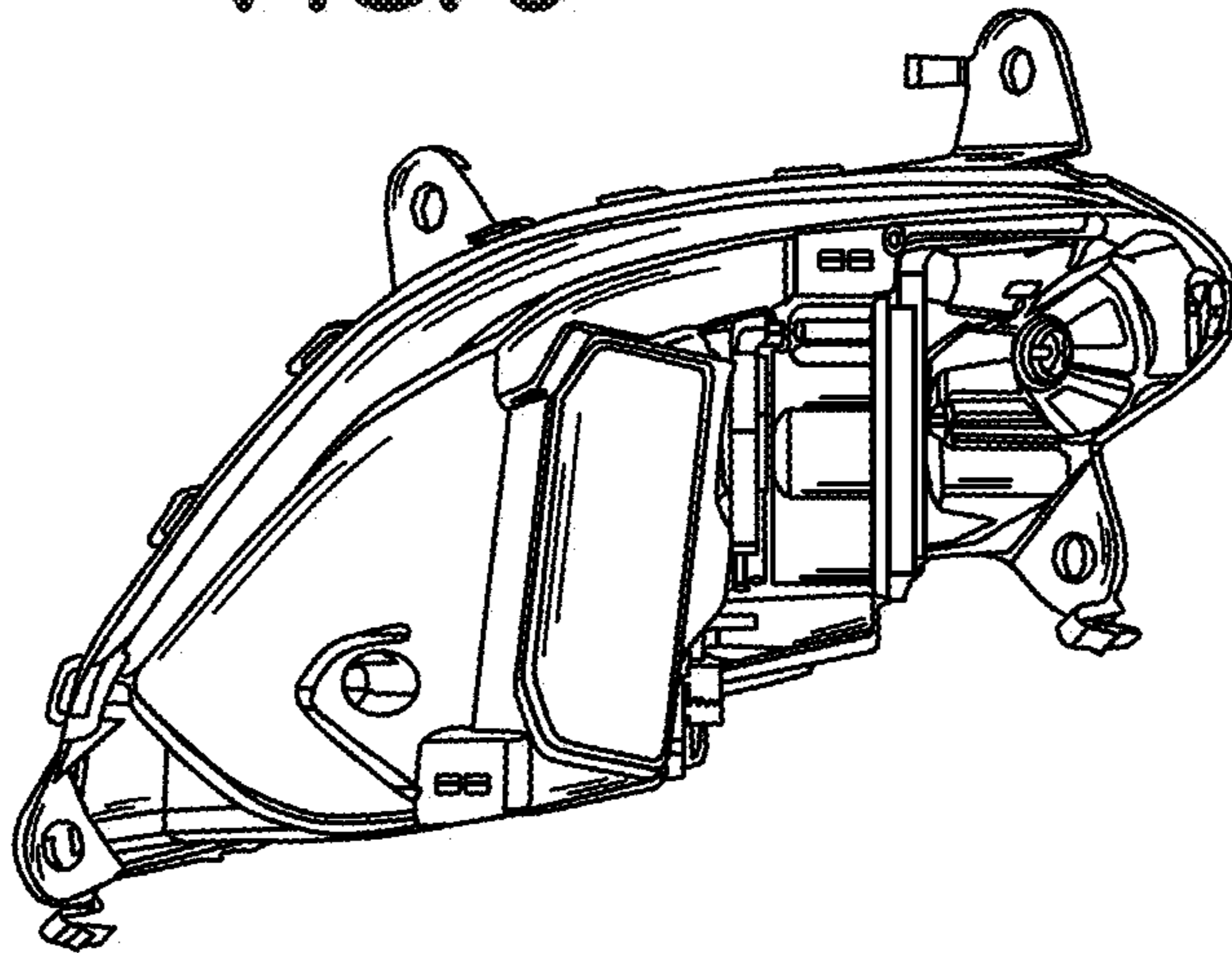


FIG. 4

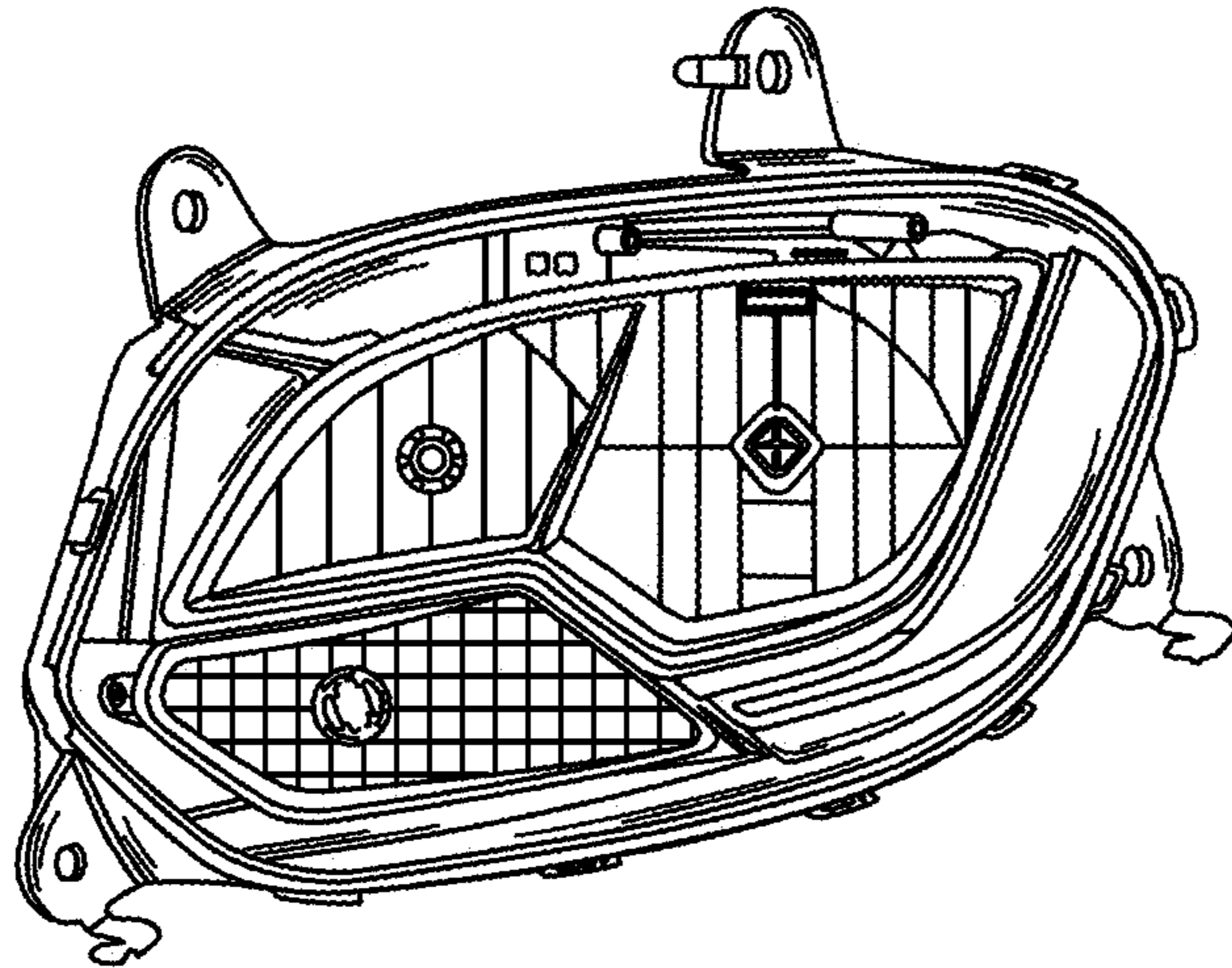
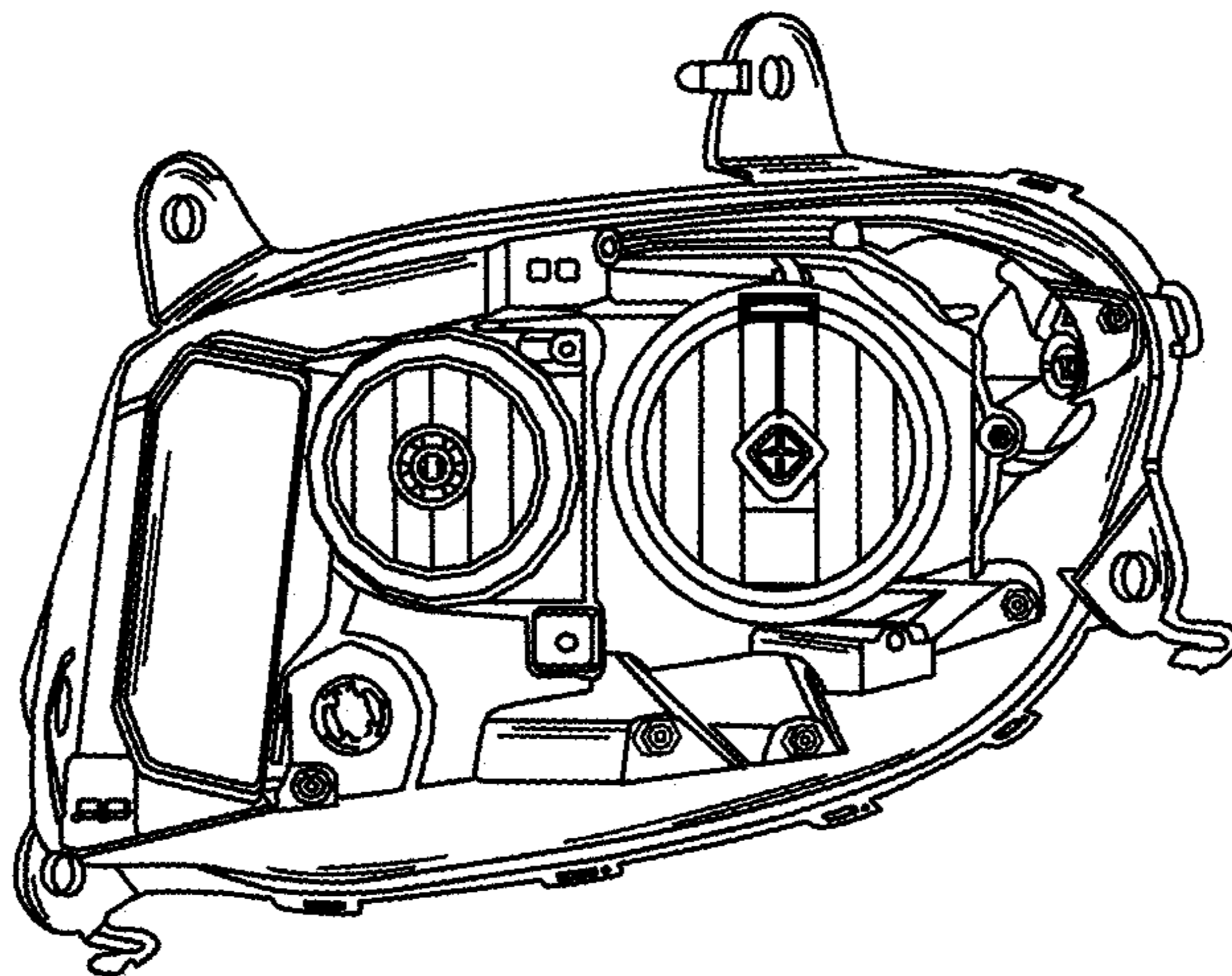
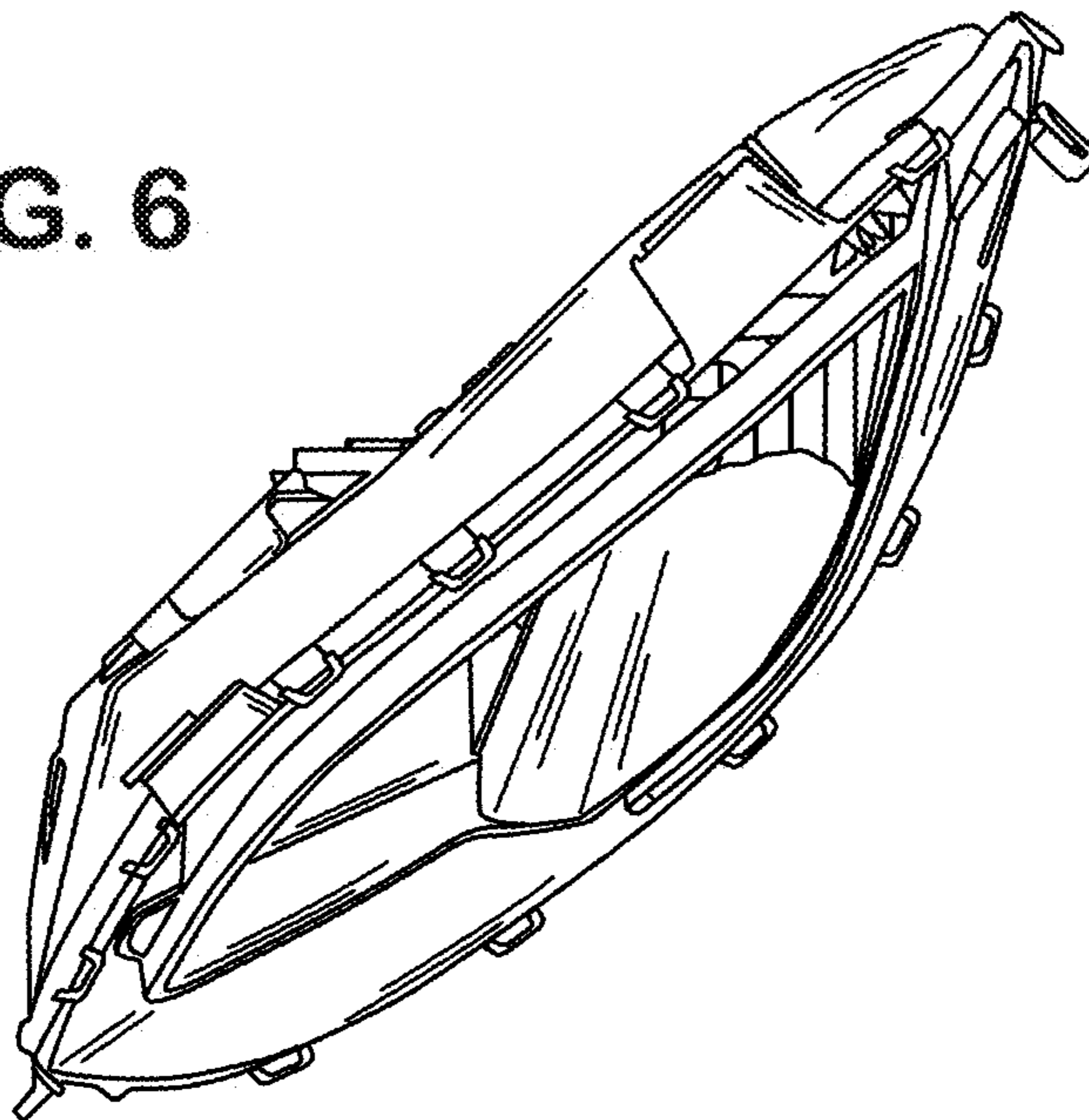


FIG. 5



**FIG. 6**



**FIG. 7**

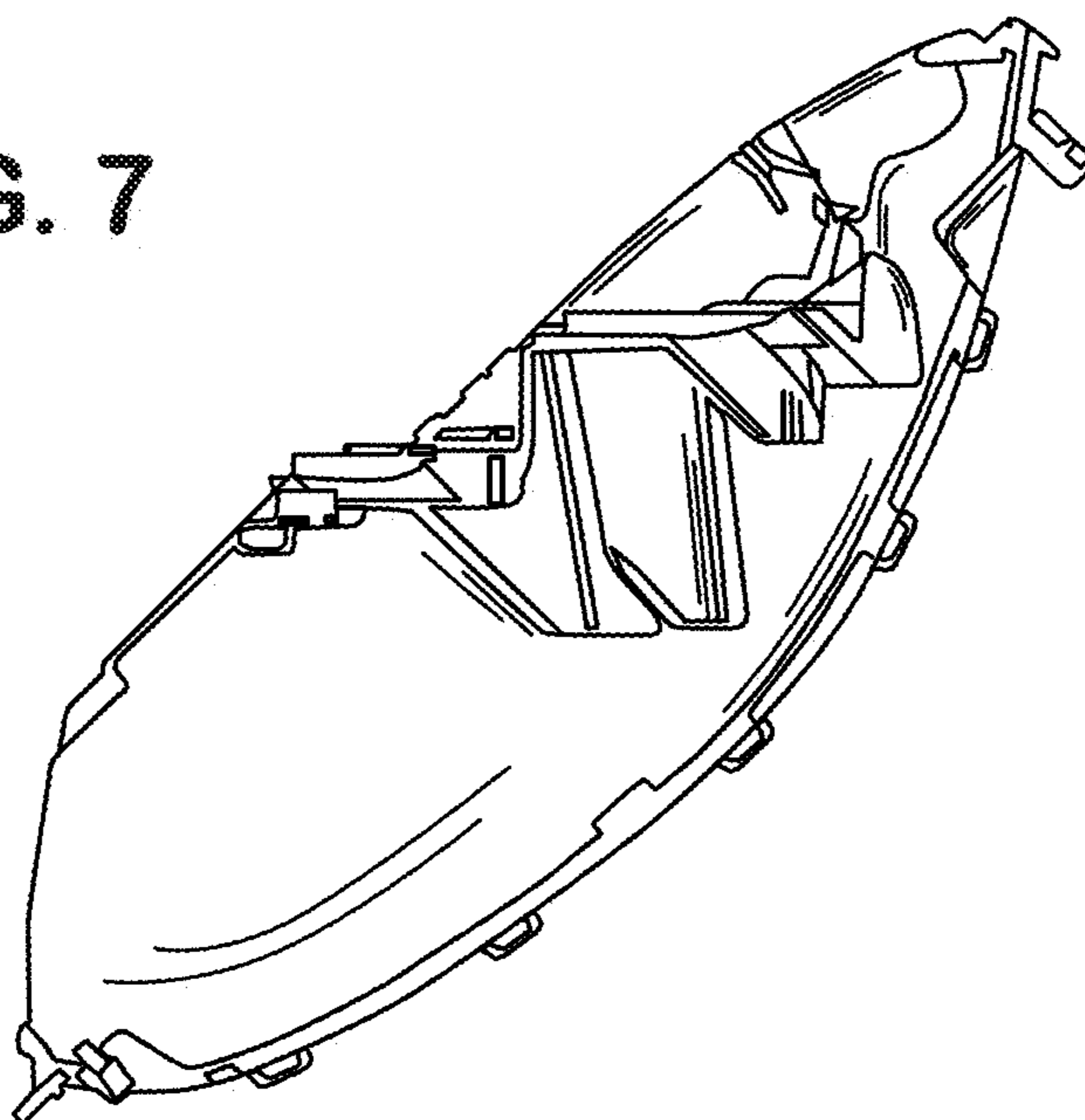


FIG. 8

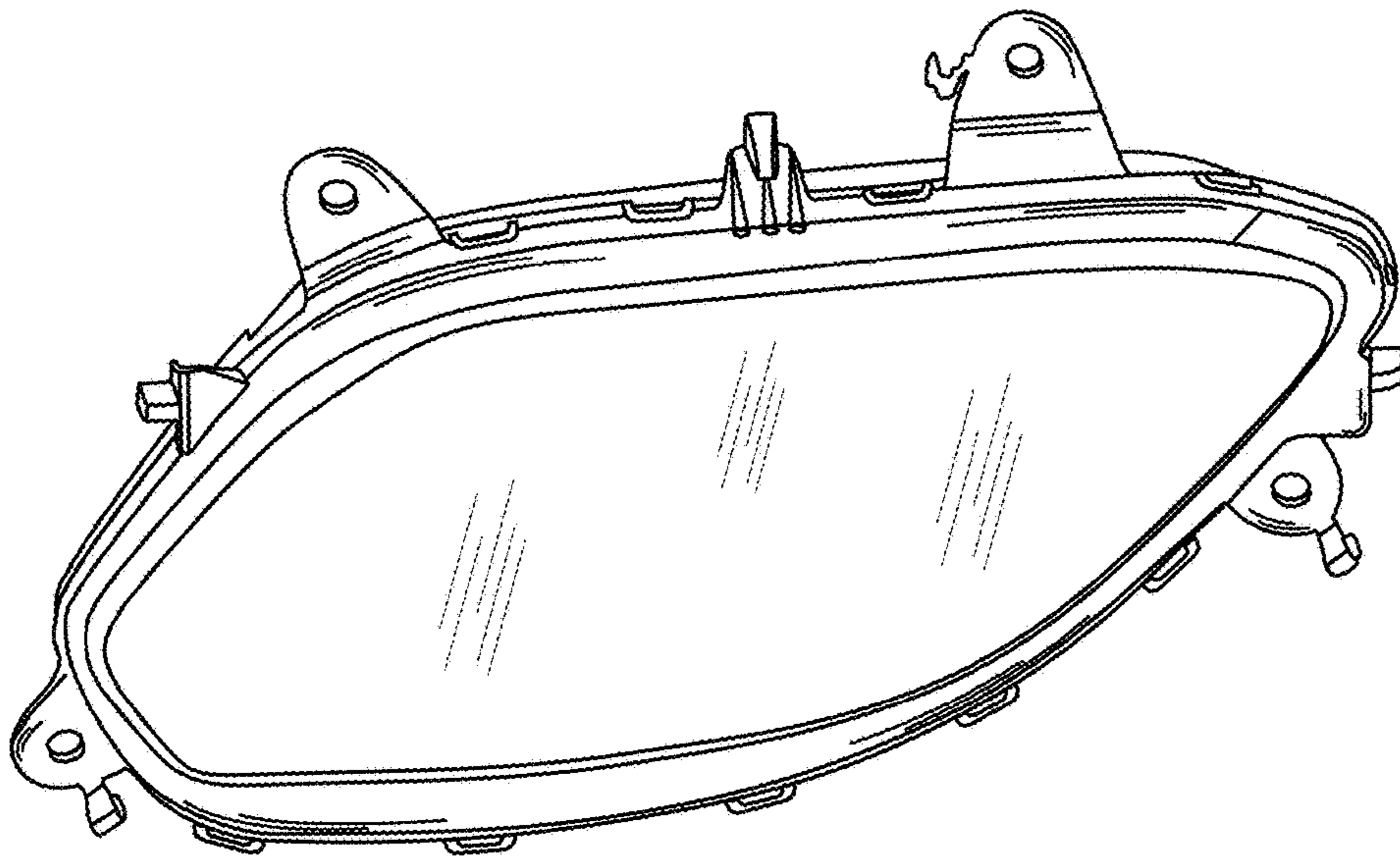


FIG. 9

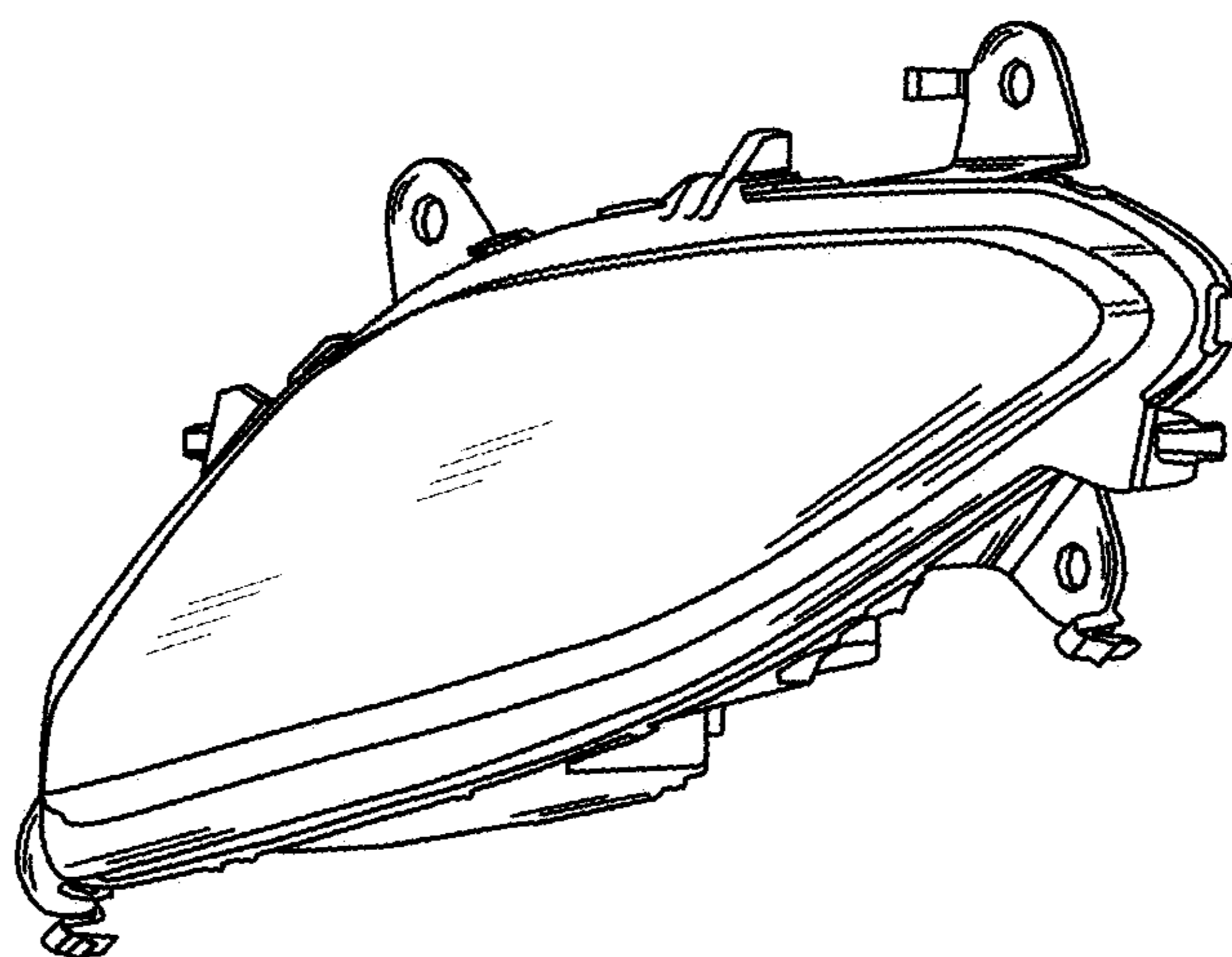


FIG. 10

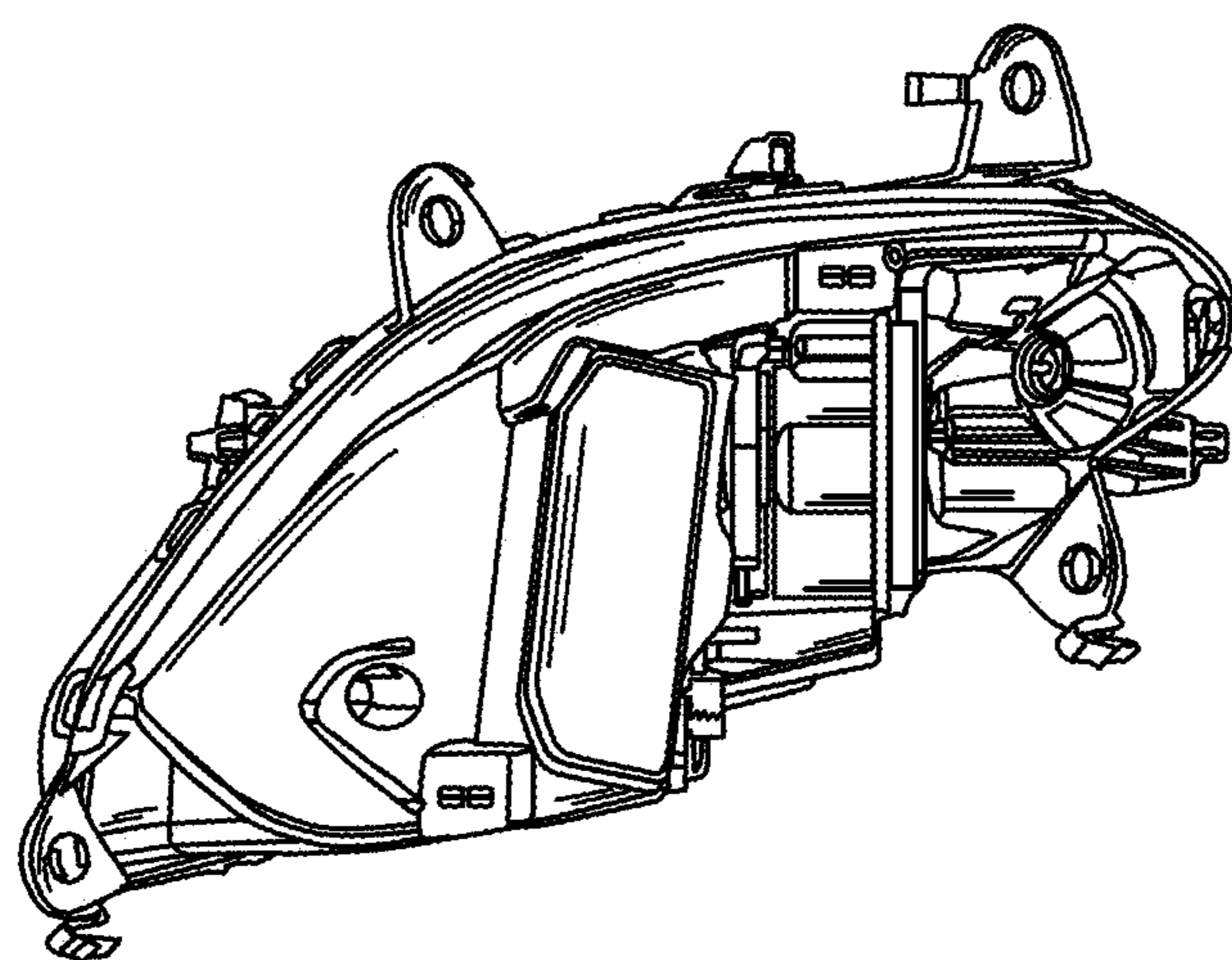


FIG. 11

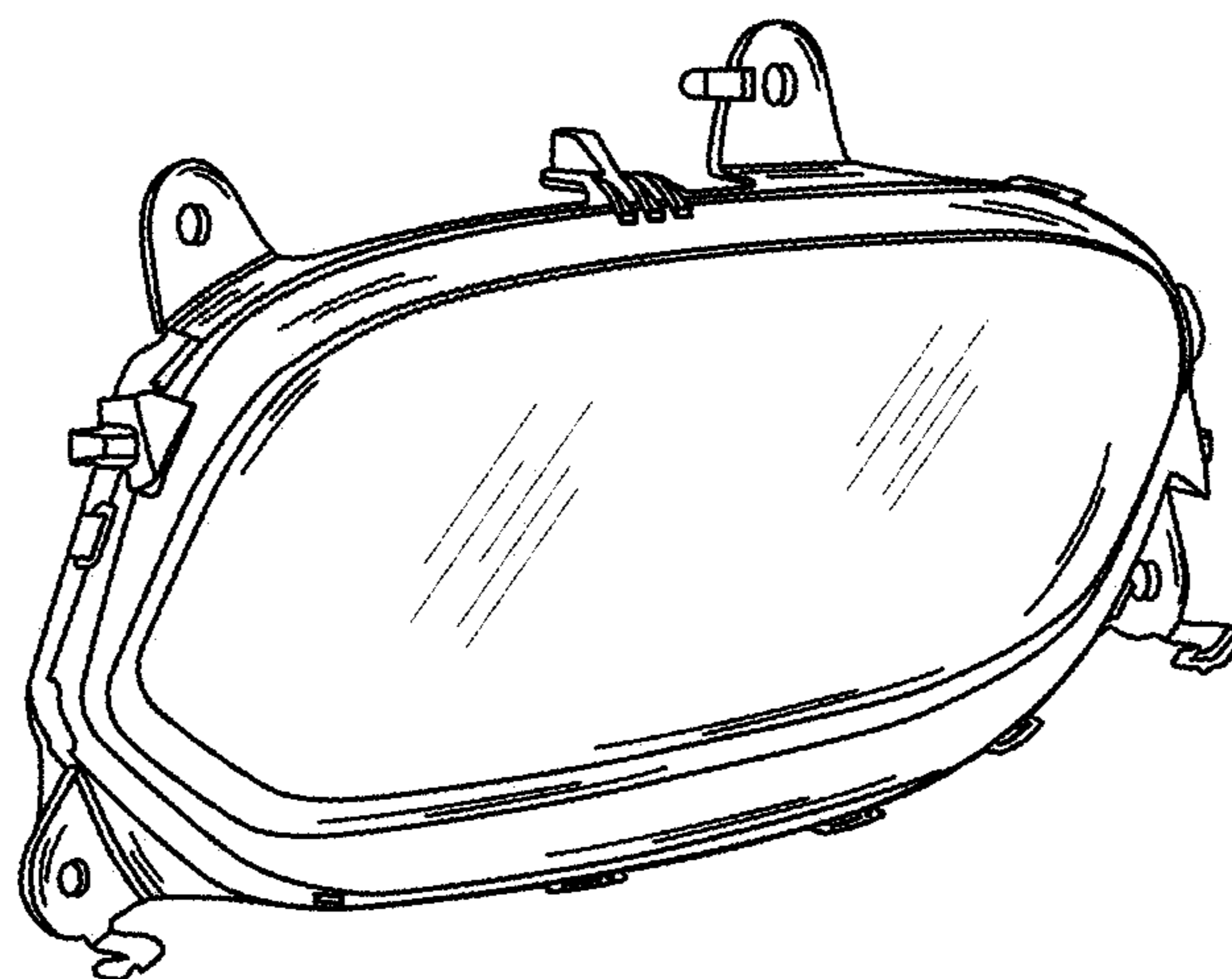


FIG. 12

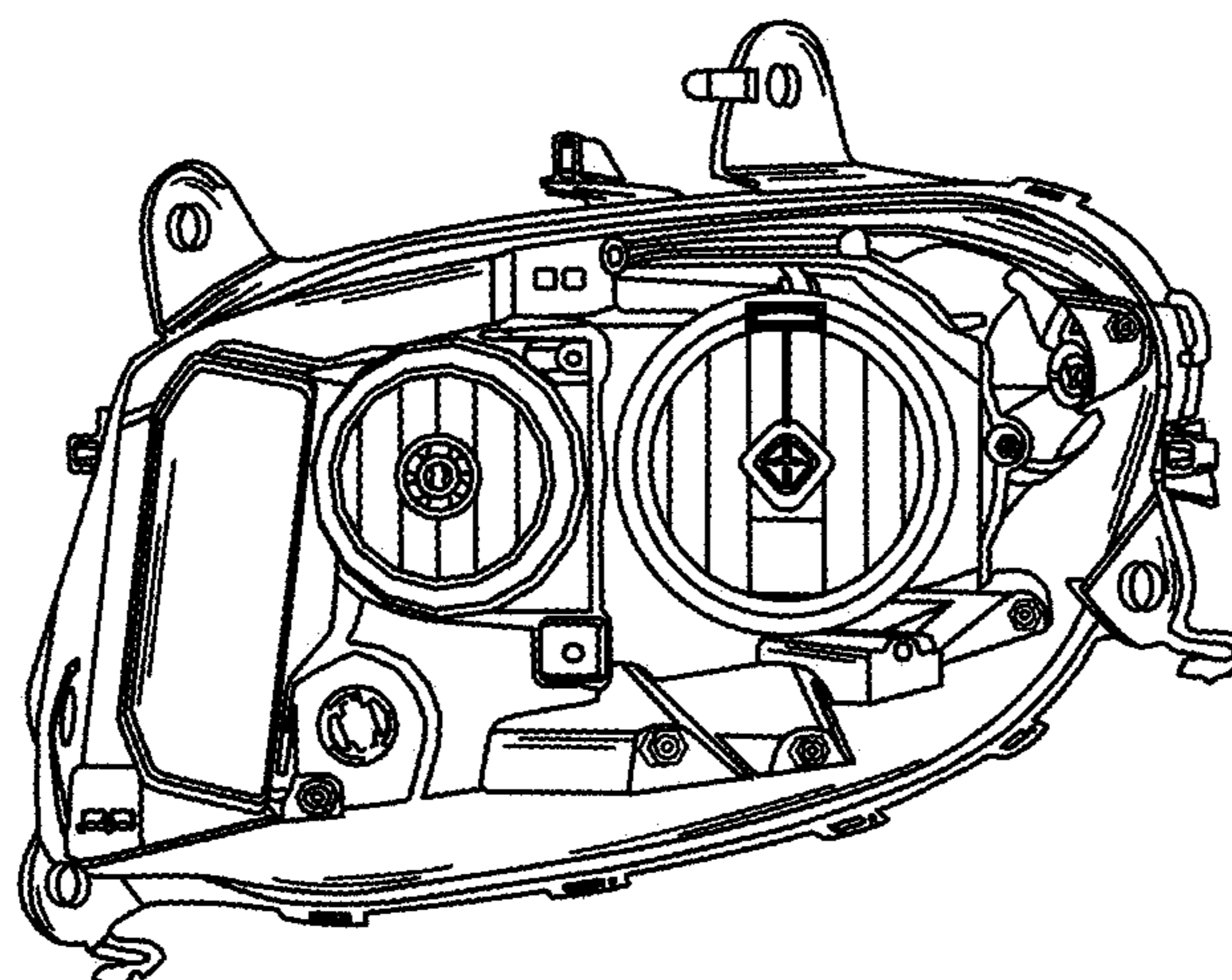




FIG. 13

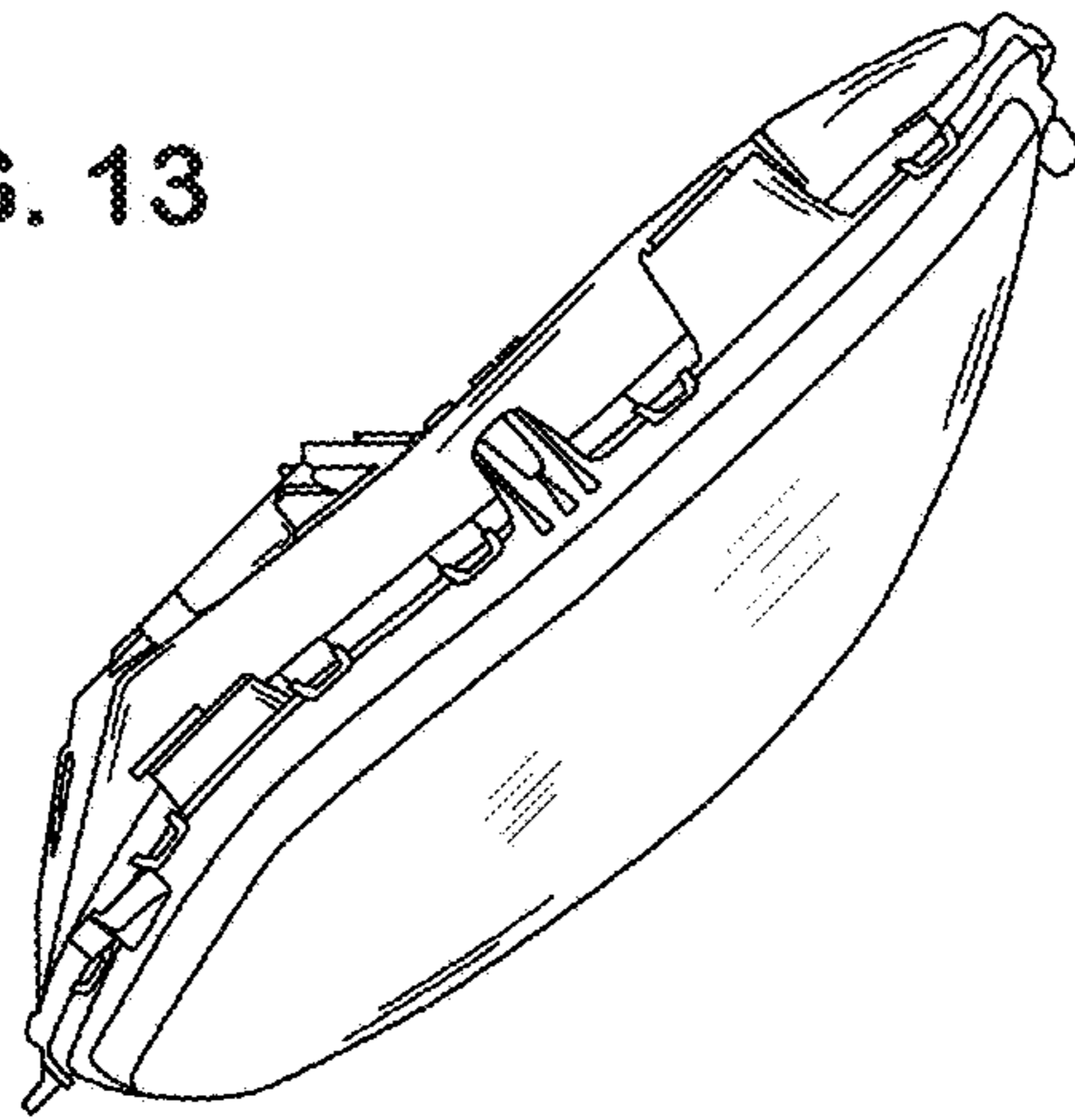


FIG. 14

