

US00D796091S

(12) **United States Design Patent** (10) **Patent No.:** **US D796,091 S**  
**Kojima et al.** (45) **Date of Patent:** **\*\* Aug. 29, 2017**

(54) **REAR COMBINATION LAMP FOR A MOTOR VEHICLE**

(71) Applicants: **Manabu Kojima**, Anjo (JP); **Taketoshi Aoki**, Nagoya (JP)

(72) Inventors: **Manabu Kojima**, Anjo (JP); **Taketoshi Aoki**, Nagoya (JP)

(73) Assignee: **Toyota Jidosha Kabushiki Kaisha**, Toyota-shi, Aichi-ken (JP)

(\*\*) Term: **15 Years**

(21) Appl. No.: **29/565,423**

(22) Filed: **May 20, 2016**

(30) **Foreign Application Priority Data**

Nov. 27, 2015 (JP) ..... 2015-026481

(51) **LOC (10) Cl.** ..... **26-07**

(52) **U.S. Cl.**  
USPC ..... **D26/28**

(58) **Field of Classification Search**  
USPC ..... D26/28-36; 362/459-468, 475-478, 362/485-487  
CPC ..... F21S 48/00; F21S 48/10; F21S 48/115; F21S 48/225; F21S 48/1233; F21S 48/1266; F21S 48/1388; F21S 48/2268; F21V 21/04

See application file for complete search history.

(56) **References Cited**

**U.S. PATENT DOCUMENTS**

D412,587 S \* 8/1999 Bangle ..... D26/28  
D528,235 S \* 9/2006 Kato ..... D26/28  
D634,868 S \* 3/2011 Matei ..... D26/28  
D695,935 S \* 12/2013 Ueda ..... D26/28  
D706,469 S \* 6/2014 Futschik ..... D26/28

D716,478 S \* 10/2014 Loeb ..... D26/28  
D750,300 S \* 2/2016 Frascella ..... D26/28  
D752,786 S \* 3/2016 Futschik ..... D26/28  
D753,324 S \* 4/2016 Rugar ..... D26/28  
D756,004 S \* 5/2016 Kong ..... D26/28  
D756,006 S \* 5/2016 Handt ..... D26/28  
D761,455 S \* 7/2016 Futschik ..... D26/28  
D761,459 S \* 7/2016 Binder ..... D26/28

**OTHER PUBLICATIONS**

Netcarshow.com, URL: [http://www.netcarshow.com/lexus/2013-is\\_460/](http://www.netcarshow.com/lexus/2013-is_460/); Model: Lexus LS (2013); Mfg.: Toyota; available on at least Nov. 6, 2015.

(Continued)

*Primary Examiner* — Angela J Lee  
(74) *Attorney, Agent, or Firm* — Finnegan, Henderson, Farabow, Garrett & Dunner, L.L.P.

(57) **CLAIM**

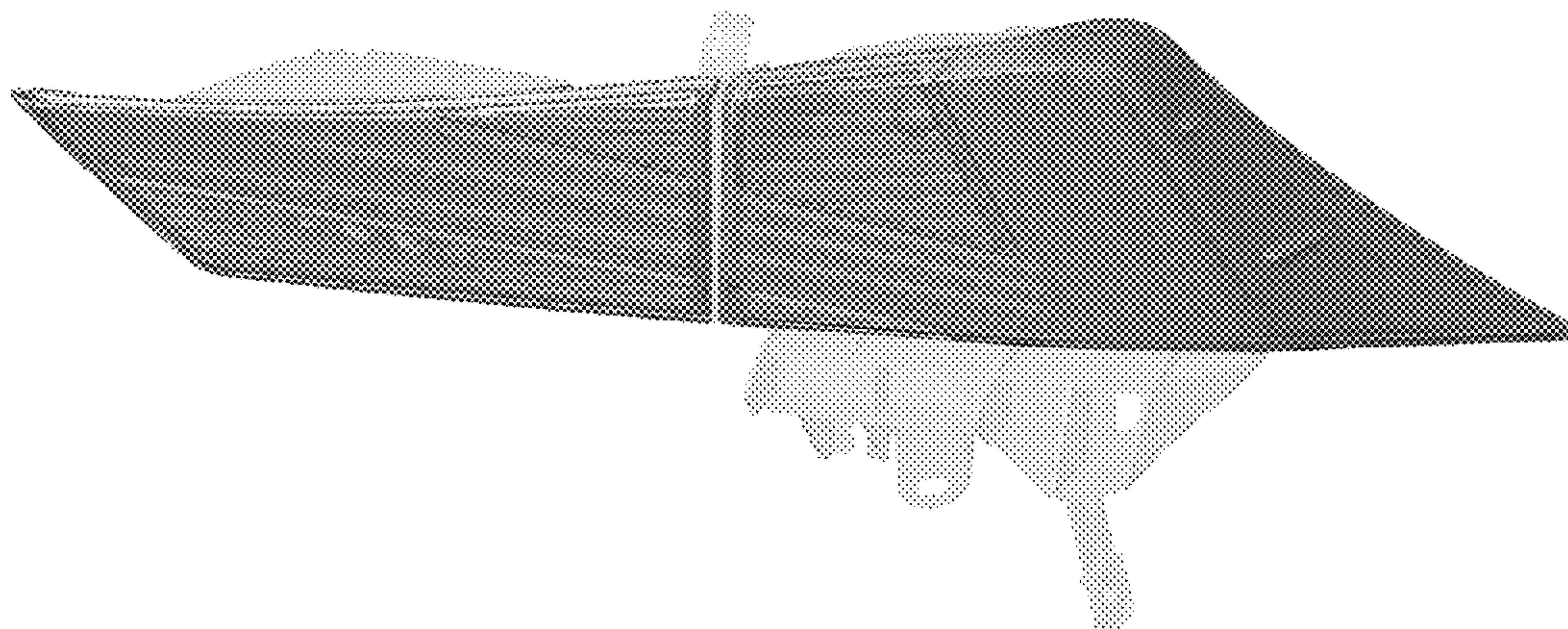
The ornamental design for a rear combination lamp of a motor vehicle, shown and described.

**DESCRIPTION**

FIG. 1 is a perspective view of a rear combination lamp for a motor vehicle showing our new design;  
FIG. 2 is a front view thereof;  
FIG. 3 is a rear view thereof;  
FIG. 4 is a right side view thereof;  
FIG. 5 is a left side view thereof;  
FIG. 6 is a top view thereof; and,  
FIG. 7 is a bottom view thereof.

Our design includes a mirror image of the embodiment depicted. The de-emphasized and halftone portions shown in the photographs illustrate environmental structure of the rear combination lamp for a motor vehicle that forms no part of the claimed design.

**1 Claim, 7 Drawing Sheets**



(56)

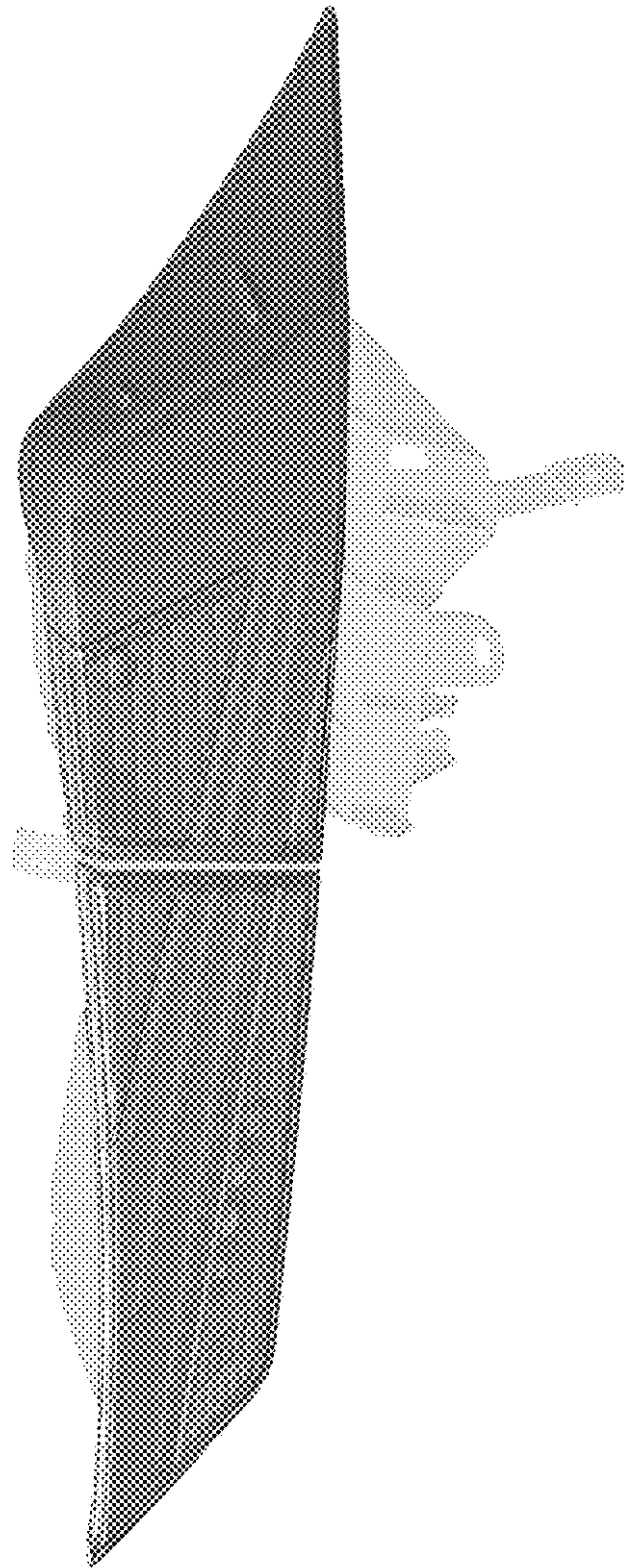
**References Cited**

OTHER PUBLICATIONS

Netcarshow.com,URL: <http://www.netcarshow.com/BMW/2014-x5/>; Model: BMW X5 (2014); Mfg.: BMW; available on at least Nov. 6, 2015.

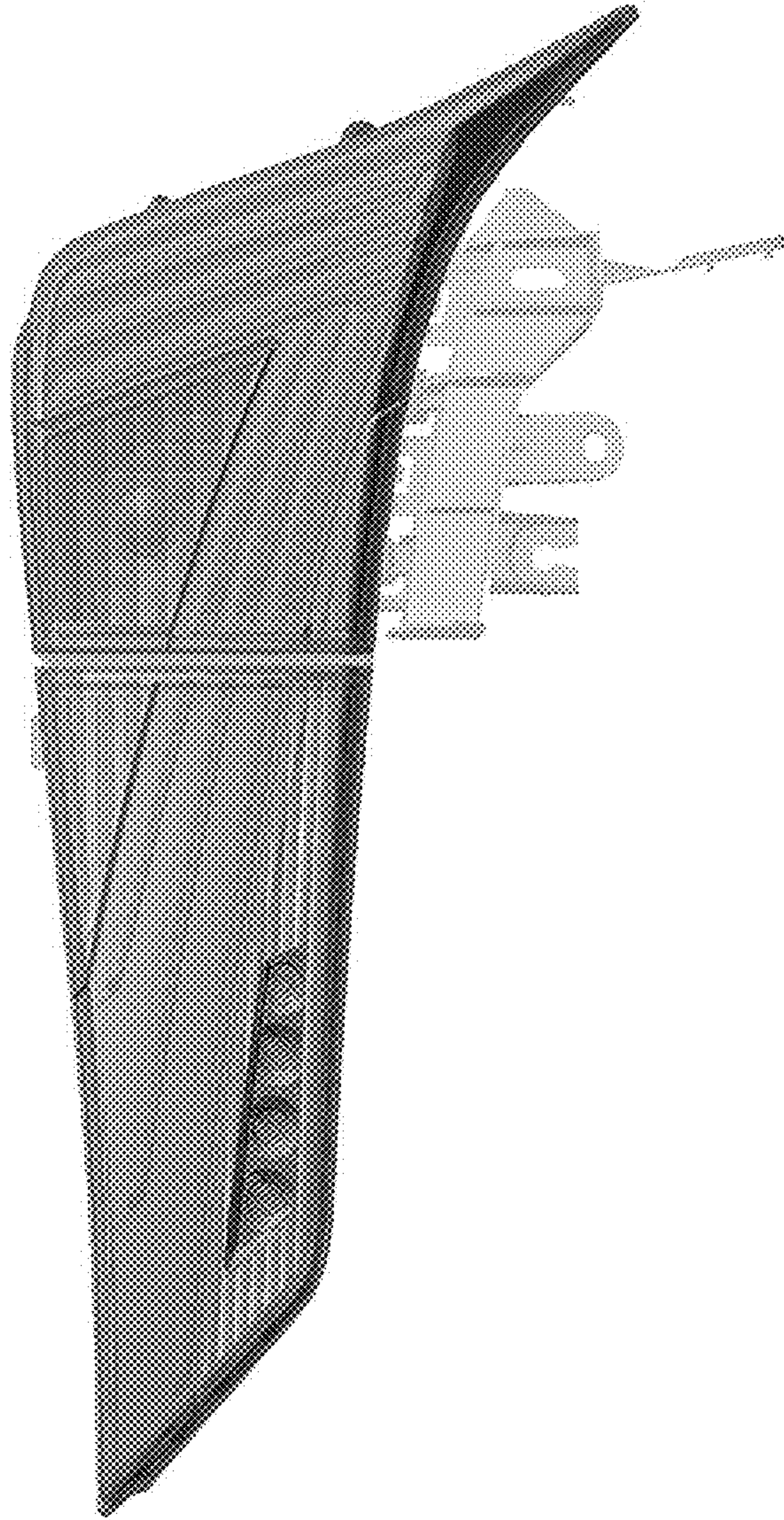
Netcarshow.com,URL: <http://www.netcarshow.com/BMW/2015-x3/>; Model: BMW X3 (2015); Mfg.: BMW; available on at least Nov. 6, 2015.

\* cited by examiner

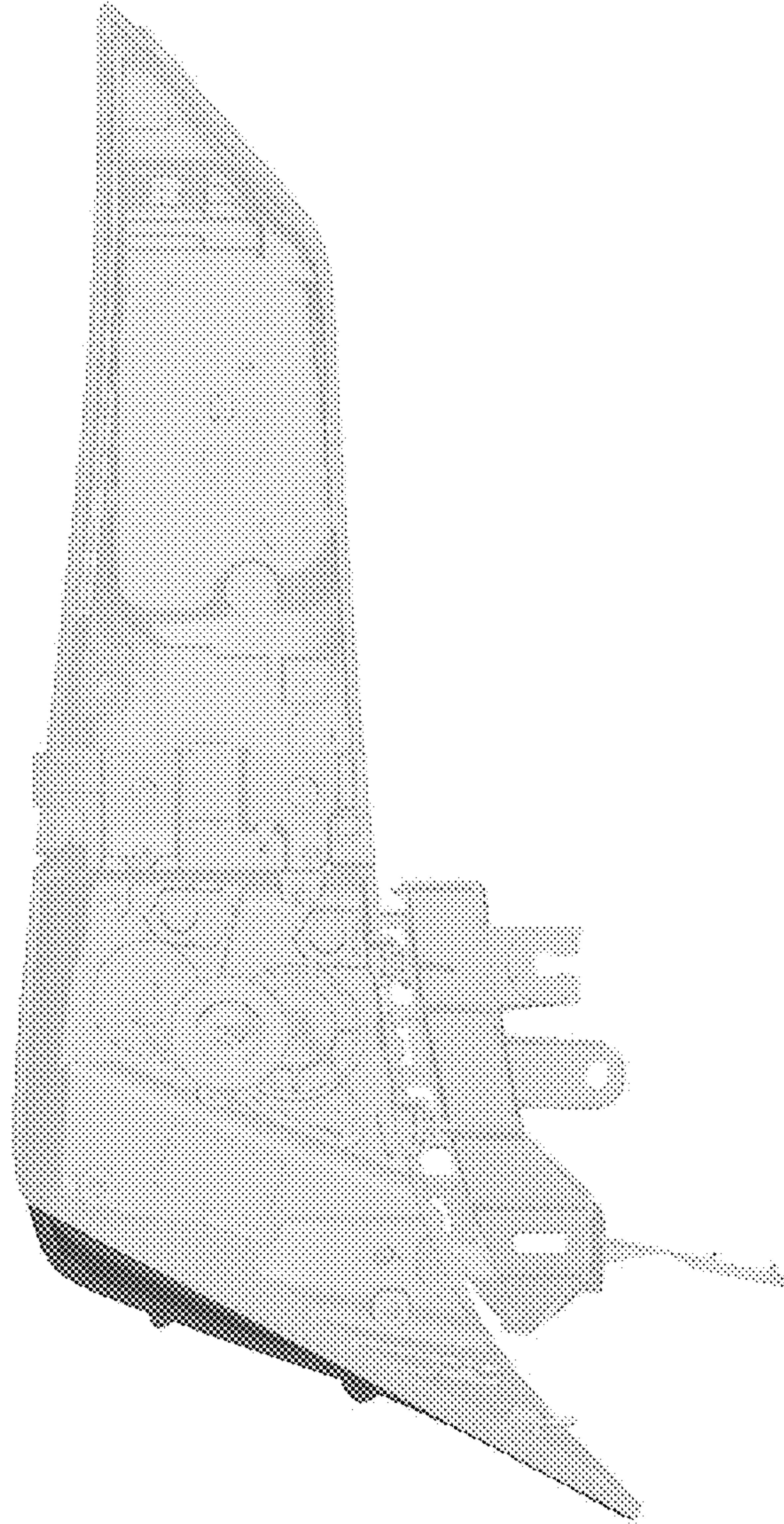


**FIG. 1**

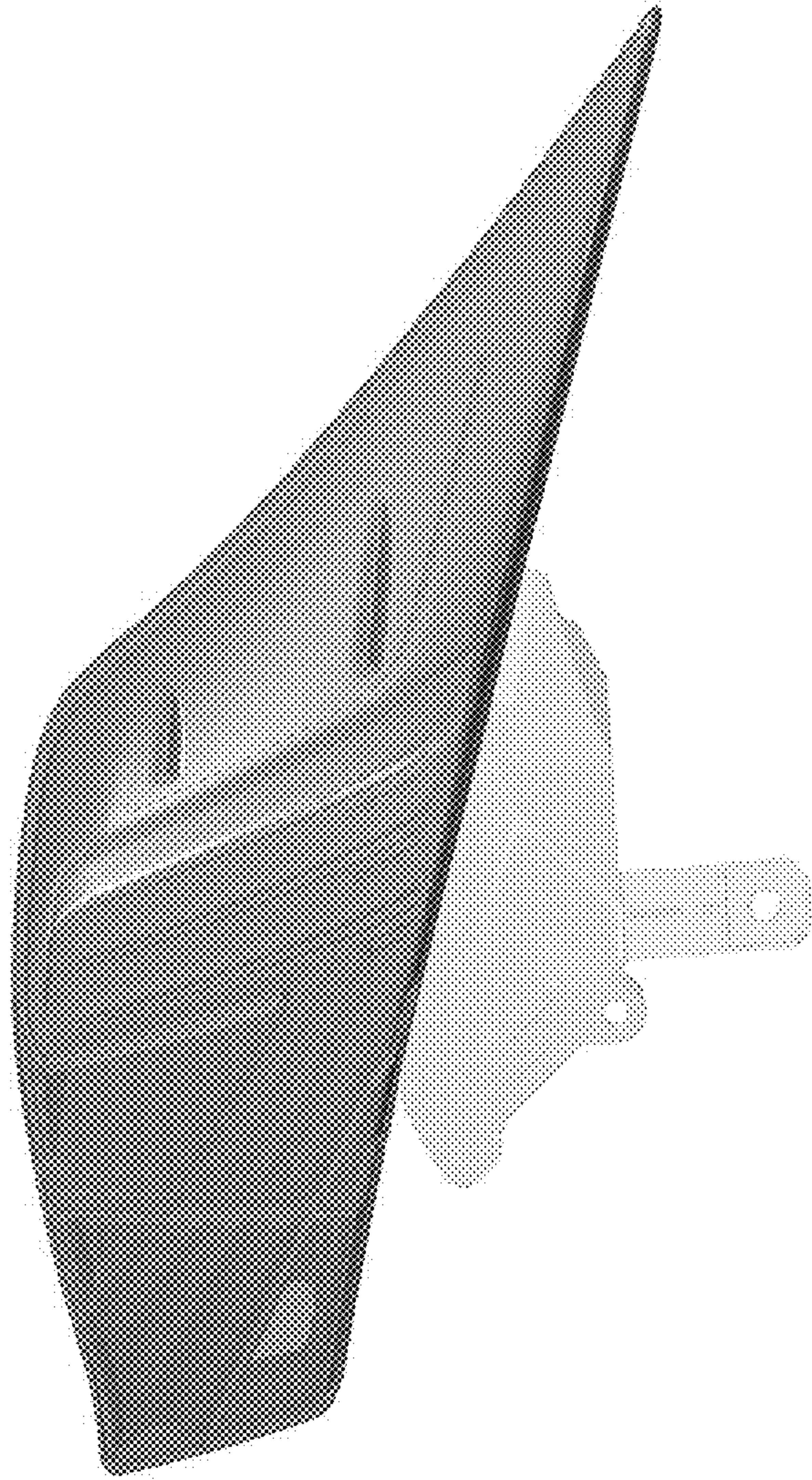




**FIG. 2**

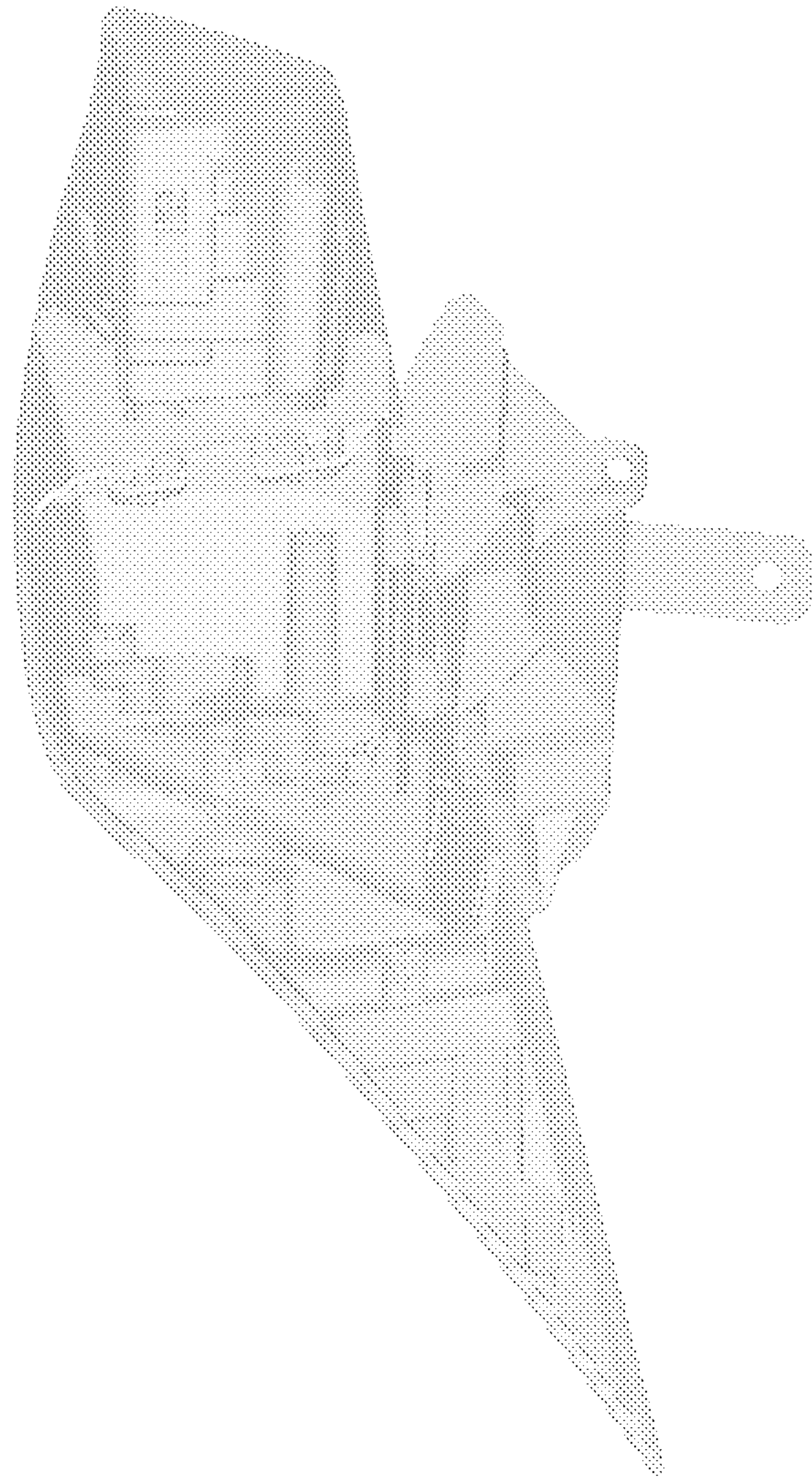


**FIG. 3**

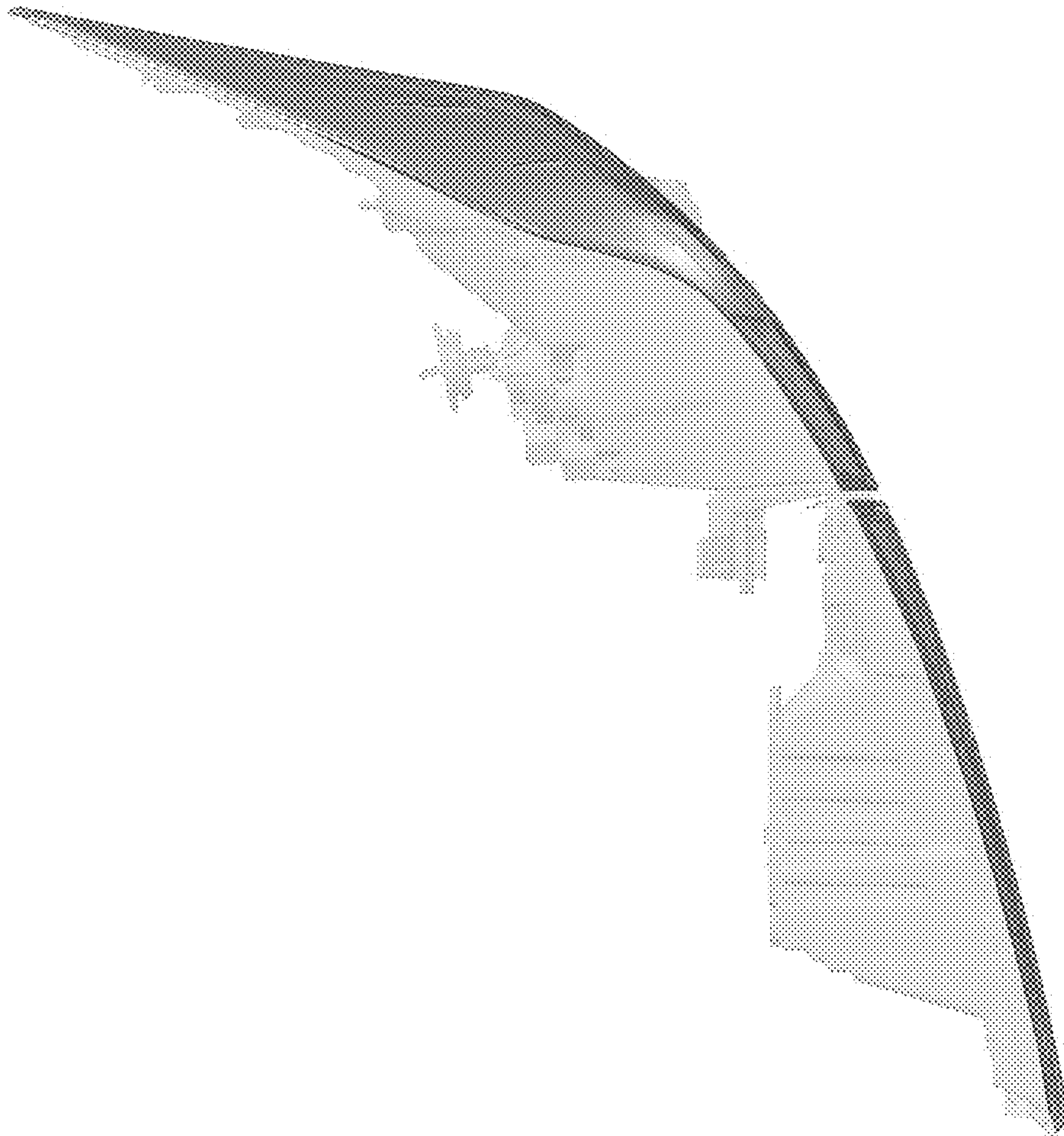


**FIG. 4**





**FIG. 5**



**FIG. 6**



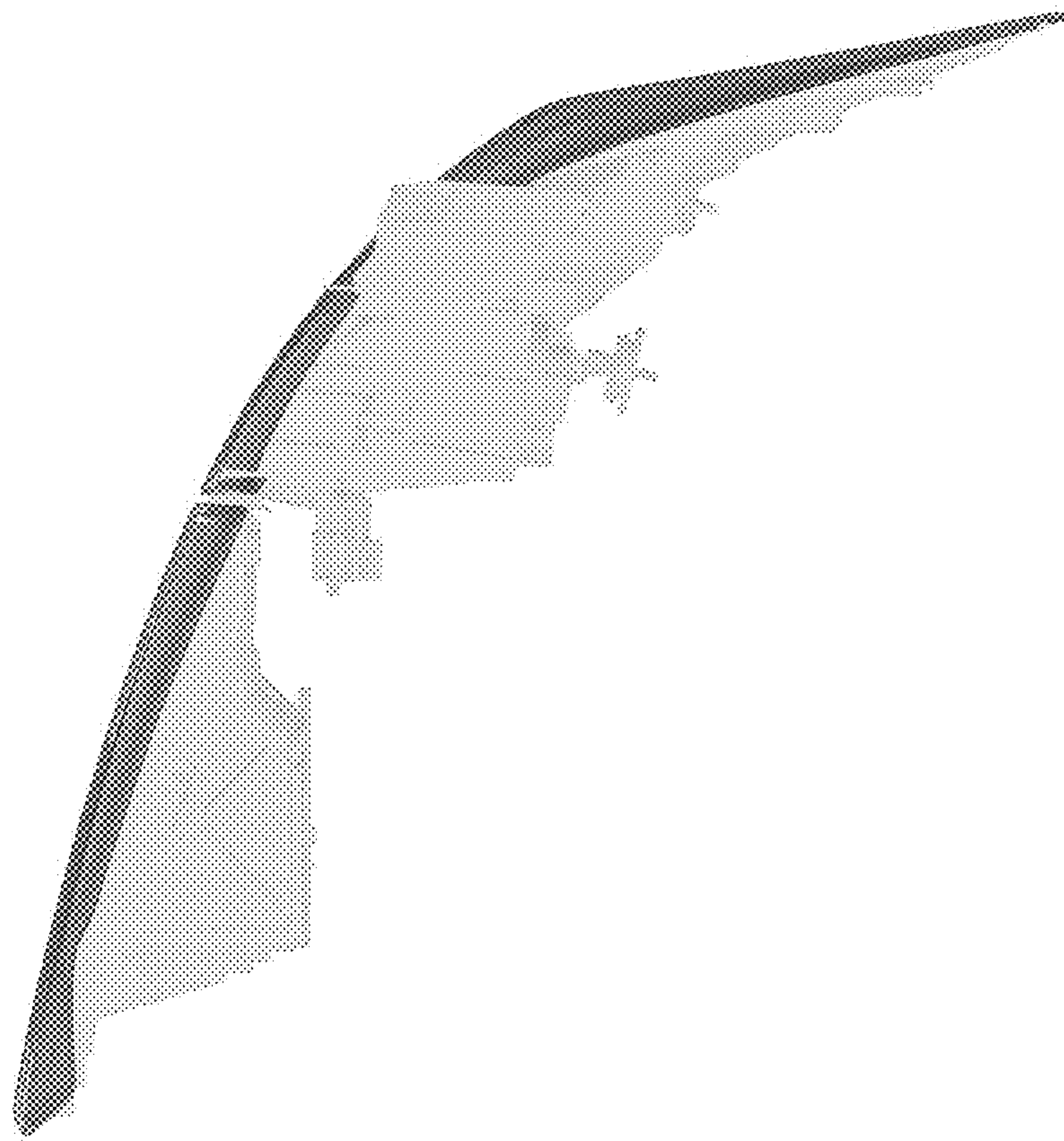


FIG. 7

UNITED STATES PATENT AND TRADEMARK OFFICE  
**CERTIFICATE OF CORRECTION**

PATENT NO. : D796,091 S  
APPLICATION NO. : 29/565423  
DATED : August 29, 2017  
INVENTOR(S) : Manabu Kojima et al.

Page 1 of 1

It is certified that error appears in the above-identified patent and that said Letters Patent is hereby corrected as shown below:

On the Title Page

Please correct item (56) under "OTHER PUBLICATIONS" as follows:

Netcarshow.com, URL: [http://www.netcarshow.com/lexus/2013-ls\\_460/](http://www.netcarshow.com/lexus/2013-ls_460/); Model: Lexus LS (2013):  
Mfg.: Toyota; available on at least Nov. 6, 2015.

Signed and Sealed this  
Seventh Day of November, 2017



Joseph Matal

*Performing the Functions and Duties of the  
Under Secretary of Commerce for Intellectual Property and  
Director of the United States Patent and Trademark Office*