



US00D796089S

(12) **United States Design Patent** (10) **Patent No.:** **US D796,089 S**  
**Suwa et al.** (45) **Date of Patent:** **\*\* Aug. 29, 2017**

(54) **HEADLIGHT LENSES FOR A VEHICLE**

(71) Applicant: **Mitsubishi Electric Corporation,**  
Tokyo (JP)

(72) Inventors: **Masashige Suwa,** Tokyo (JP); **Ritsuya Oshima,** Tokyo (JP); **Kuniko Kojima,** Tokyo (JP)

(73) Assignee: **Mitsubishi Electric Corporation,**  
Tokyo (JP)

(\*\*) Term: **15 Years**

(21) Appl. No.: **29/555,869**

(22) Filed: **Feb. 25, 2016**

(30) **Foreign Application Priority Data**

Aug. 27, 2015 (JP) ..... 2015-018794

Aug. 27, 2015 (JP) ..... 2015-018795

(Continued)

(51) **LOC (10) Cl.** ..... **26-06**

(52) **U.S. Cl.**  
USPC ..... **D26/28**

(58) **Field of Classification Search**  
USPC ..... D26/28-36; 362/80-83, 267-269,  
362/459-468, 475-478, 485-487

(Continued)

(56) **References Cited**

**U.S. PATENT DOCUMENTS**

D490,172 S \* 5/2004 Yamamoto ..... D26/28

D521,162 S \* 5/2006 Campagna ..... D26/28

(Continued)

*Primary Examiner* — Marcus Jackson

(74) *Attorney, Agent, or Firm* — Studebaker & Brackett  
PC

(57) **CLAIM**

The ornamental design for headlight lenses for a vehicle, as shown and described.

**DESCRIPTION**

FIG. 1 is a front, top and right side perspective view of headlight lenses for a vehicle, showing our new design; FIG. 2 is a rear, bottom and left side perspective view thereof;

FIG. 3 is a front view thereof;

FIG. 4 is a rear view thereof;

FIG. 5 is a right side view thereof;

FIG. 6 is a left side view thereof;

FIG. 7 is a top view thereof;

FIG. 8 is a bottom view thereof;

FIG. 9 is a front, top and right side perspective view of headlight lenses for a vehicle, showing an alternative embodiment of our new design;

FIG. 10 is a rear, bottom and left side perspective view thereof;

FIG. 11 is a front view thereof;

FIG. 12 is a rear view thereof;

FIG. 13 is a right side view thereof;

FIG. 14 is a left side view thereof;

FIG. 15 is a top view thereof;

FIG. 16 is a bottom view thereof;

FIG. 17 is a front, top and right side perspective view of headlight lenses for a vehicle, showing an alternative embodiment of our new design;

FIG. 18 is a rear, bottom and left side perspective view thereof;

FIG. 19 is a front view thereof;

FIG. 20 is a rear view thereof;

FIG. 21 is a right side view thereof;

FIG. 22 is a left side view thereof;

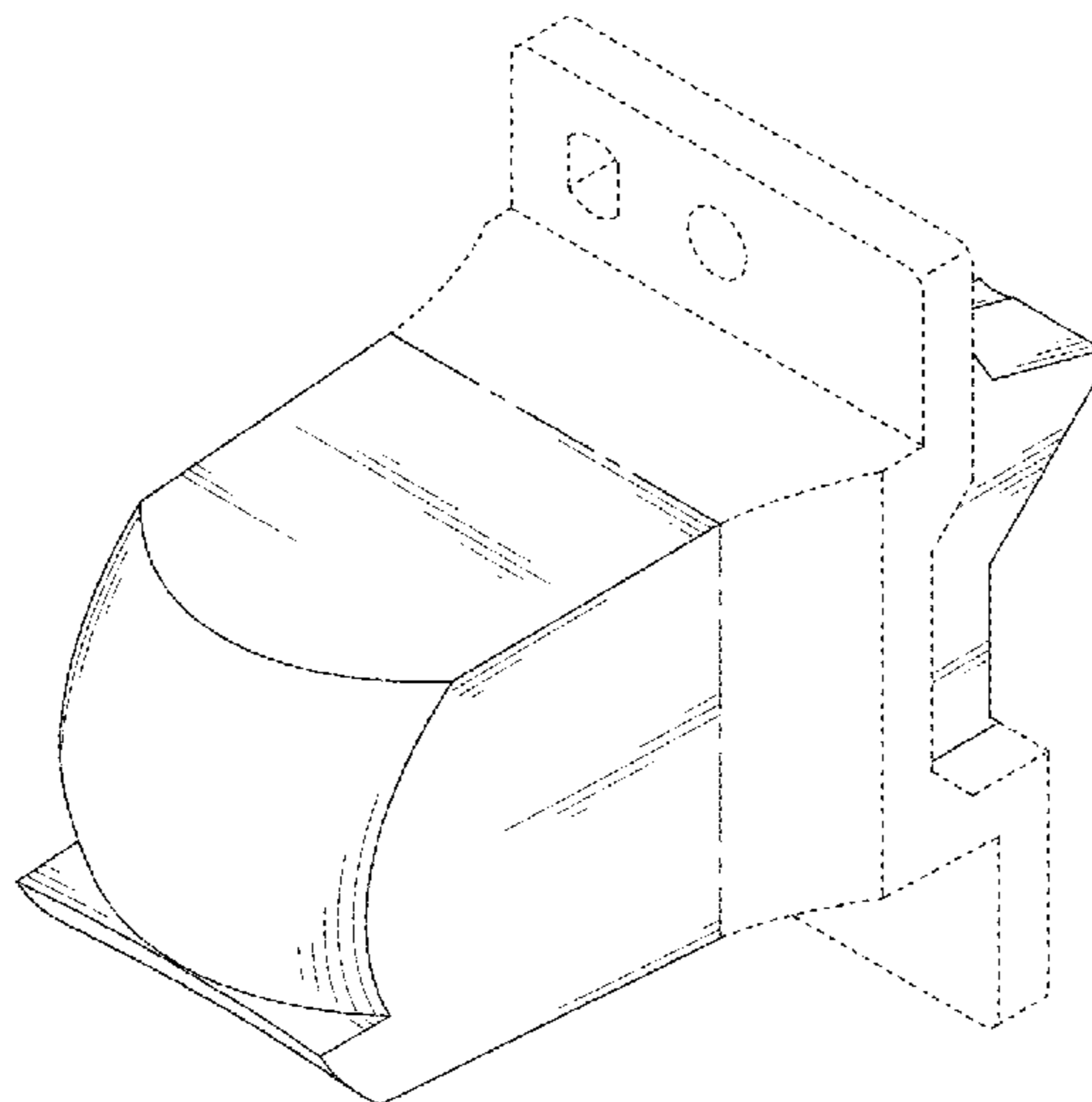
FIG. 23 is a top view thereof; and,

FIG. 24 is a bottom view thereof.

The part indicated by the solid line is a part intended for design registration as a partial design.

Dotted and dashed lines represent boundaries between the portions intended for registration as a partial design and the other portions.

**1 Claim, 24 Drawing Sheets**



(30) **Foreign Application Priority Data**

Aug. 27, 2015 (JP) ..... 2015-018796  
Aug. 27, 2015 (JP) ..... 2015-018797

(58) **Field of Classification Search**

CPC ..... F21S 48/00; F21S 48/10; F21S 48/115;  
F21S 48/1233; F21S 48/1266; F21S  
48/1388; F21S 48/2268; F21V 21/04  
See application file for complete search history.

(56) **References Cited**

U.S. PATENT DOCUMENTS

D564,683 S \* 3/2008 Roach ..... D26/28  
D570,011 S \* 5/2008 Huang ..... D26/28  
D638,963 S \* 5/2011 Huang ..... D26/28

\* cited by examiner

Fig. 1

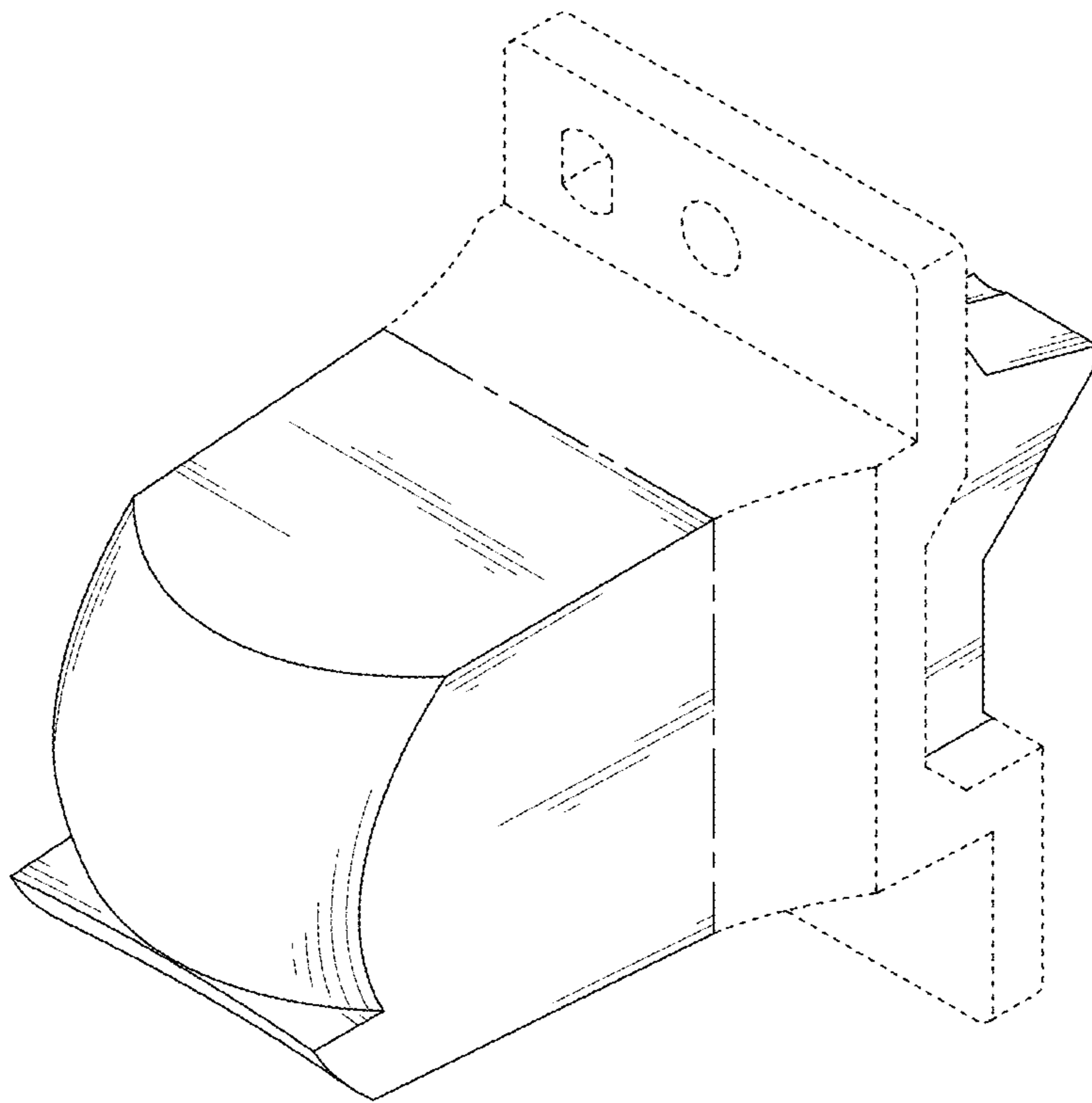


Fig.2

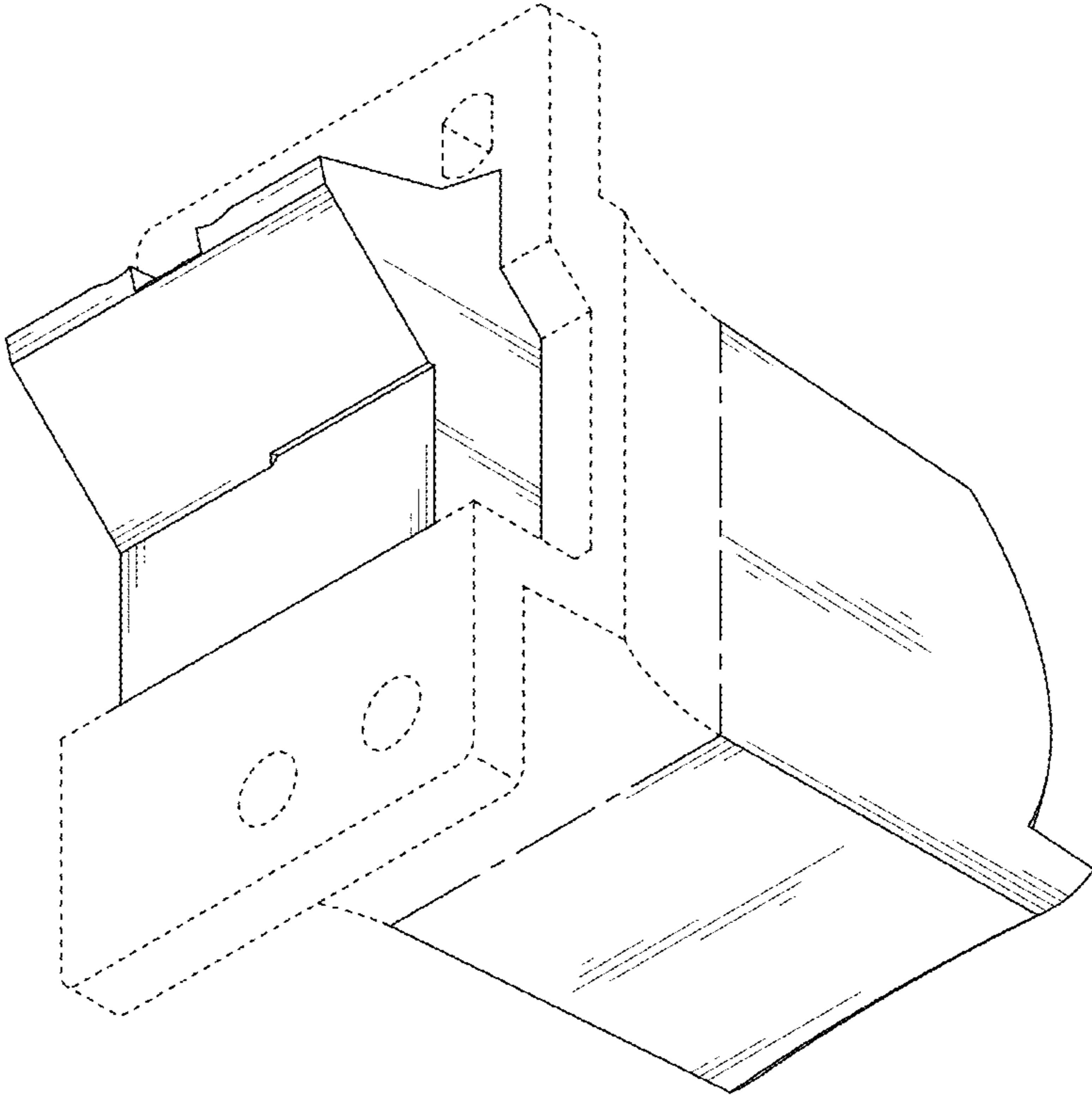


Fig.3

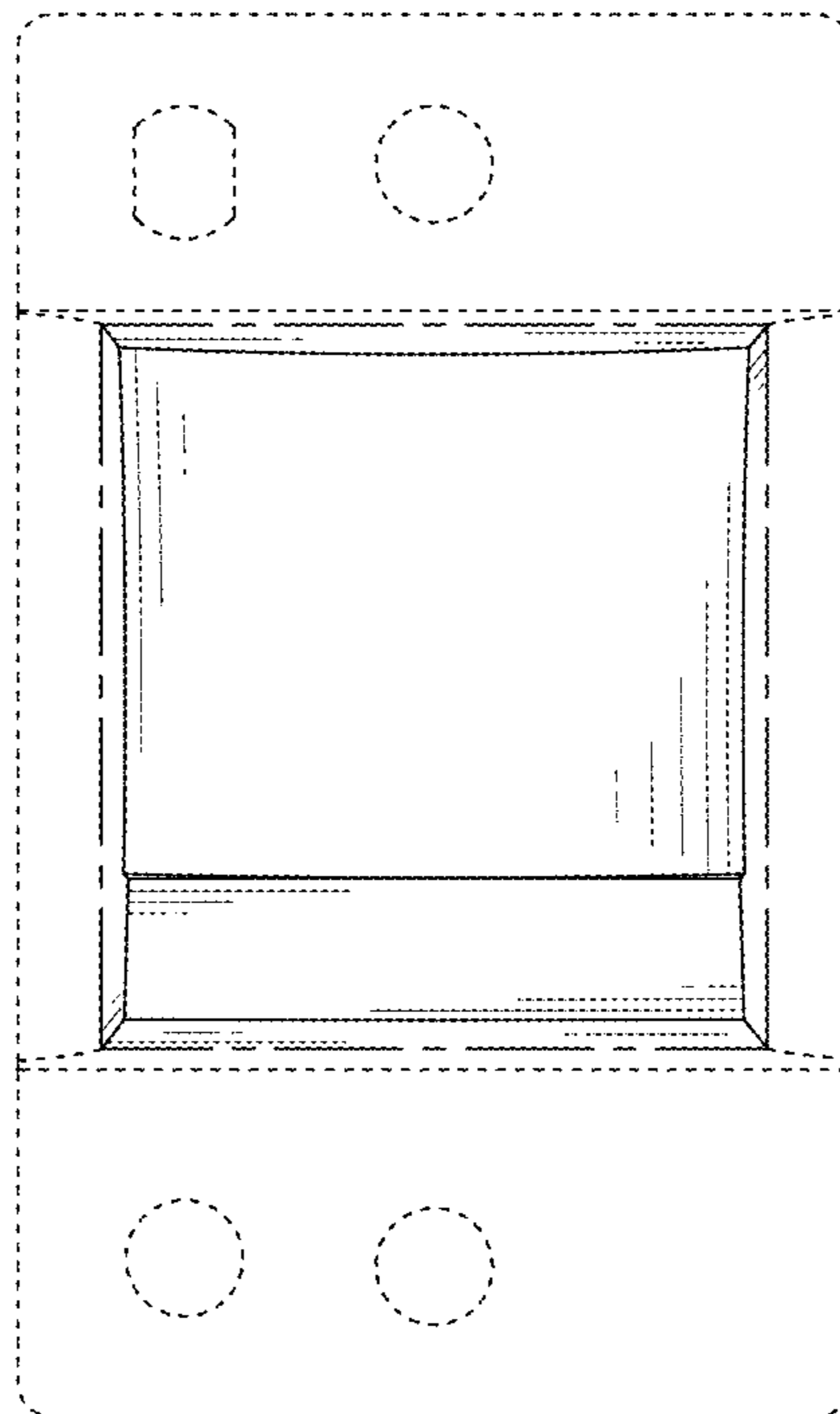


Fig.4

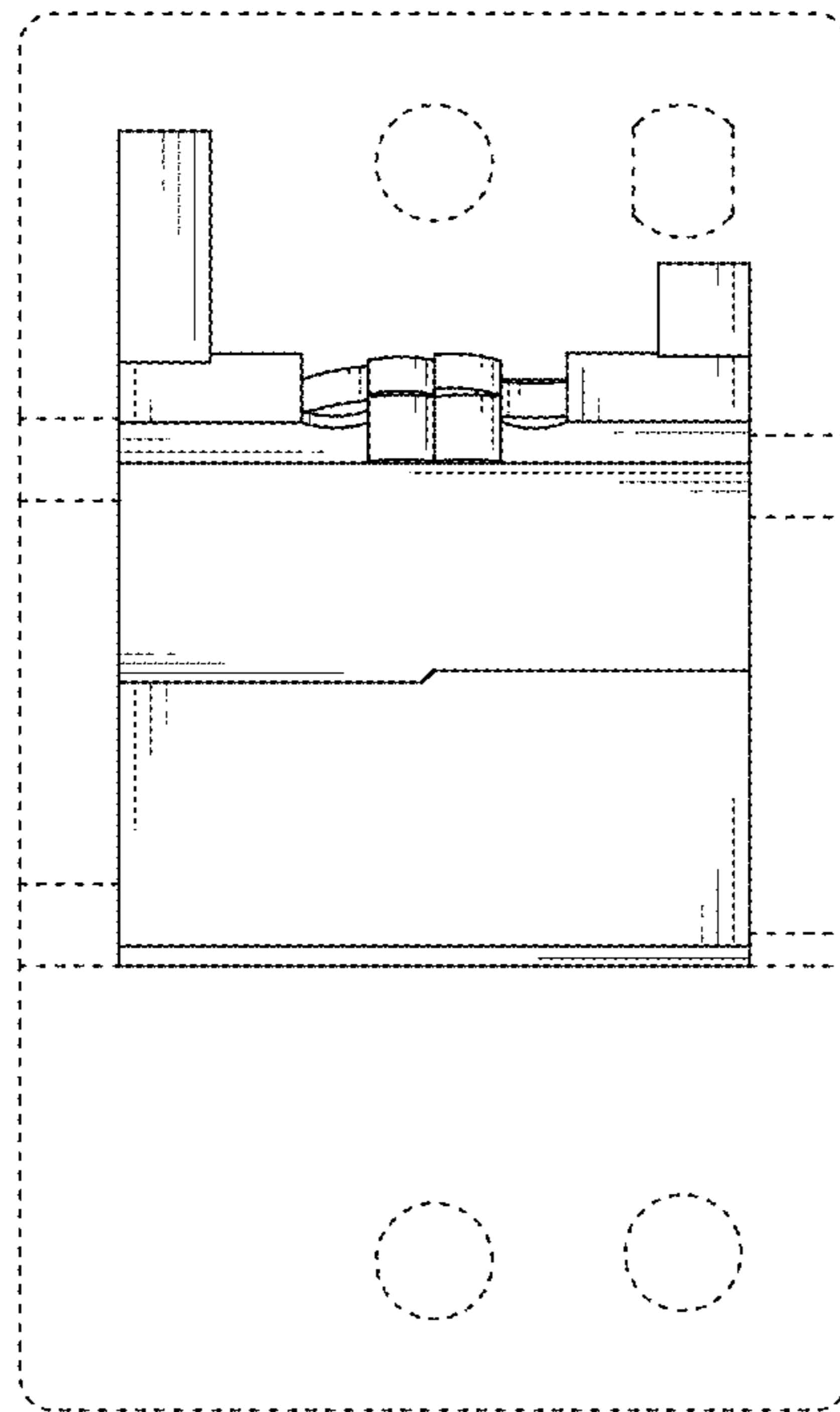


Fig.5

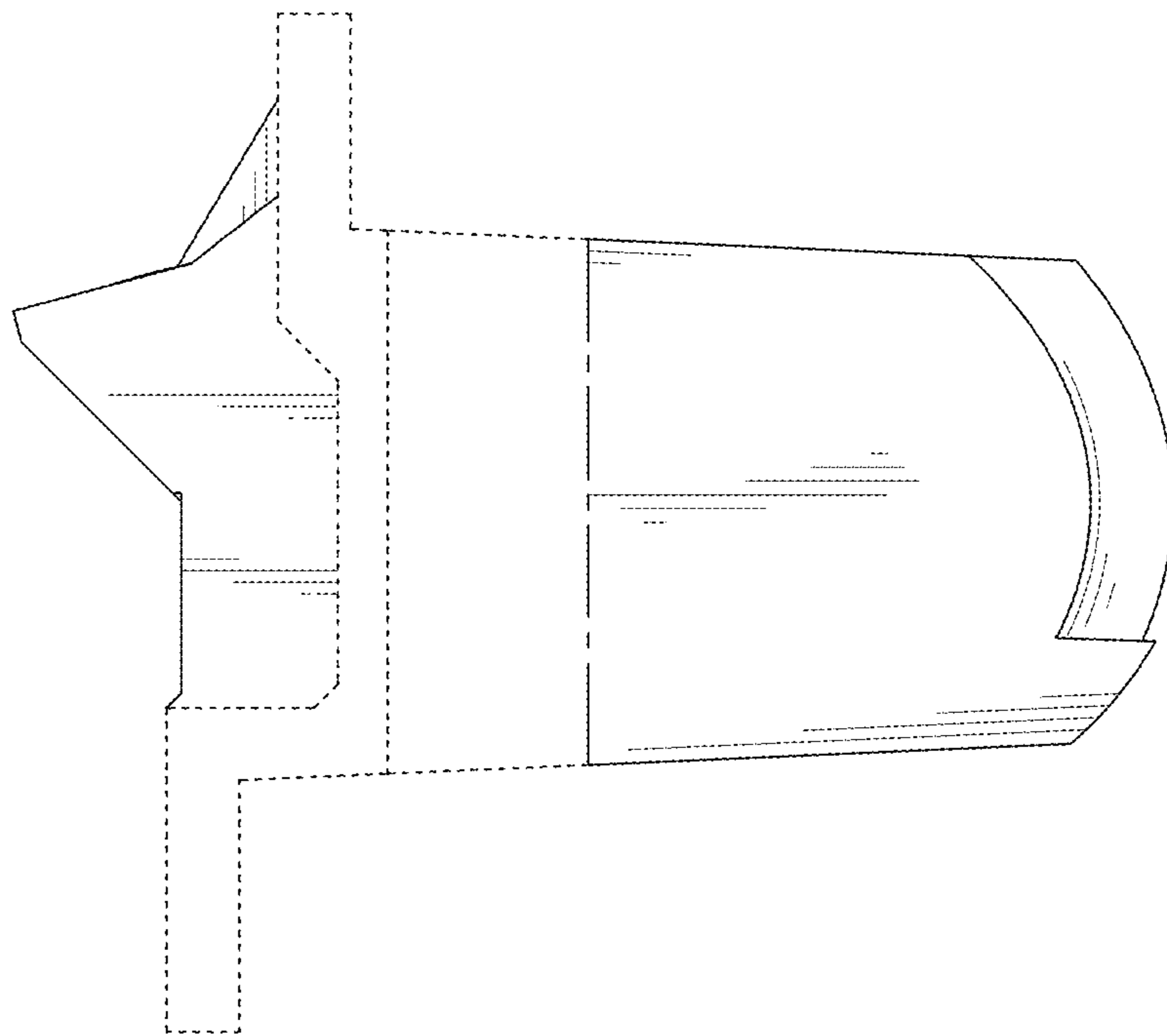


Fig.6

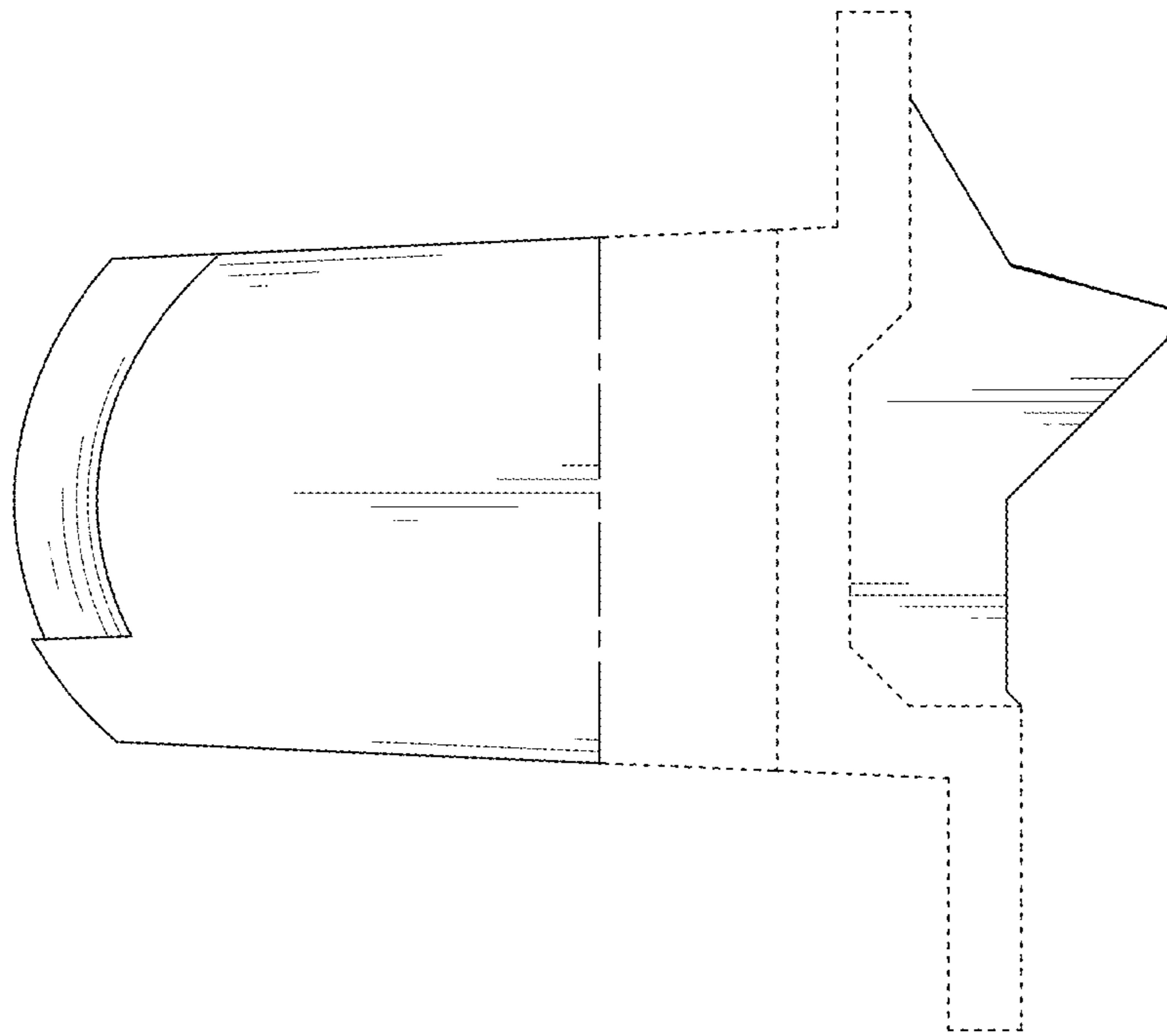




Fig.7

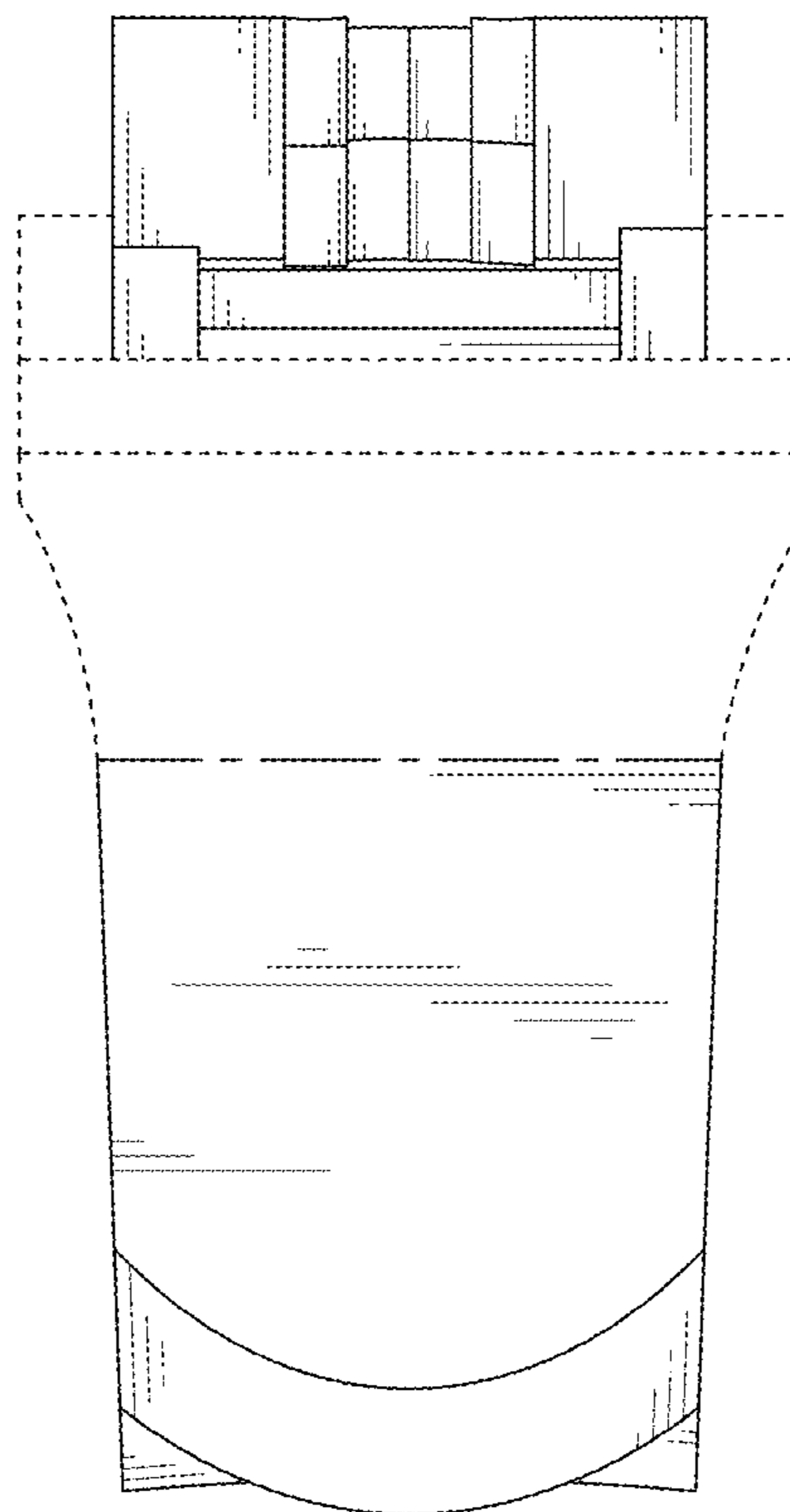


Fig.8

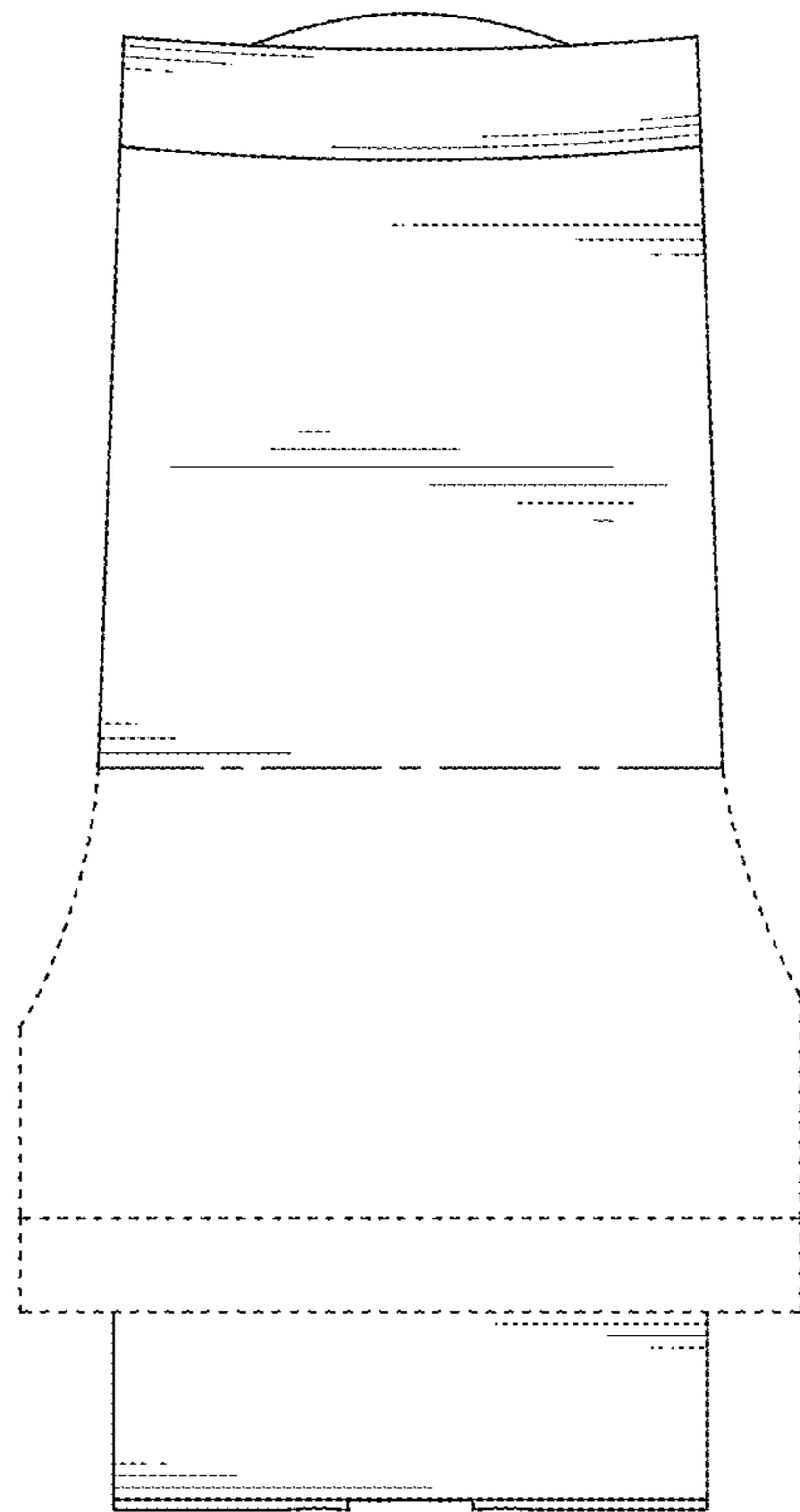


Fig.9

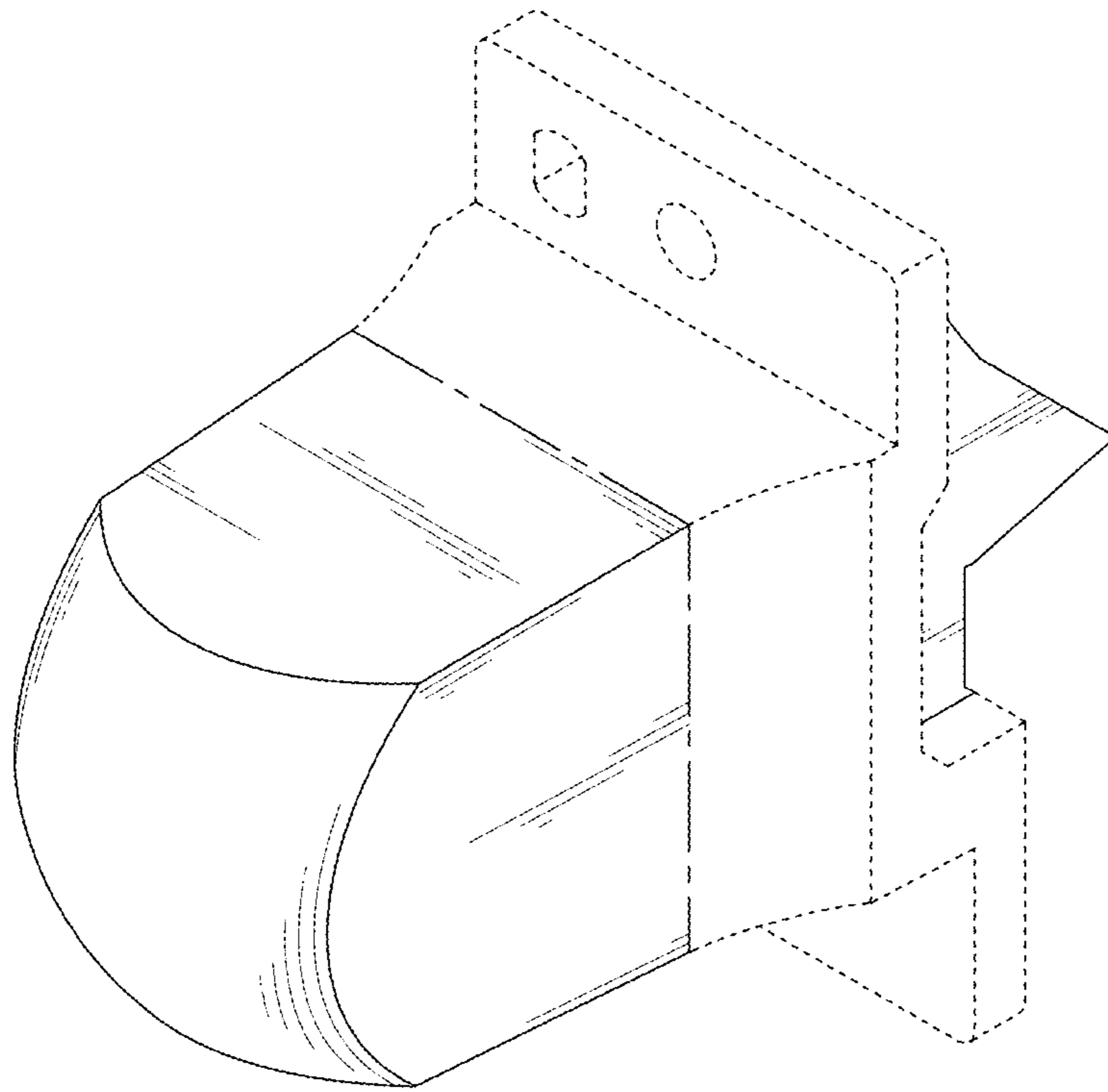


Fig.10

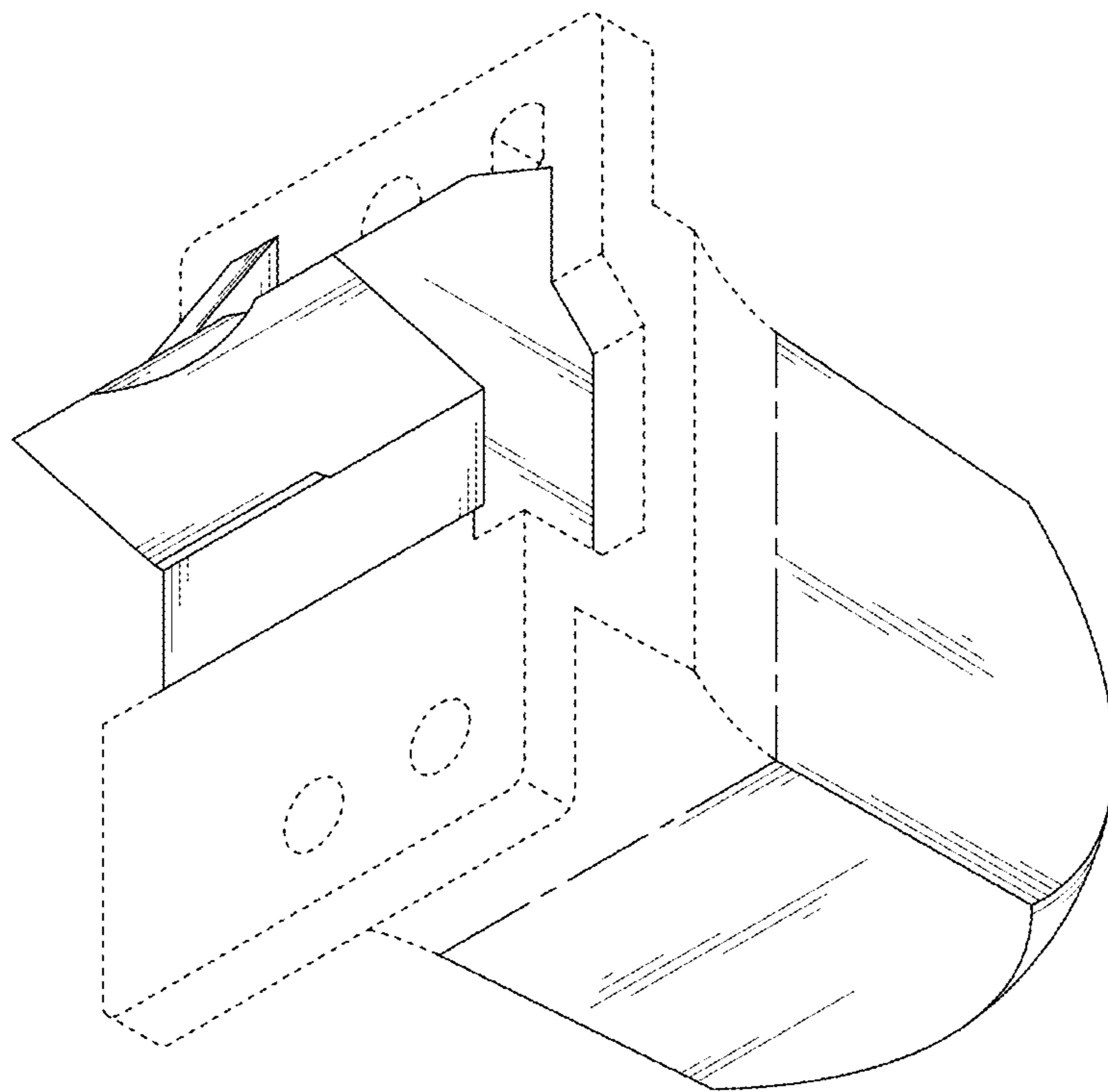


Fig.11

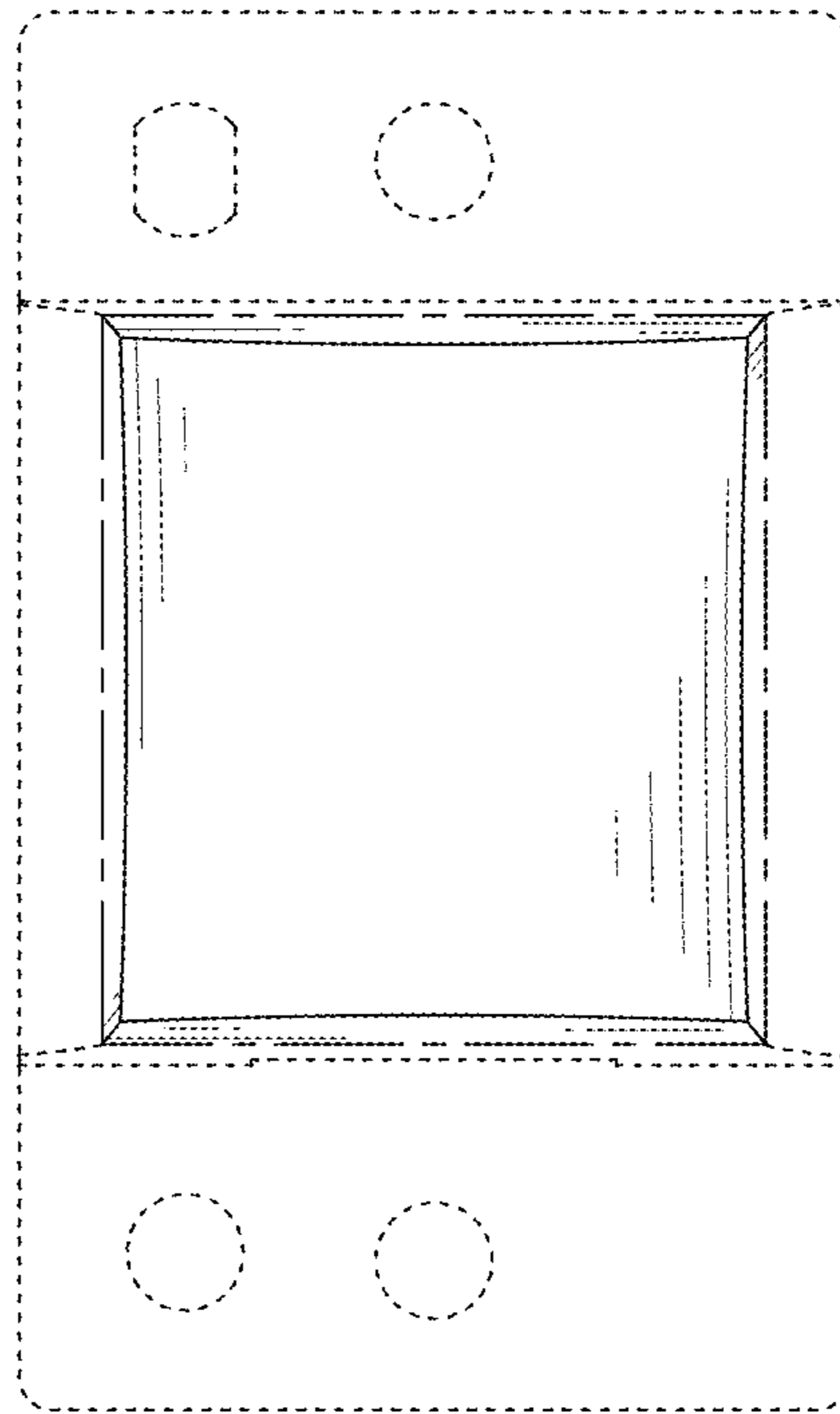


Fig.12

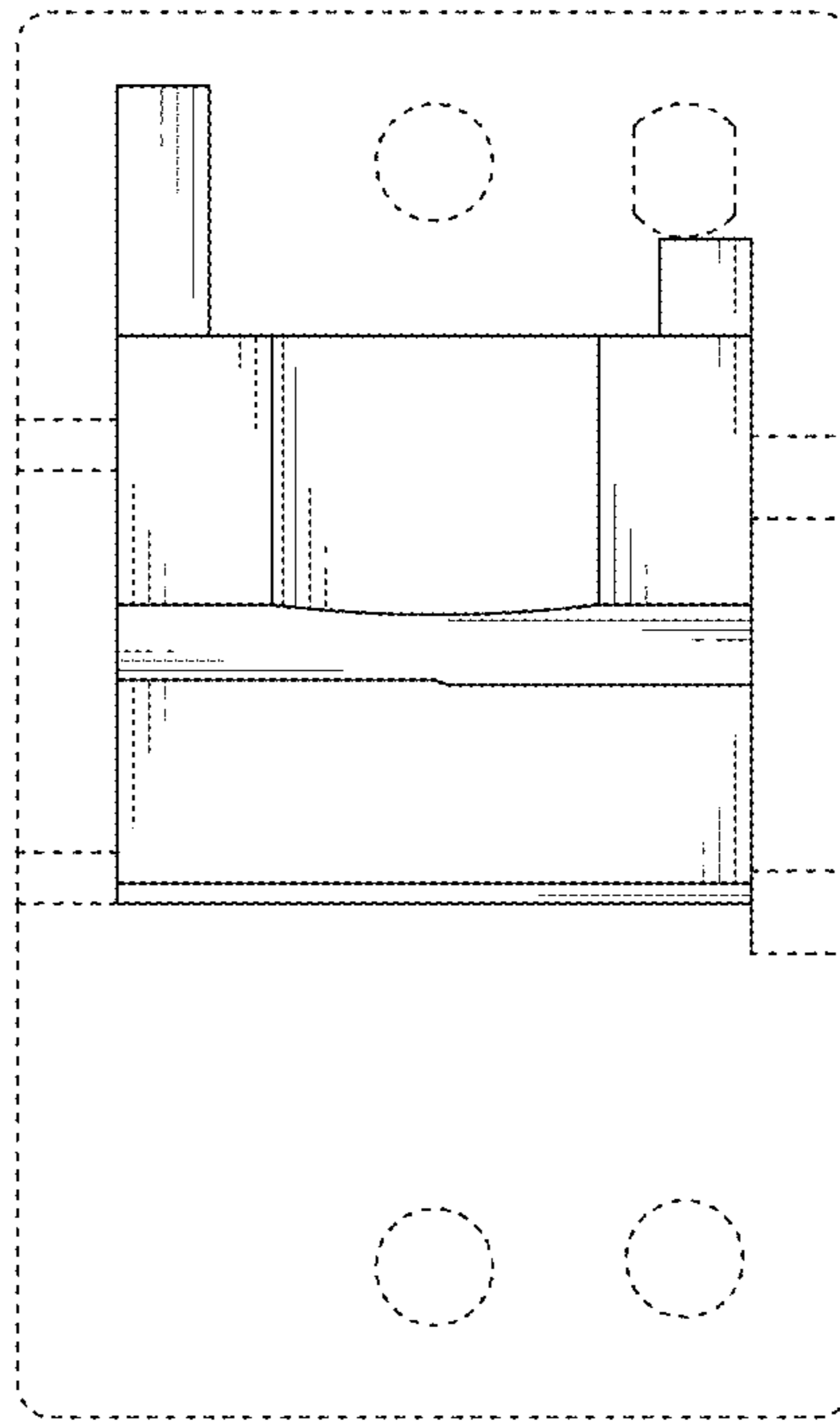


Fig.13

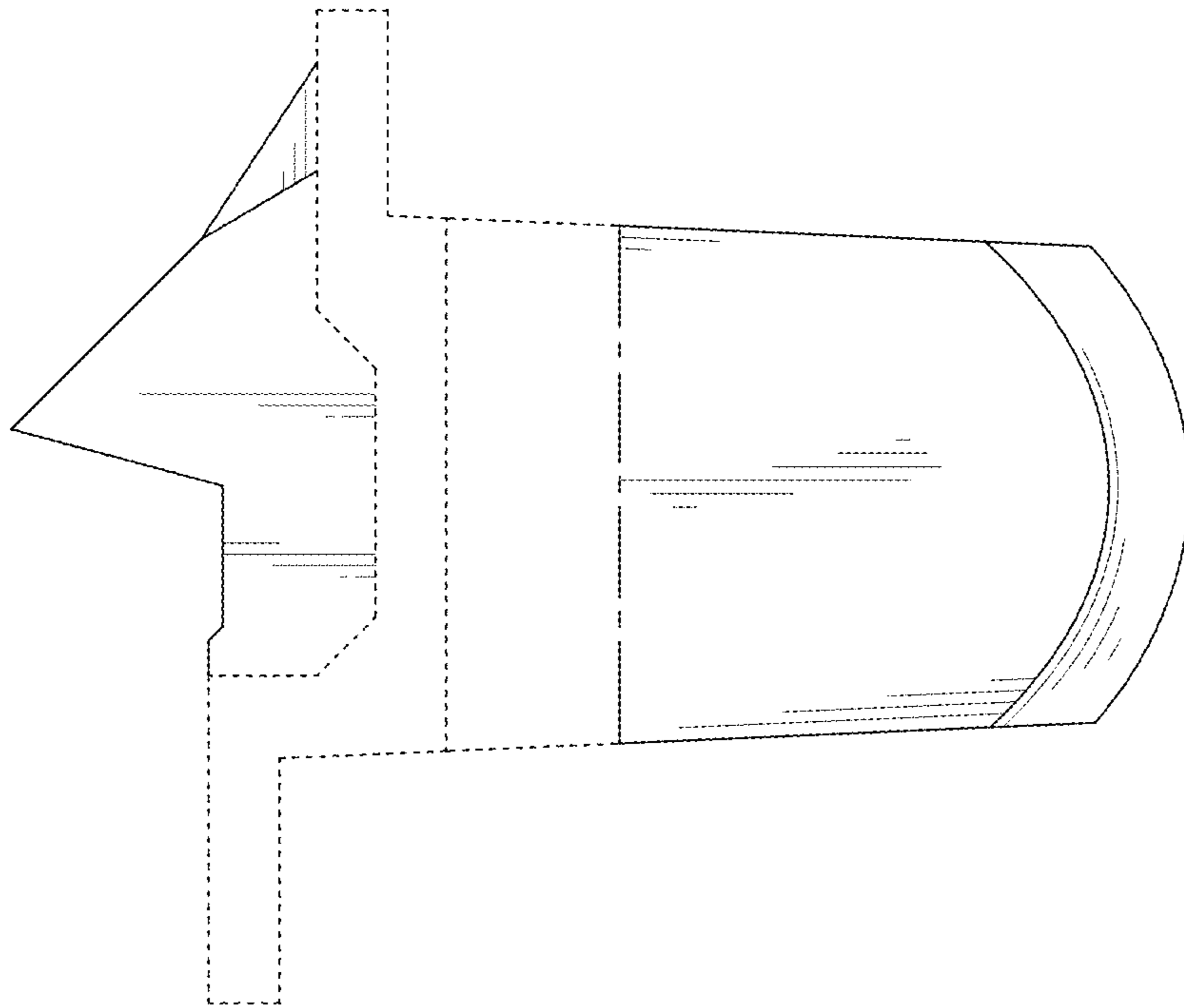


Fig.14

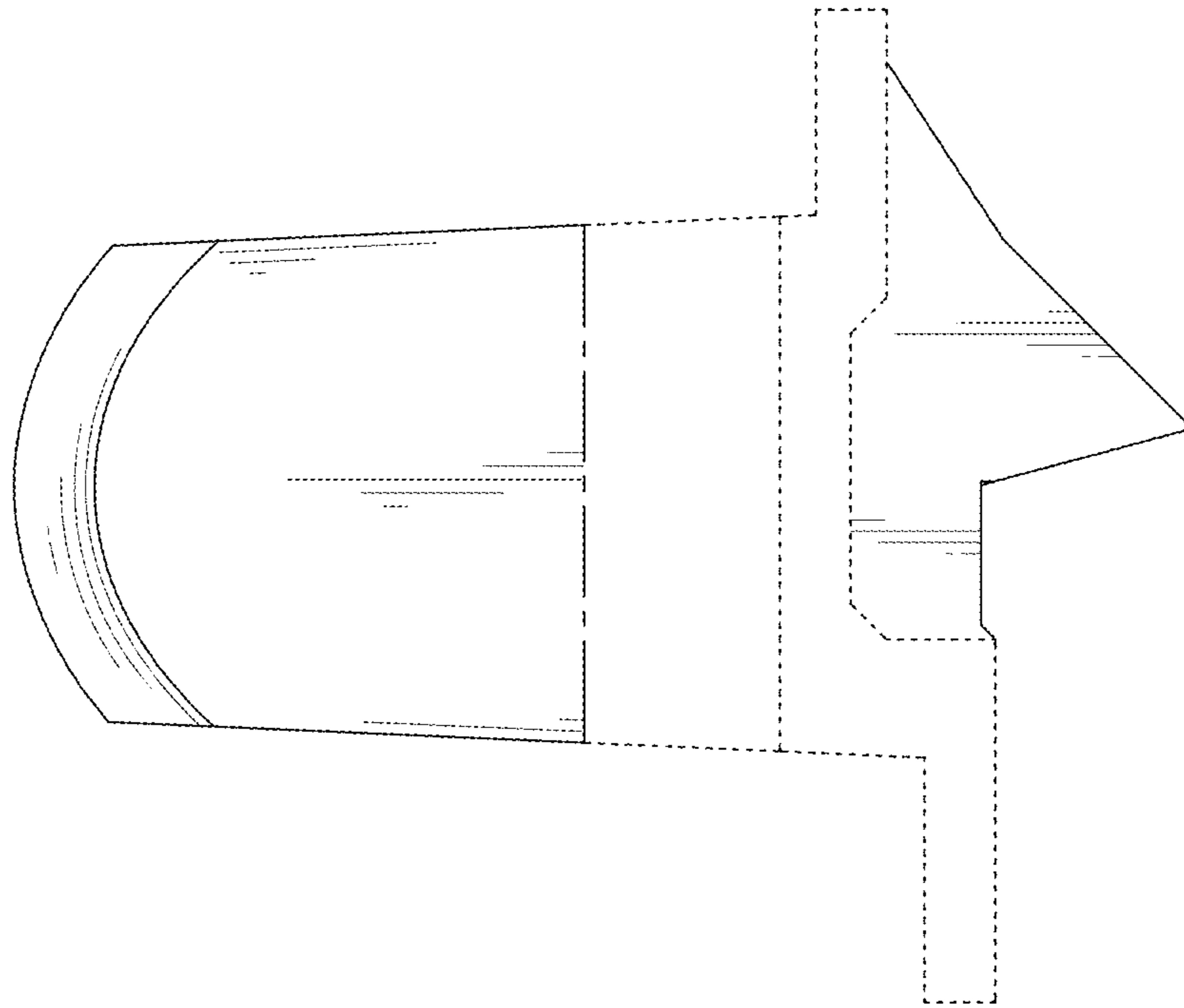




Fig.15

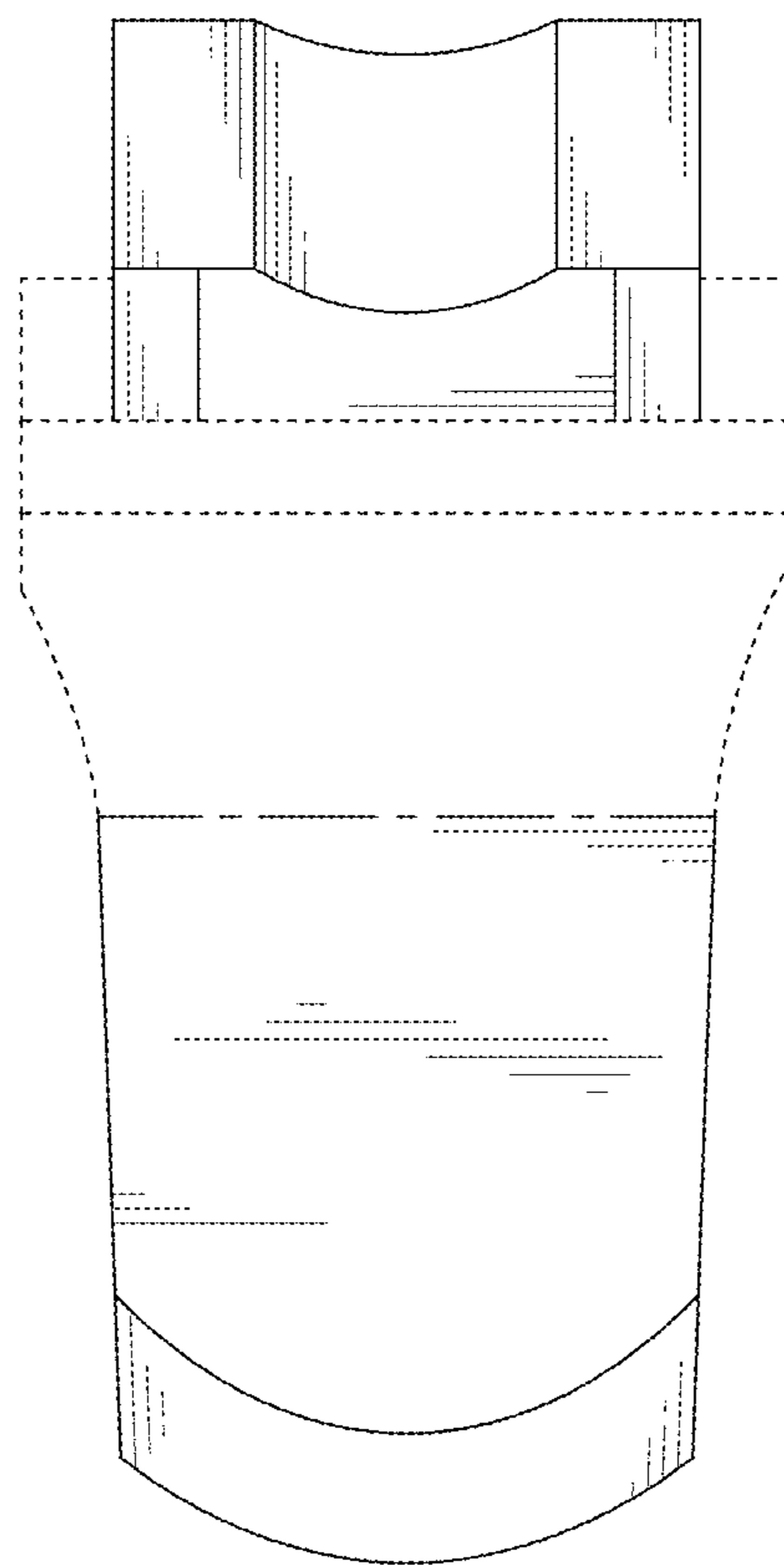


Fig.16

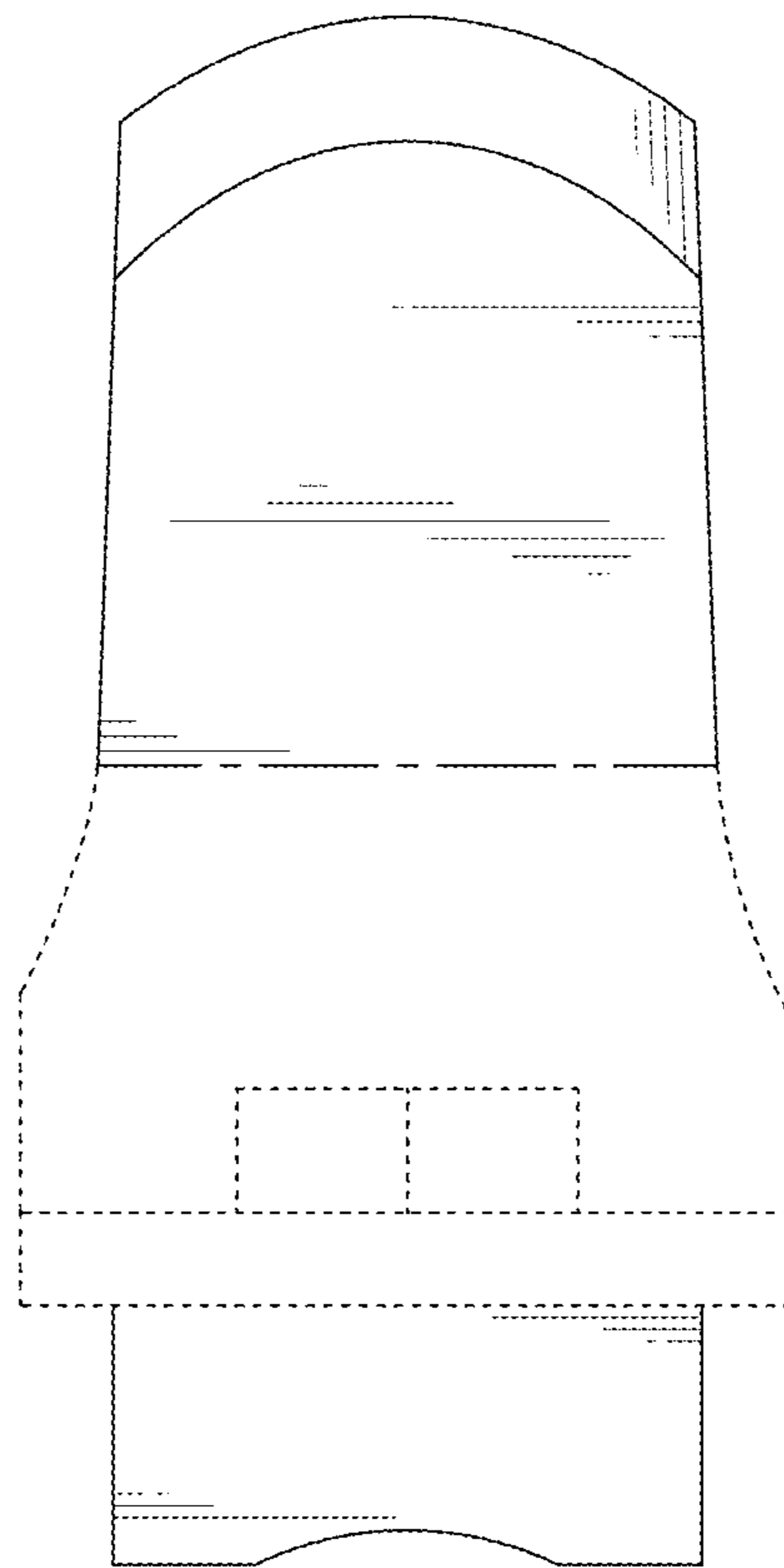


Fig.17

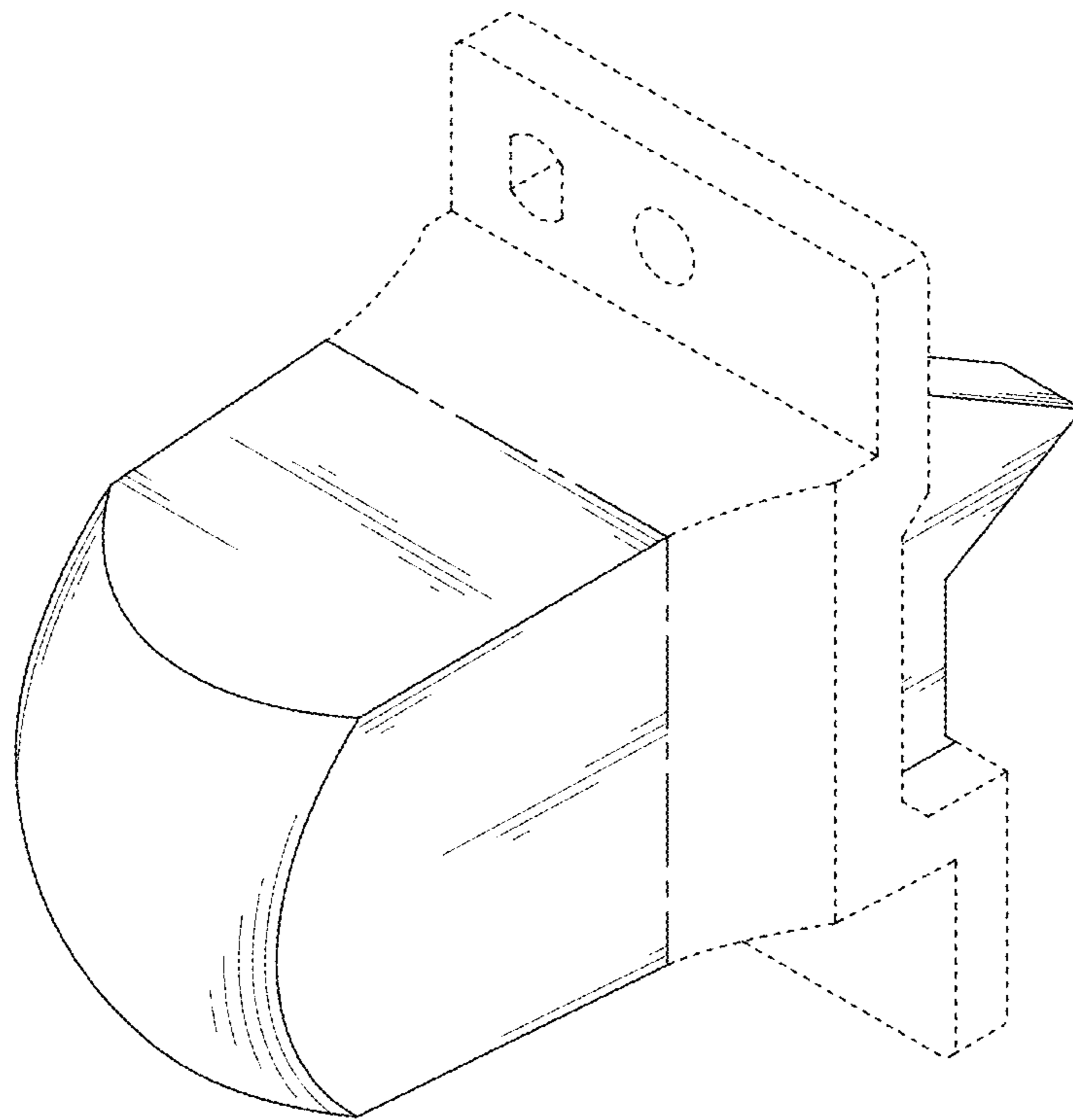


Fig.18

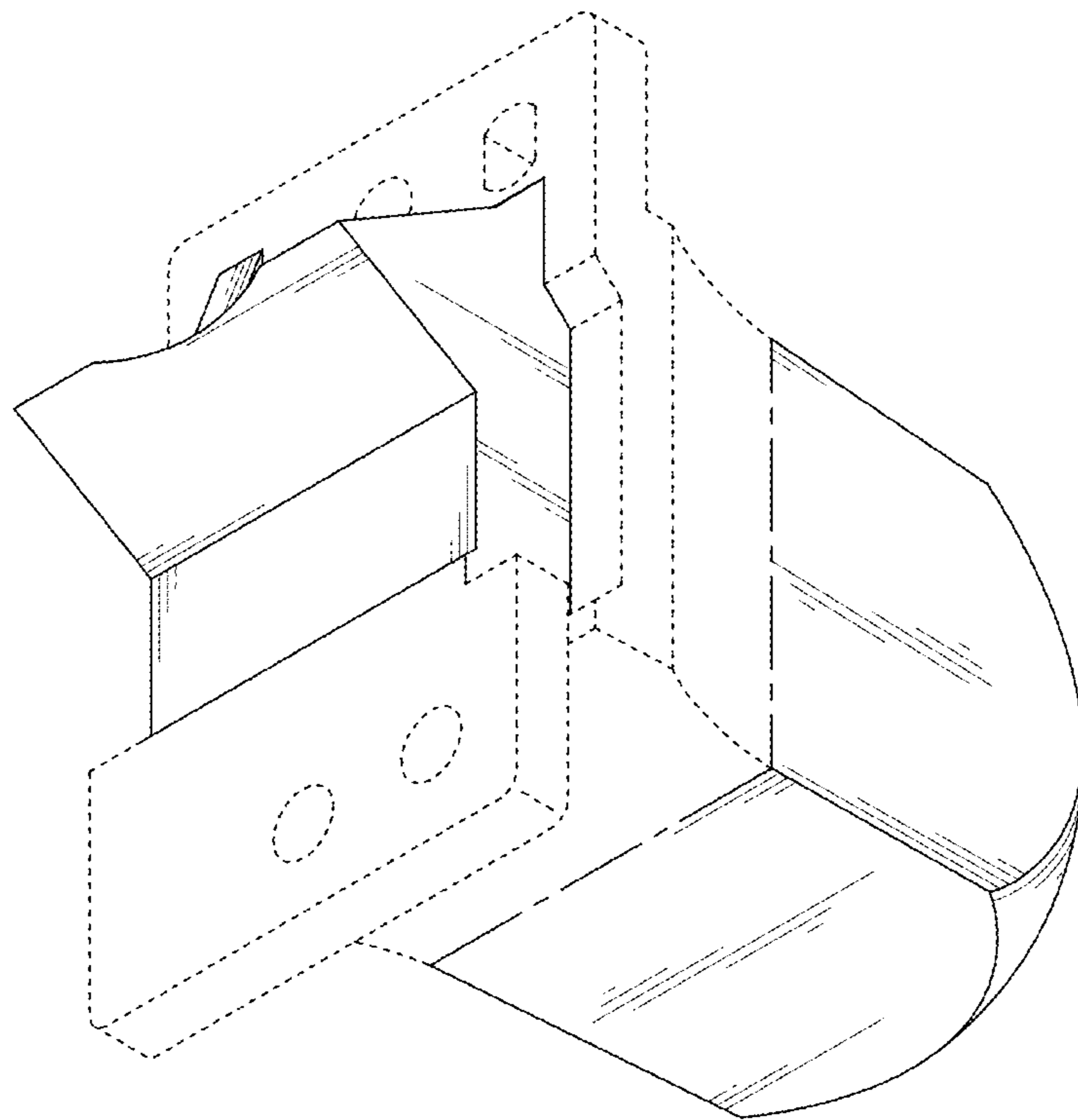


Fig.19

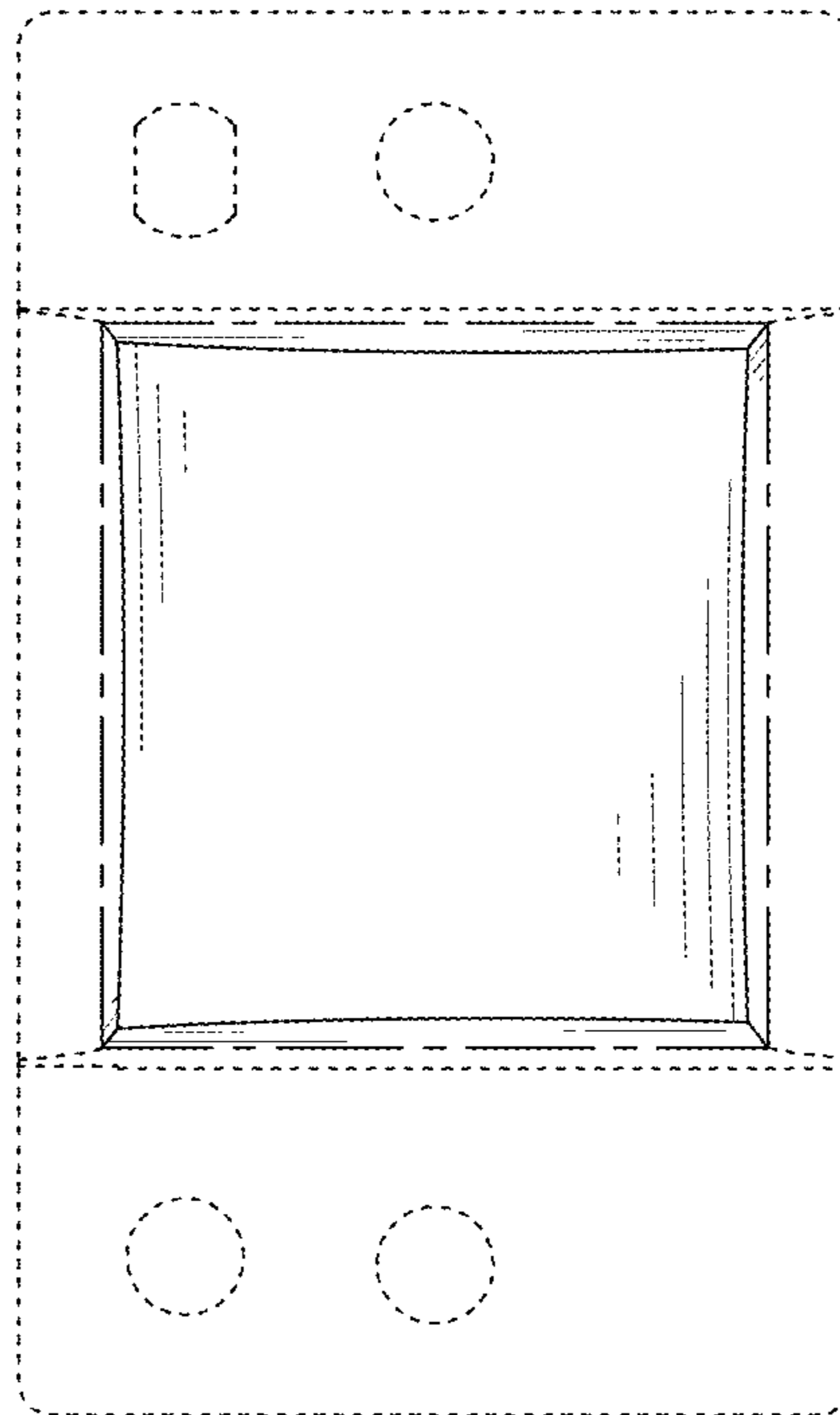


Fig.20

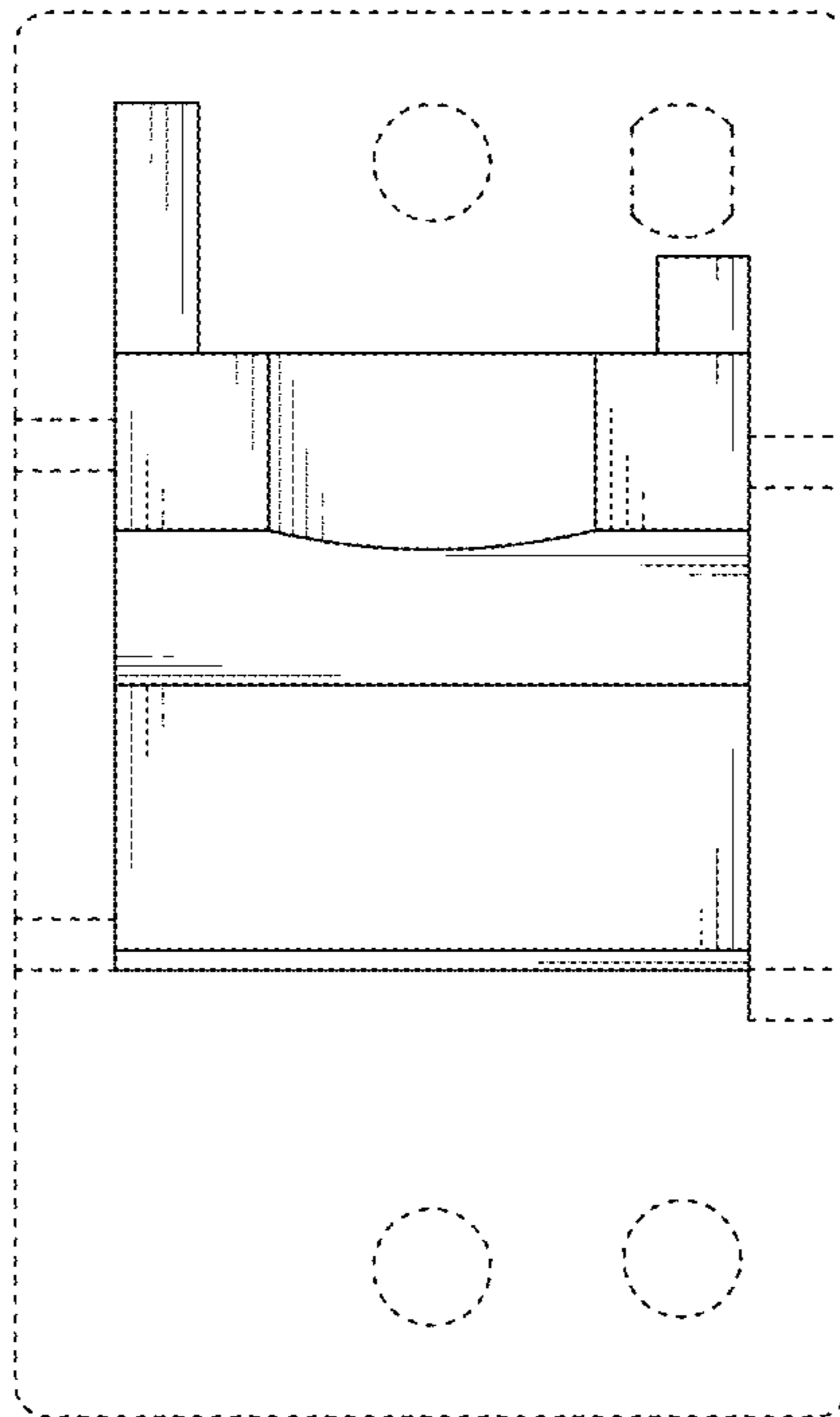


Fig.21

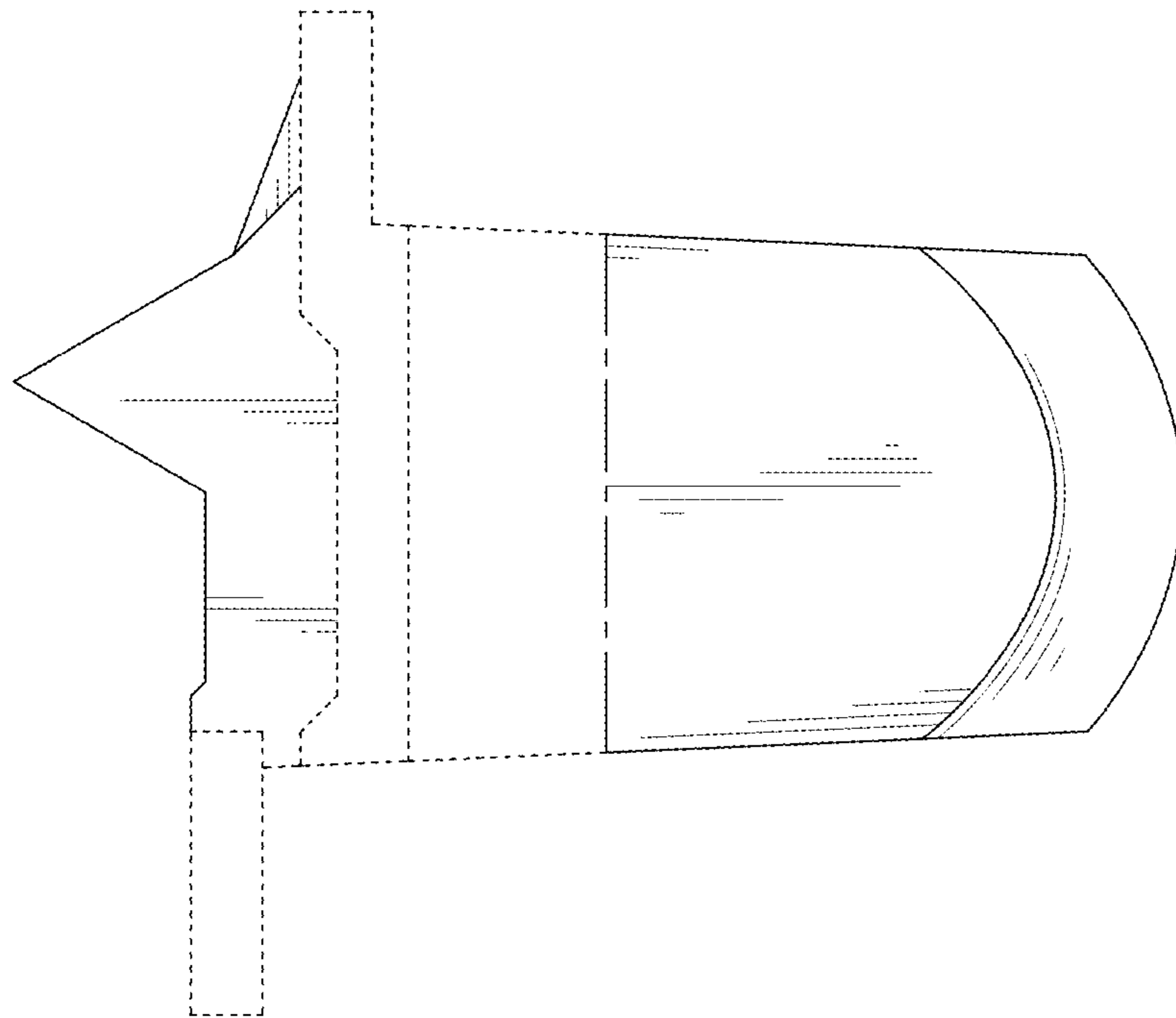


Fig.22

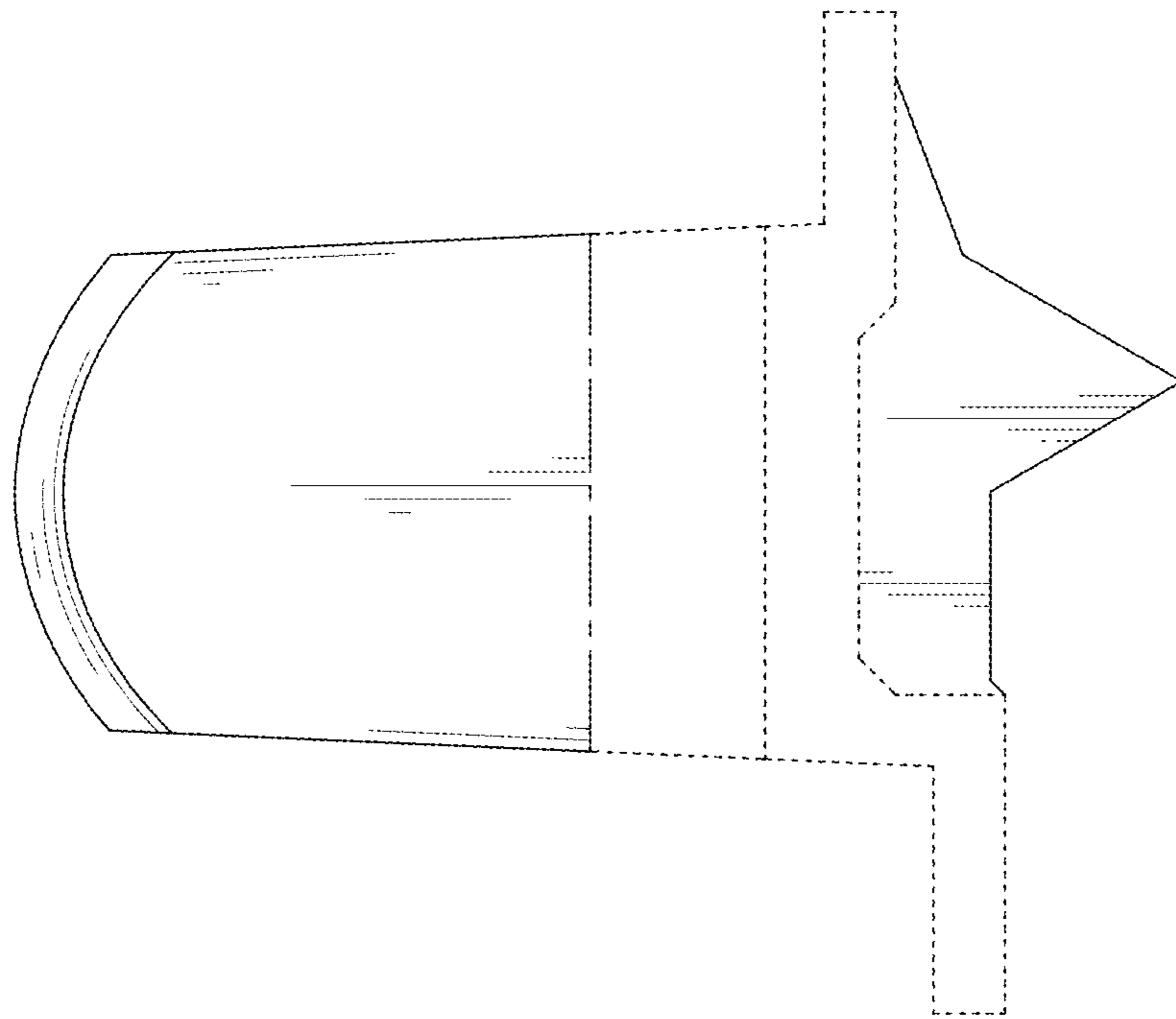




Fig.23

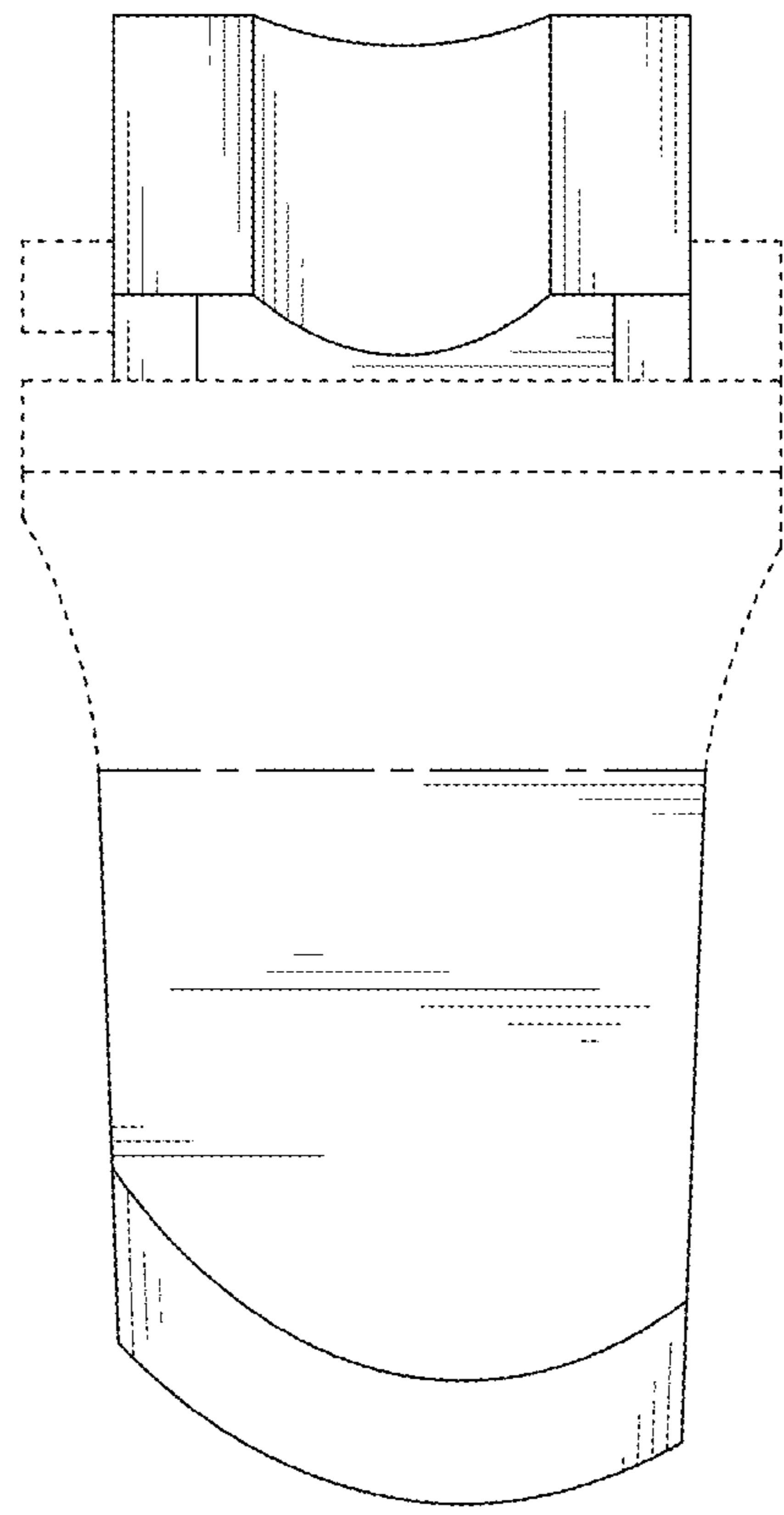


Fig.24

