



US00D796088S

(12) **United States Design Patent** (10) **Patent No.:** **US D796,088 S**
McCabe et al. (45) **Date of Patent:** **** Aug. 29, 2017**

(54) **VEHICLE DAYTIME RUNNING LIGHT**

(71) Applicant: **GM Global Technology Operations LLC**, Detroit, MI (US)

(72) Inventors: **Steven M. McCabe**, Rochester Hills, MI (US); **Maxwell A. Sullivan**, Royal Oak, MI (US)

(73) Assignee: **GM Global Technology Operations LLC**, Detroit, MI (US)

(**) Term: **15 Years**

(21) Appl. No.: **29/551,959**

(22) Filed: **Jan. 19, 2016**

(51) **LOC (10) Cl.** **26-07**

(52) **U.S. Cl.**
USPC **D26/28**

(58) **Field of Classification Search**
USPC D26/28–36; 362/459–468, 475–478, 362/485–487
CPC F21S 48/00; F21S 48/10; F21S 48/115; F21S 48/225; F21S 48/1233; F21S 48/1266; F21S 48/1388; F21S 48/2268; F21V 21/04
See application file for complete search history.

D601,925 S 10/2009 O'Donnell
D603,755 S 11/2009 Peters
D604,203 S 11/2009 O'Donnell
D605,082 S 12/2009 Munson
D605,083 S 12/2009 Manoogian, II et al.
D605,793 S * 12/2009 Weil D26/28
D605,977 S 12/2009 Zipfel et al.
D605,978 S 12/2009 Wolff et al.
D608,249 S 1/2010 Peters
D608,690 S 1/2010 Folden et al.
D608,691 S 1/2010 Zak, Jr. et al.
D609,608 S 2/2010 Boniface et al.
D611,387 S 3/2010 Thompson et al.
D611,879 S 3/2010 Kim et al.
D612,297 S 3/2010 Peters et al.
D613,645 S 4/2010 Song et al.
D615,458 S 5/2010 Thompson et al.
D617,922 S * 6/2010 Miyata D26/28
D618,595 S 6/2010 Ware et al.
D623,090 S 9/2010 Cox et al.
D627,262 S 11/2010 Ikeda et al.
D635,488 S 4/2011 Phipps
D644,147 S 8/2011 Suh et al.
D644,567 S 9/2011 Kozub
D657,718 S 4/2012 Zipfel et al.

(Continued)

Primary Examiner — Angela J Lee
(74) *Attorney, Agent, or Firm* — Reising Ethington P.C.

(57) **CLAIM**
The ornamental design for a vehicle daytime running light, as shown and described.

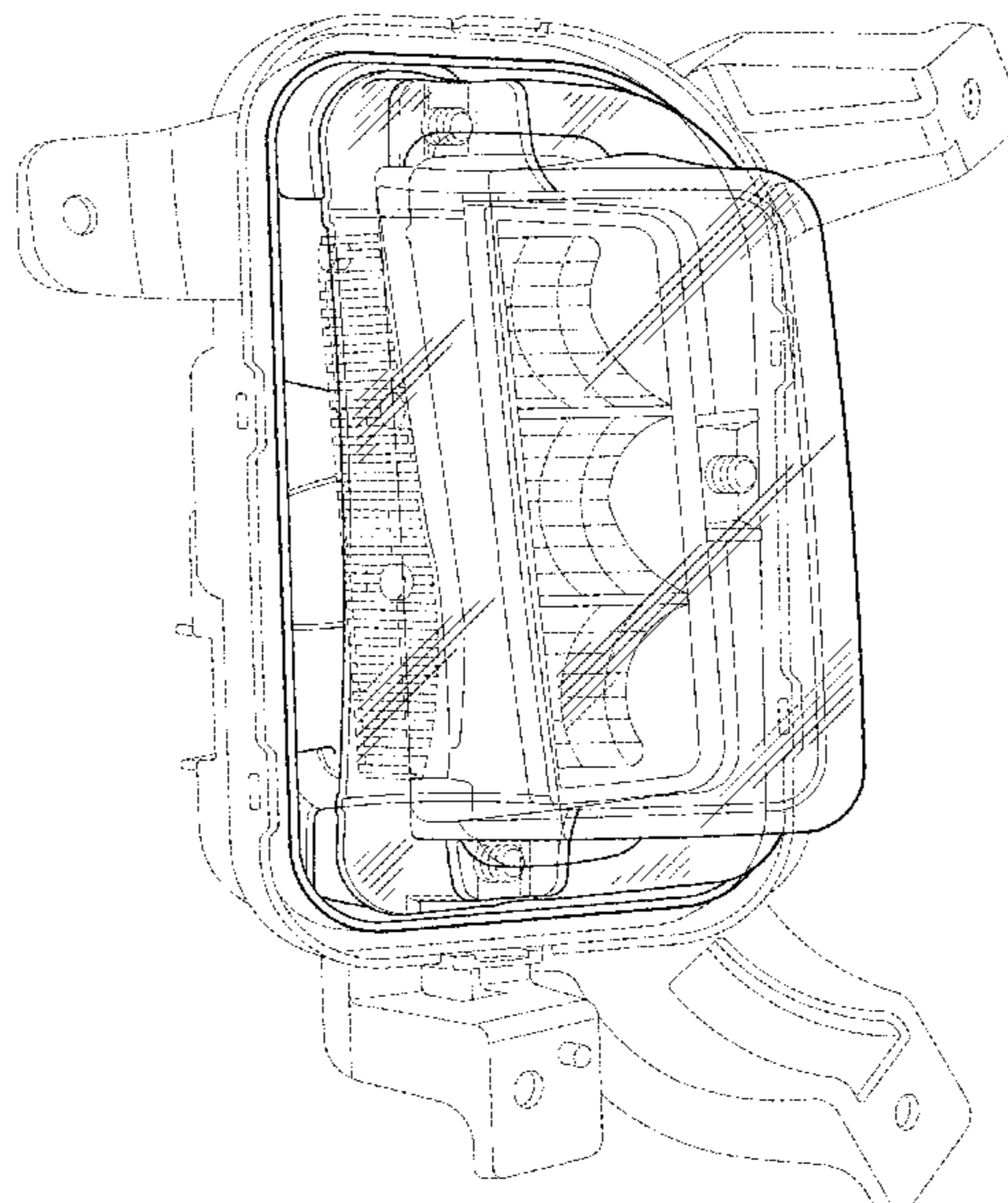
(56) **References Cited**
U.S. PATENT DOCUMENTS

D510,634 S * 10/2005 Platto D26/28
D517,706 S * 3/2006 Itaya D26/28
D570,742 S 6/2008 Takagi et al.
D571,029 S * 6/2008 Beigel D26/28
D573,274 S * 7/2008 Suzuki D26/28
D592,105 S 5/2009 Dean et al.
D597,447 S 8/2009 Folden
D600,595 S 9/2009 Nakamura et al.
D601,283 S * 9/2009 Kumai D26/28

DESCRIPTION

FIG. 1 is a perspective view of the vehicle daytime running light;
FIG. 2 is a front view thereof;
FIG. 3 is a side view thereof; and,
FIG. 4 is a top view thereof.
In the drawings, the portions shown by broken lines form no part of the claimed design.

1 Claim, 4 Drawing Sheets



(56)

References Cited

U.S. PATENT DOCUMENTS

D659,052 S 5/2012 Ware et al.
 D659,053 S 5/2012 Ware et al.
 D668,182 S 10/2012 Barba Franco et al.
 D668,183 S 10/2012 Smart
 D674,520 S * 1/2013 Bieling D26/28
 D678,820 S 3/2013 Son et al.
 D678,821 S 3/2013 Ikeda et al.
 D680,671 S * 4/2013 Tani D26/28
 D680,909 S 4/2013 Munson et al.
 D680,910 S 4/2013 David
 D684,899 S 6/2013 Baker
 D686,536 S 7/2013 McCabe et al.
 D692,798 S 11/2013 Thurber
 D692,799 S 11/2013 Smith et al.
 D696,157 S 12/2013 Loeb
 D699,629 S 2/2014 Ikeda et al.
 D700,871 S 3/2014 O'Donnell et al.
 D703,103 S 4/2014 Lee
 D704,103 S 5/2014 Mack et al.
 D705,132 S 5/2014 Ware et al.
 D705,699 S 5/2014 Ware et al.
 D713,298 S 9/2014 Dyson
 D713,764 S 9/2014 Ferlazzo et al.
 D716,696 S 11/2014 Thole et al.
 D716,706 S 11/2014 Thole et al.
 D716,709 S 11/2014 Thole et al.
 D717,696 S 11/2014 Thole et al.
 D718,189 S 11/2014 Krieg et al.
 D718,683 S 12/2014 Thole et al.
 D722,282 S 2/2015 Loeb
 D722,533 S 2/2015 Thole et al.
 D722,534 S 2/2015 Munson et al.
 D724,510 S 3/2015 McMahan et al.
 D725,001 S 3/2015 McMahan et al.
 D726,591 S 4/2015 Jacob

D730,776 S 6/2015 Smart
 D730,783 S 6/2015 Henriques et al.
 D732,427 S 6/2015 Loeb
 D732,429 S 6/2015 Loeb
 D732,430 S 6/2015 Loeb
 D732,431 S 6/2015 Loeb
 D732,432 S 6/2015 Aengenheyster
 D732,433 S 6/2015 Aengenheyster
 D732,435 S 6/2015 Mackay
 D733,002 S 6/2015 Loeb
 D735,611 S 8/2015 Aengenheyster
 D735,627 S 8/2015 Smith
 D736,451 S 8/2015 Smith
 D739,306 S 9/2015 McMahan et al.
 D739,317 S 9/2015 McMahan et al.
 D741,223 S 10/2015 Kim et al.
 D743,309 S 11/2015 Thole et al.
 D743,313 S 11/2015 Smith et al.
 D743,314 S 11/2015 Thole et al.
 D743,857 S 11/2015 McMahan et al.
 D744,158 S 11/2015 Willett et al.
 D745,086 S 12/2015 Finos et al.
 D745,719 S 12/2015 Boniface et al.
 D745,725 S 12/2015 McMahan et al.
 D745,726 S 12/2015 McMahan et al.
 D745,837 S 12/2015 Smith et al.
 D746,726 S 1/2016 Smith et al.
 D746,727 S 1/2016 Smith et al.
 D746,728 S 1/2016 Smith et al.
 D746,729 S 1/2016 Boniface et al.
 D746,730 S 1/2016 Kim et al.
 D747,514 S 1/2016 McMahan et al.
 D747,515 S 1/2016 McMahan et al.
 D747,819 S 1/2016 Thole et al.
 D761,978 S * 7/2016 Lai D26/28
 D765,285 S * 8/2016 Lai D26/28
 D771,287 S * 11/2016 Ingenlath D26/28

* cited by examiner

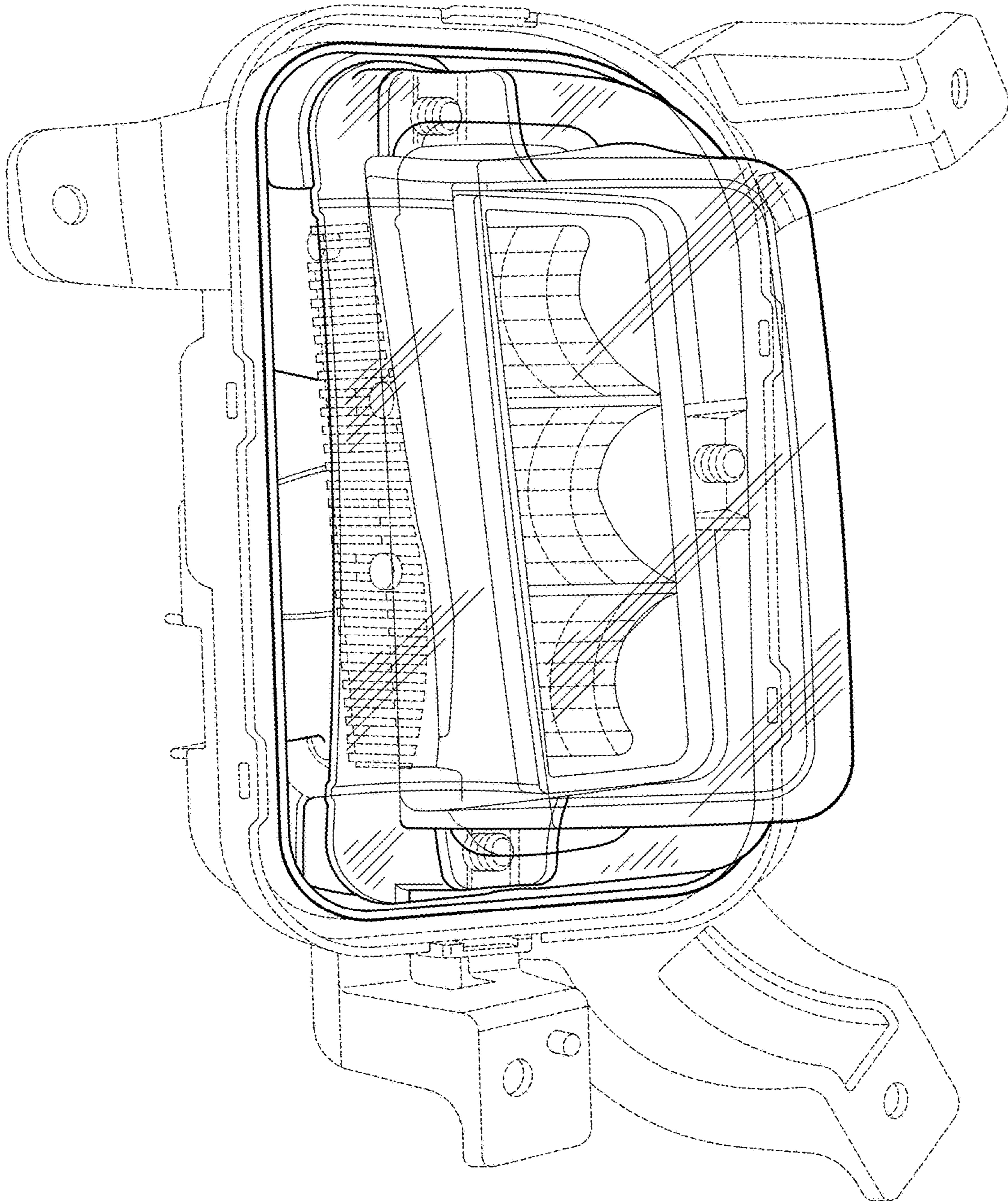


FIG. 1

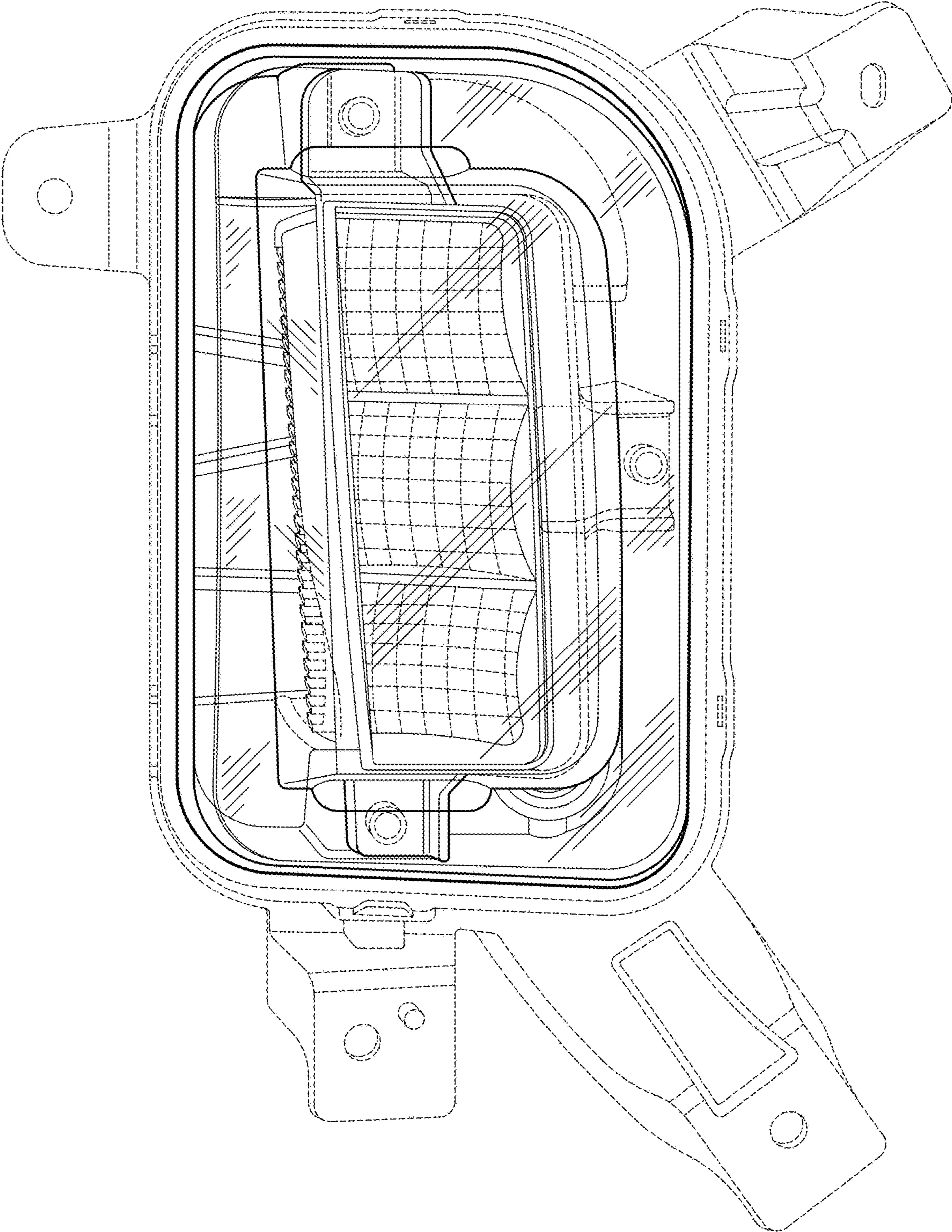


FIG. 2

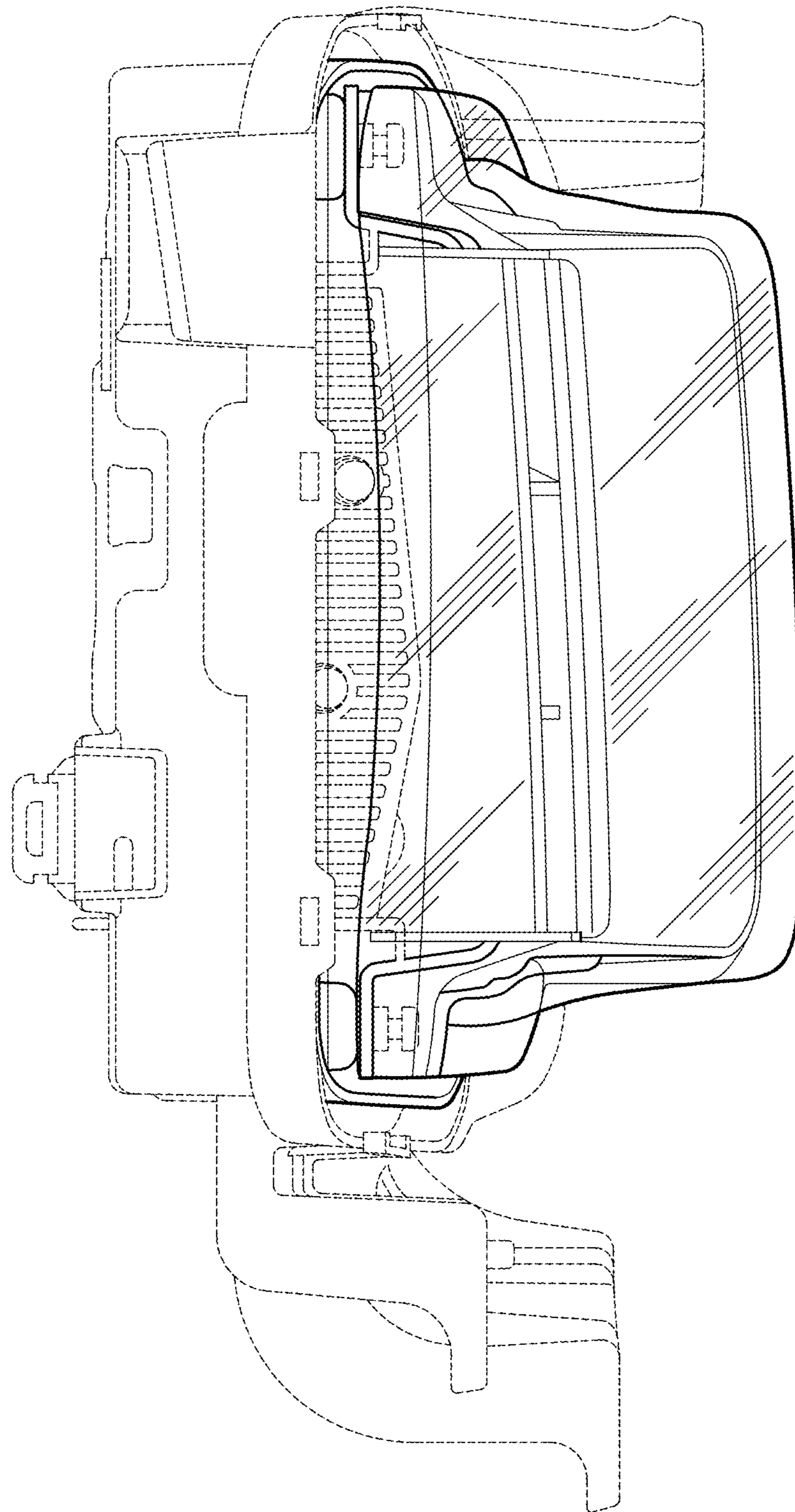


FIG. 3

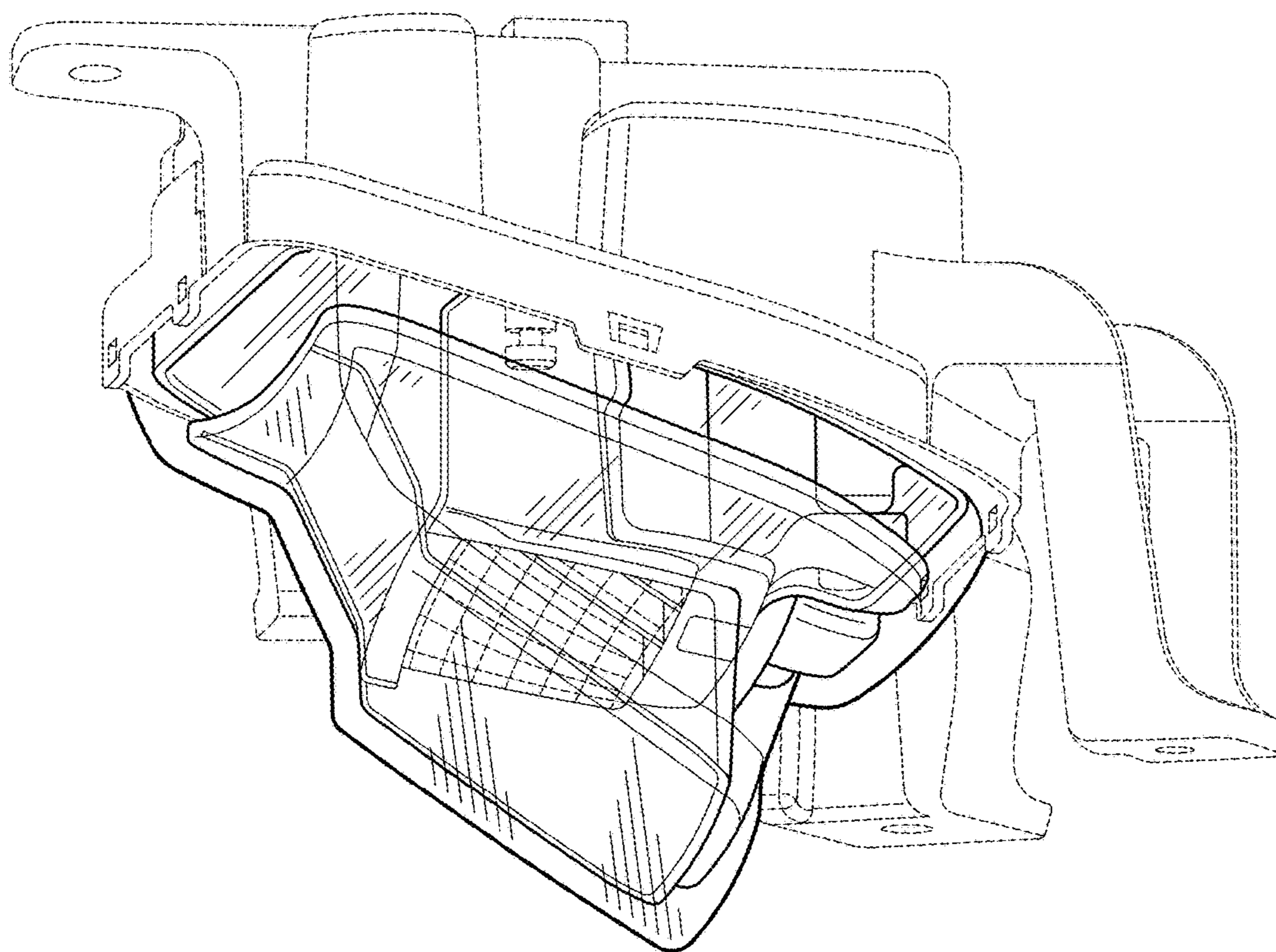


FIG. 4