

US00D796087S

(12) **United States Design Patent**  
**Futamata et al.**

(10) **Patent No.:** **US D796,087 S**

(45) **Date of Patent:** **\*\* Aug. 29, 2017**

(54) **HEADLIGHT FOR MOTORCYCLES**

(71) Applicant: **HONDA MOTOR CO., LTD.**, Tokyo  
(JP)

(72) Inventors: **Takeshi Futamata**, Wako (JP); **Takashi Takizawa**, Wako (JP)

(73) Assignee: **HONDA MOTOR CO., LTD.**, Tokyo  
(JP)

(\*\*) Term: **15 Years**

(21) Appl. No.: **29/550,847**

(22) Filed: **Jan. 7, 2016**

(30) **Foreign Application Priority Data**

Jul. 8, 2015 (JP) ..... 2015-015243

(51) **LOC (10) Cl.** ..... **26-07**

(52) **U.S. Cl.**  
USPC ..... **D26/28**

(58) **Field of Classification Search**

USPC ..... D26/28-36; 362/459-468, 475-478,  
362/485-487

CPC ..... F21S 48/00; F21S 48/10; F21S 48/115;  
F21S 48/225; F21S 48/1233; F21S  
48/1266; F21S 48/1388; F21S 48/2268;  
F21V 21/04

See application file for complete search history.

(56) **References Cited**

**U.S. PATENT DOCUMENTS**

D493,903 S \* 8/2004 Otsubo ..... D26/28  
D580,076 S \* 11/2008 Ichihara ..... D26/28

D596,767 S \* 7/2009 Idei ..... D26/28  
D617,020 S \* 6/2010 Ishiguri ..... D26/28  
D638,151 S \* 5/2011 Hung ..... D26/28  
D713,072 S \* 9/2014 Phutrakool ..... D26/28  
D713,573 S \* 9/2014 Futamata ..... D26/28  
D721,194 S \* 1/2015 Ito ..... D26/28  
D732,214 S \* 6/2015 Ishiguri ..... D26/28  
D741,524 S \* 10/2015 Ohashi ..... D26/28  
D742,566 S \* 11/2015 Kuriki ..... D26/28  
D752,251 S \* 3/2016 Tsukui ..... D26/28  
D780,354 S \* 2/2017 Futamata ..... D26/28

\* cited by examiner

*Primary Examiner* — Angela J Lee

(74) *Attorney, Agent, or Firm* — Westerman, Hattori,  
Daniels & Adrian, LLP

(57) **CLAIM**

The ornamental design for a headlight for motorcycles, as shown and described.

**DESCRIPTION**

FIG. 1 is a front view of a headlight for motorcycles;  
FIG. 2 is a plan view of the headlight for motorcycles;  
FIG. 3 is a right side view of the headlight for motorcycles;  
FIG. 4 is a left side view of the headlight for motorcycles;  
FIG. 5 is a front perspective view of the headlight for motorcycles as seen from right upper side; and,  
FIG. 6 is a front perspective view of the headlight for motorcycles as seen from left upper side.

The broken lines form no part of the claimed design.

**1 Claim, 3 Drawing Sheets**

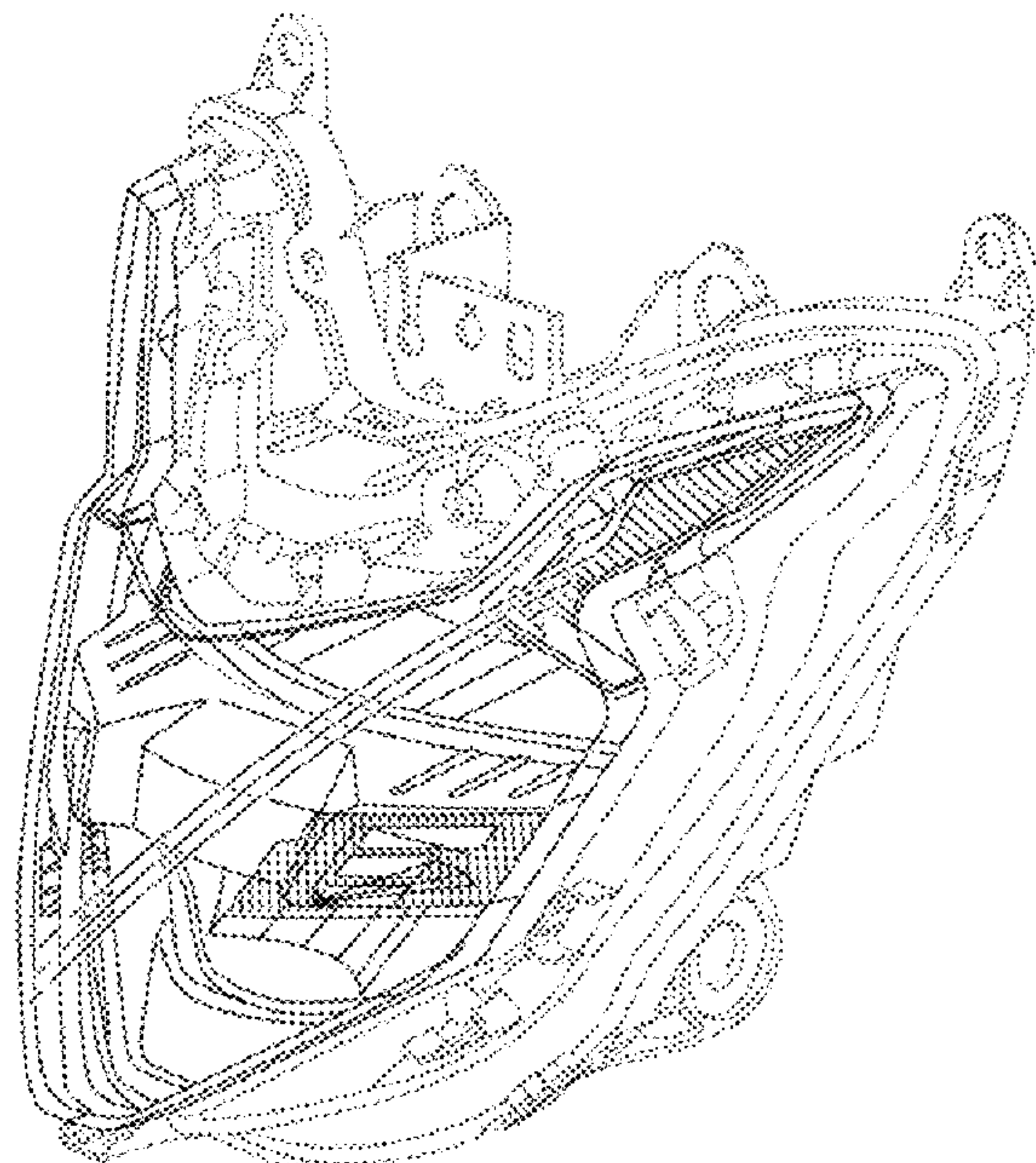


FIG.1

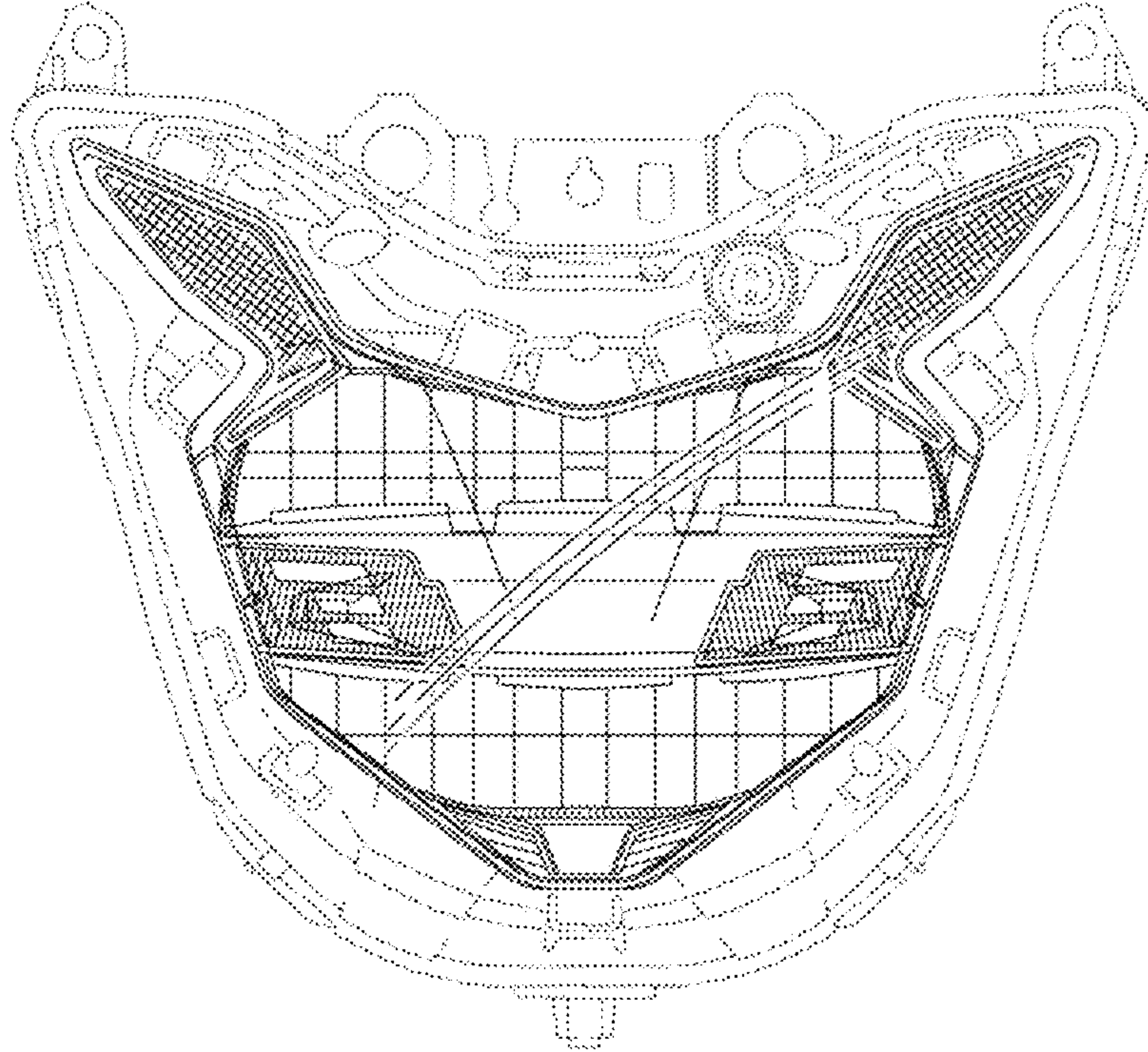


FIG.2

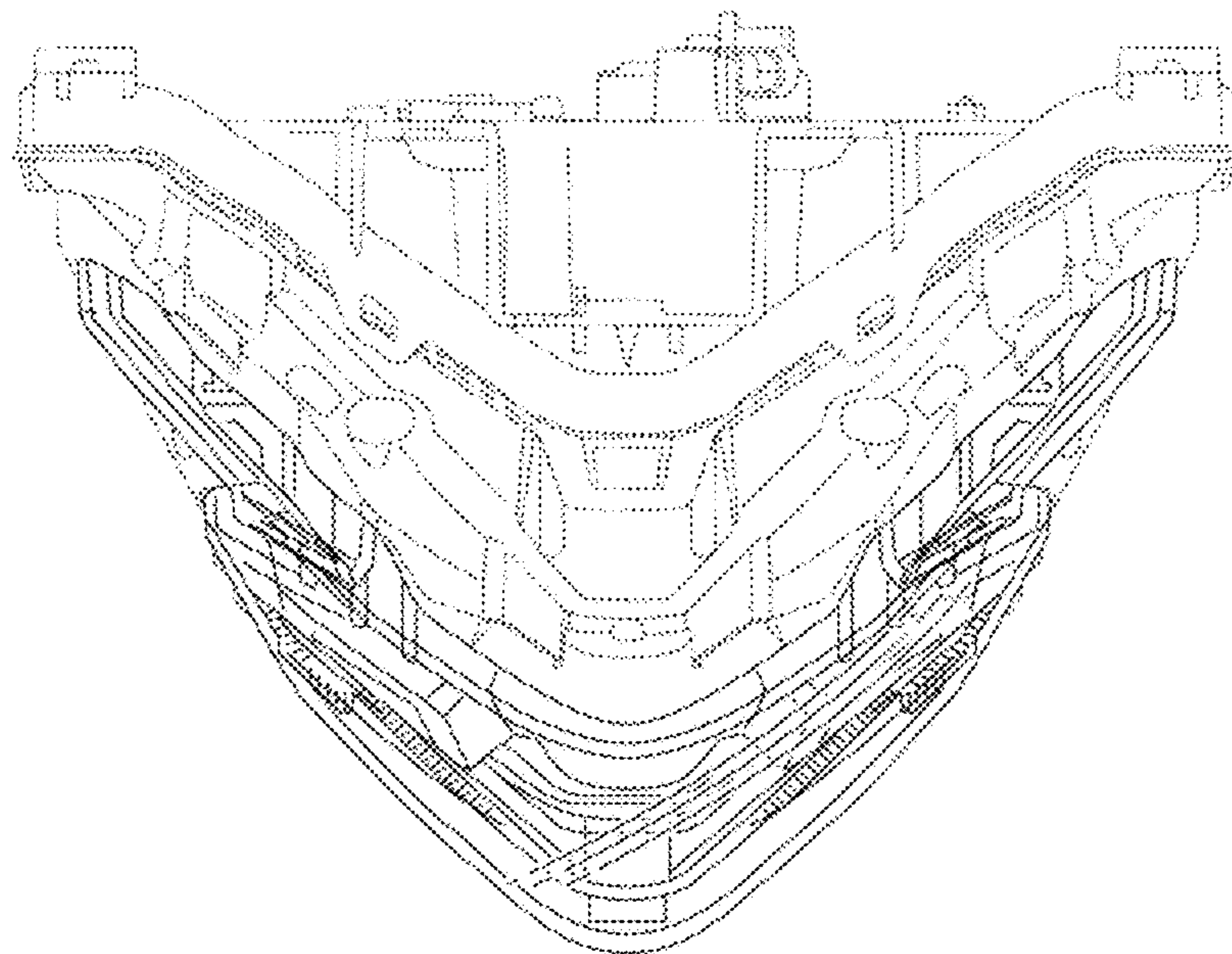




FIG.3

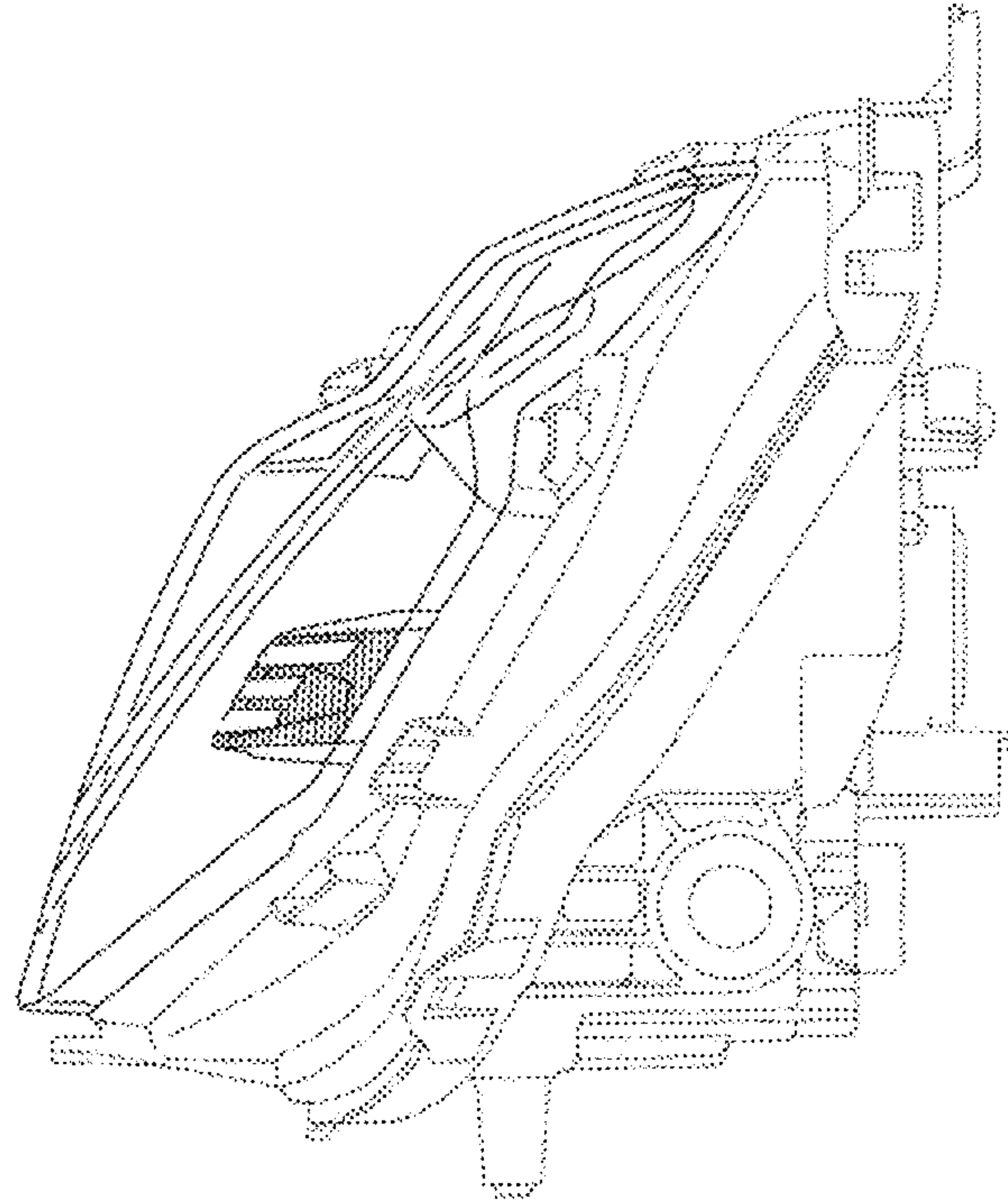


FIG.4

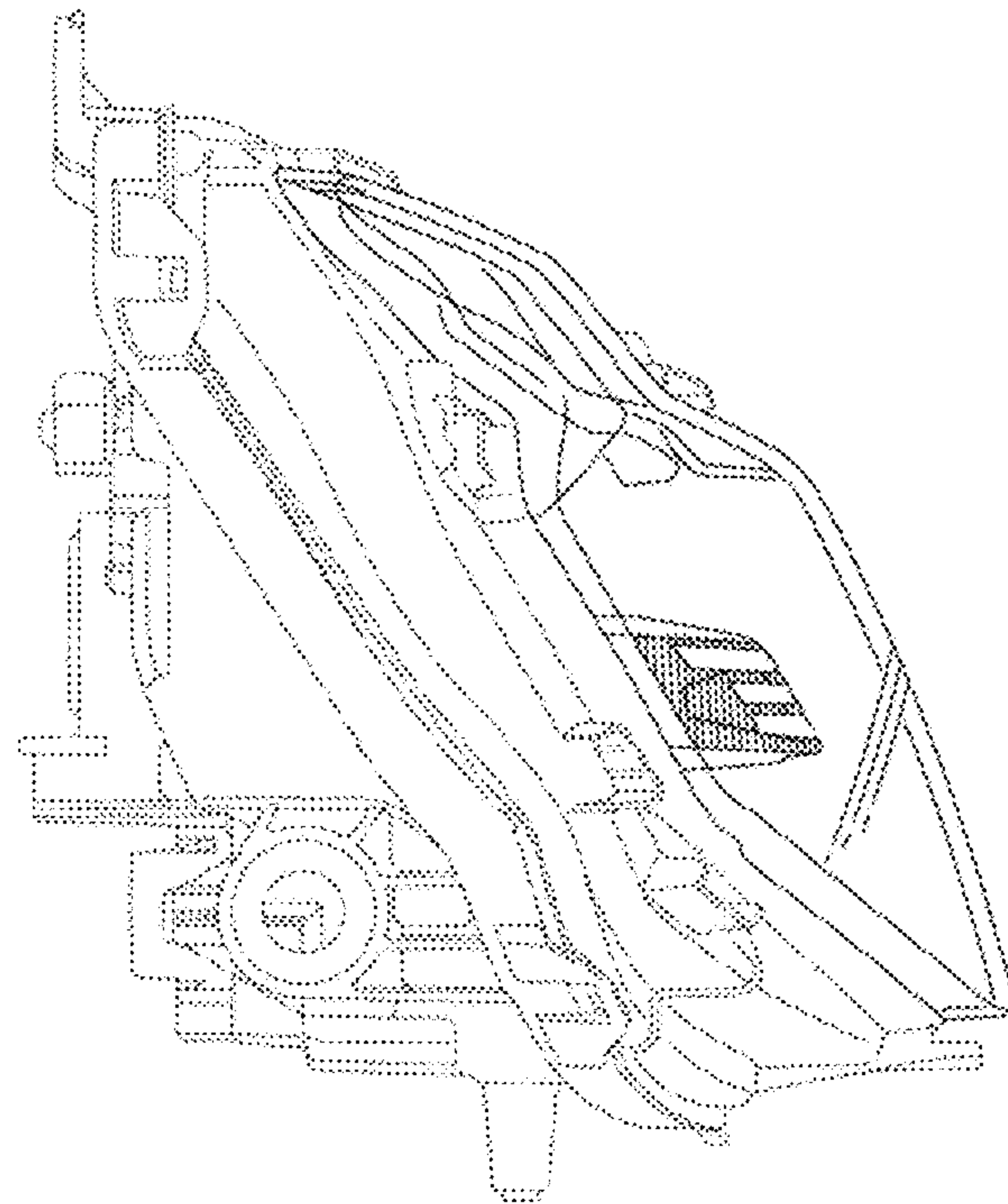


FIG.5

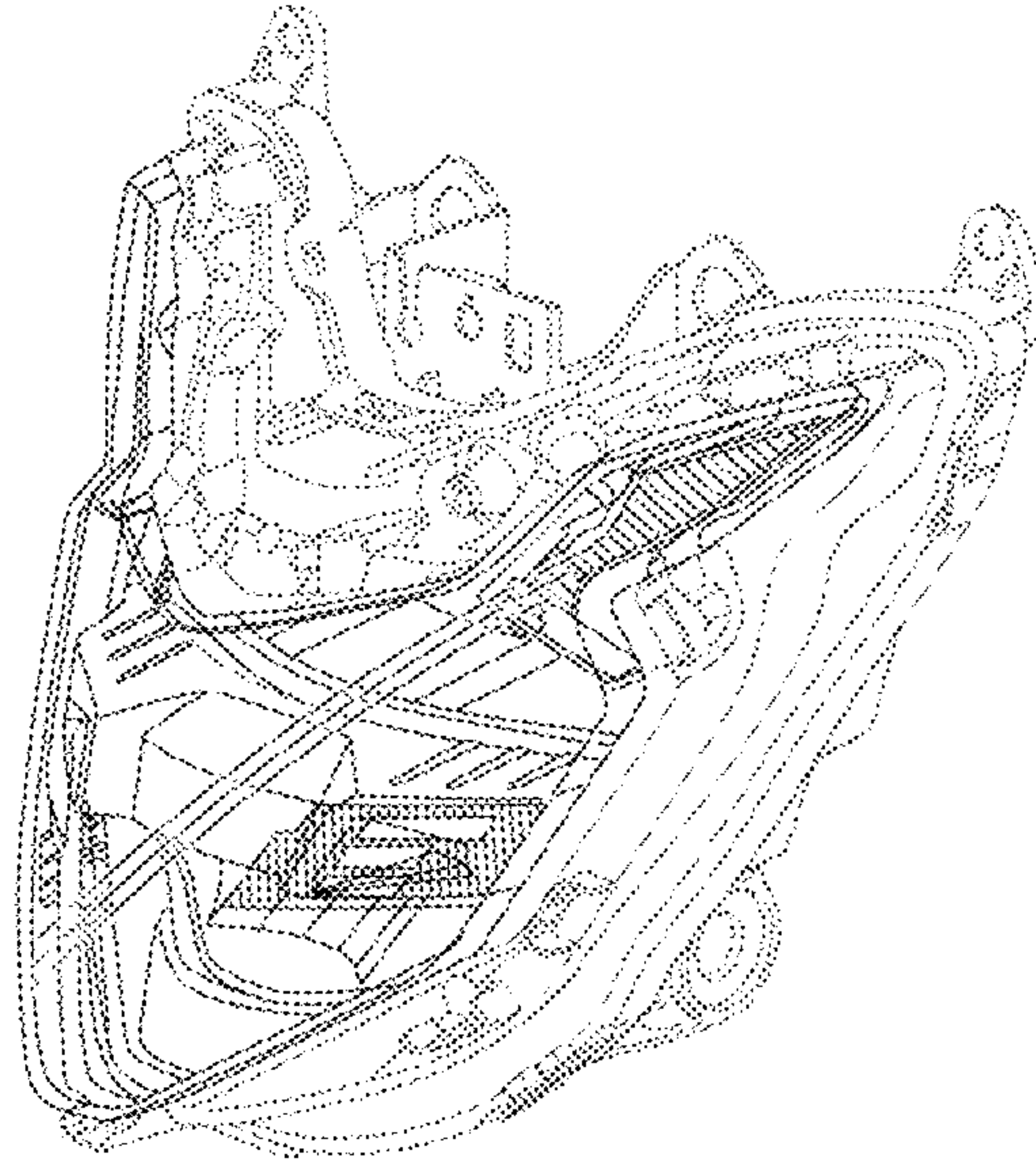


FIG.6

