

US00D796085S

(12) **United States Design Patent** (10) **Patent No.:** **US D796,085 S**
Barnetson et al. (45) **Date of Patent:** **** Aug. 29, 2017**

(54) **LED LAMP**

D593,222 S * 5/2009 To D26/2
D602,182 S * 10/2009 Foo D26/2
D621,974 S * 8/2010 Grajcar D26/2
D623,777 S * 9/2010 Moon D26/2

(71) Applicant: **Lunera Lighting, Inc.**, Santa Clara, CA (US)

* cited by examiner

(72) Inventors: **Donald Barnetson**, San Jose, CA (US);
George Xie, San Jose, CA (US); **Brian Dougherty**, Berkeley, CA (US);
Thomas Quinn, Los Altos Hills, CA (US)

Primary Examiner — Marcus Jackson
(74) *Attorney, Agent, or Firm* — Henry J. Cittone; Cittone & Chinta LLP

(73) Assignee: **LUNERA LIGHTING INC.**, Santa Clara, CA (US)

(**) Term: **15 Years**

(57) **CLAIM**

(21) Appl. No.: **29/561,760**

The ornamental design for a LED lamp, as shown and described.

(22) Filed: **Apr. 20, 2016**

(51) **LOC (10) Cl.** **26-04**

(52) **U.S. Cl.**
USPC **D26/2**

DESCRIPTION

(58) **Field of Classification Search**
USPC D26/1-4; 313/313, 315, 316, 317, 318,
313/493; 315/52, 53, 56, 57, 58
CPC F21K 9/13; F21K 9/135; F21K 9/1375;
H01R 5/00; H01R 13/46; H01R 13/514;
H01R 31/048; H01R 31/02; H01J 5/00;
H01J 5/16; H01J 15/00; H01J 5/48; H01J
5/50; F21V 5/00
See application file for complete search history.

FIG. 1 is a top perspective view of a LED lamp, showing our new design;
FIG. 2 is bottom perspective view thereof;
FIG. 3 is a front view thereof;
FIG. 4 is a right side view thereof;
FIG. 5 is a left side view thereof;
FIG. 6 is a back view thereof;
FIG. 7 is a top plan view thereof; and,
FIG. 8 is a bottom plan view thereof.
The broken line illustrations of environmental and other structures in the drawings are not part of the design sought to be patented. The shade lines in the drawings show contour and not surface ornamentation.

(56) **References Cited**

U.S. PATENT DOCUMENTS

D571,489 S * 6/2008 Opolka D26/2
D574,092 S * 7/2008 Sun D26/2

1 Claim, 8 Drawing Sheets

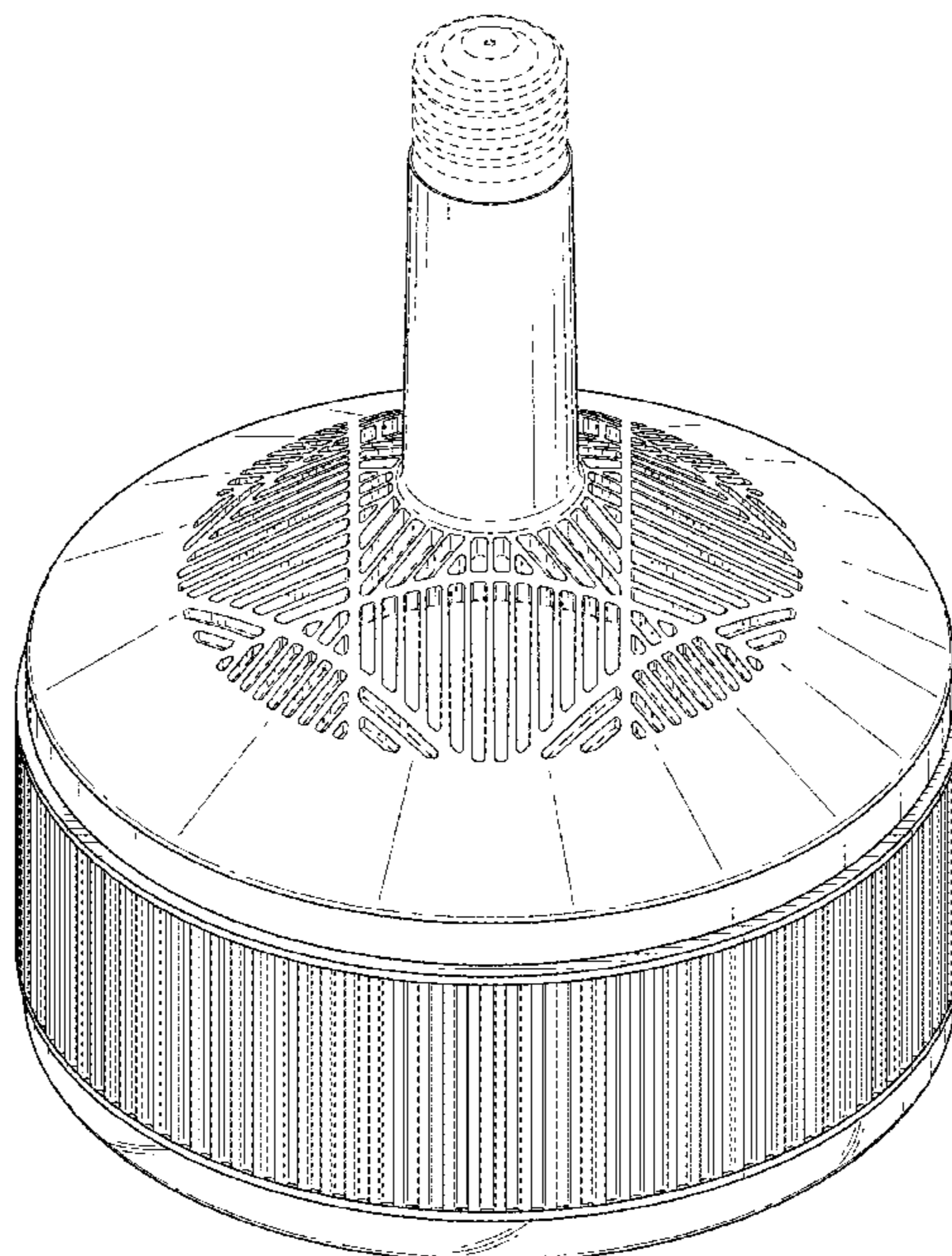


FIG. 1

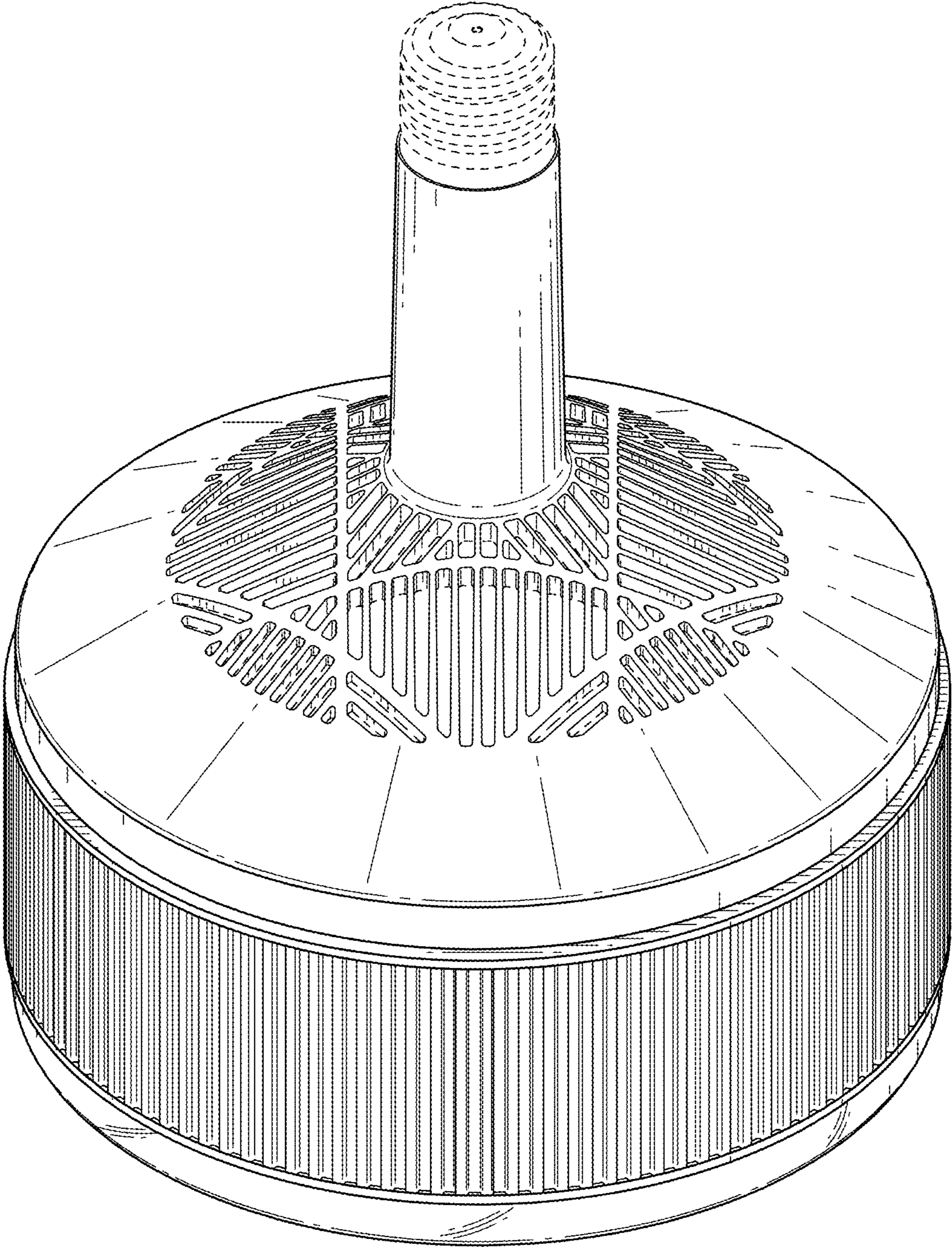


FIG. 2

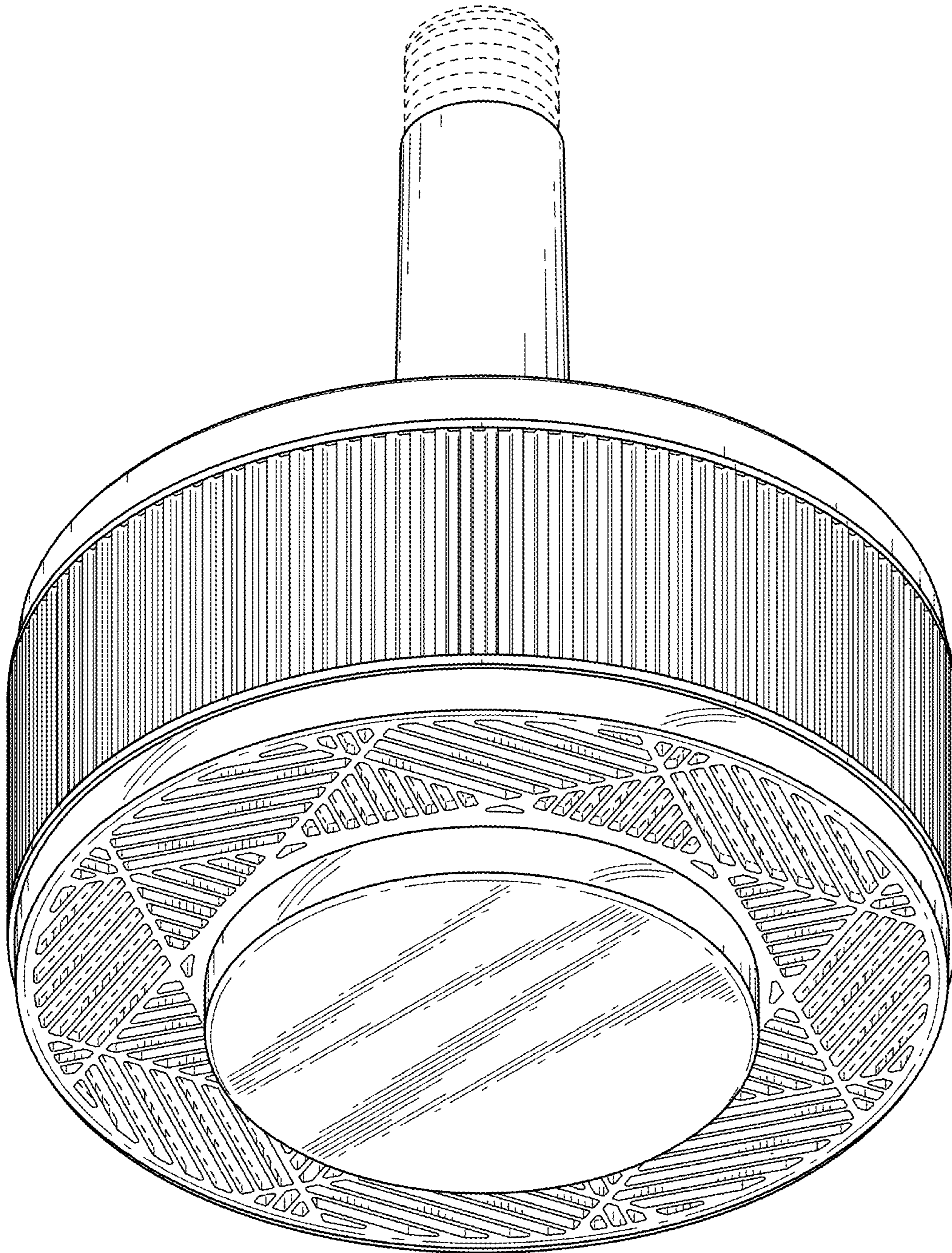


FIG. 3

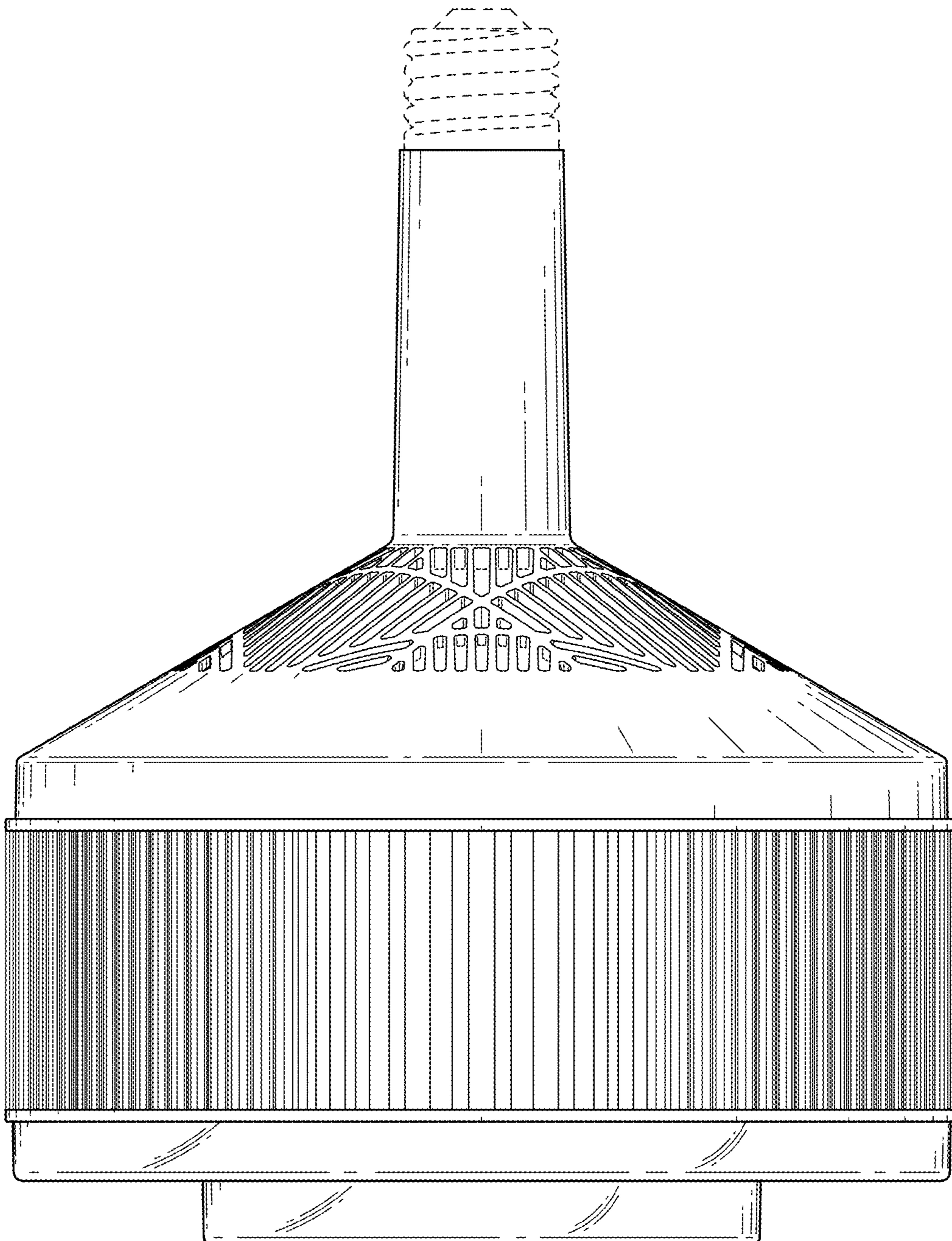


FIG. 4

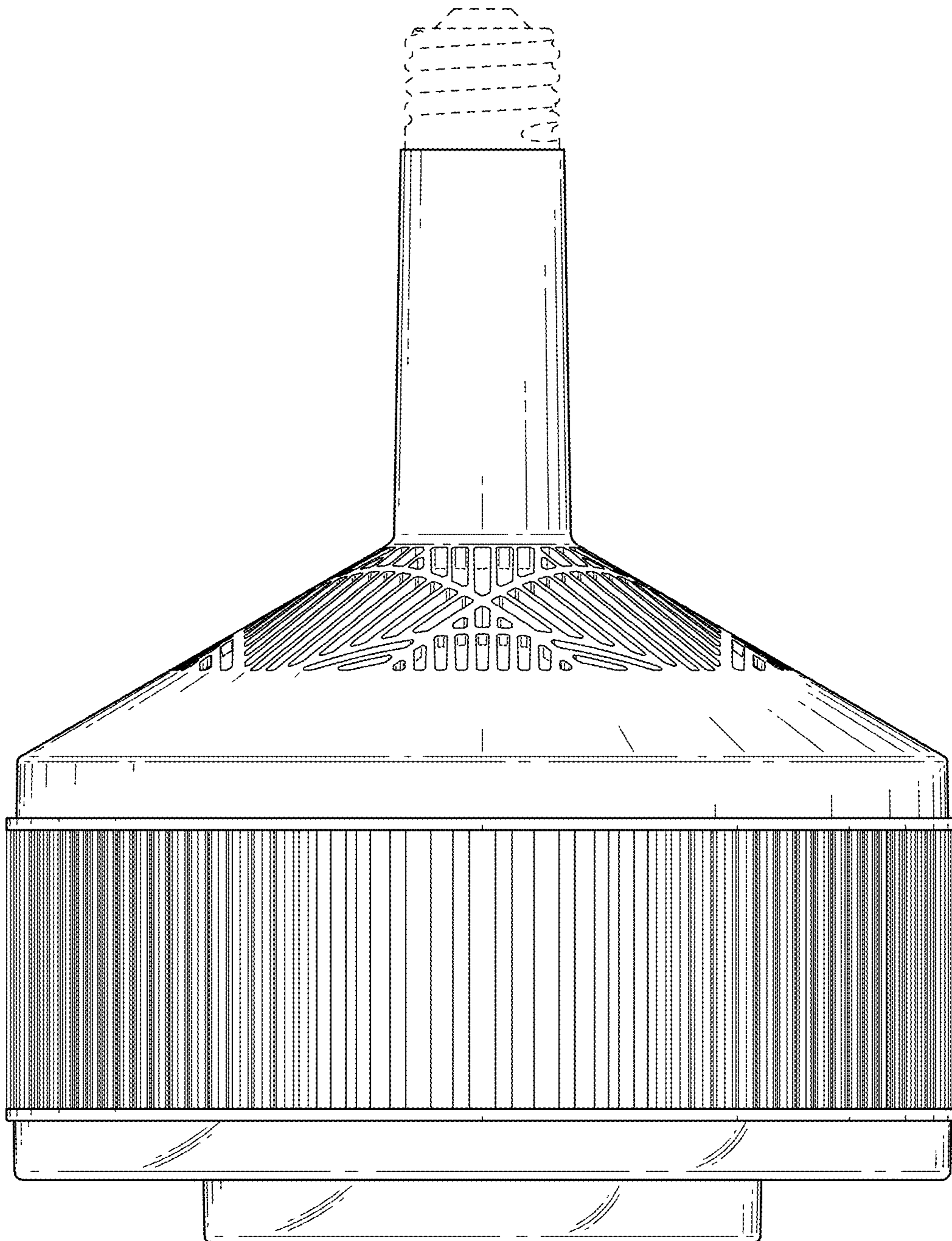


FIG. 5

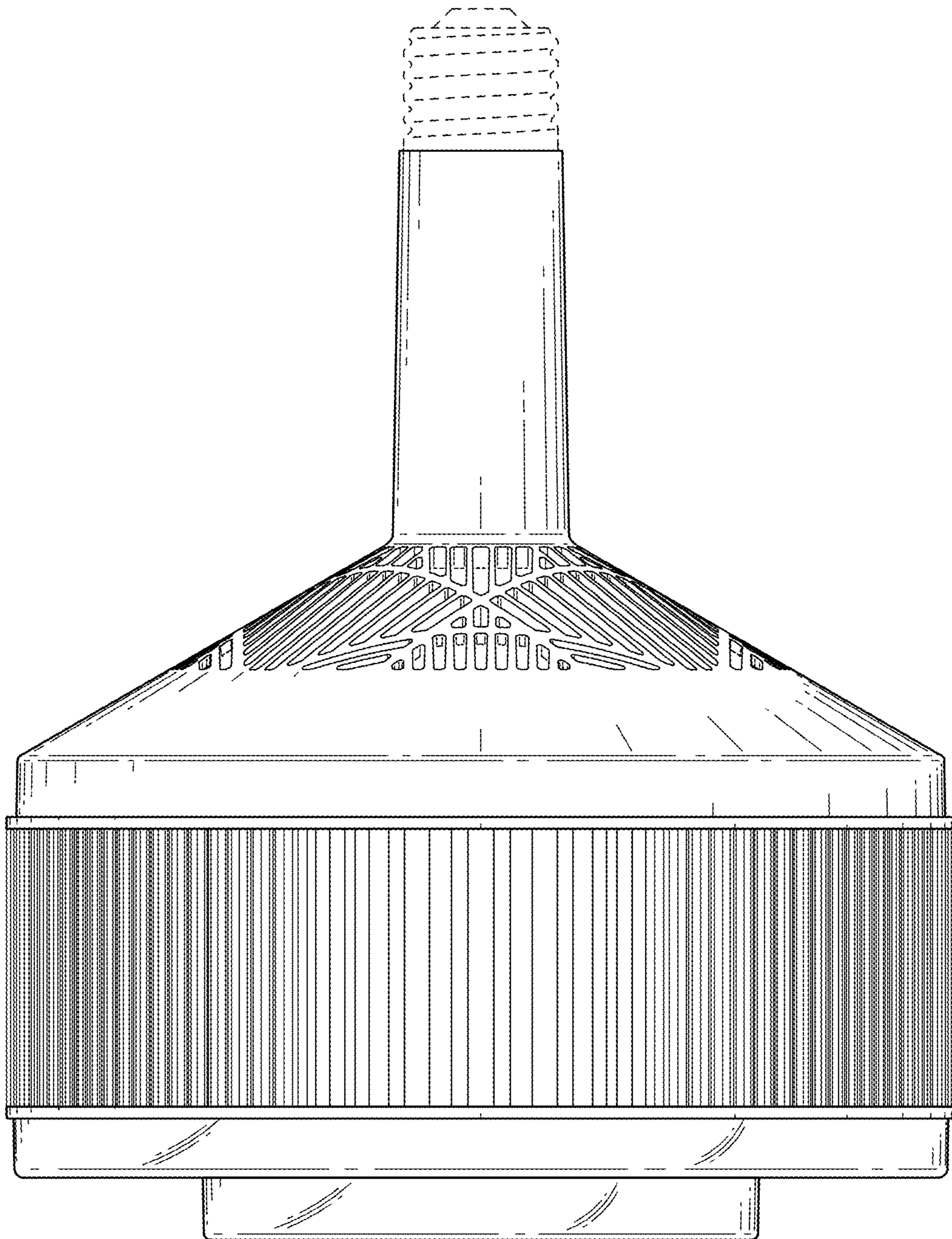


FIG. 6

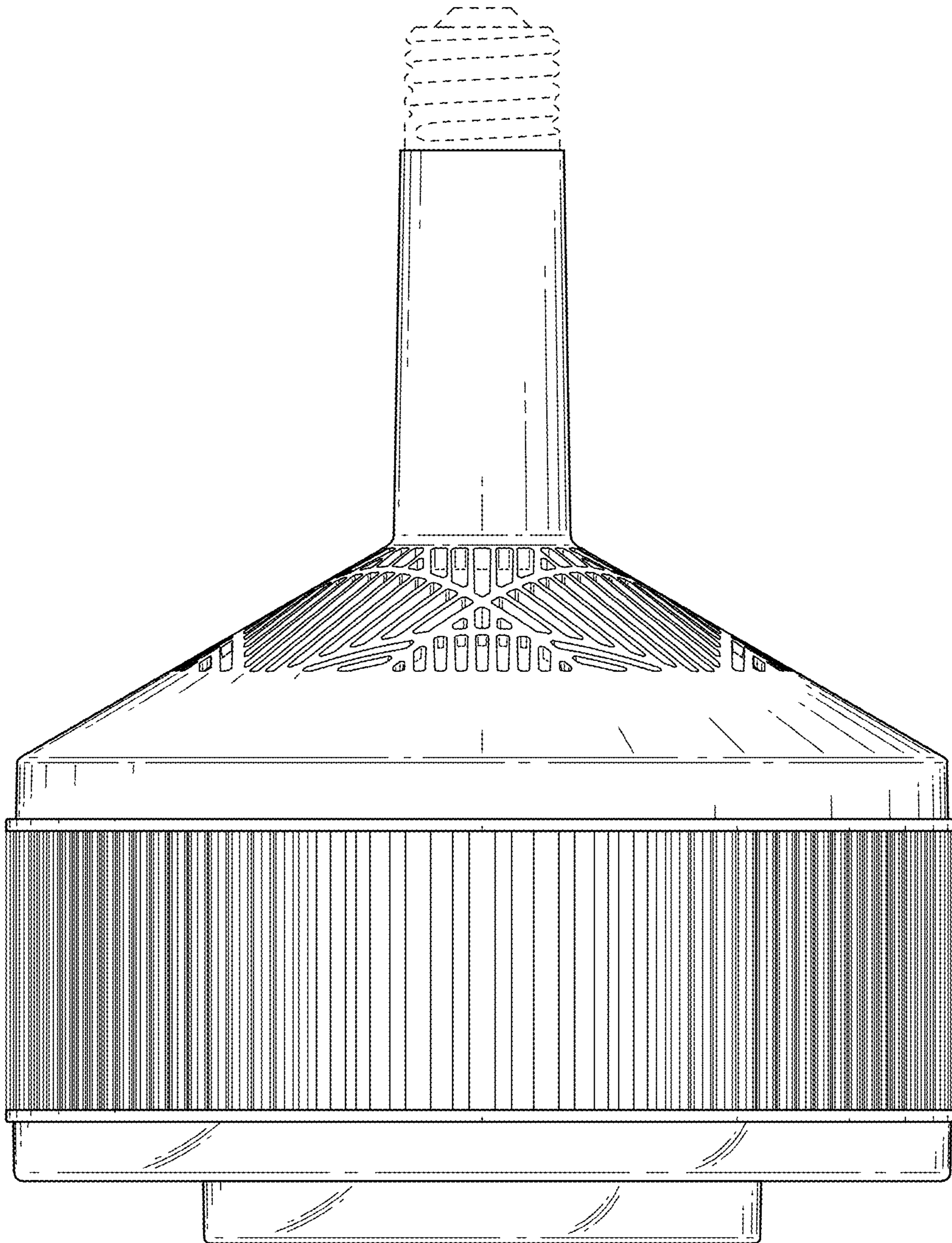


FIG. 7

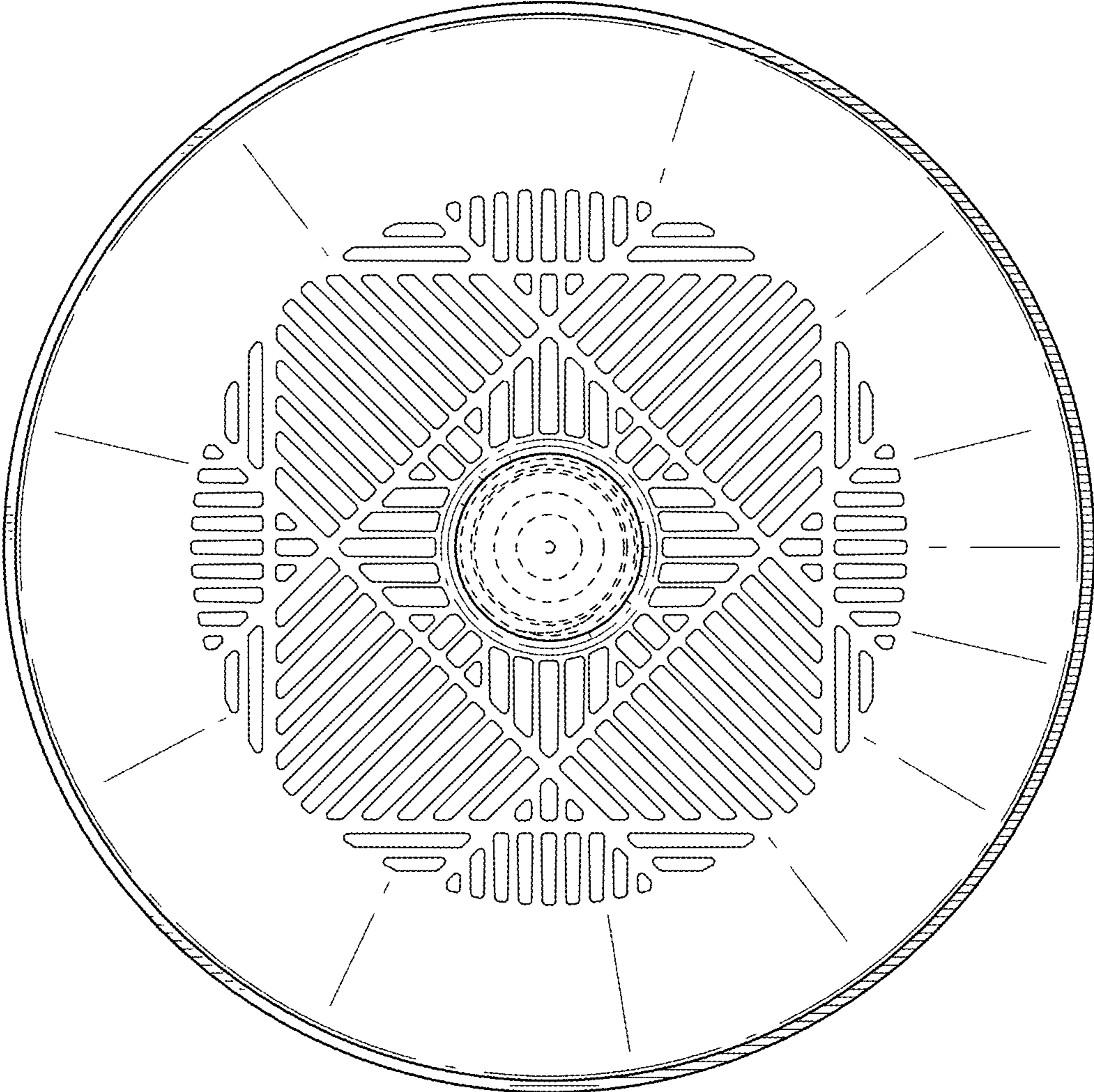


FIG. 8

