

US00D796084S

(12) **United States Design Patent**
Barnetson et al.

(10) **Patent No.:** **US D796,084 S**

(45) **Date of Patent:** **** Aug. 29, 2017**

(54) **LED LAMP**

(71) Applicant: **Lunera Lighting, Inc.**, Santa Clara, CA (US)

(72) Inventors: **Donald Barnetson**, San Jose, CA (US); **George Xie**, San Jose, CA (US); **Brian Dougherty**, Berkeley, CA (US); **Thomas Quinn**, Los Altos Hills, CA (US)

(73) Assignee: **LUNERA LIGHTING INC.**, Santa Clara, CA (US)

(**) Term: **15 Years**

(21) Appl. No.: **29/561,757**

(22) Filed: **Apr. 20, 2016**

(51) **LOC (10) Cl.** **26-04**

(52) **U.S. Cl.**
USPC **D26/2**

(58) **Field of Classification Search**

USPC D26/1-4; 313/313, 315, 316, 317, 318, 313/493; 315/52, 53, 56, 57, 58
CPC F21K 9/13; F21K 9/135; F21K 9/1375; H01J 5/00; H01J 5/16; H01J 15/00; H01J 5/48; H01J 5/50; H01J 19/54; H01R 5/00; H01R 13/46; H01R 13/514; H01R 31/048; H01R 31/02; F21V 5/00

See application file for complete search history.

(56) **References Cited**

U.S. PATENT DOCUMENTS

D600,367 S * 9/2009 Bertram D26/2
D660,468 S * 5/2012 Mase D26/2

D673,699 S * 1/2013 Yao D26/2
D698,049 S * 1/2014 Jiang D26/2
D728,834 S * 5/2015 Taylor D26/2
D732,211 S * 6/2015 Cho D26/2

* cited by examiner

Primary Examiner — Marcus Jackson

(74) *Attorney, Agent, or Firm* — Henry J. Cittone; Cittone & Chinta LLP

(57) **CLAIM**

The ornamental design for a LED lamp, as shown and described.

DESCRIPTION

FIG. 1 is a top perspective view of an LED Lamp, showing our new design;
FIG. 2 is bottom perspective view thereof;
FIG. 3 is a front view thereof;
FIG. 4 is a right side view thereof;
FIG. 5 is a left side view thereof;
FIG. 6 is a back view thereof;
FIG. 7 is a top plan view thereof; and,
FIG. 8 is a bottom plan view thereof.
The broken line illustrations of environmental and other structures in the drawings are not part of the design sought to be patented. The shade lines in the drawings show contour and not surface ornamentation.

1 Claim, 8 Drawing Sheets

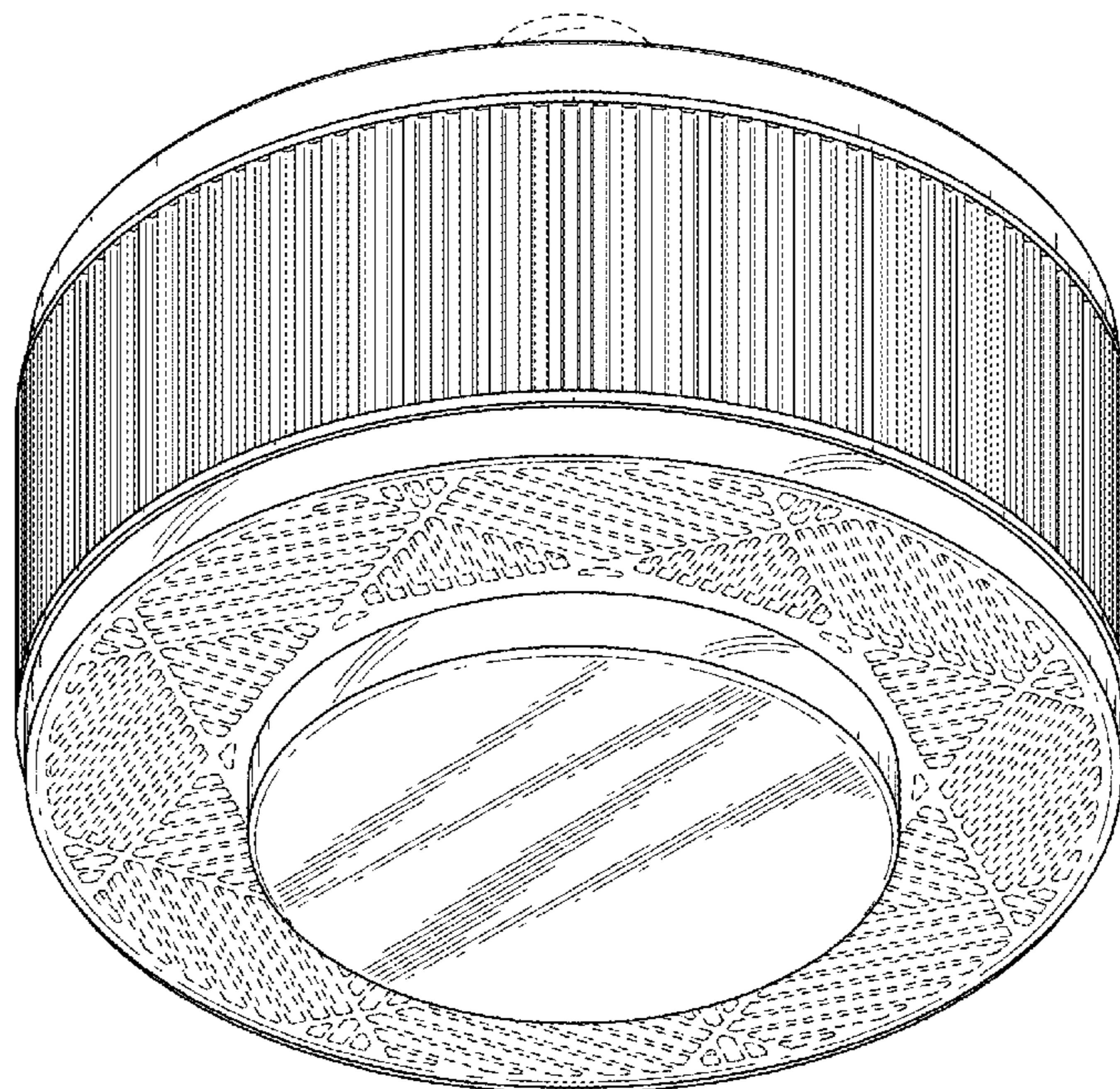


FIG. 1

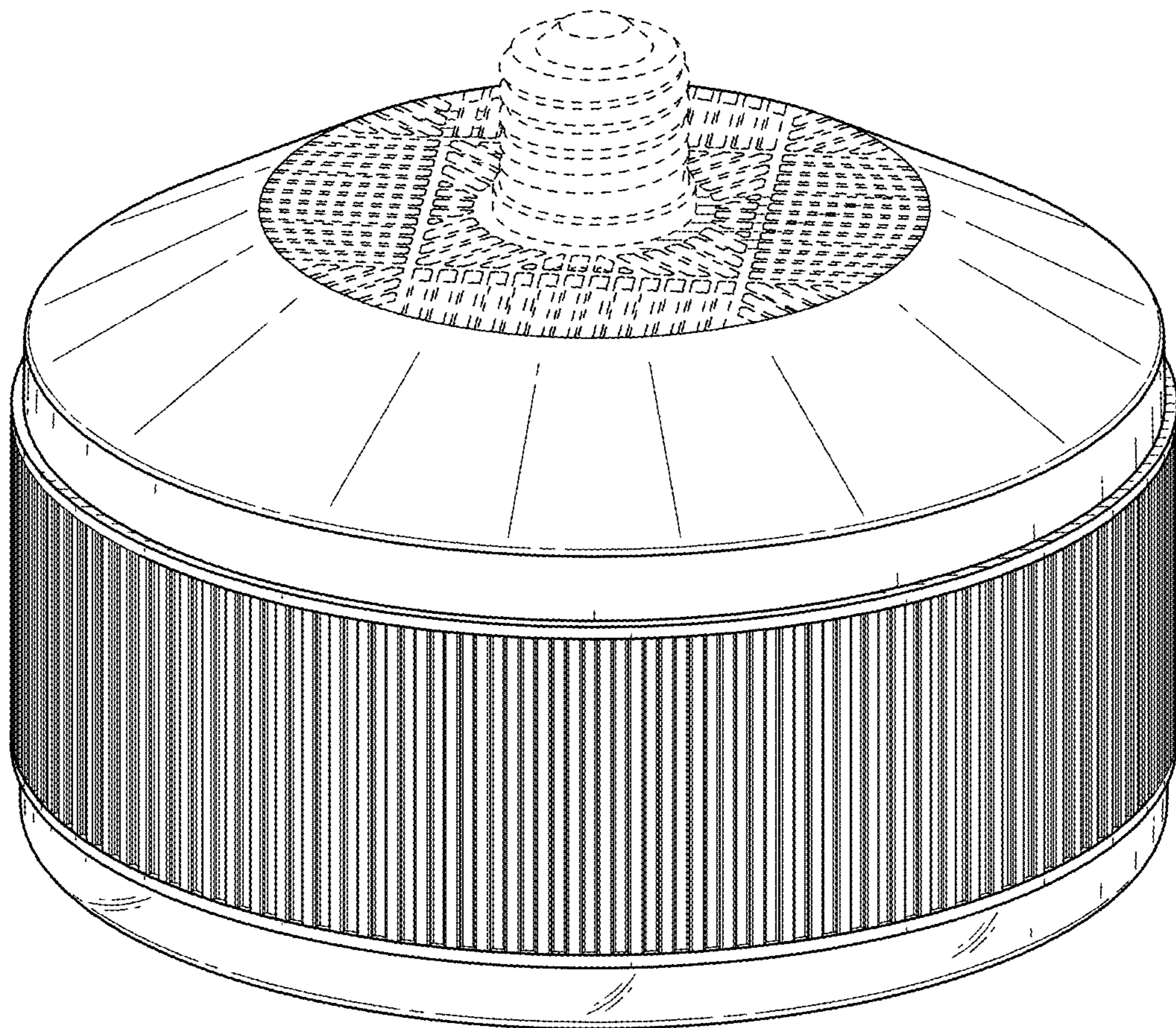


FIG. 2

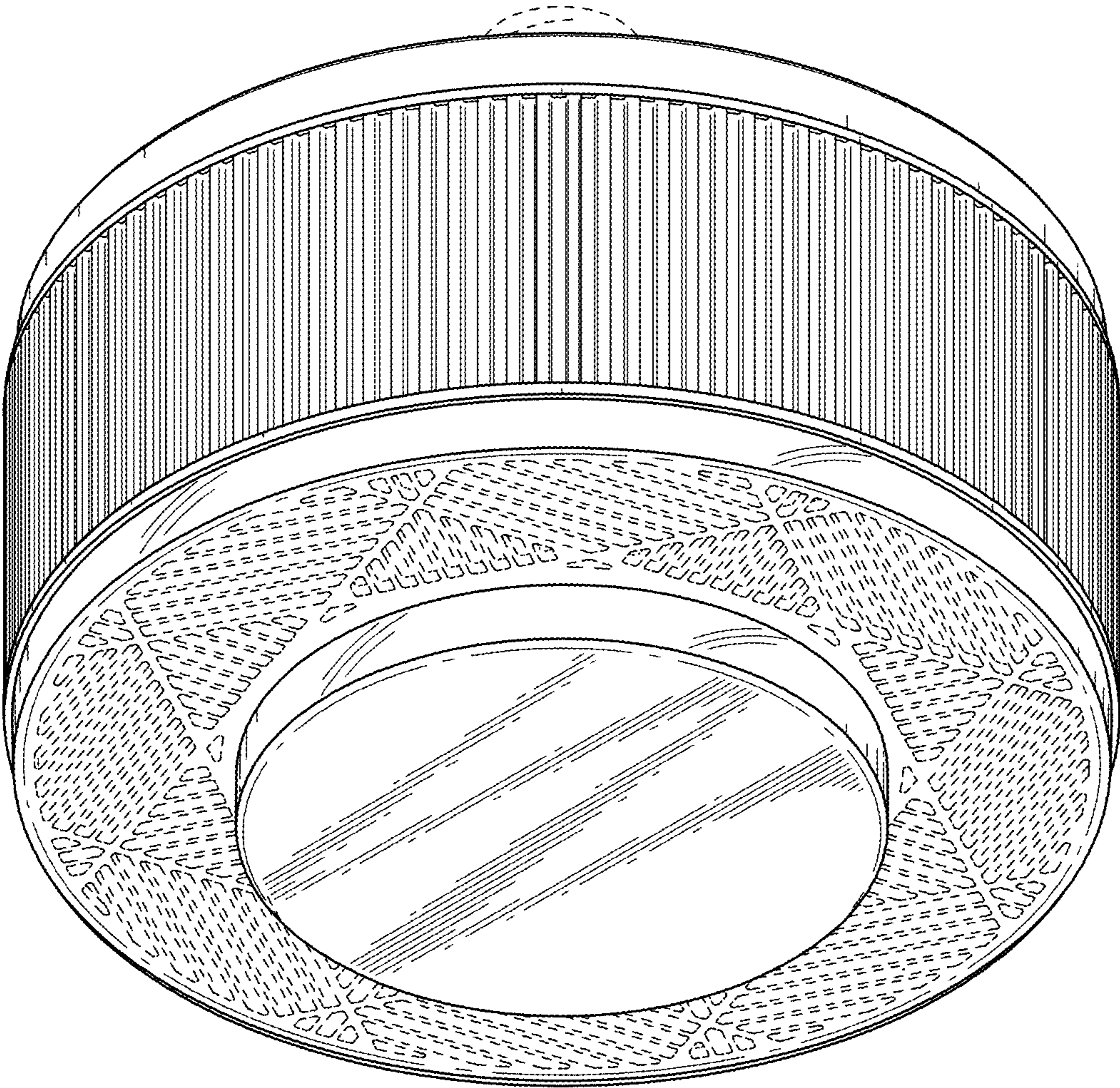


FIG. 3

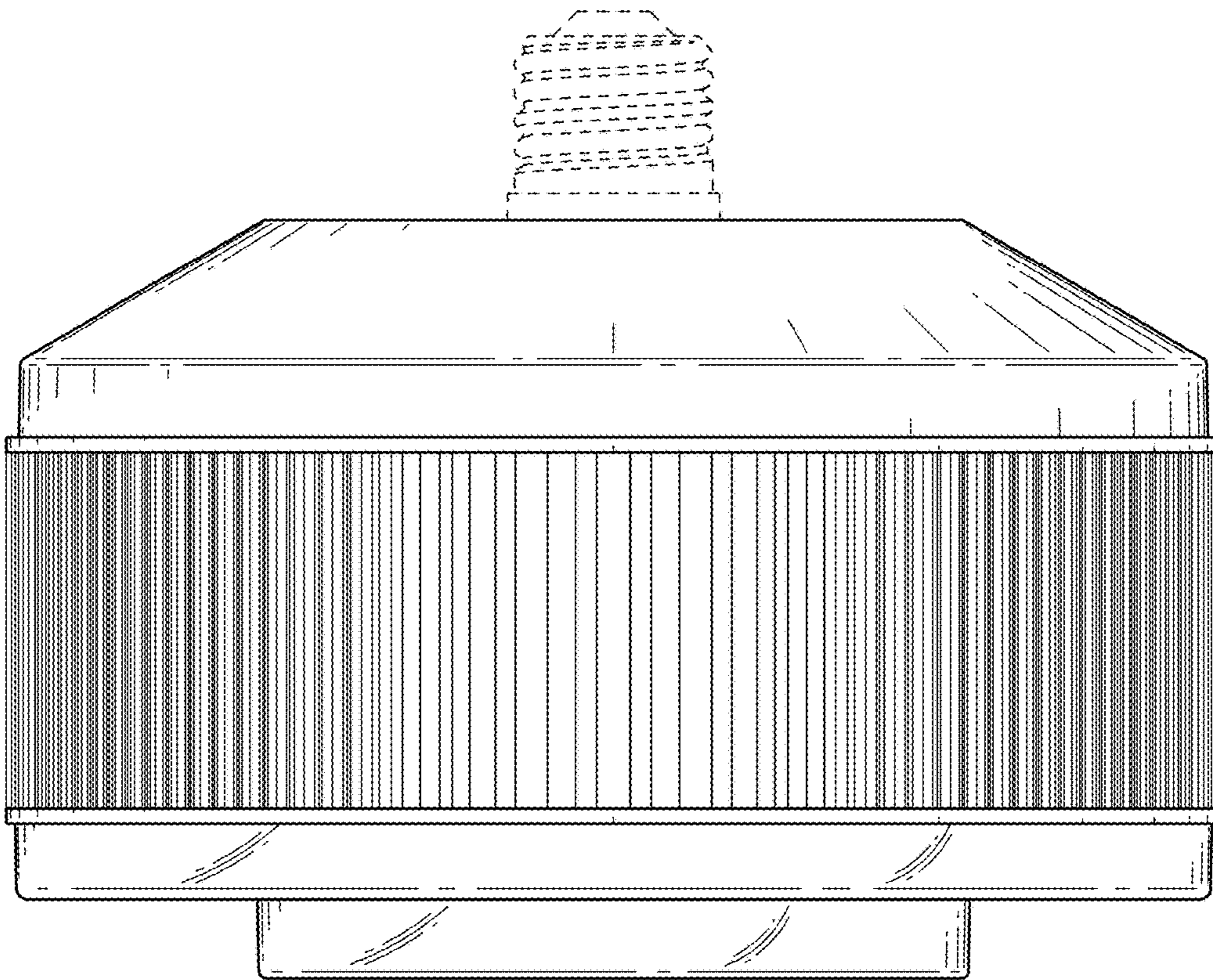


FIG. 4

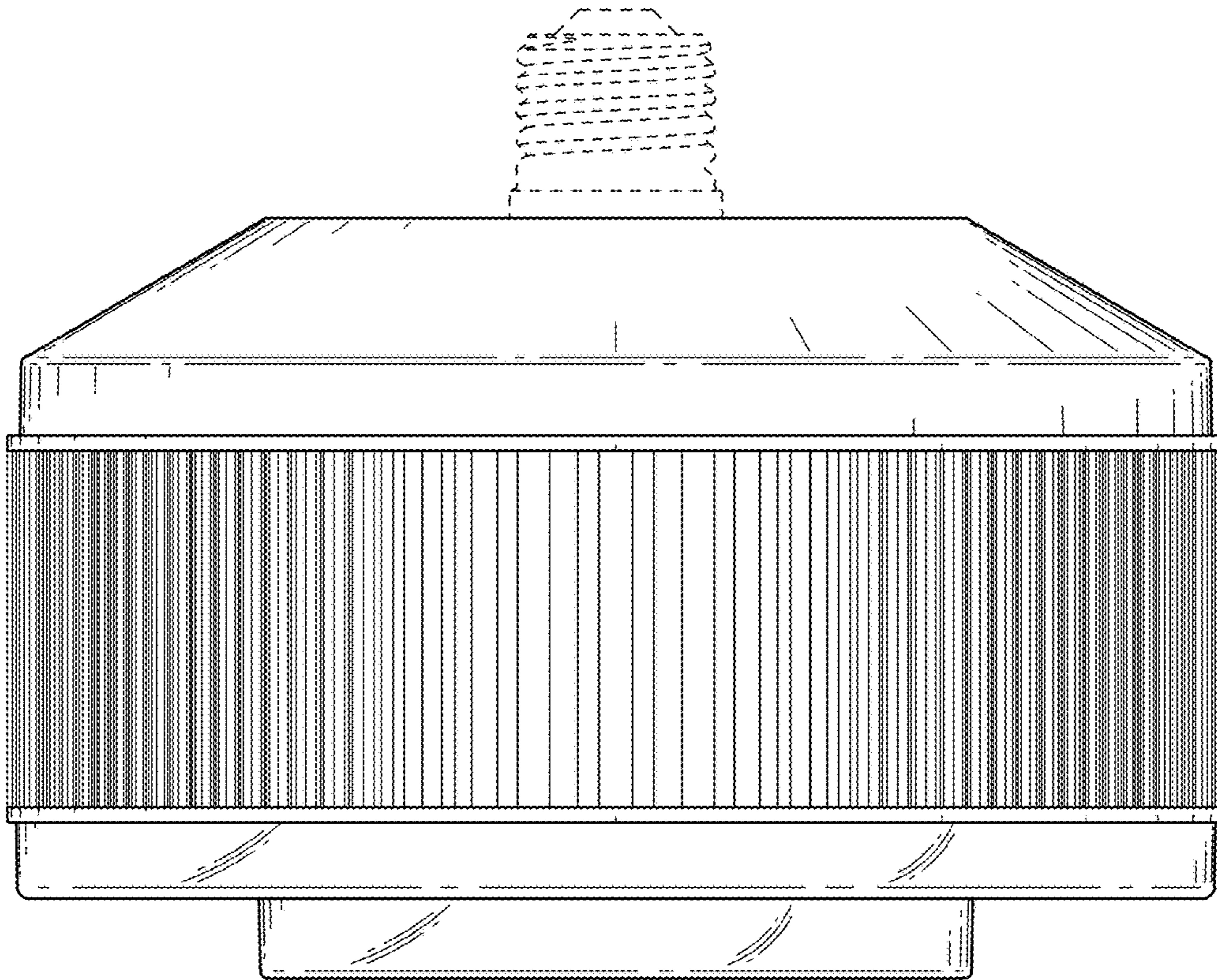


FIG. 5

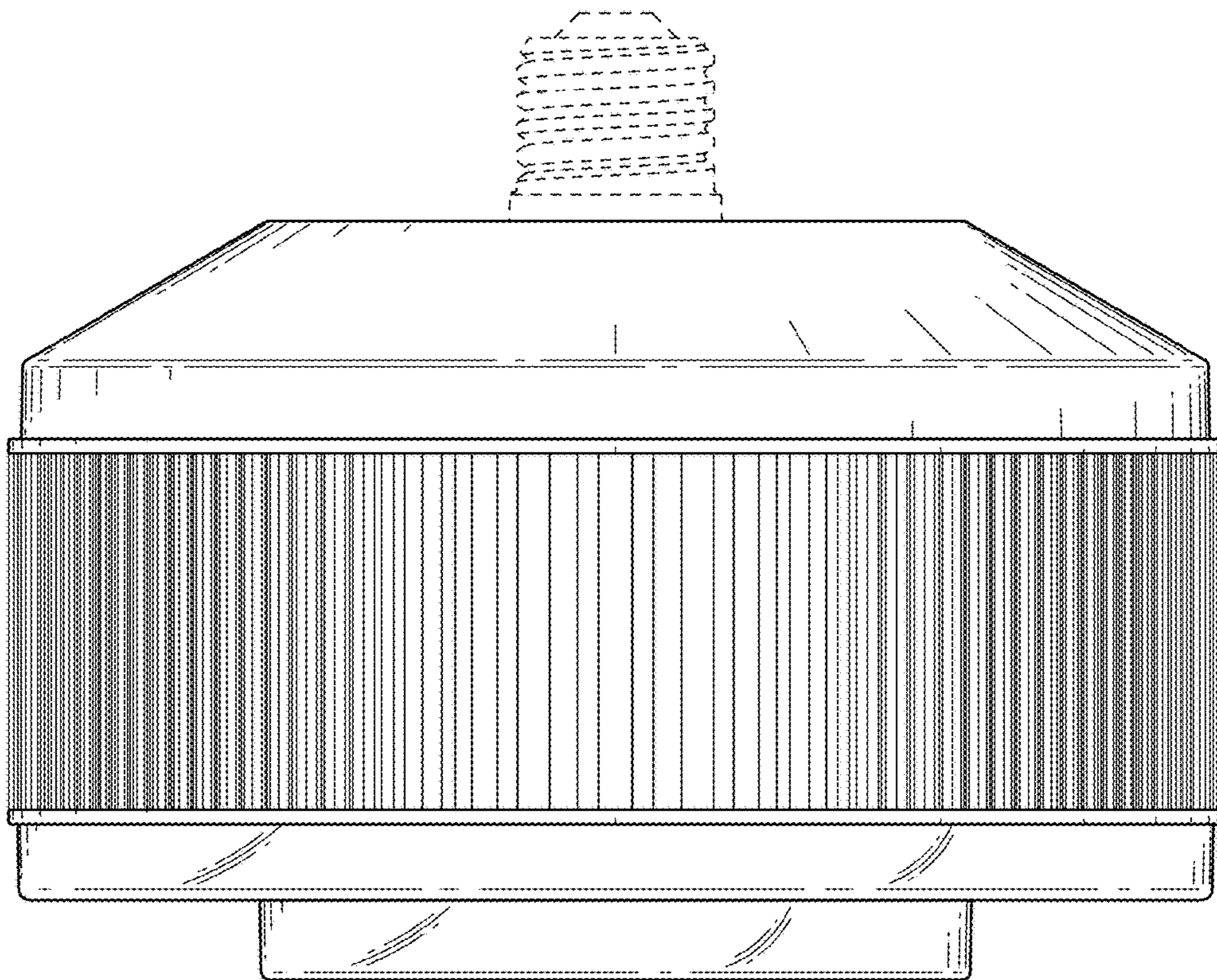


FIG. 6

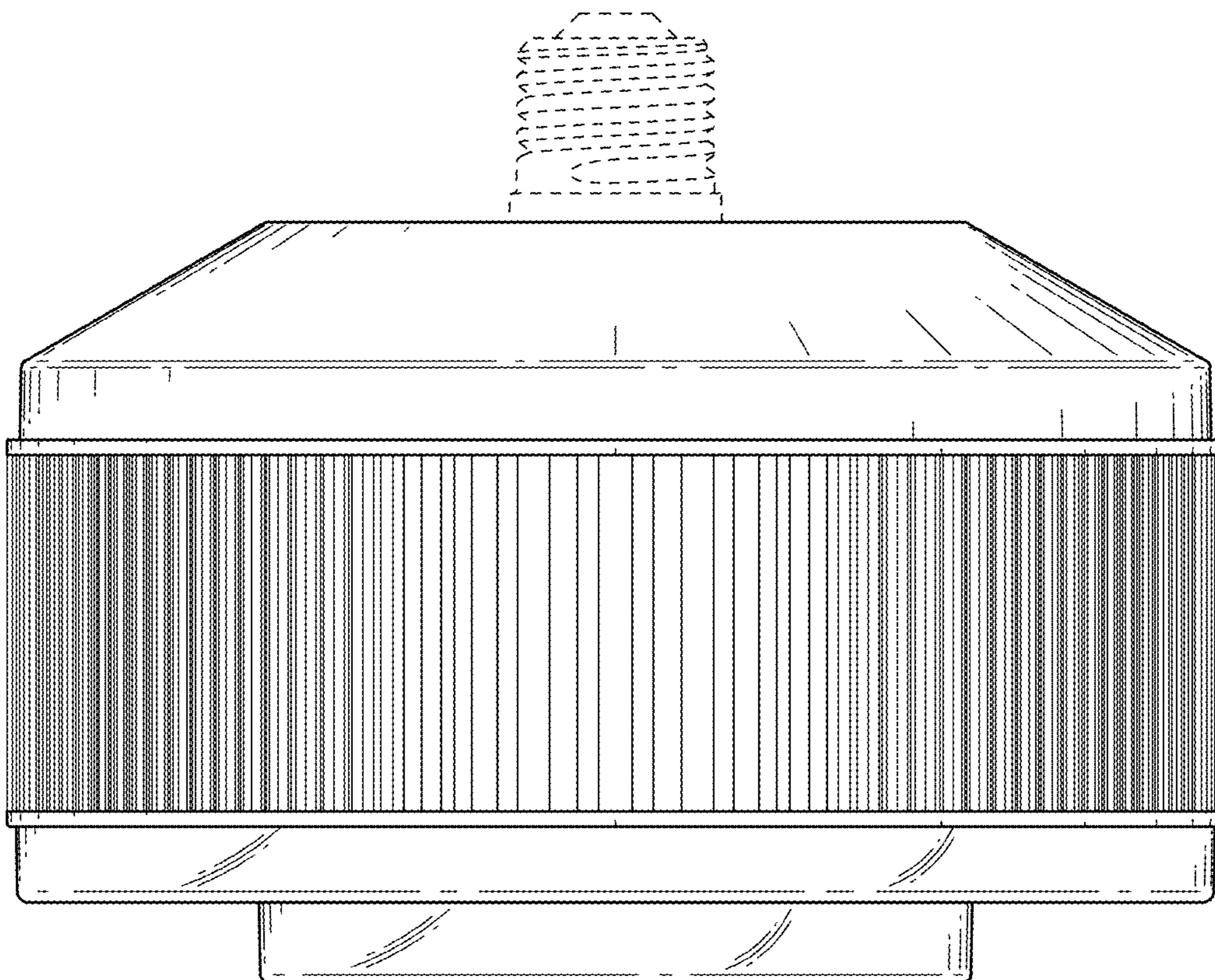


FIG. 7

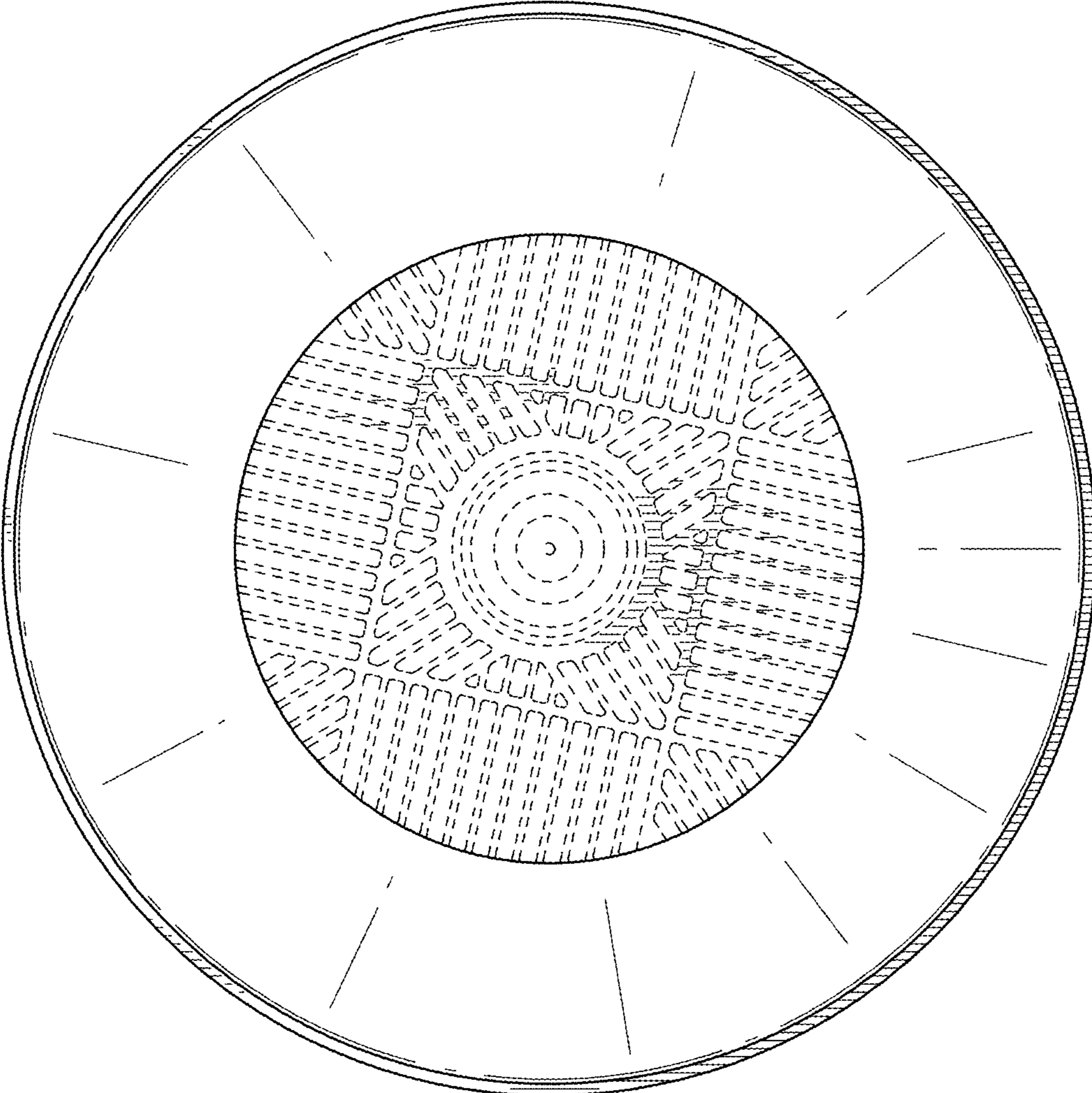


FIG. 8

