



US00D796083S

(12) **United States Design Patent** (10) **Patent No.:** **US D796,083 S**  
**Barnetson et al.** (45) **Date of Patent:** **\*\* Aug. 29, 2017**

(54) **LED LAMP**

(71) Applicant: **Lunera Lighting, Inc.**, Santa Clara, CA (US)

(72) Inventors: **Donald Barnetson**, San Jose, CA (US); **George Xie**, San Jose, CA (US); **Brian Dougherty**, Berkeley, CA (US); **Thomas Quinn**, Los Altos Hills, CA (US)

(73) Assignee: **LUNERA LIGHTING INC.**, Santa Clara, CA (US)

(\*\*) Term: **15 Years**

(21) Appl. No.: **29/561,646**

(22) Filed: **Apr. 18, 2016**

(51) **LOC (10) Cl.** ..... **26-04**

(52) **U.S. Cl.**  
USPC ..... **D26/2**

(58) **Field of Classification Search**  
USPC ..... D26/1-4; 313/313, 315, 316, 317, 318, 313/493; 315/52, 53, 56, 57, 58  
CPC ..... F21K 9/13; F21K 9/135; F21K 9/1375; H01R 5/00; H01R 13/46; H01R 13/514; H01R 31/048; H01R 31/02; H01J 5/00; H01J 5/16; H01J 15/00; H01J 5/48; H01J 5/50; H01J 19/54; F21V 5/00  
See application file for complete search history.

(56) **References Cited**

**U.S. PATENT DOCUMENTS**

D600,367 S \* 9/2009 Bertram ..... D26/2  
D660,468 S \* 5/2012 Mase ..... D26/2

D673,699 S \* 1/2013 Yao ..... D26/2  
D695,431 S \* 12/2013 Lay ..... D26/2  
D698,049 S \* 1/2014 Jiang ..... D26/2  
D728,834 S \* 5/2015 Taylor ..... D26/2  
D732,211 S \* 6/2015 Cho ..... D26/2

\* cited by examiner

*Primary Examiner* — Marcus Jackson  
(74) *Attorney, Agent, or Firm* — Henry J. Cittone; Cittone & Chinta LLP

(57) **CLAIM**

The ornamental design for a LED lamp, as shown and described.

**DESCRIPTION**

FIG. 1 is a top perspective view of an LED lamp, showing our new design;  
FIG. 2 is bottom perspective view thereof;  
FIG. 3 is a front view thereof;  
FIG. 4 is a right side view thereof;  
FIG. 5 is a left side view thereof;  
FIG. 6 is a back view thereof;  
FIG. 7 is a top plan view thereof; and,  
FIG. 8 is a bottom plan view thereof.  
The broken line illustrations of environmental and other structures in the drawings are not part of the design sought to be patented. The shade lines in the drawings show contour and not surface ornamentation.

**1 Claim, 8 Drawing Sheets**

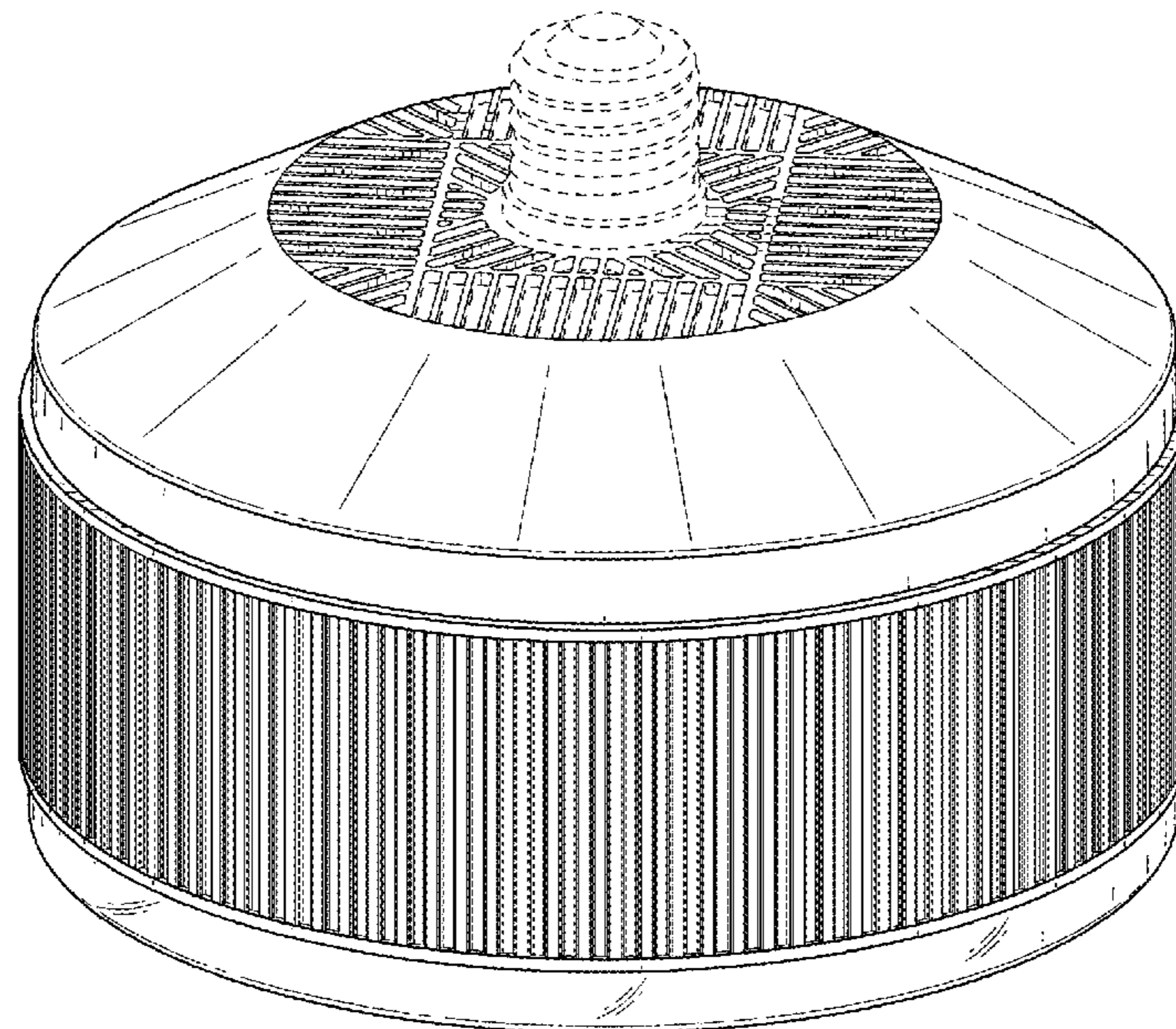


FIG. 1

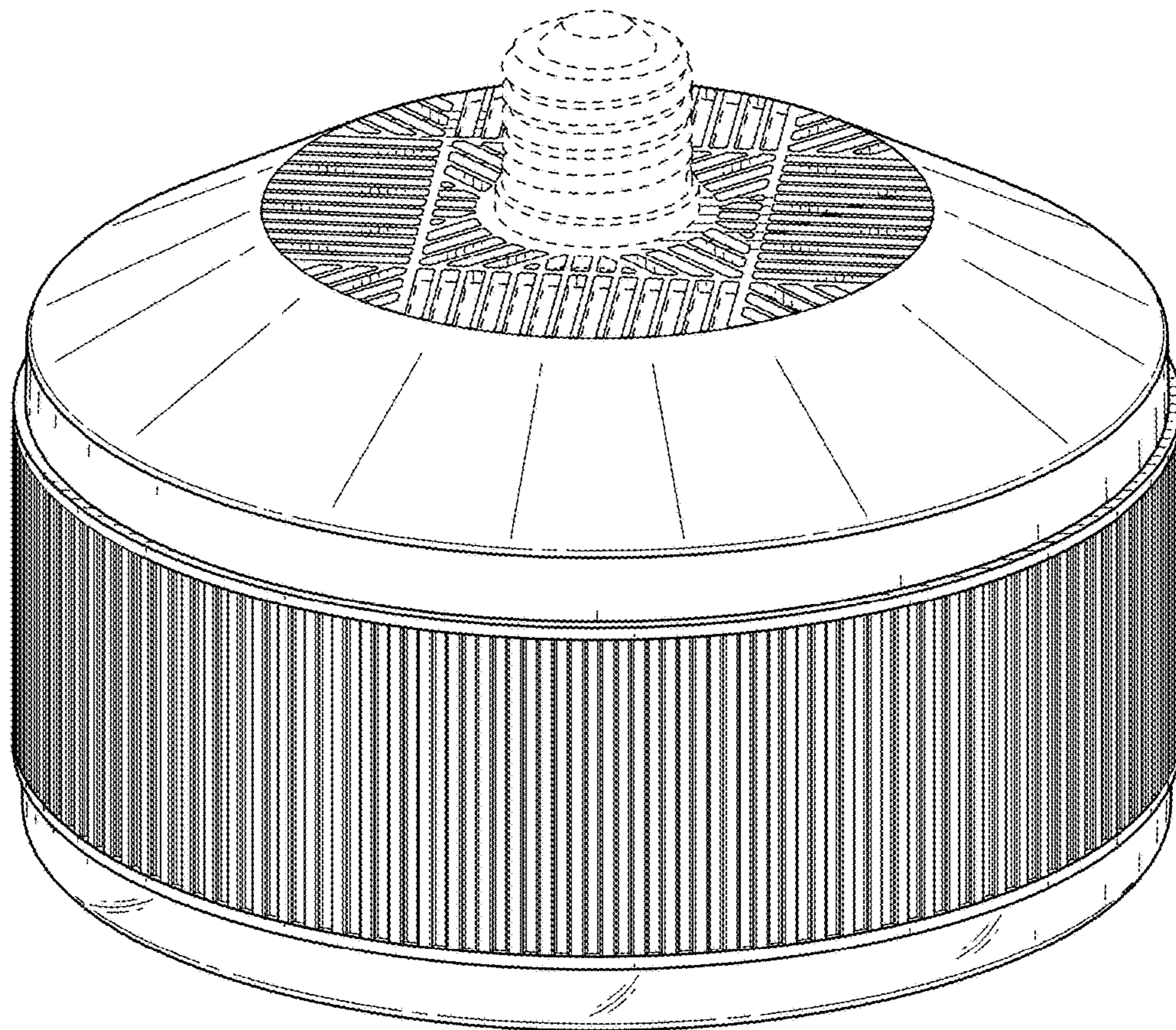


FIG. 2

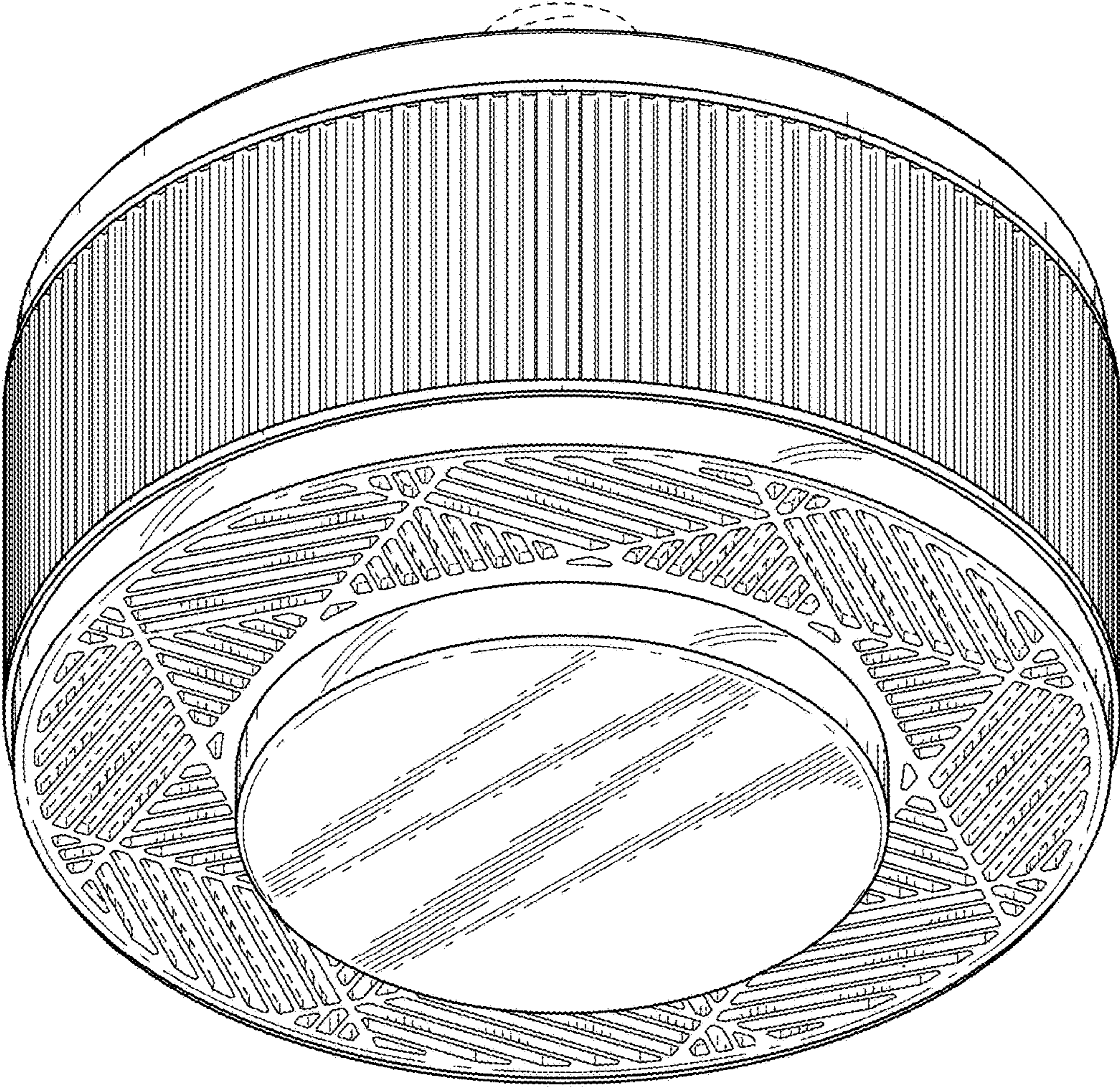


FIG. 3

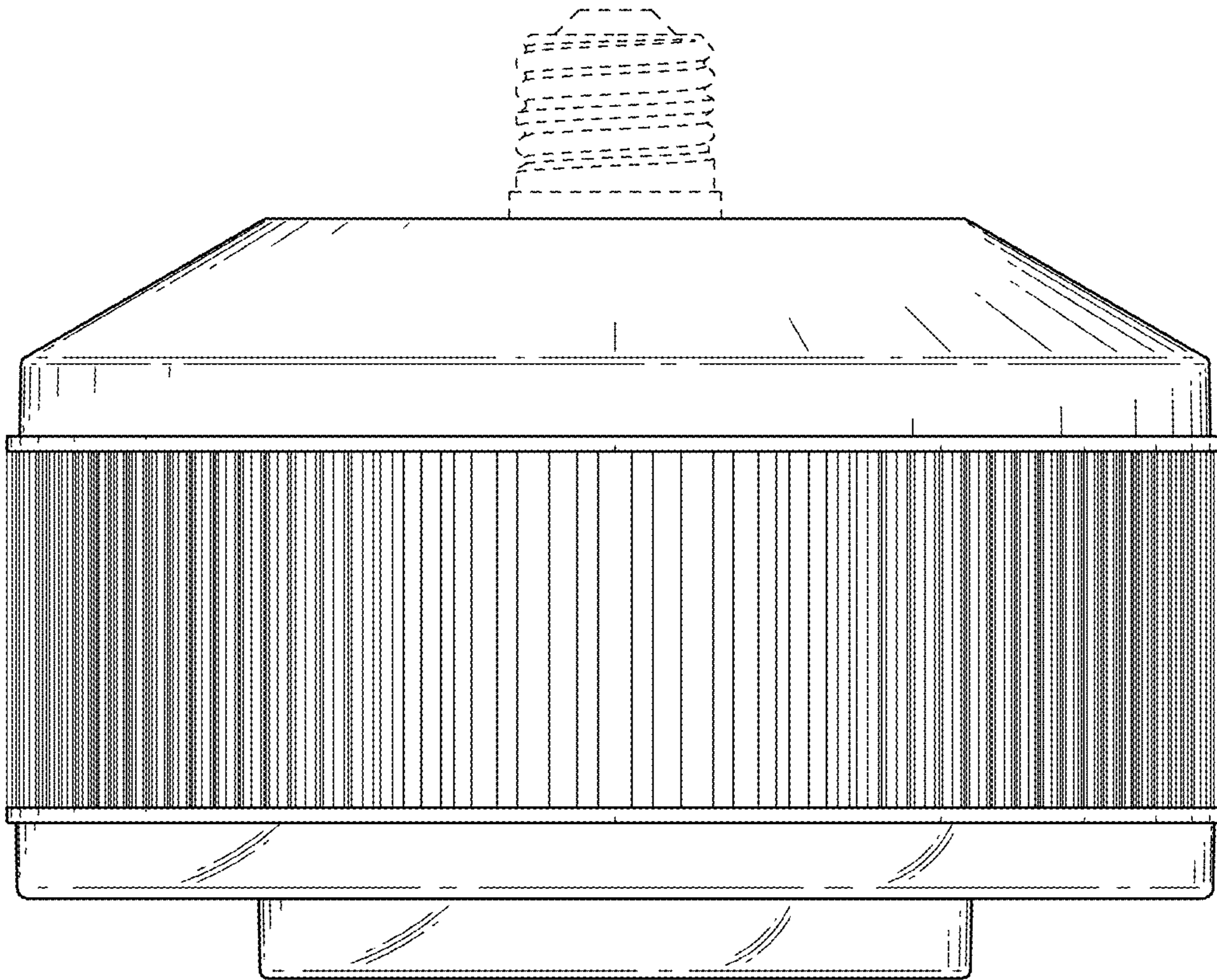


FIG. 4

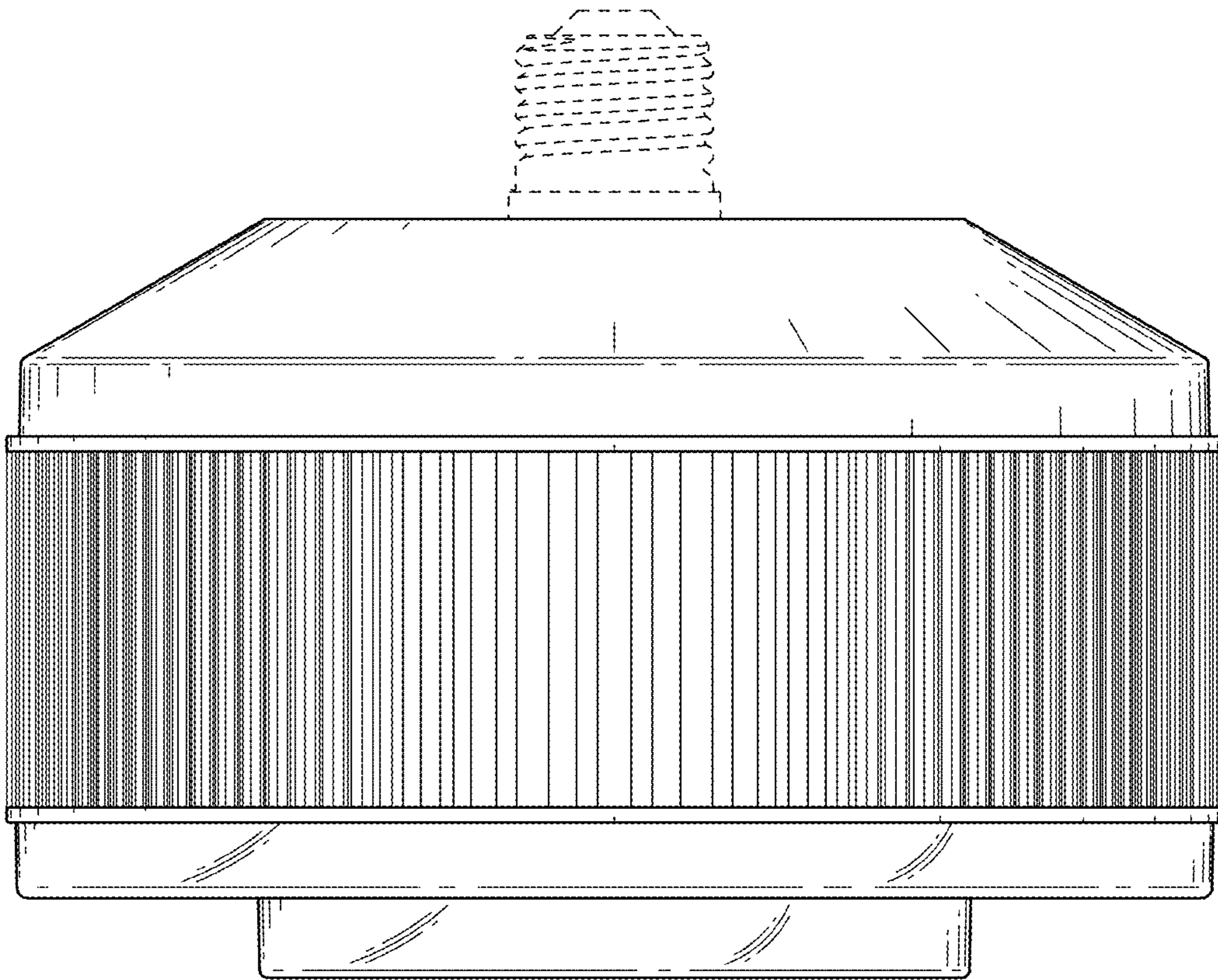


FIG. 5

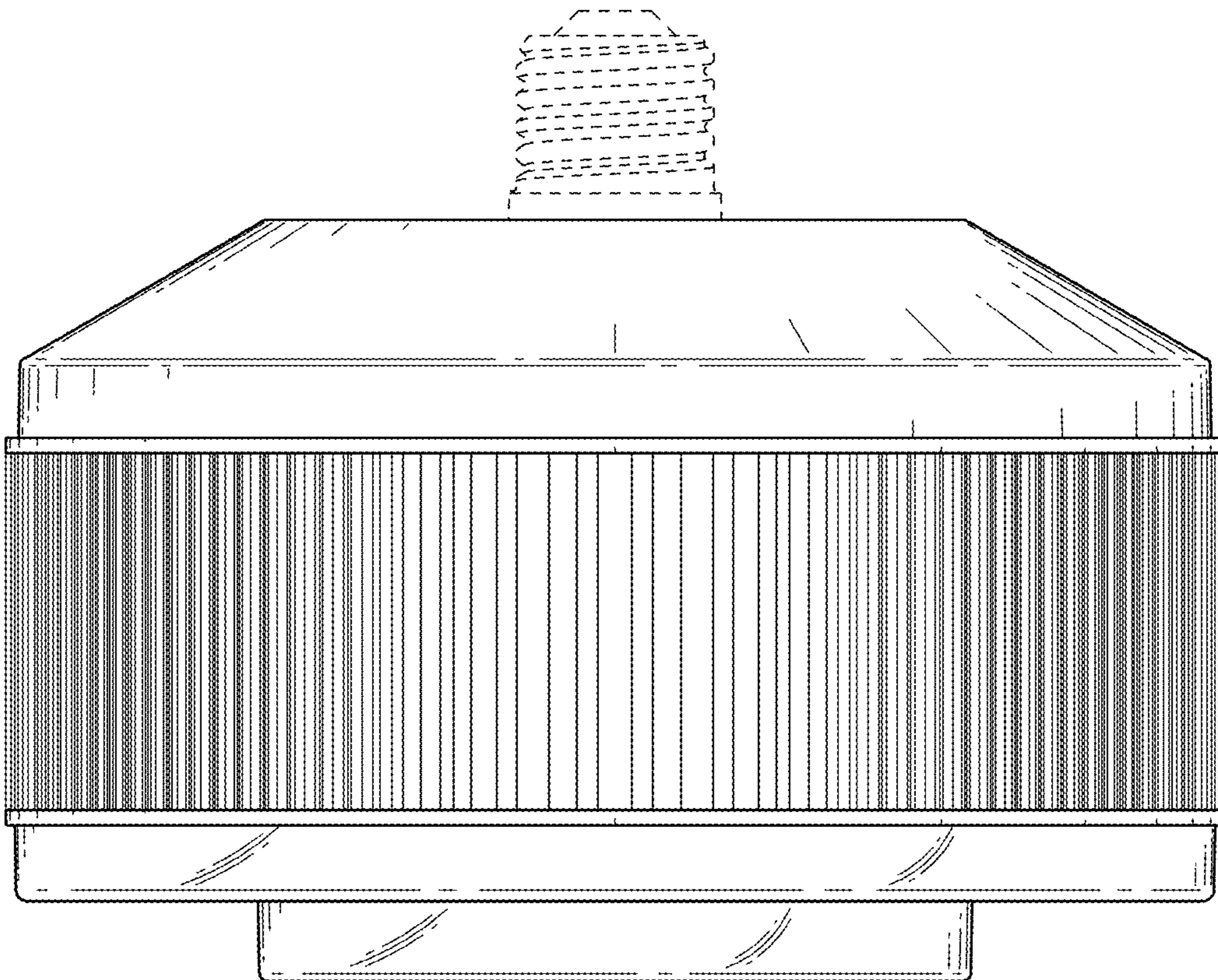


FIG. 6

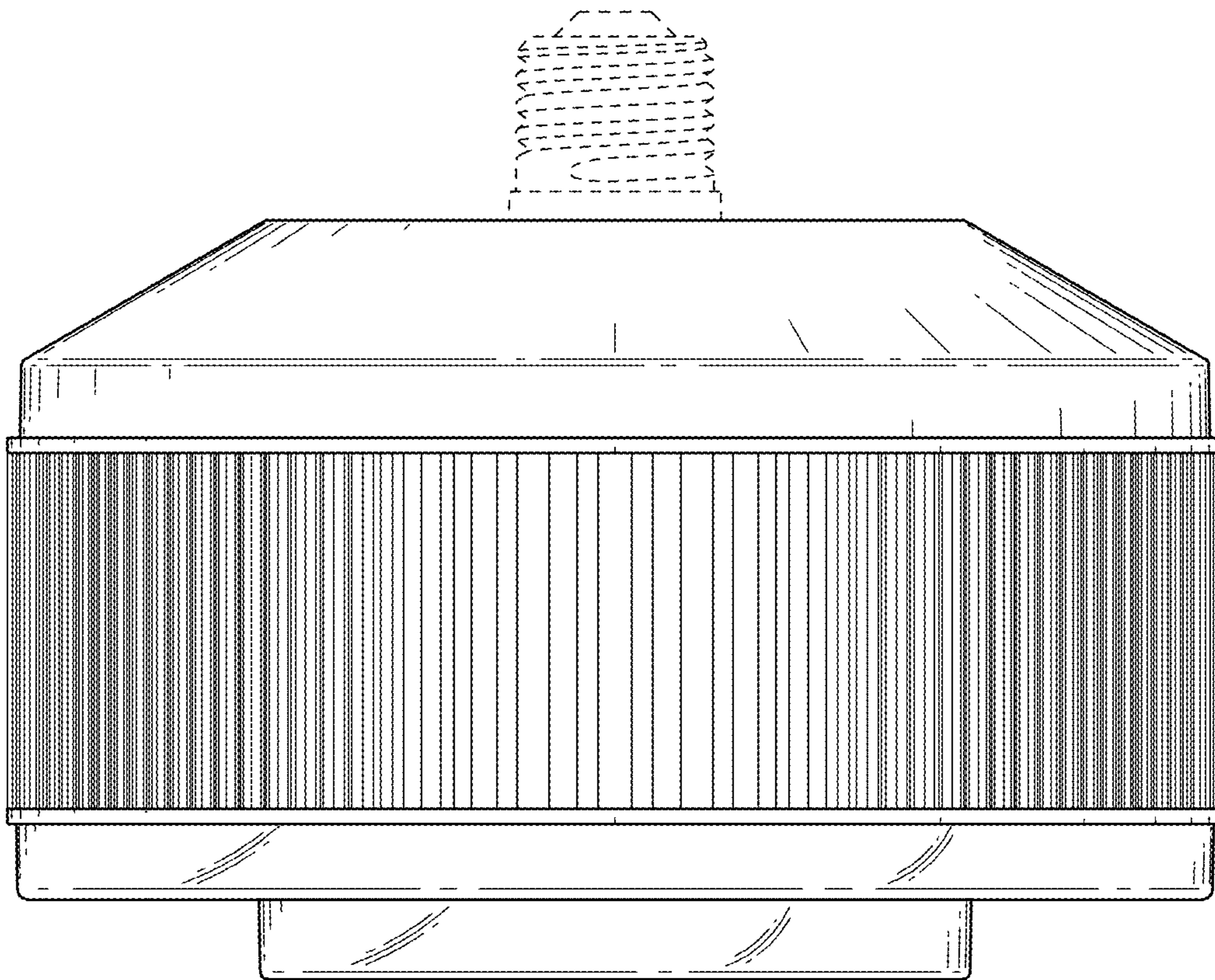


FIG. 7

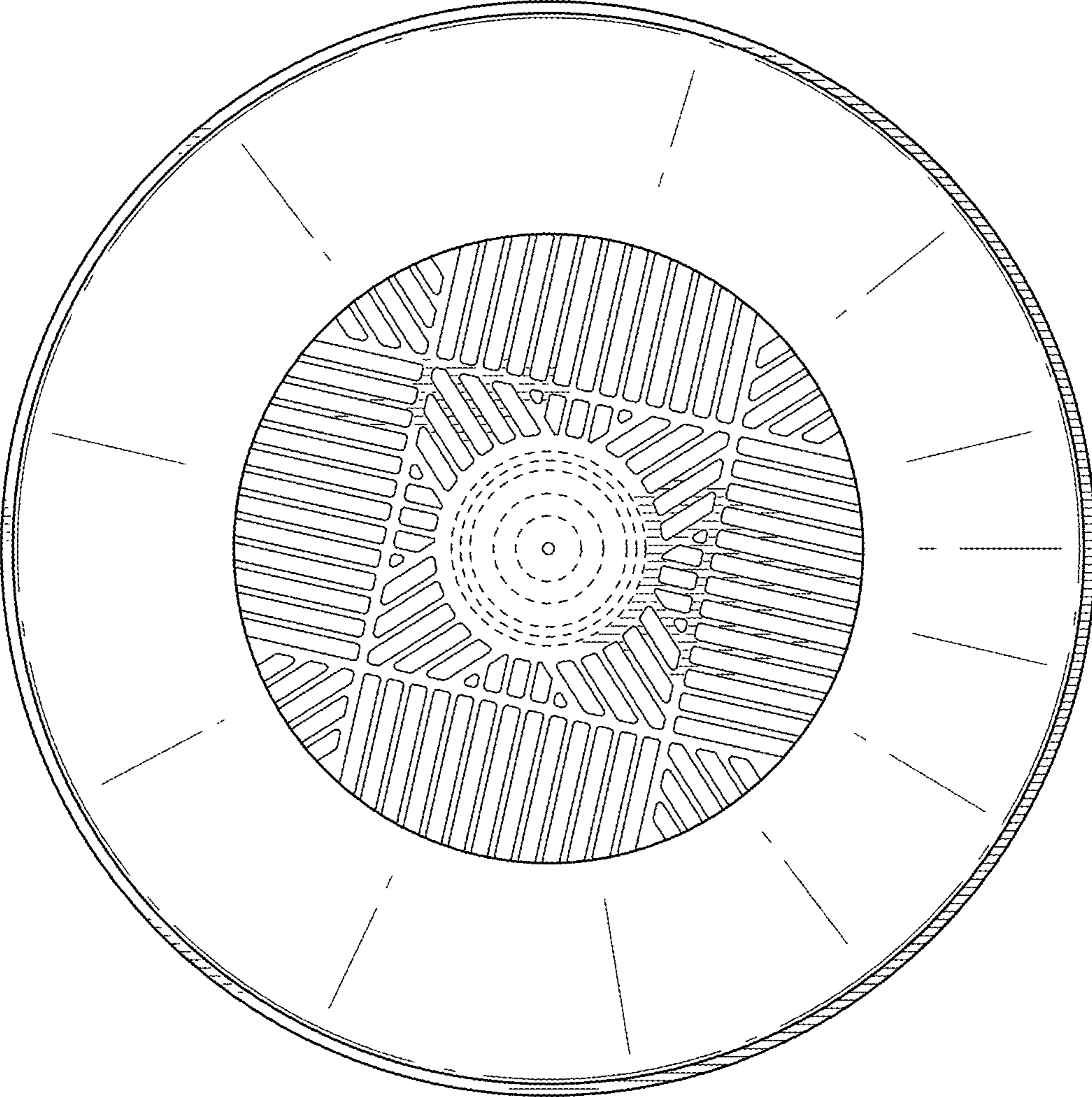




FIG. 8

