

US00D796082S

(12) **United States Design Patent** (10) **Patent No.:** **US D796,082 S**
Barnetson et al. (45) **Date of Patent:** **** Aug. 29, 2017**

- (54) **LED LAMP**
- (71) Applicant: **Lunera Lighting, Inc.**, Santa Clara, CA (US)
- (72) Inventors: **Donald Barnetson**, San Jose, CA (US); **George Xie**, San Jose, CA (US); **Brian Dougherty**, Berkeley, CA (US); **Thomas Quinn**, Los Altos Hills, CA (US)
- (73) Assignee: **LUNERA LIGHTING INC.**, Santa Clara, CA (US)

D582,578 S *	12/2008	Tsai	D26/2
D584,838 S *	1/2009	To	D26/2
D600,837 S *	9/2009	Grajcar	D26/2
D601,276 S *	9/2009	Grajcar	D26/2
D601,279 S *	9/2009	Ou	D26/2
D604,434 S *	11/2009	Wada	D26/2

* cited by examiner

Primary Examiner — Marcus Jackson
(74) *Attorney, Agent, or Firm* — Henry J. Cittone; Cittone & Chinta LLP

(**) Term: **15 Years**

(57) **CLAIM**

(21) Appl. No.: **29/561,642**

The ornamental design for a LED lamp, as described.

(22) Filed: **Apr. 18, 2016**

(51) **LOC (10) Cl.** **26-04**

(52) **U.S. Cl.**
USPC **D26/2**

DESCRIPTION

(58) **Field of Classification Search**
USPC D26/1-4; 313/313, 315, 316, 317, 318, 313/493; 315/52, 53, 56, 57, 58
CPC F21K 9/13; F21K 9/135; F21K 9/1375; H01R 5/00; H01R 13/46; H01R 31/048; H01R 31/02; H01J 5/00; H01J 5/16; H01J 5/48; H01J 5/50; H01J 15/00; H01J 19/54; F21V 5/00
See application file for complete search history.

FIG. 1 is a top perspective view of a LED lamp, showing our new design;
FIG. 2 is bottom perspective view thereof;
FIG. 3 is a front view thereof;
FIG. 4 is a right side view thereof;
FIG. 5 is a left side view thereof;
FIG. 6 is a back view thereof;
FIG. 7 is a top plan view thereof; and,
FIG. 8 is a bottom plan view thereof.
The broken line illustrations of environmental and other structures in the drawings are not part of the design sought to be patented. The shade lines in the drawings show contour and not surface ornamentation.

(56) **References Cited**

U.S. PATENT DOCUMENTS

D532,532 S *	11/2006	Maxik	D26/2
D566,300 S *	4/2008	Lo	D26/2

1 Claim, 8 Drawing Sheets

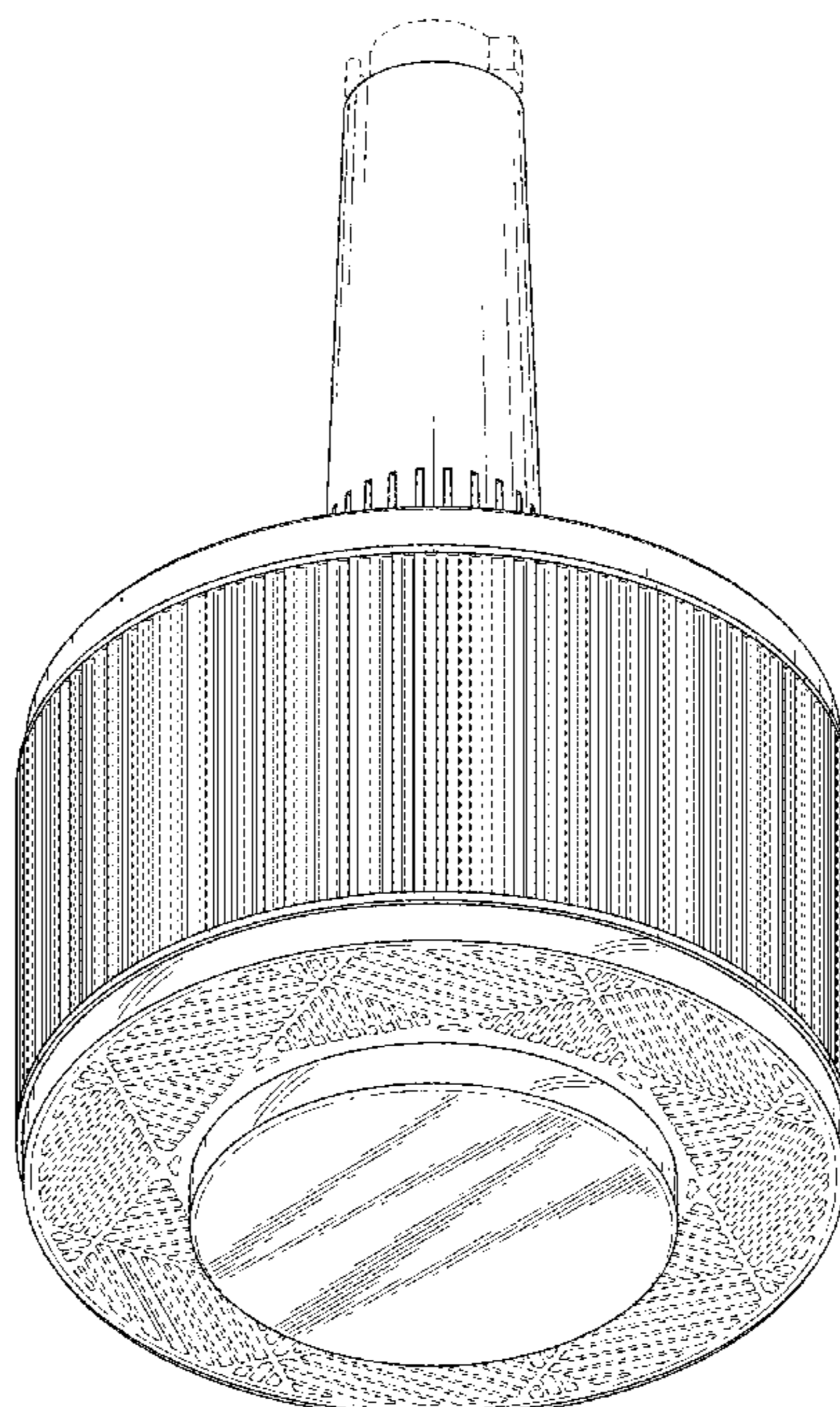


FIG. 1

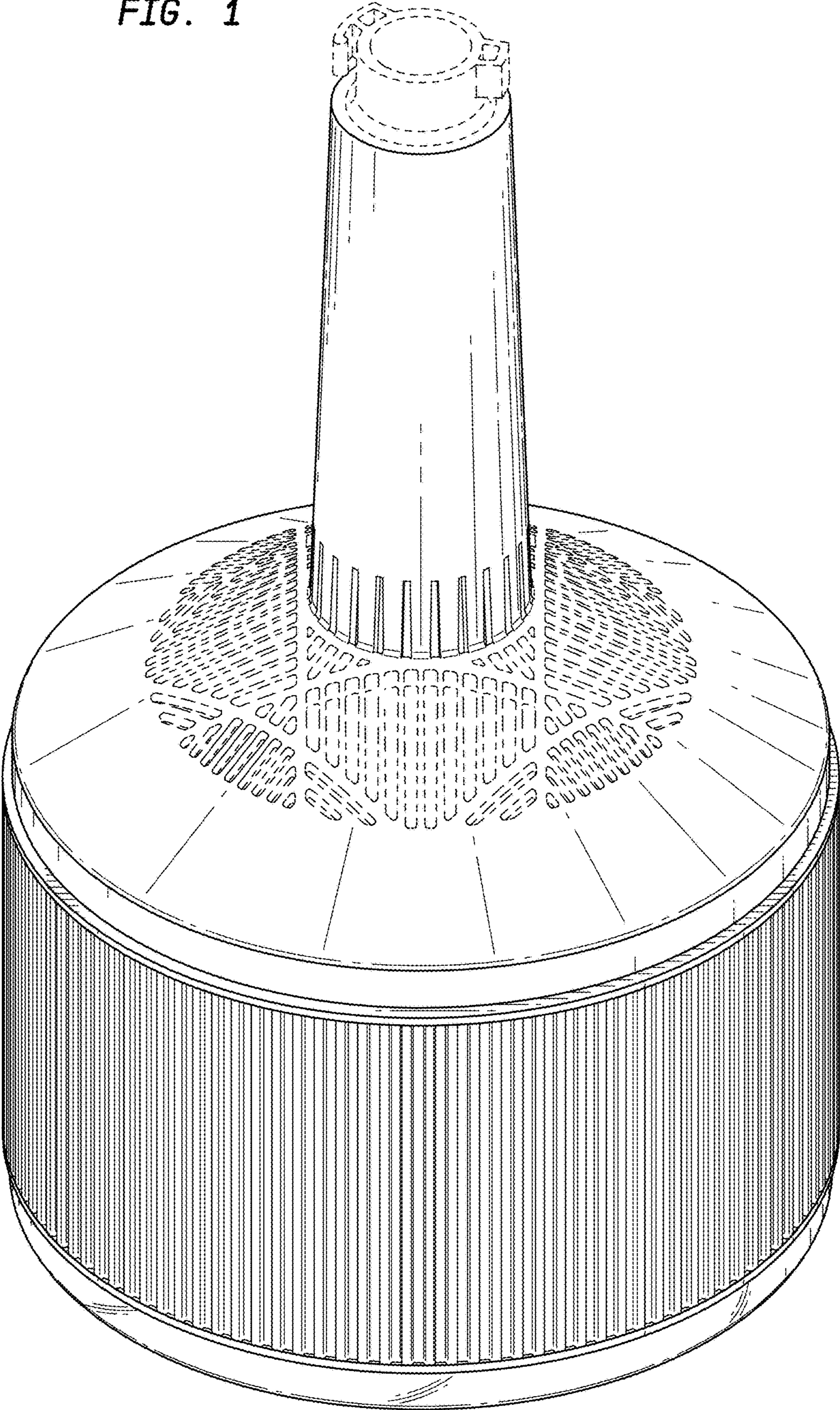


FIG. 2

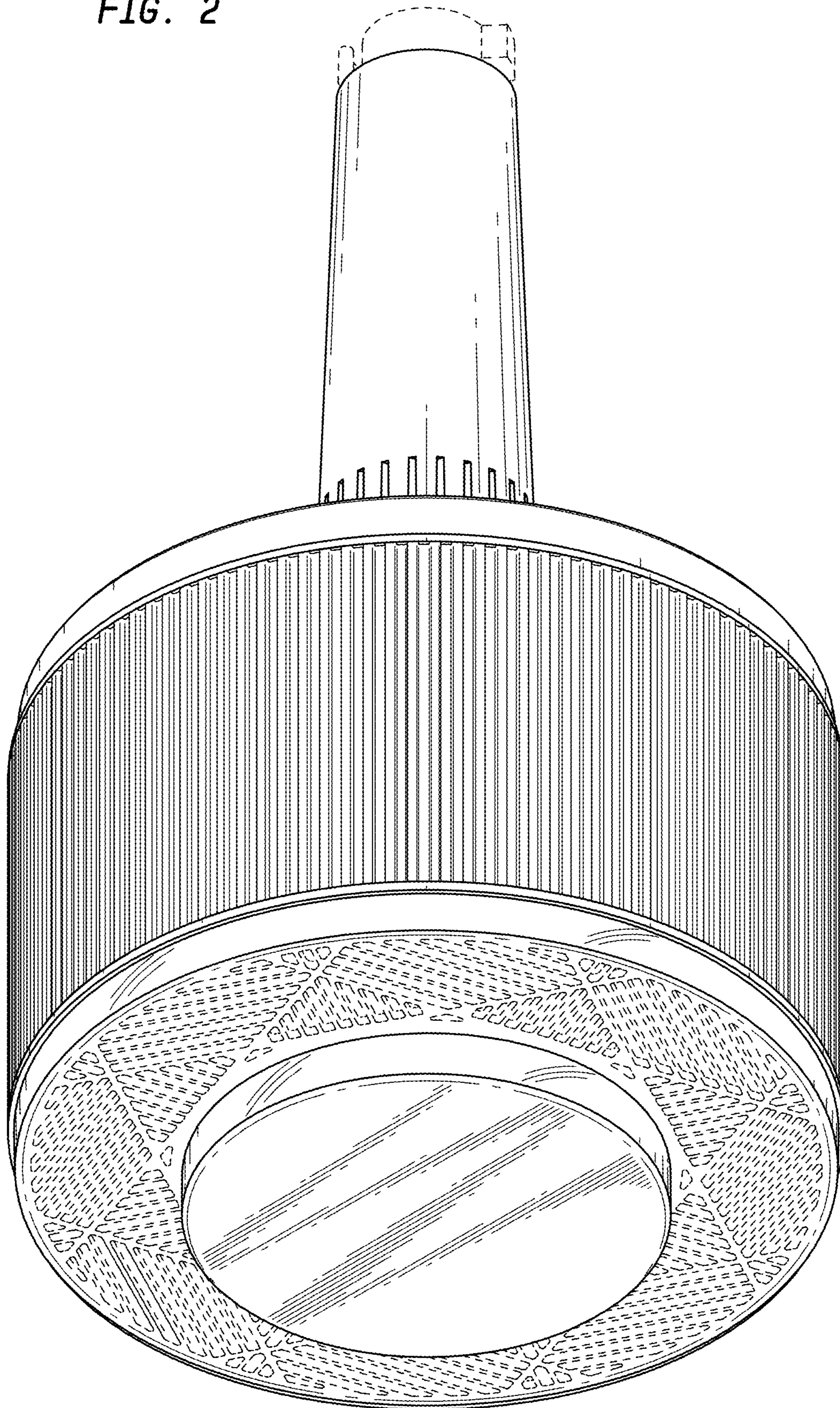


FIG. 3

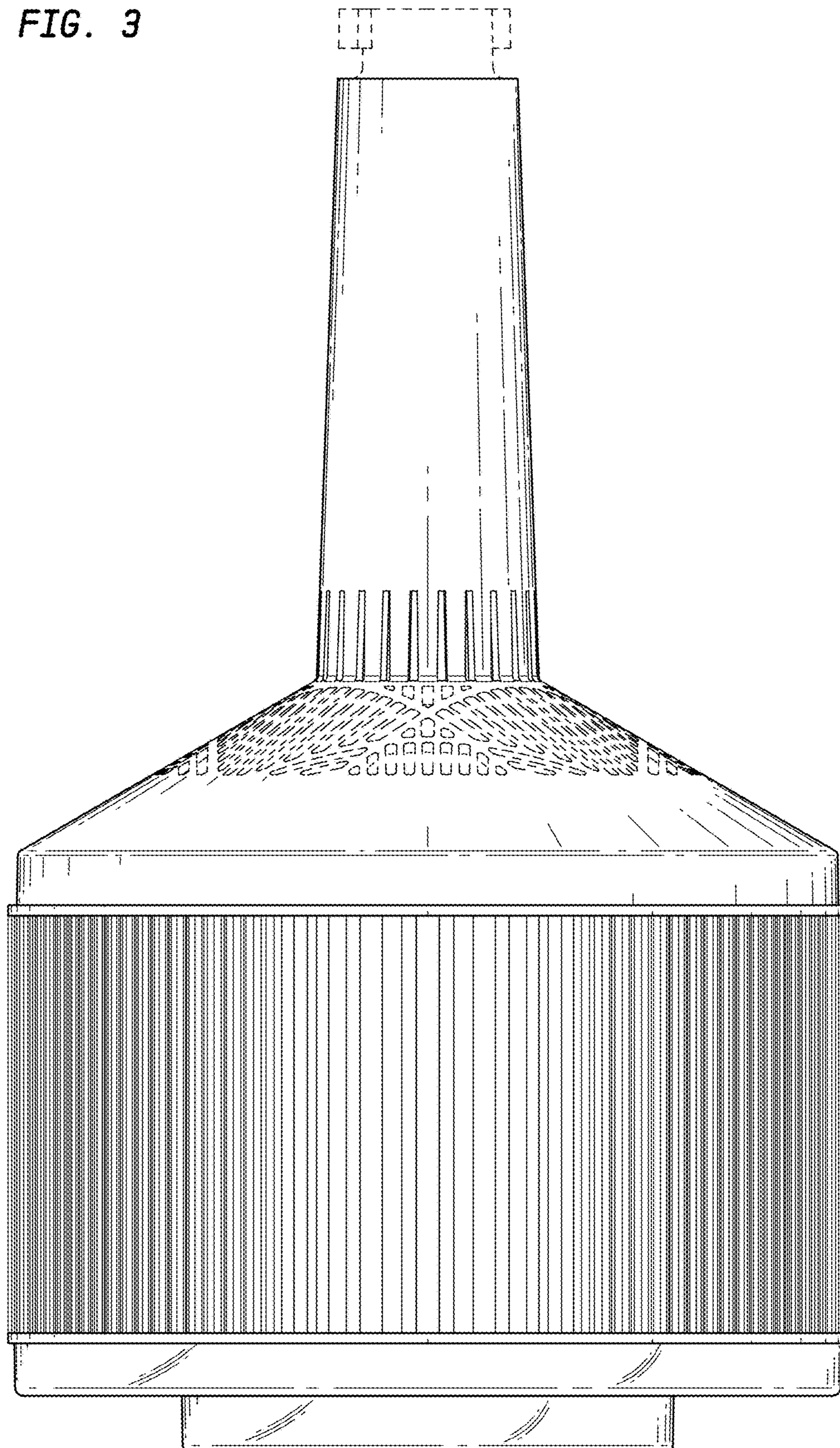


FIG. 4

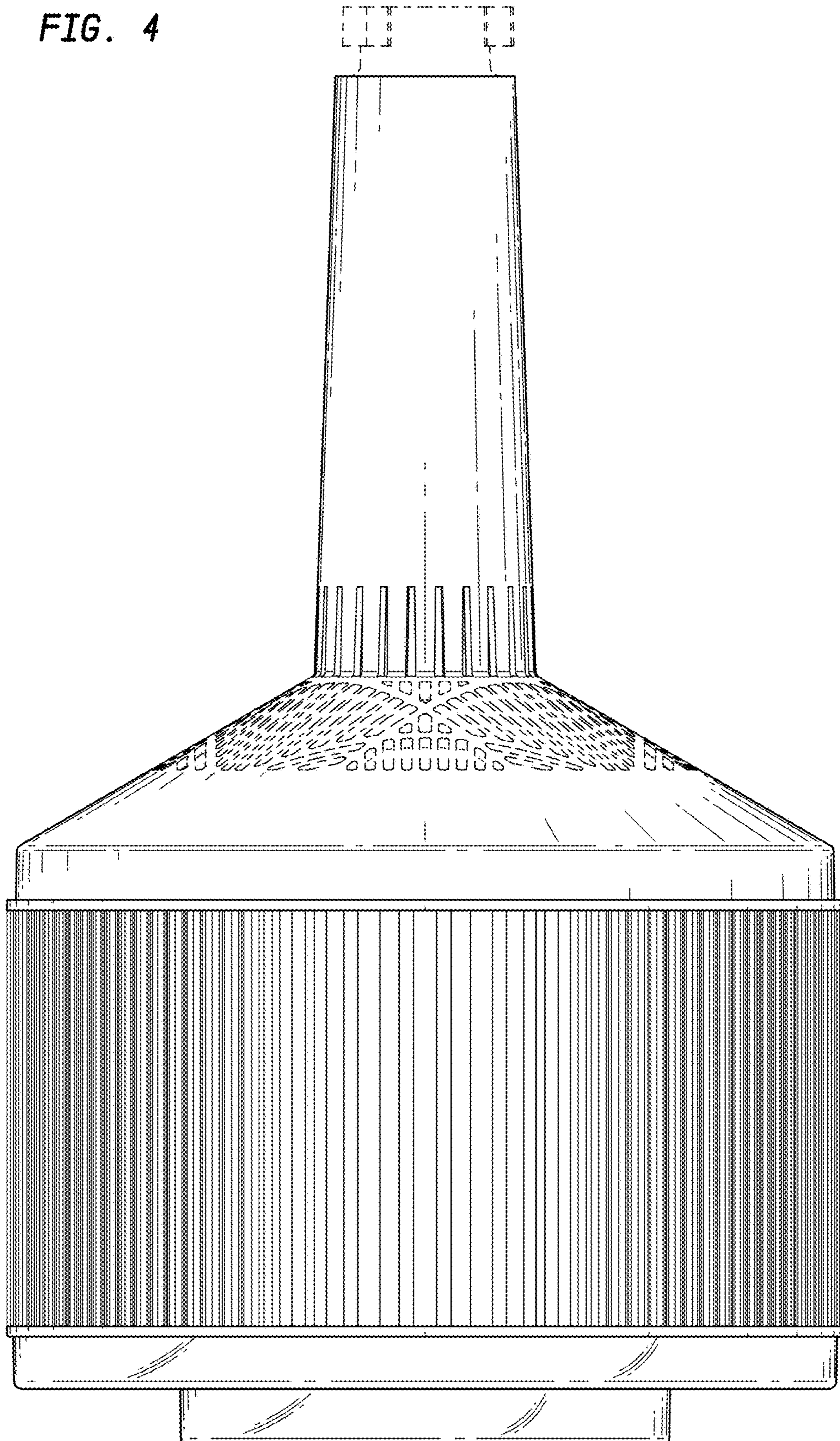


FIG. 5

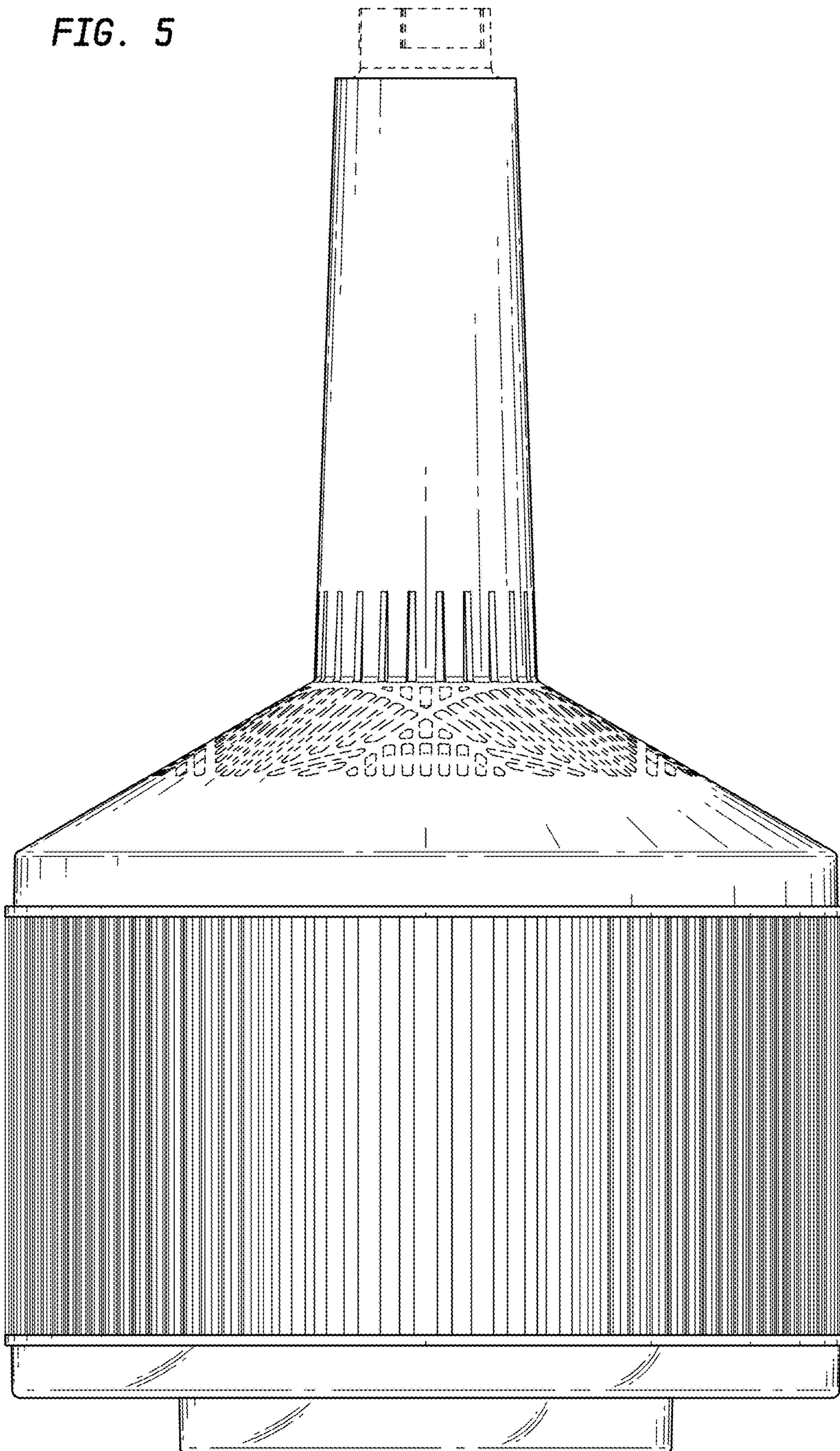


FIG. 6

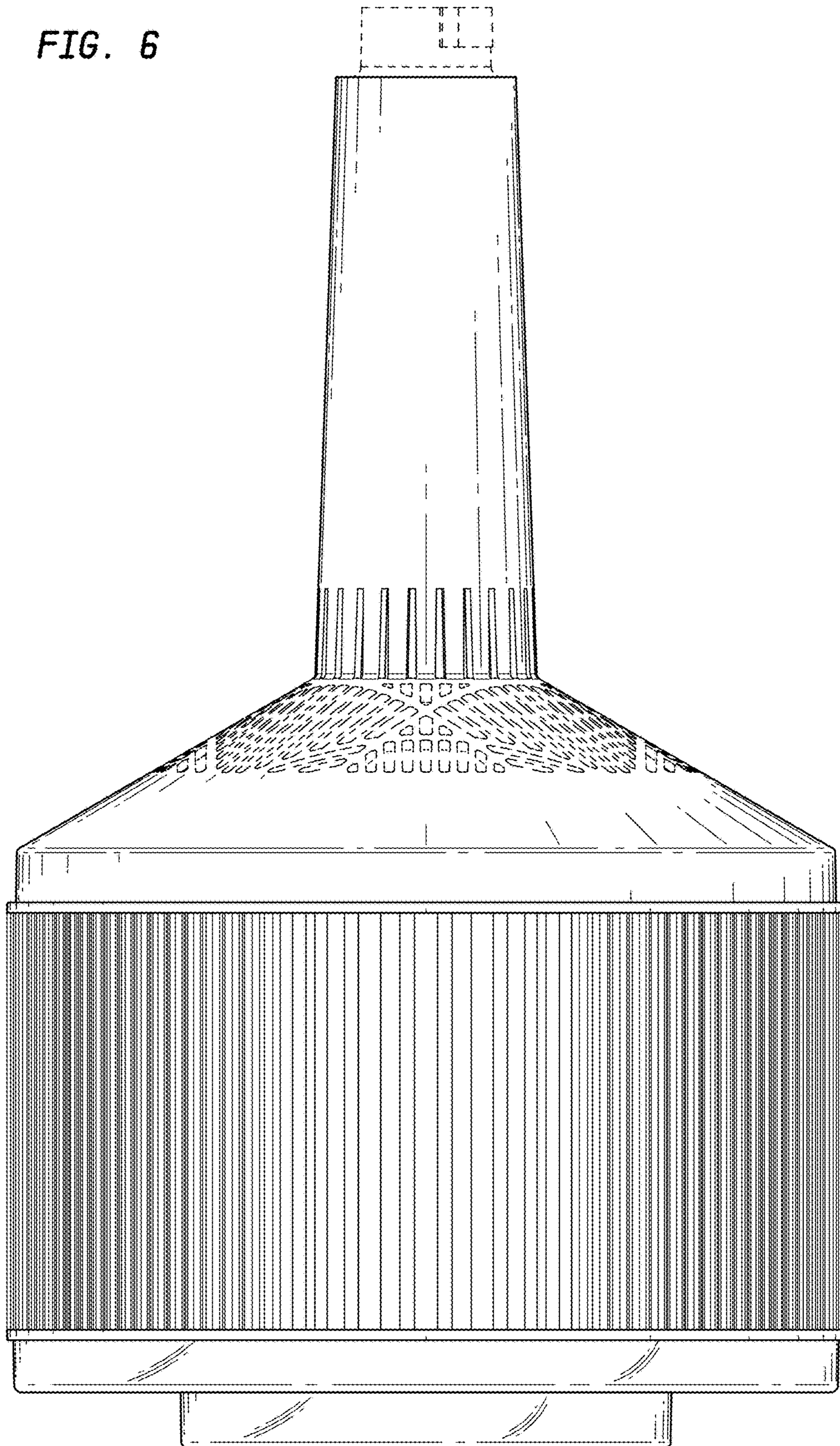


FIG. 7

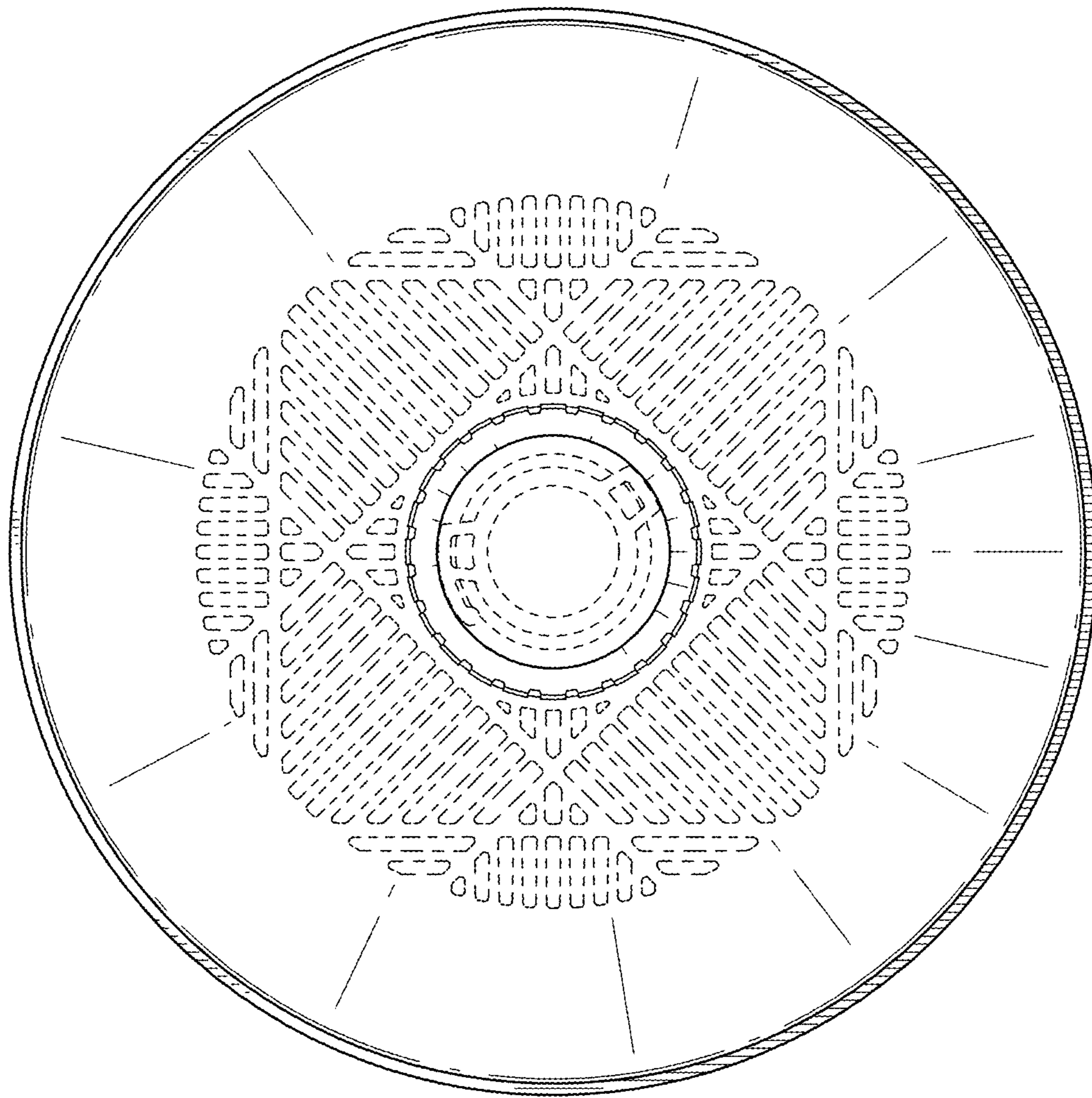


FIG. 8

