



US00D796076S

(12) **United States Design Patent**
Barnetson et al.

(10) **Patent No.:** **US D796,076 S**

(45) **Date of Patent:** **** Aug. 29, 2017**

(54) **HORIZONTAL LED LAMP**

(71) Applicant: **Lunera Lighting, Inc.**, Anaheim, CA (US)

(72) Inventors: **Don Barnetson**, San Jose, CA (US);
Daryl Cheim, San Jose, CA (US);
George Xie, San Jose, CA (US)

(73) Assignee: **LUNERA LIGHTING INC.**, Santa Clara, CA (US)

(**) Term: **14 Years**

(21) Appl. No.: **29/512,777**

(22) Filed: **Dec. 22, 2014**

(51) **LOC (10) Cl.** **26-04**

(52) **U.S. Cl.**
USPC **D26/2**

(58) **Field of Classification Search**
USPC D26/1-4; 313/313, 315, 316, 317, 318,
313/493; 315/52, 53, 56, 57, 58;
362/235

CPC F21K 9/135; F21K 9/13; F21V 29/506;
F21Y 2103/02; Y02B 20/386

See application file for complete search history.

(56) **References Cited**

U.S. PATENT DOCUMENTS

D219,716 S	1/1971	Grosso	
D317,657 S	6/1991	Iwata	
D334,990 S	4/1993	Sekiguchi	
5,688,042 A	11/1997	Madadi	
6,390,647 B1	5/2002	Shaefer	
D600,584 S *	9/2009	Lyons	D10/114.1
7,607,802 B2	10/2009	Kang	
7,635,205 B2	12/2009	Yu	
D615,935 S *	5/2010	An	D13/180
7,815,327 B2	10/2010	Shamshoian	
7,832,917 B2	11/2010	Chien	
D630,777 S *	1/2011	Lee	D13/180

D657,074 S *	4/2012	Chen	D26/1
D661,008 S *	5/2012	Yuan	D26/74
D667,568 S *	9/2012	Chen	D26/1
D667,801 S	9/2012	Joo	
D667,968 S *	9/2012	Shin	D26/1
8,354,781 B2	1/2013	Tessnow	
D684,281 S	6/2013	Rioux	
8,517,583 B2	8/2013	Wesson	
D697,877 S *	1/2014	Hsu	D13/180
D700,372 S *	2/2014	Altman	D14/435.1
8,651,691 B2	2/2014	Grajcar	
8,702,278 B2	4/2014	Wang	
D704,358 S	5/2014	Joo	
D708,360 S	7/2014	Shibata	

(Continued)

FOREIGN PATENT DOCUMENTS

CN 104566288 4/2015

Primary Examiner — Lakiya Rogers

Assistant Examiner — Harold E Blackwell, II

(74) *Attorney, Agent, or Firm* — Henry J. Cittone; Cittone & Chinta LLP

(57) **CLAIM**

The ornamental design for a horizontal LED lamp, as shown and described.

DESCRIPTION

FIG. 1 is a perspective view of a horizontal LED lamp showing our new design;

FIG. 2 is a left side view thereof;

FIG. 3 is a right side view thereof;

FIG. 4 is a back view thereof;

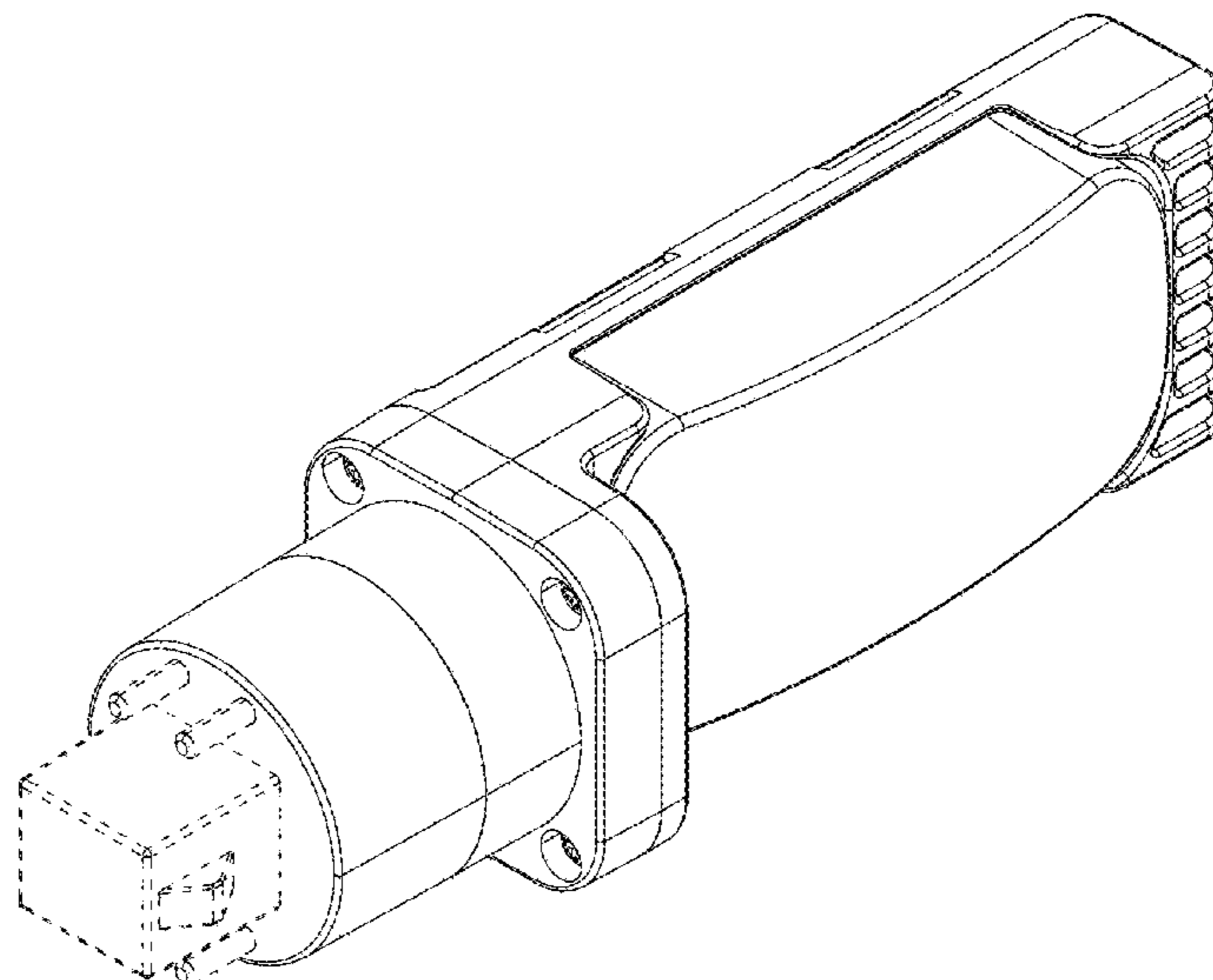
FIG. 5 is a front view thereof;

FIG. 6 is a top view thereof; and,

FIG. 7 is a bottom view thereof.

The broken lines in the drawings illustrate portions of a horizontal LED lamp which form no part of the claimed design.

1 Claim, 7 Drawing Sheets



(56)

References Cited

U.S. PATENT DOCUMENTS

D710,316 S * 8/2014 Ikeda D13/180
D718,726 S * 12/2014 Lo D13/180
9,243,757 B2 1/2016 Barnetson
2010/0271818 A1 10/2010 Smith
2014/0198500 A1 7/2014 Tessnow

* cited by examiner

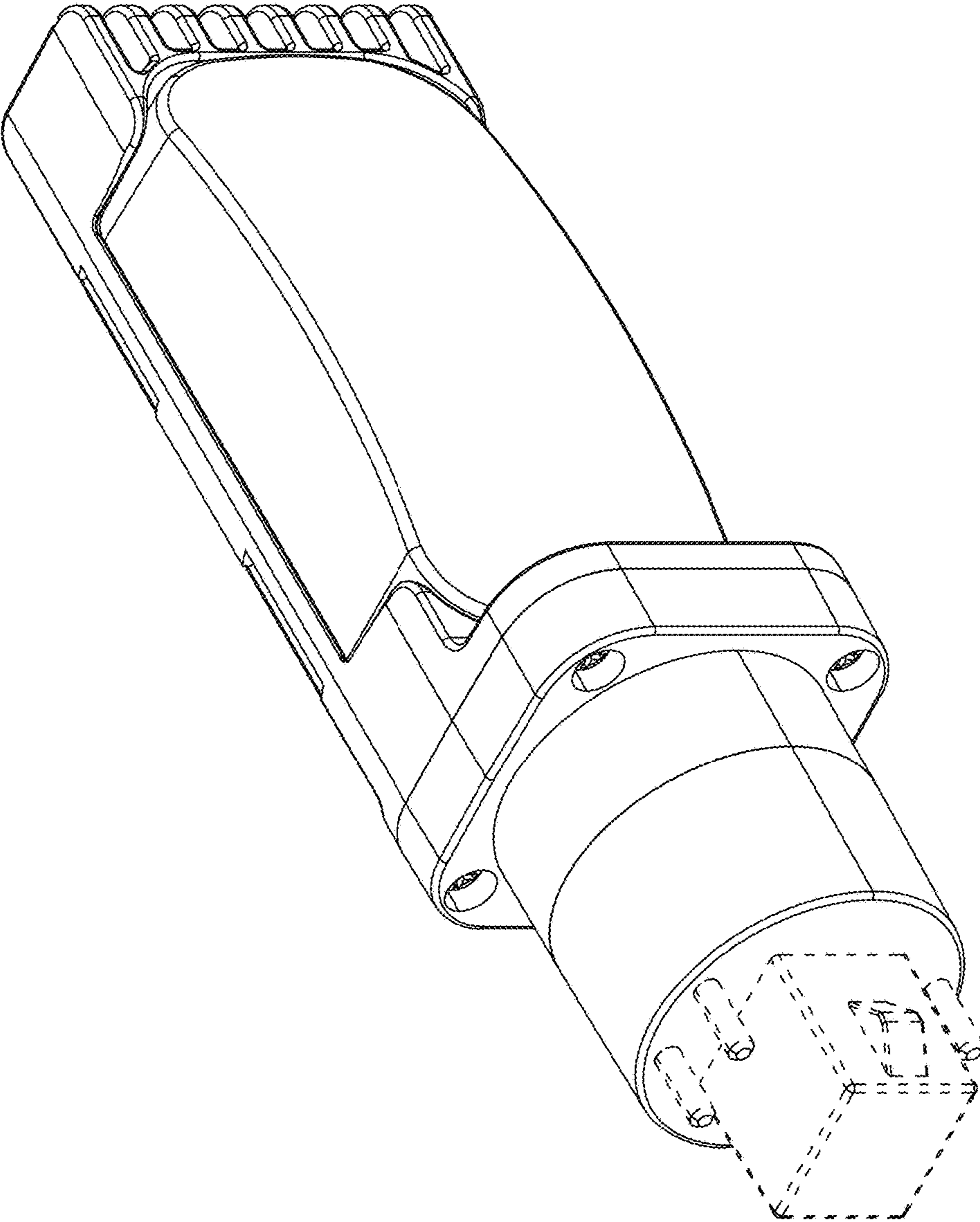


FIG. 1

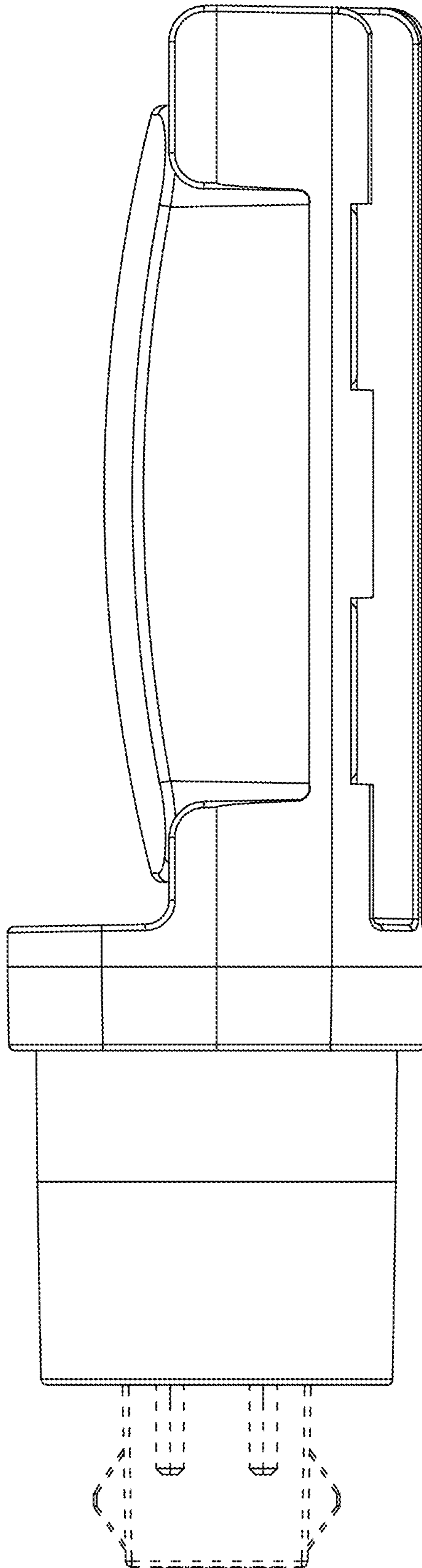


FIG. 2

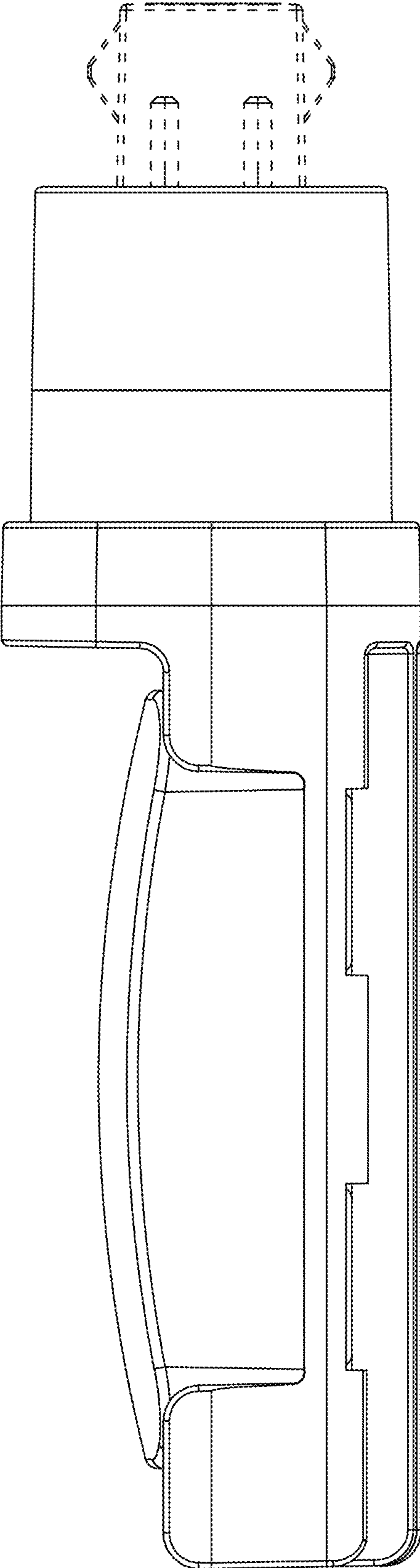


FIG. 3

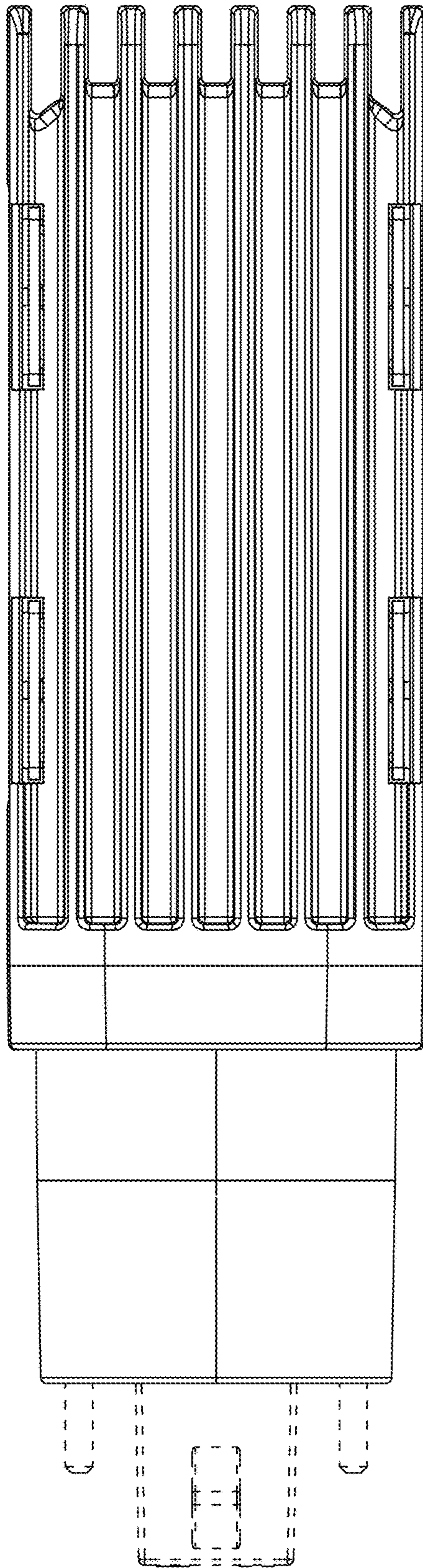


FIG. 4

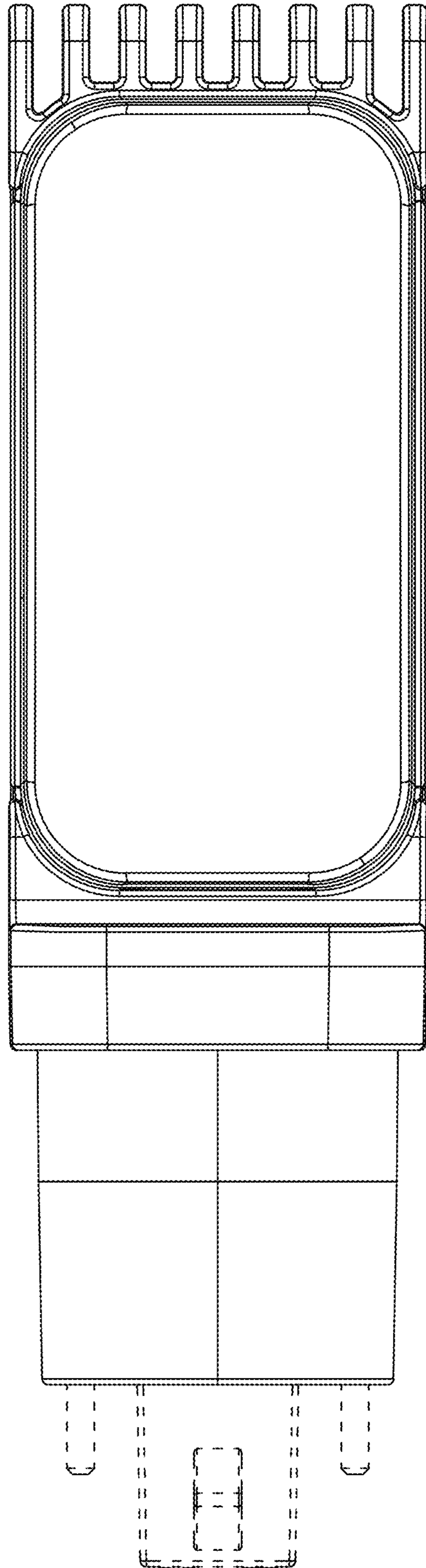


FIG. 5

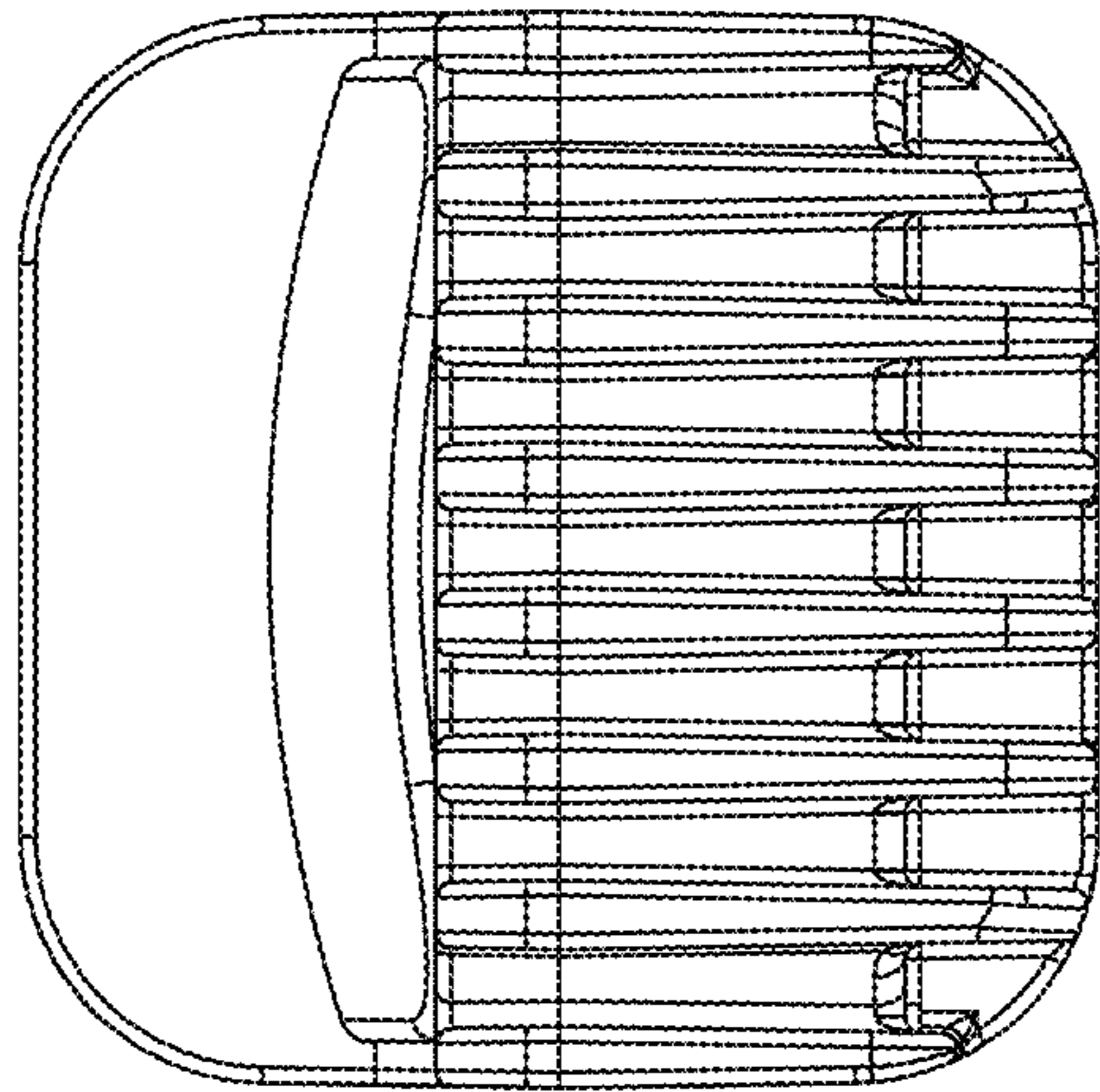


FIG. 6

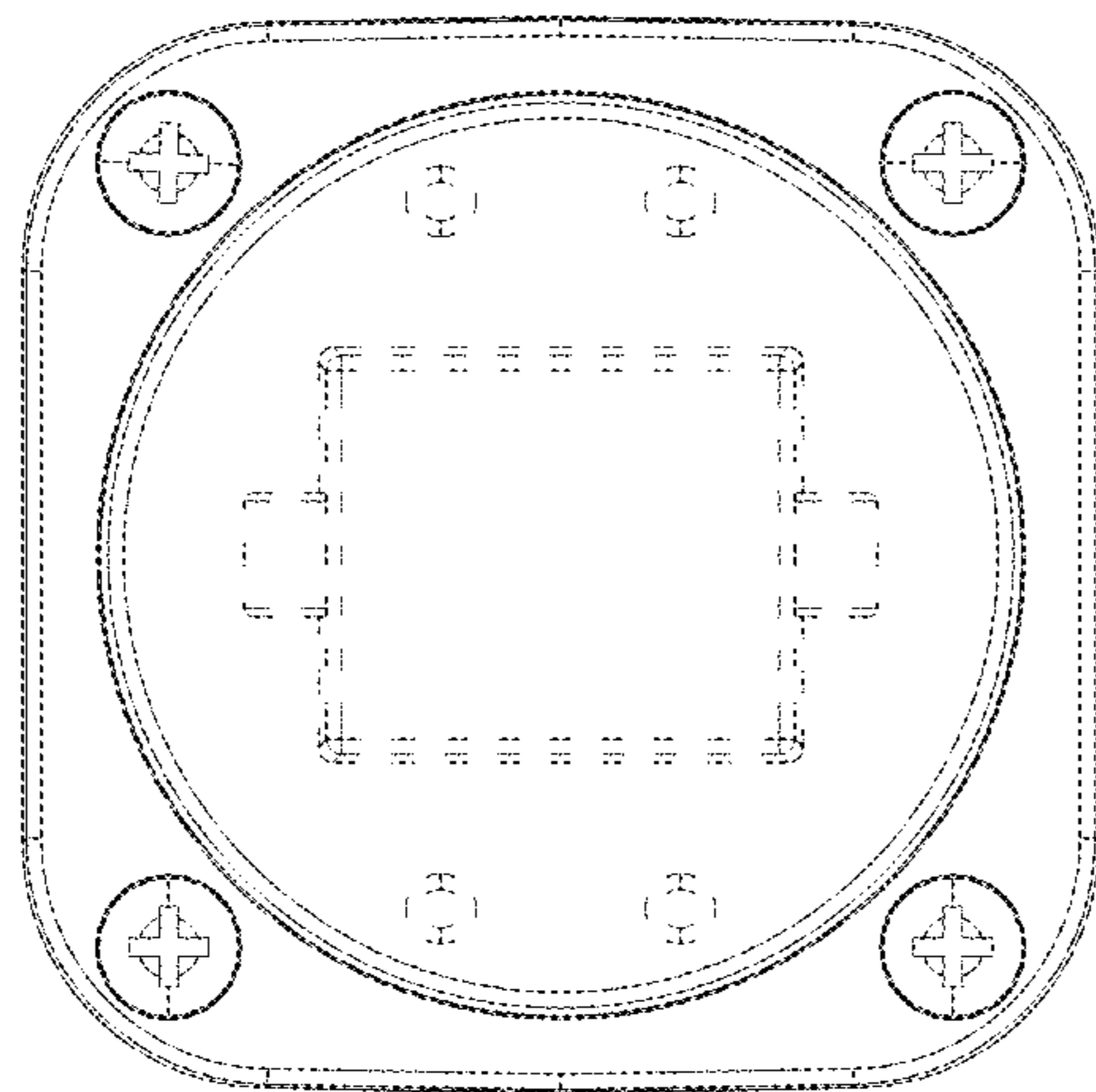


FIG. 7