



US00D796074S

(12) **United States Design Patent**
Bond

(10) **Patent No.:** **US D796,074 S**

(45) **Date of Patent:** **** Aug. 29, 2017**

(54) **ROOF PIPE FLASHING**

(71) Applicant: **William Ralph Bond**, Manassas, VA
(US)

(72) Inventor: **William Ralph Bond**, Manassas, VA
(US)

(**) Term: **15 Years**

(21) Appl. No.: **29/505,234**

(22) Filed: **Aug. 5, 2015**

(51) **LOC (10) Cl.** **25-99**

(52) **U.S. Cl.**
USPC **D25/199**

(58) **Field of Classification Search**
USPC D25/199; D23/259, 260
CPC E04D 1/36; E04D 13/00; E04D 13/0409;
E04D 13/14; E04D 13/1407; E04D
13/1415; E04D 13/143; E04D 13/147;
E04D 13/1471; E04D 13/1476; E04D
13/20; F24F 7/02; F24F 13/20
See application file for complete search history.

(56) **References Cited**

U.S. PATENT DOCUMENTS

897,995	A *	9/1908	Norgrave	E04D 13/1471	285/44
1,103,666	A *	7/1914	Fife	E04D 13/1476	285/13
1,693,410	A *	11/1928	Stephenson	E04D 13/1471	285/44
3,602,530	A *	8/1971	Elwart	E04D 13/1471	285/4
3,731,952	A *	5/1973	Elwart	E04D 13/1476	285/3
4,526,407	A *	7/1985	Kifer	E04D 13/1476	264/273
4,563,847	A *	1/1986	Hasty	E04D 13/1476	285/4

4,768,812	A *	9/1988	Katz	E04D 13/1476	285/43
4,864,782	A *	9/1989	Hasty	E04D 13/1471	285/42
5,222,334	A *	6/1993	Hasty	E04D 13/1476	285/4
5,588,267	A *	12/1996	Rodriguez	E04D 13/1476	285/4
5,647,178	A *	7/1997	Cline	E04D 13/1476	285/43
D615,219	S *	5/2010	Sorkin	D25/199	
D662,230	S *	6/2012	Cline	D25/199	

(Continued)

Primary Examiner — Vy Koenig

Assistant Examiner — Kimberly Barnes

(74) *Attorney, Agent, or Firm* — Palmer C. DeMeo;
Palmer Patent Consultants, LLC

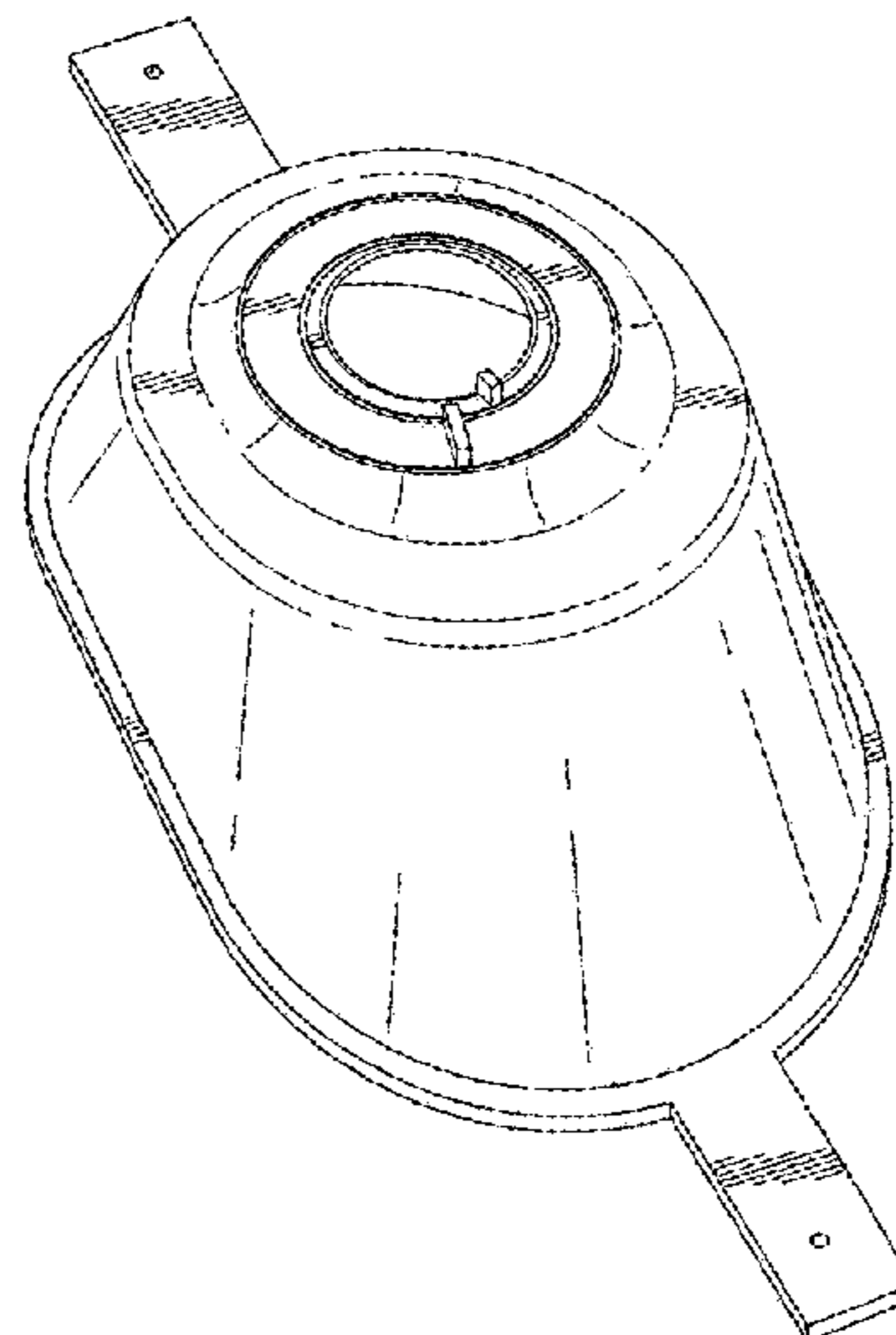
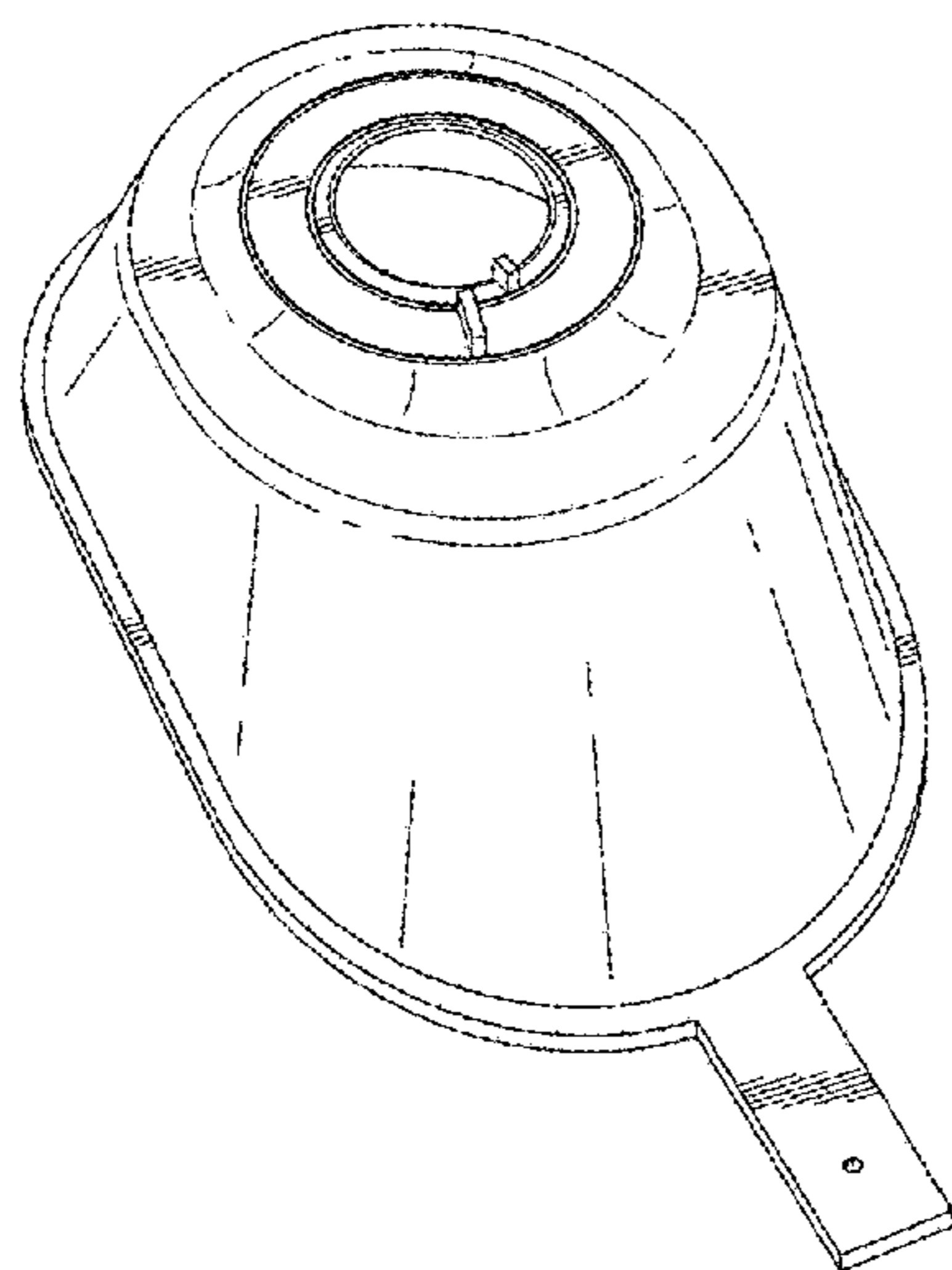
(57) **CLAIM**

I claim the ornamental design for a roof pipe flashing, as shown and described.

DESCRIPTION

FIG. 1 is a perspective view of the roof pipe flashing showing my new design;
 FIG. 2 is a top plan view thereof;
 FIG. 3 is a bottom plan view thereof;
 FIG. 4 is a front elevational view thereof;
 FIG. 5 is a rear elevational view thereof;
 FIG. 6 is a left side elevational view thereof;
 FIG. 7 is a right side elevational view thereof;
 FIG. 8 is a perspective view of the roof pipe flashing for a second embodiment of my new design;
 FIG. 9 is a top plan view thereof;
 FIG. 10 is bottom plan view thereof;
 FIG. 11 is a front elevational view thereof;
 FIG. 12 is a rear elevational view thereof;
 FIG. 13 is a left side elevational view thereof; and,
 FIG. 14 is a right side elevational view thereof.

1 Claim, 8 Drawing Sheets



(56)

References Cited

U.S. PATENT DOCUMENTS

8,453,389 B2 * 6/2013 Selke E04D 13/1476
52/58
9,169,648 B1 * 10/2015 Mills E04D 13/1476
9,228,689 B1 * 1/2016 Cline E04G 23/0214
9,328,514 B1 * 5/2016 Thompson F23J 13/04
9,422,724 B2 * 8/2016 Saikkonen F16J 15/02
2012/0228863 A1 * 9/2012 Coleman E04D 13/1476
285/42
2013/0020796 A1 * 1/2013 Humber E04D 13/1476
285/44
2013/0328300 A1 * 12/2013 Bond B26D 3/00
285/42
2017/0030082 A1 * 2/2017 Saikkonen E04B 1/64

* cited by examiner

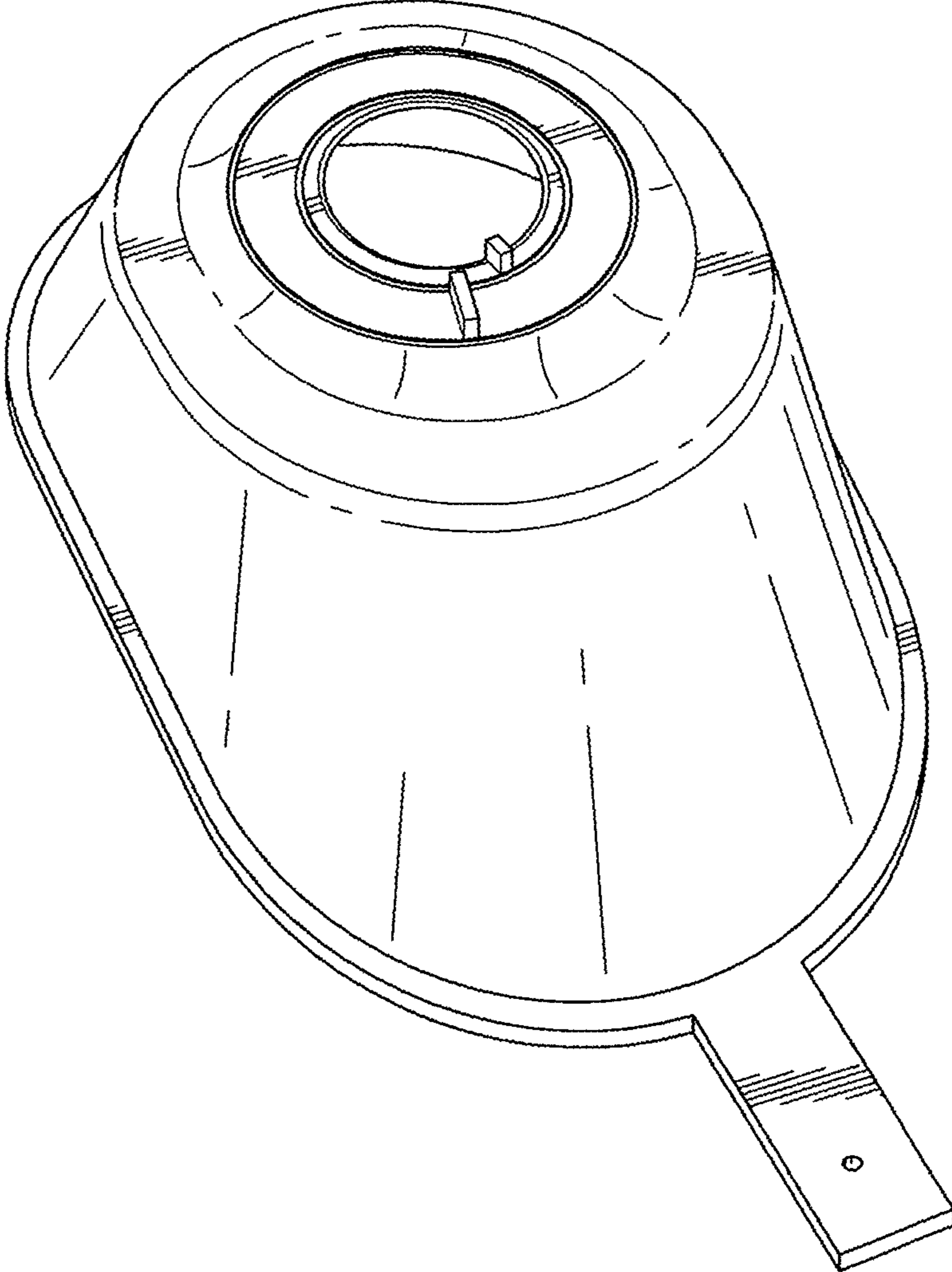


FIG. 1

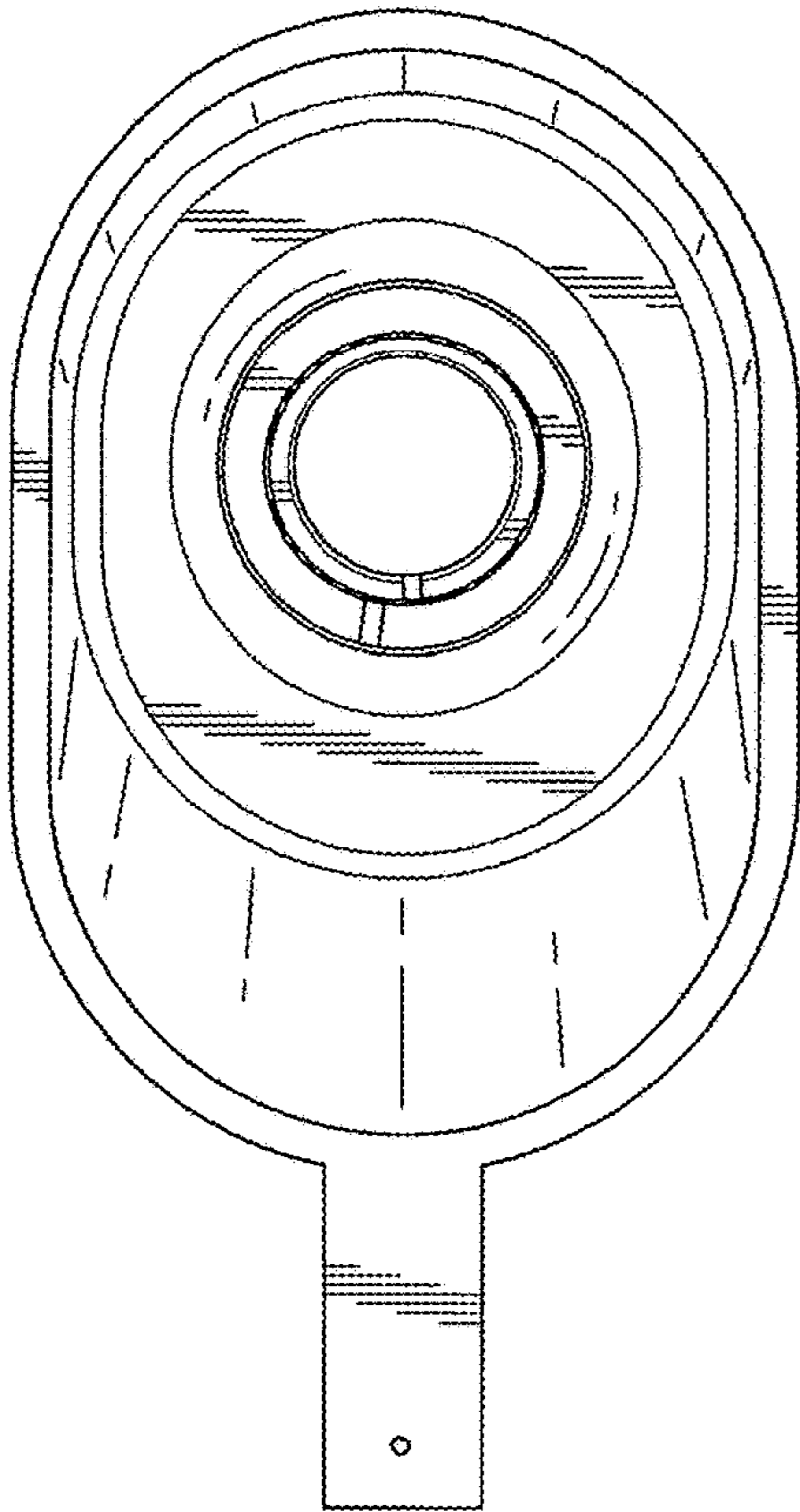


FIG. 2

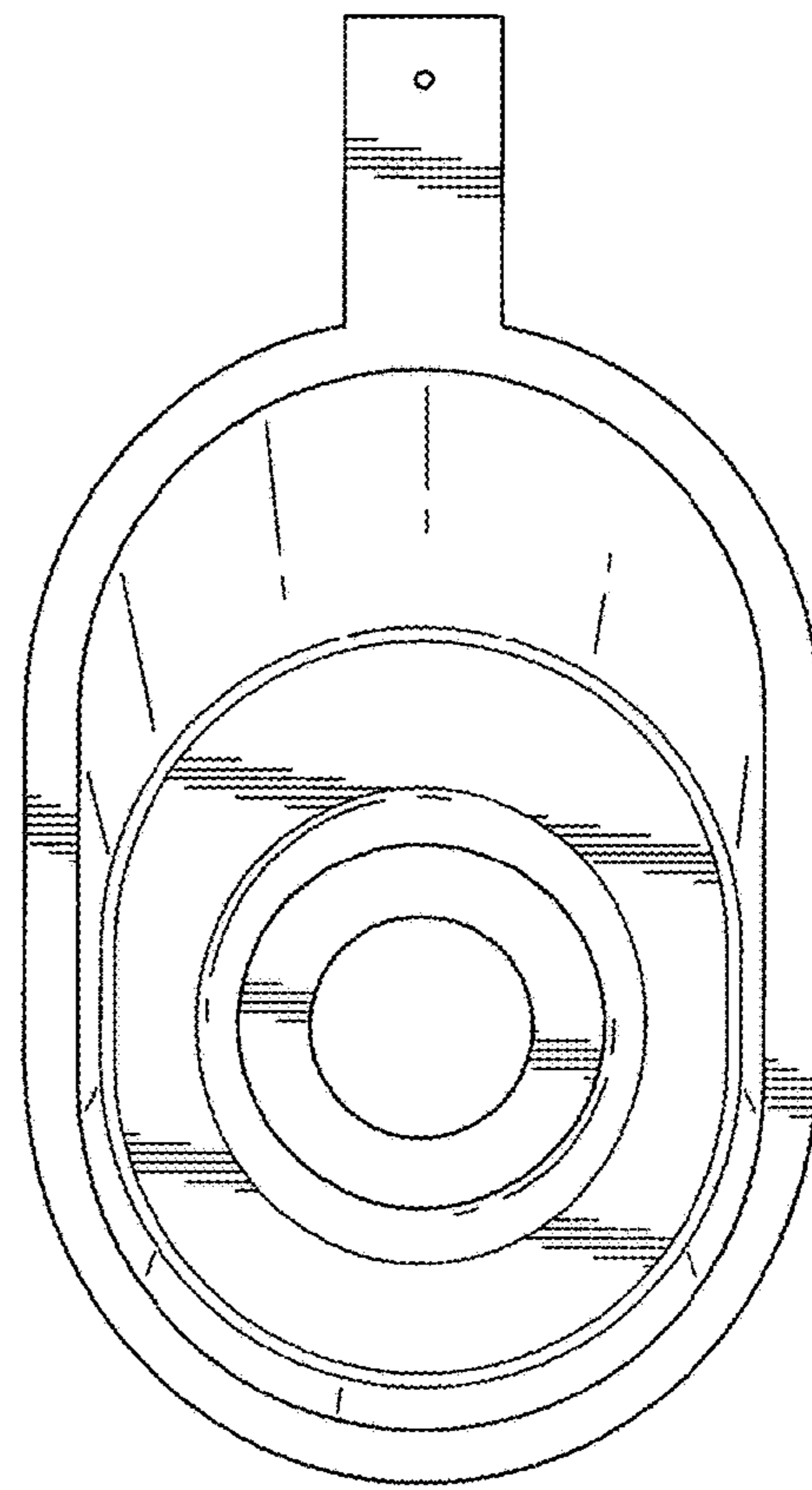


FIG. 3

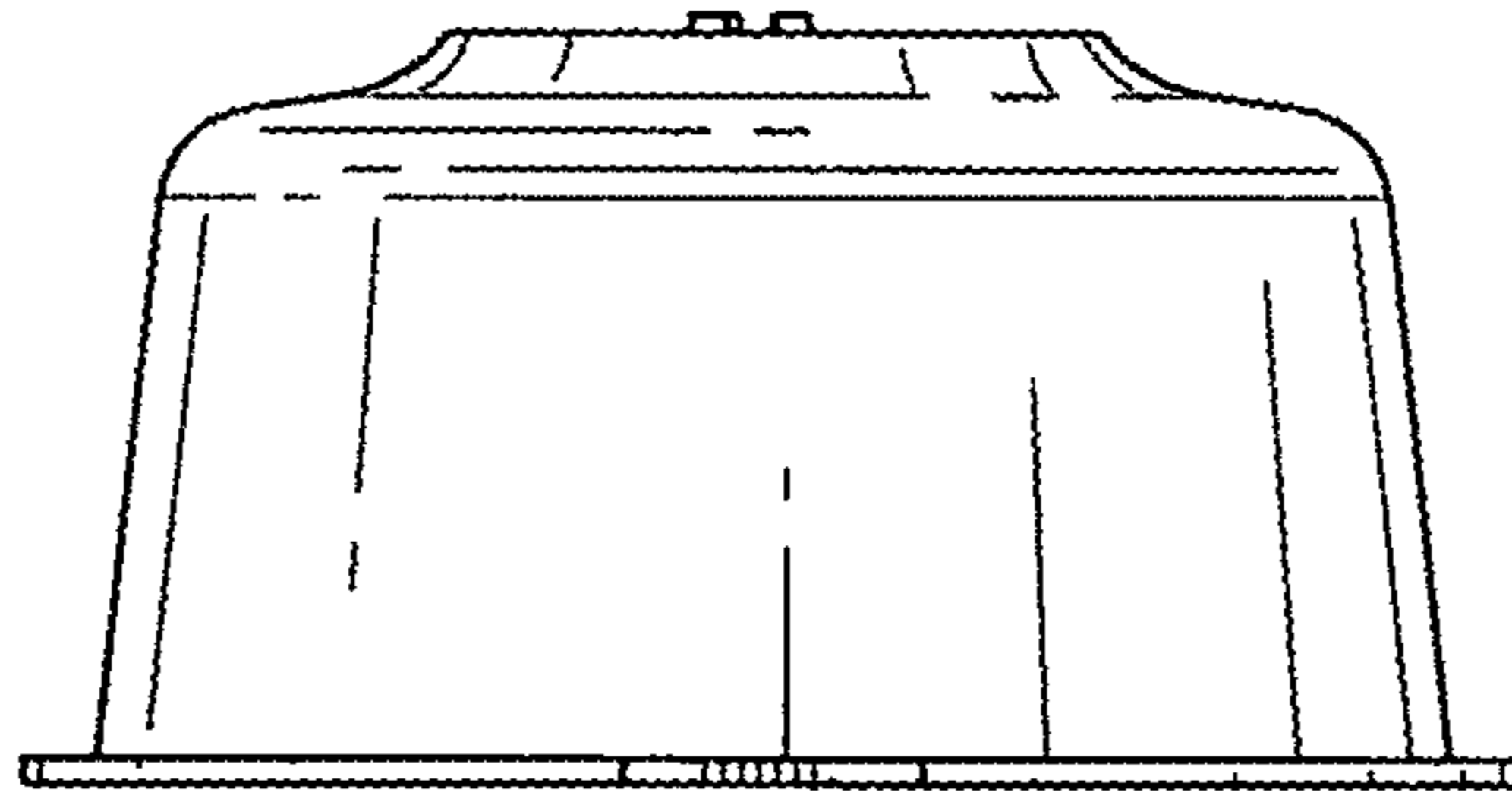


FIG. 4

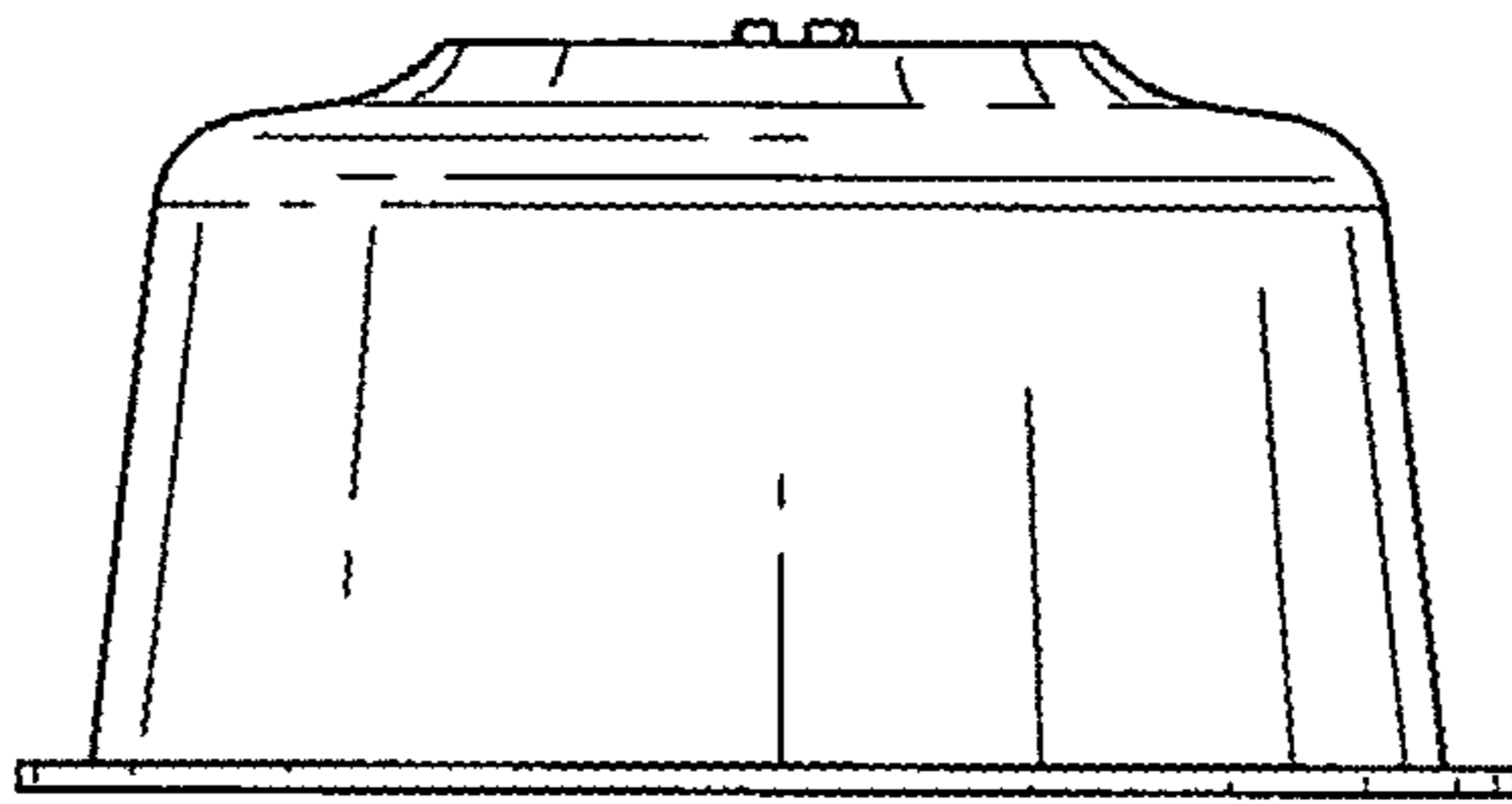


FIG. 5

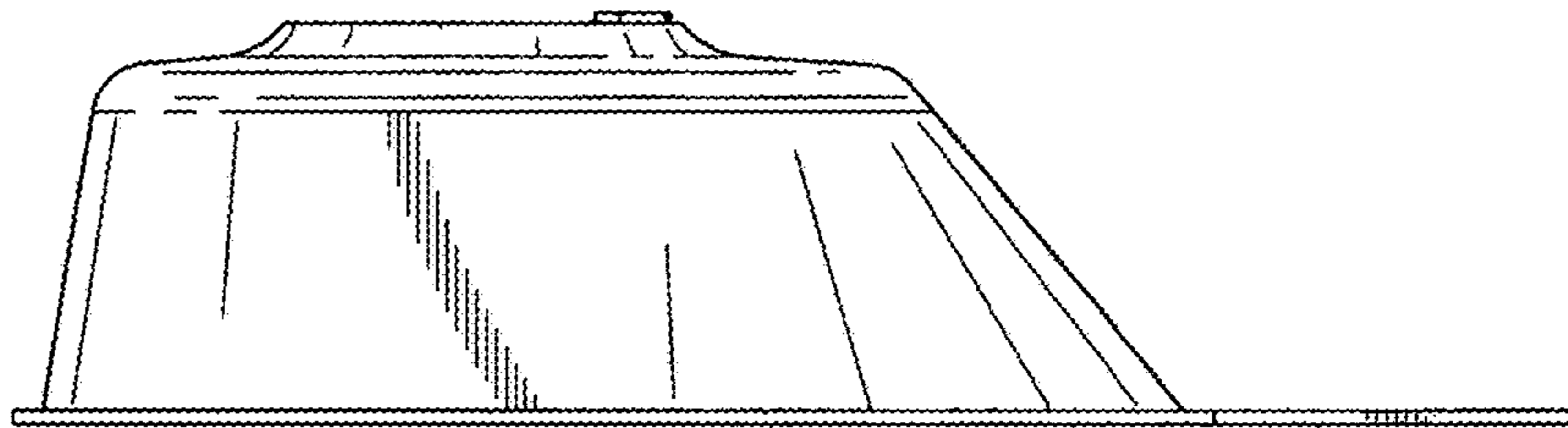


FIG. 6

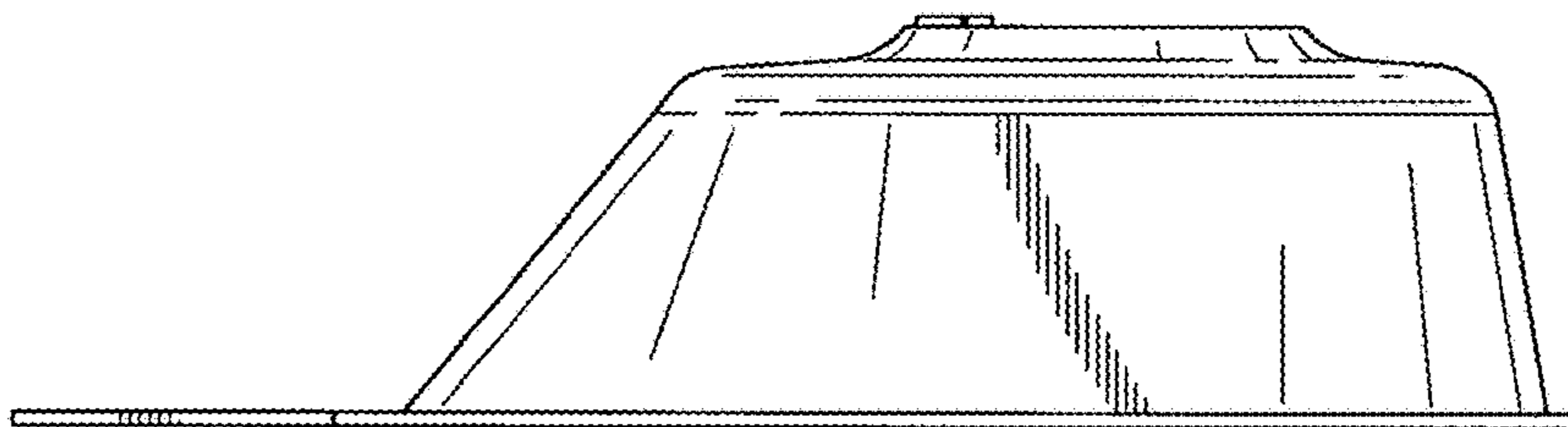


FIG. 7

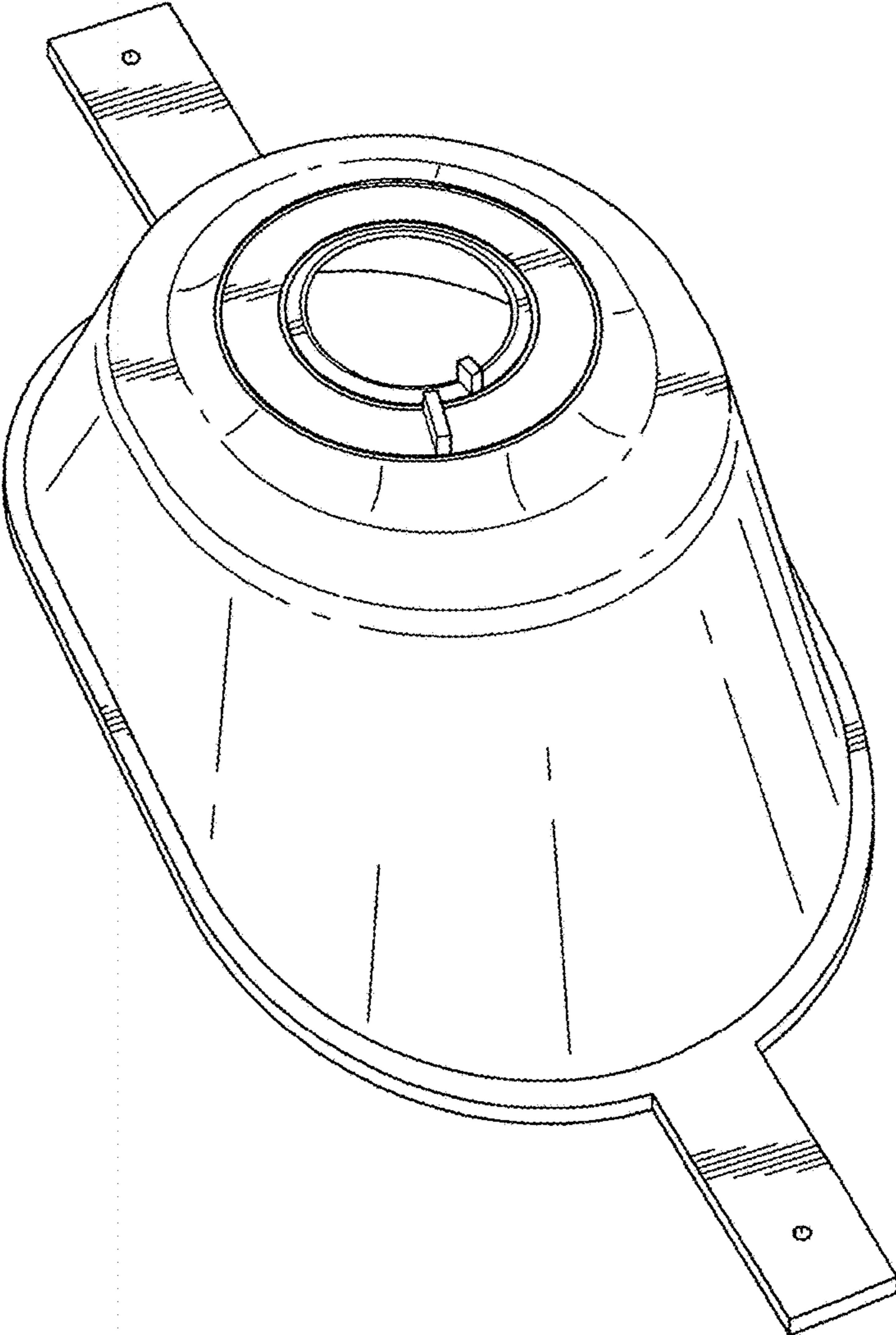


FIG. 8

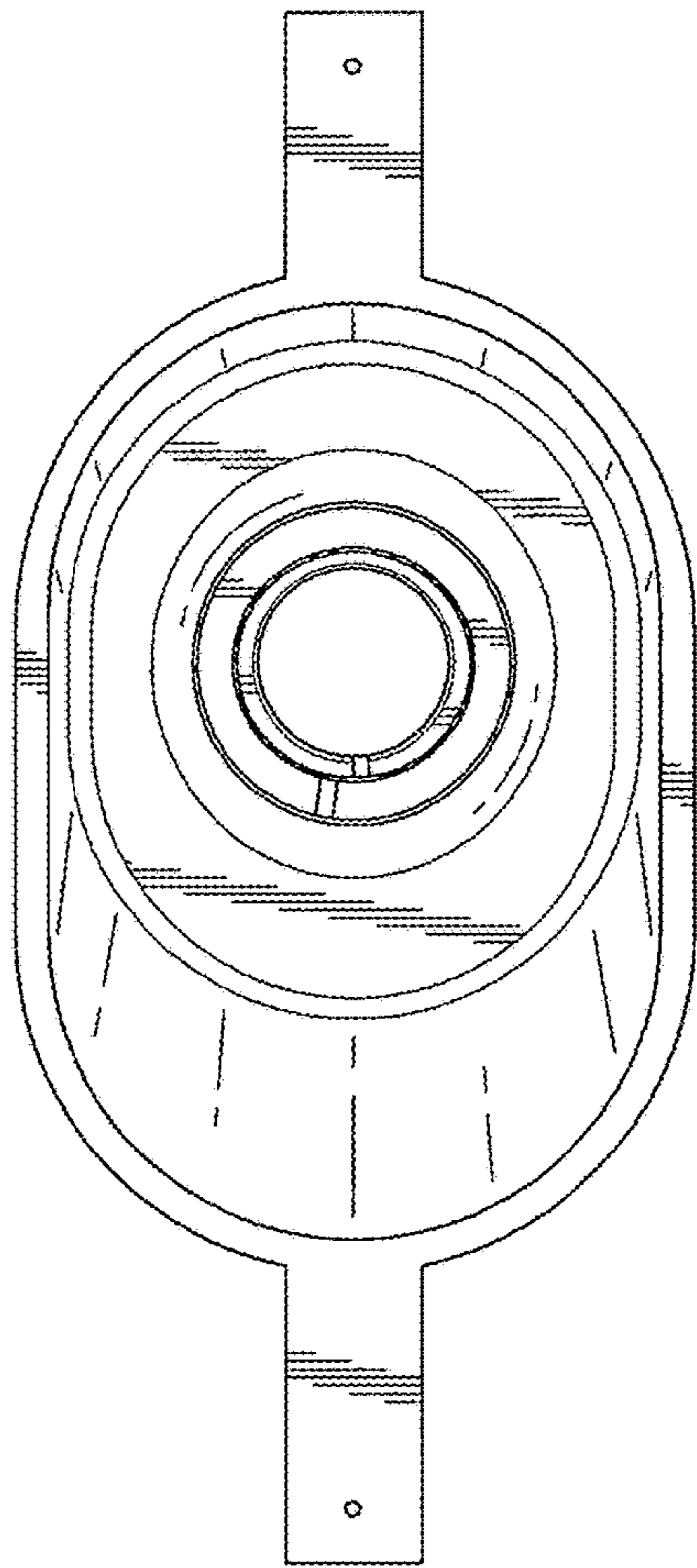


FIG. 9

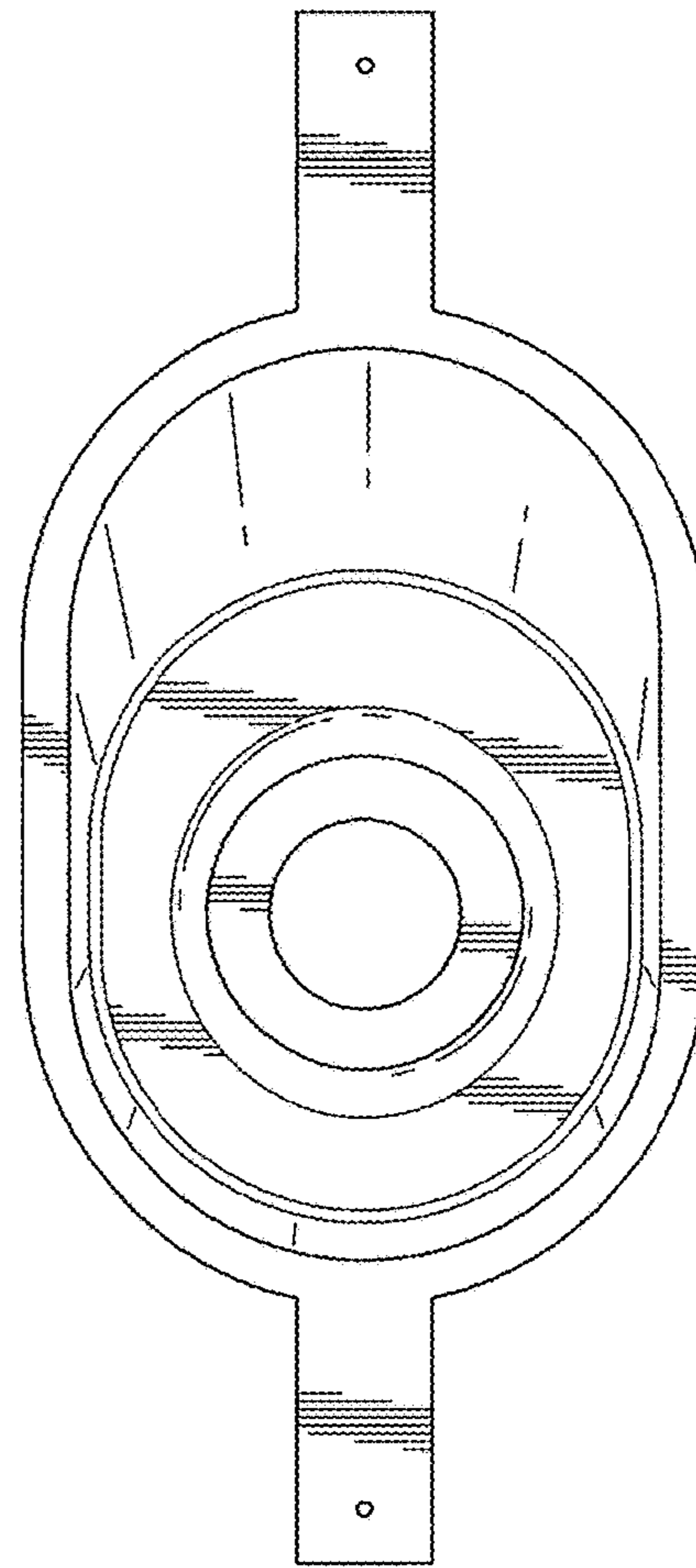


FIG. 10

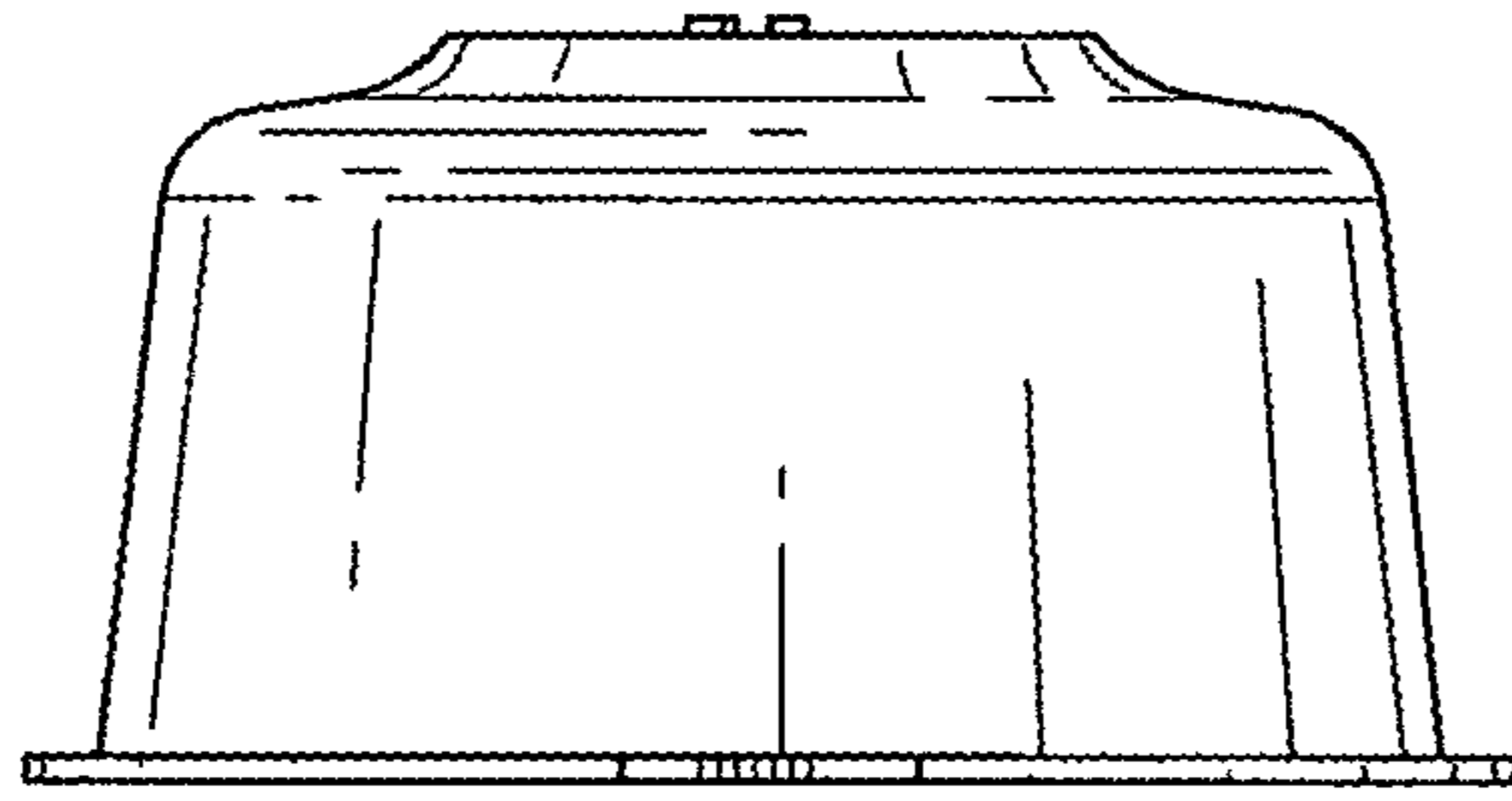


FIG. 11

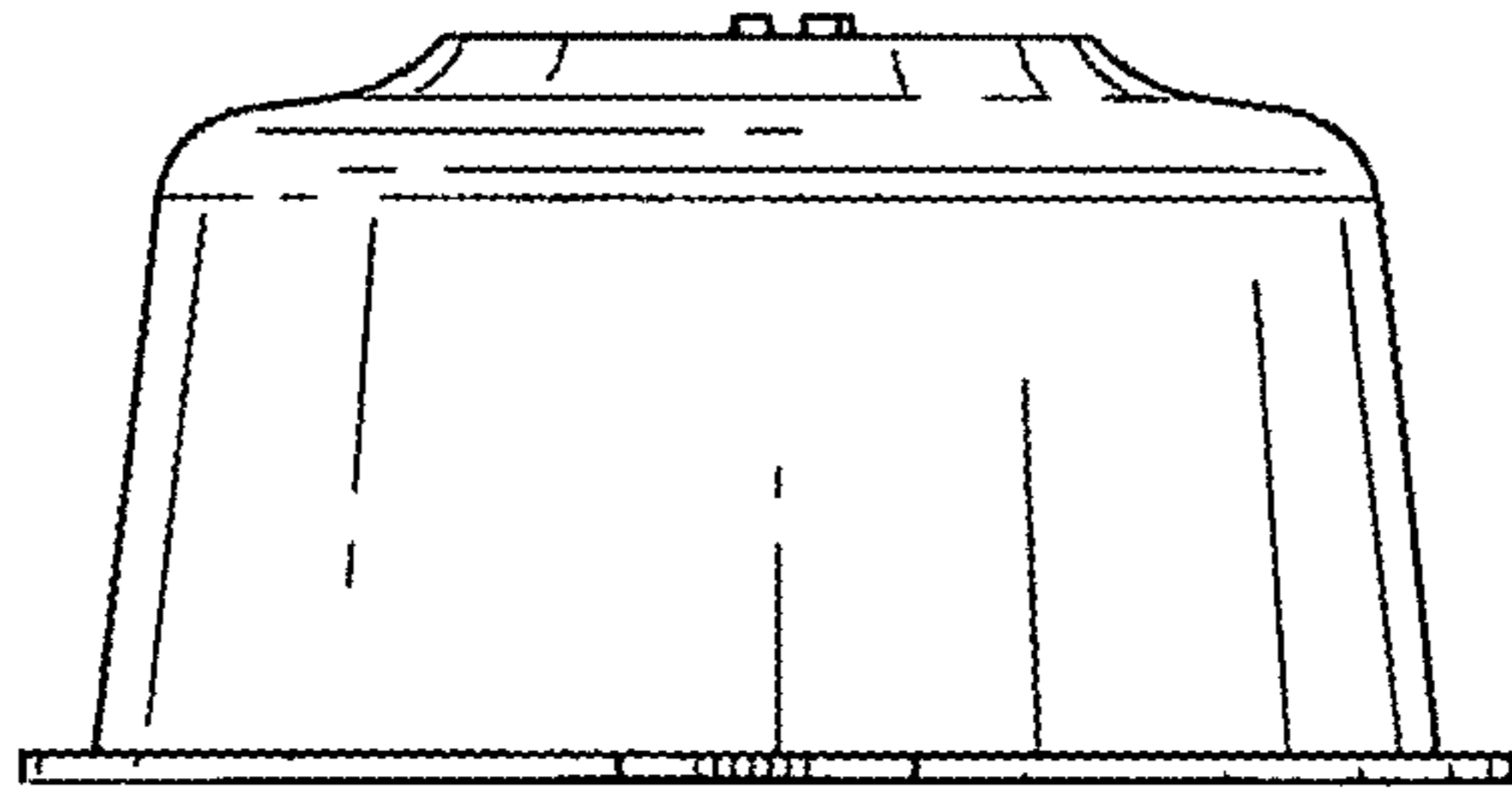


FIG. 12

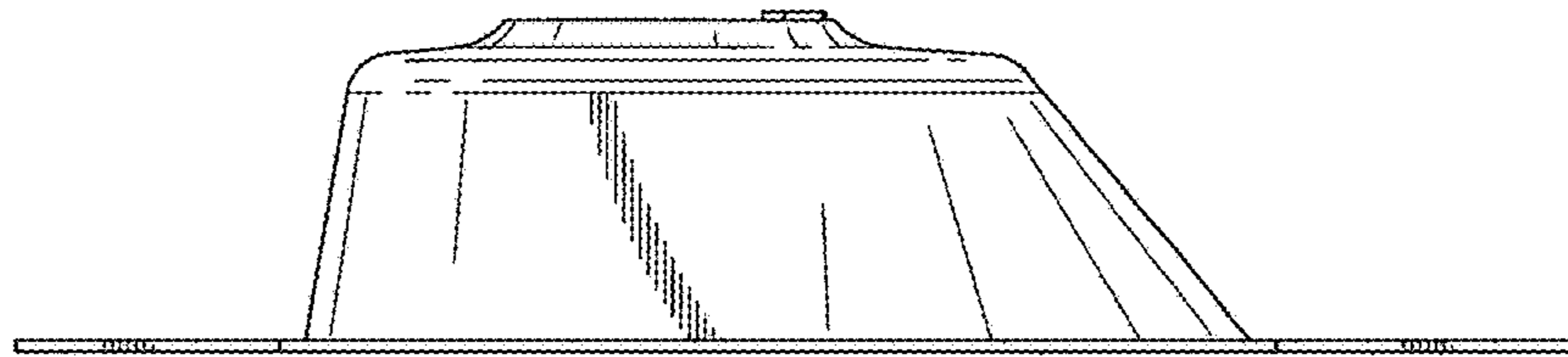


FIG. 13

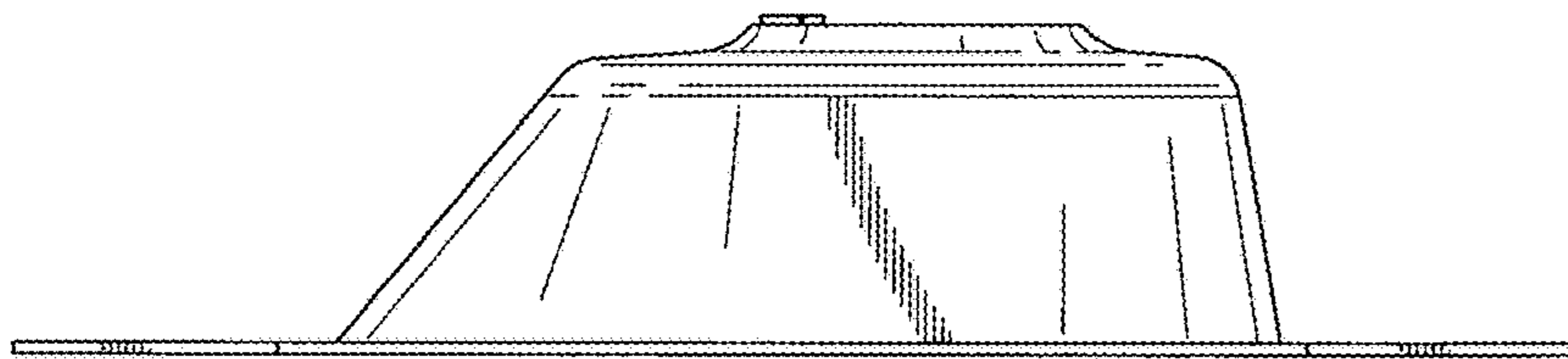


FIG. 14