



US00D796069S

(12) **United States Design Patent**
Van Dore et al.

(10) **Patent No.:** **US D796,069 S**
(45) **Date of Patent:** **** Aug. 29, 2017**

(54) **ARCHITECTURAL CEILING PANEL APPARATUS**

(71) Applicant: **ARMSTRONG WORLD INDUSTRIES, INC.**, Lancaster, PA (US)

(72) Inventors: **Jonathan P. Van Dore**, Lititz, PA (US);
Ryan D. Hanuschak, Lancaster, PA (US)

(73) Assignee: **AWI Licensing LLC**, Wilmington, DE (US)

(**) Term: **14 Years**

(21) Appl. No.: **29/512,818**

(22) Filed: **Dec. 23, 2014**

(51) **LOC (10) Cl.** **25-01**

(52) **U.S. Cl.**
USPC **D25/138**

(58) **Field of Classification Search**
USPC 362/278, 307, 606, 490; 52/103, 138,
52/506.07, 80, 22, 506.09, 752, 763,
(Continued)

(56) **References Cited**

U.S. PATENT DOCUMENTS

3,391,504 A 7/1968 McLorg
3,638,368 A 2/1972 Pierson
(Continued)

Primary Examiner — Susan Bennett Hattan

Assistant Examiner — Camelia H Styles

(74) *Attorney, Agent, or Firm* — Craig M. Sterner

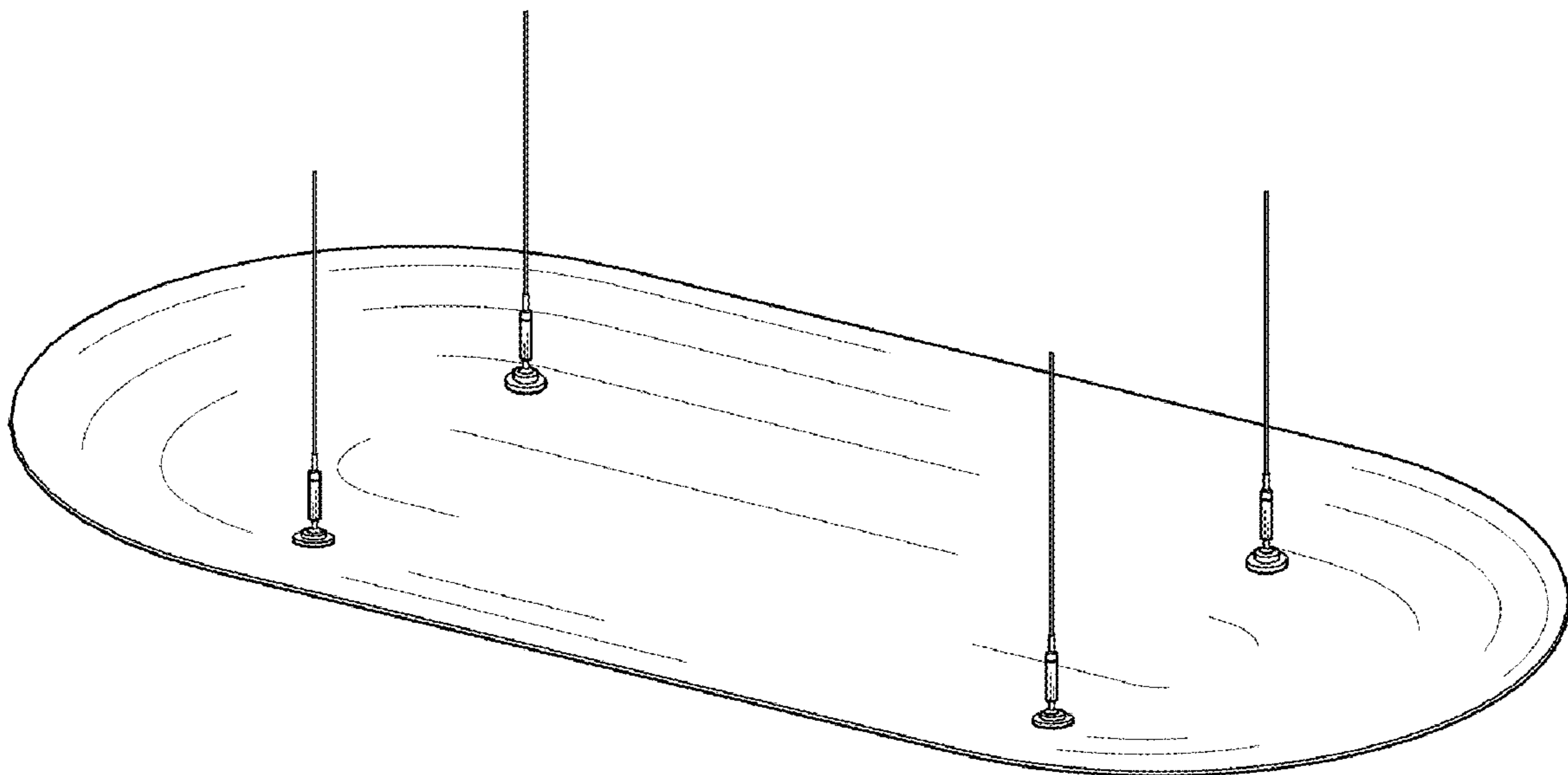
(57) **CLAIM**

We claim the ornamental design for an architectural ceiling panel apparatus, as shown and described.

DESCRIPTION

FIG. 1 is an elevated perspective view of an architectural ceiling panel apparatus showing my new design in accordance with a first embodiment of the present invention; FIG. 2 is a bottom perspective view of the architectural ceiling panel apparatus of FIG. 1; FIG. 3 is a right-side plan view of the architectural ceiling panel apparatus of FIG. 1; FIG. 4 is a left-side plan view of the architectural ceiling panel apparatus of FIG. 1; FIG. 5 is a front plan view of the architectural ceiling panel apparatus of FIG. 1; FIG. 6 is a rear plan view of the architectural ceiling panel apparatus of FIG. 1; FIG. 7 is a top plan view of the architectural ceiling panel apparatus of FIG. 1; FIG. 8 is a bottom plan view of the architectural ceiling panel apparatus of FIG. 1; FIG. 9 is an elevated perspective view of an architectural ceiling panel apparatus showing my new design in accordance with a second embodiment of the present invention; FIG. 10 is a bottom perspective view of the architectural ceiling panel apparatus of FIG. 9; FIG. 11 is a right-side plan view of the architectural ceiling panel apparatus of FIG. 9; FIG. 12 is a left-side plan view of the architectural ceiling panel apparatus of FIG. 9; FIG. 13 is a front plan view of the architectural ceiling panel apparatus of FIG. 9; FIG. 14 is a rear plan view of the architectural ceiling panel apparatus of FIG. 9; FIG. 15 is a top plan view of the architectural ceiling panel apparatus of FIG. 9; and, FIG. 16 is a bottom plan view of the architectural ceiling panel apparatus of FIG. 9.

1 Claim, 8 Drawing Sheets



US D796,069 S

Page 2

(58) **Field of Classification Search**

USPC 52/309.1, 316, 222, 220.06, 236.1, 313,
52/390, 506.01, 506.06, 506.08;
D25/103, 138, 150, 157, 58, 164;
D26/88, 72, 73, 75, 76, 80, 86, 90-92,
D26/118, 120, 84-85, 128-129; 428/51,
428/52, 106; D7/12, 9, 6, 35, 32, 39, 23;
D20/11, 26; D59/1 D; D92/1 A, 1 B,
D92/1 C; D64/2 E; 434/127; 432/259;
280/18, 18.1; 297/273; 472/118; 5/104,
5/120; D6/387, 347; 1/1; D23/364;
D14/451, 125
CPC F21S 8/06; F21S 8/061; F21S 8/063; F21S
8/065; F21S 8/068; F21V 5/007; F21V
5/005; F21V 5/008; E04B 9/061; E04B
9/26; E04B 9/122; E04B 9/003; E04B
9/0435; E04B 9/0478; E04B 9/068
See application file for complete search history.

(56) **References Cited**

U.S. PATENT DOCUMENTS

4,393,631 A 7/1983 Krent
4,666,171 A 5/1987 Sellers

5,149,117 A 9/1992 Wilkens, Sr. et al.
5,511,258 A 4/1996 Barr, Sr.
6,015,222 A * 1/2000 Schindler B60Q 3/0279
362/307
D468,474 S * 1/2003 Poulton D26/90
D498,018 S * 11/2004 Sieczkowski D26/118
7,406,802 B2 * 8/2008 Stackenwalt E04B 9/0414
52/22
D578,244 S * 10/2008 Porter D26/90
D595,891 S * 7/2009 Sabernig D26/90
D596,339 S * 7/2009 Sabernig D26/90
D620,180 S * 7/2010 Sabernig D26/84
D622,436 S * 8/2010 Whittier D26/118
D624,938 S 10/2010 Kelly et al.
7,913,466 B2 * 3/2011 Stackenwalt E04B 9/0414
52/222
D643,963 S * 8/2011 Verelst D26/84
D665,523 S * 8/2012 Holder D26/73
8,454,450 B1 6/2013 Cordray
8,528,266 B2 9/2013 Ellen
D713,090 S * 9/2014 Kim D26/90
D750,311 S * 2/2016 Popovic D26/118
RE46,043 E * 6/2016 Stackenwalt E04B 9/0414
D769,474 S * 10/2016 Sahaye D25/164
D774,173 S * 12/2016 Engberg D23/364
D774,680 S * 12/2016 Vidmar D26/84
2010/0095606 A1 4/2010 Bankston

* cited by examiner

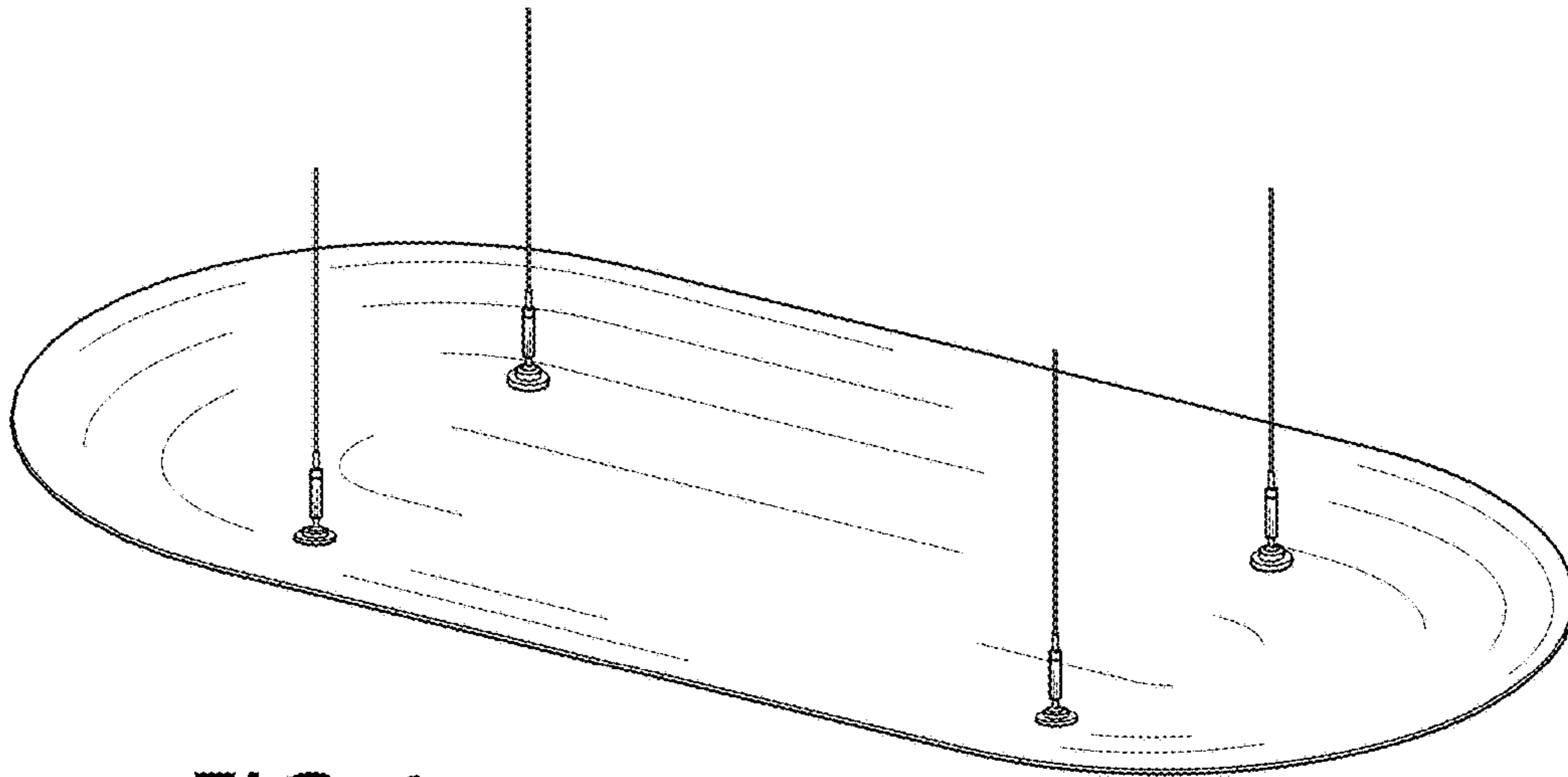


FIG. 1

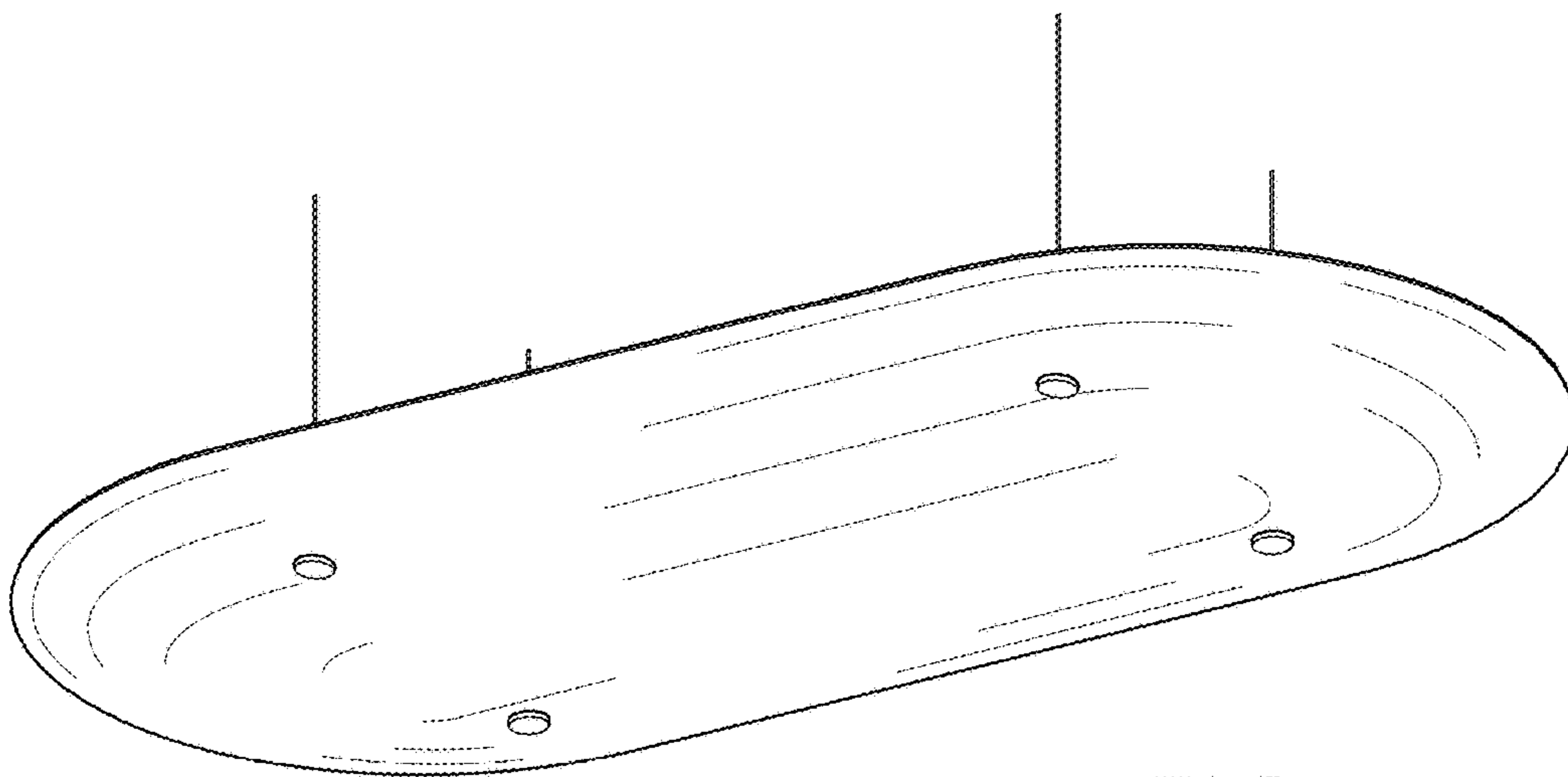


FIG. 2

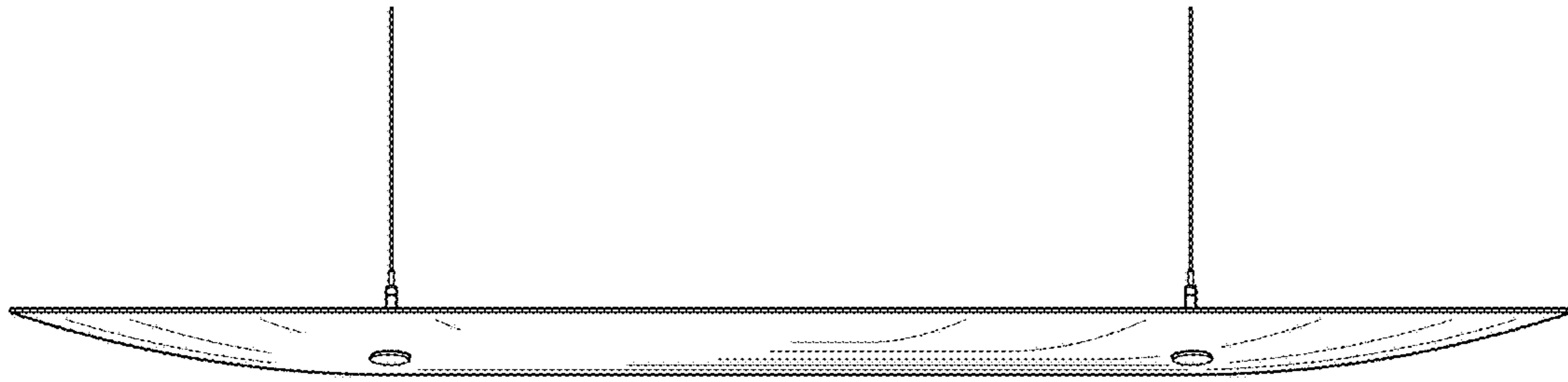


FIG. 3

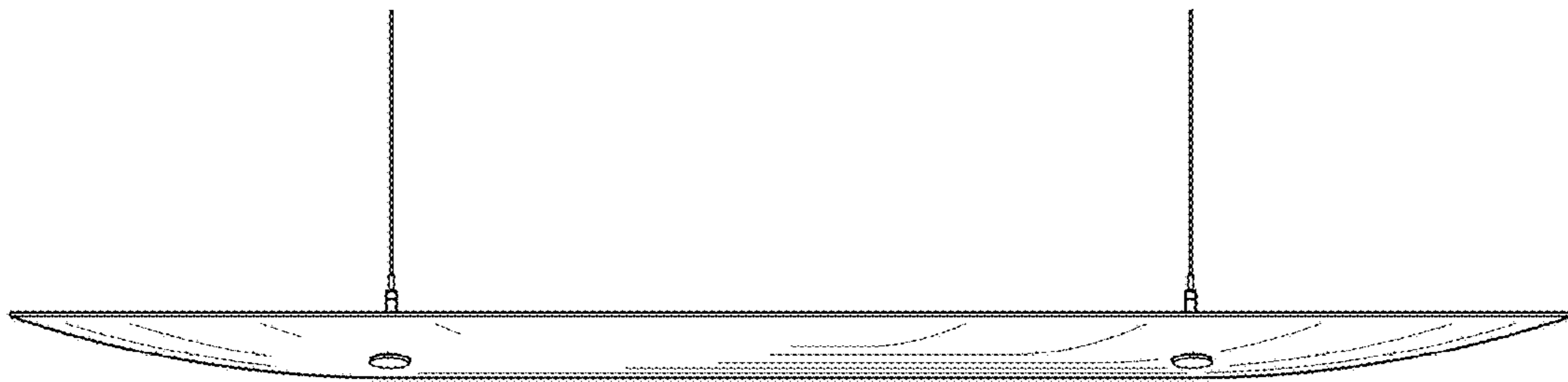


FIG. 4

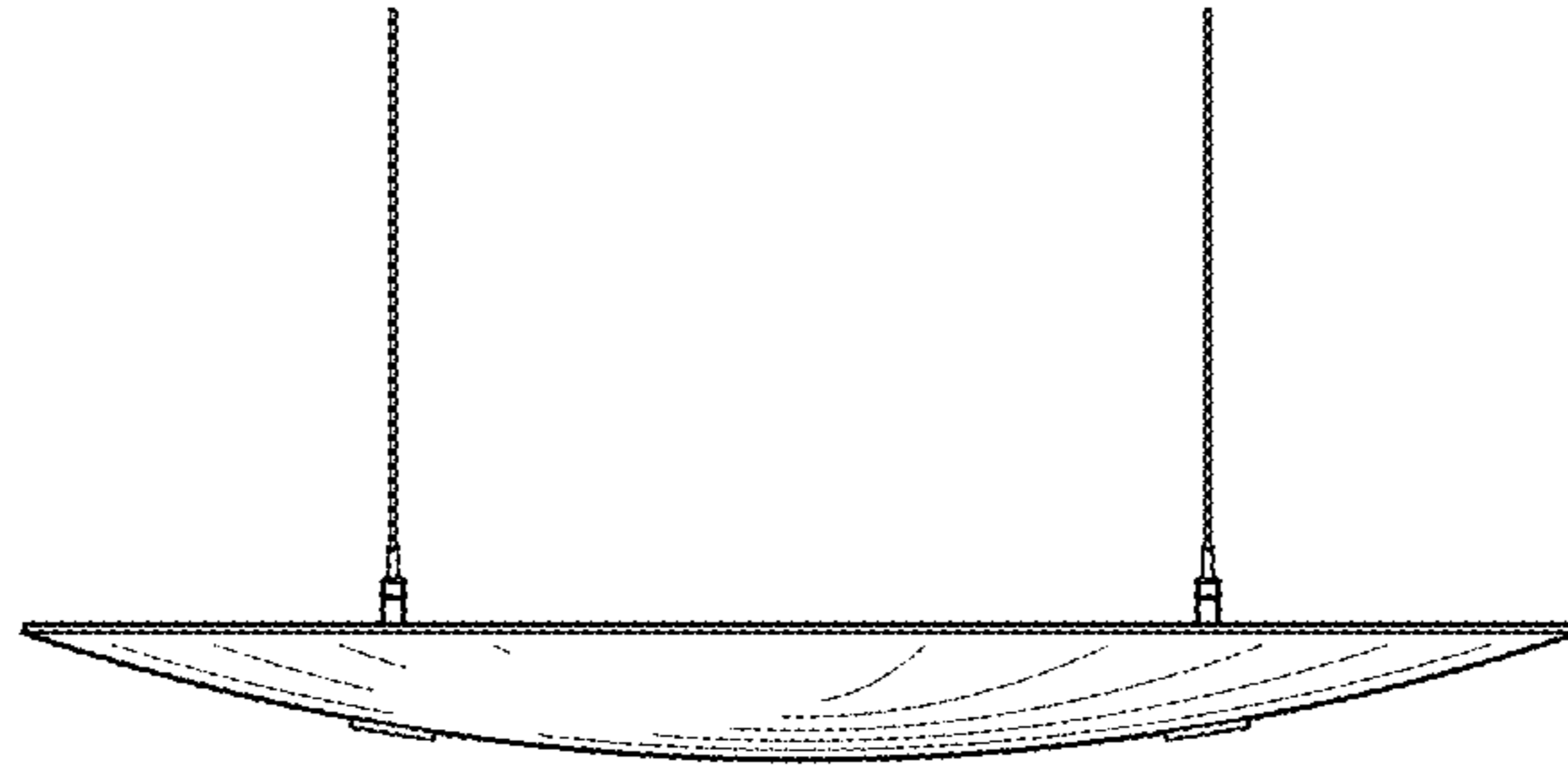


FIG. 5

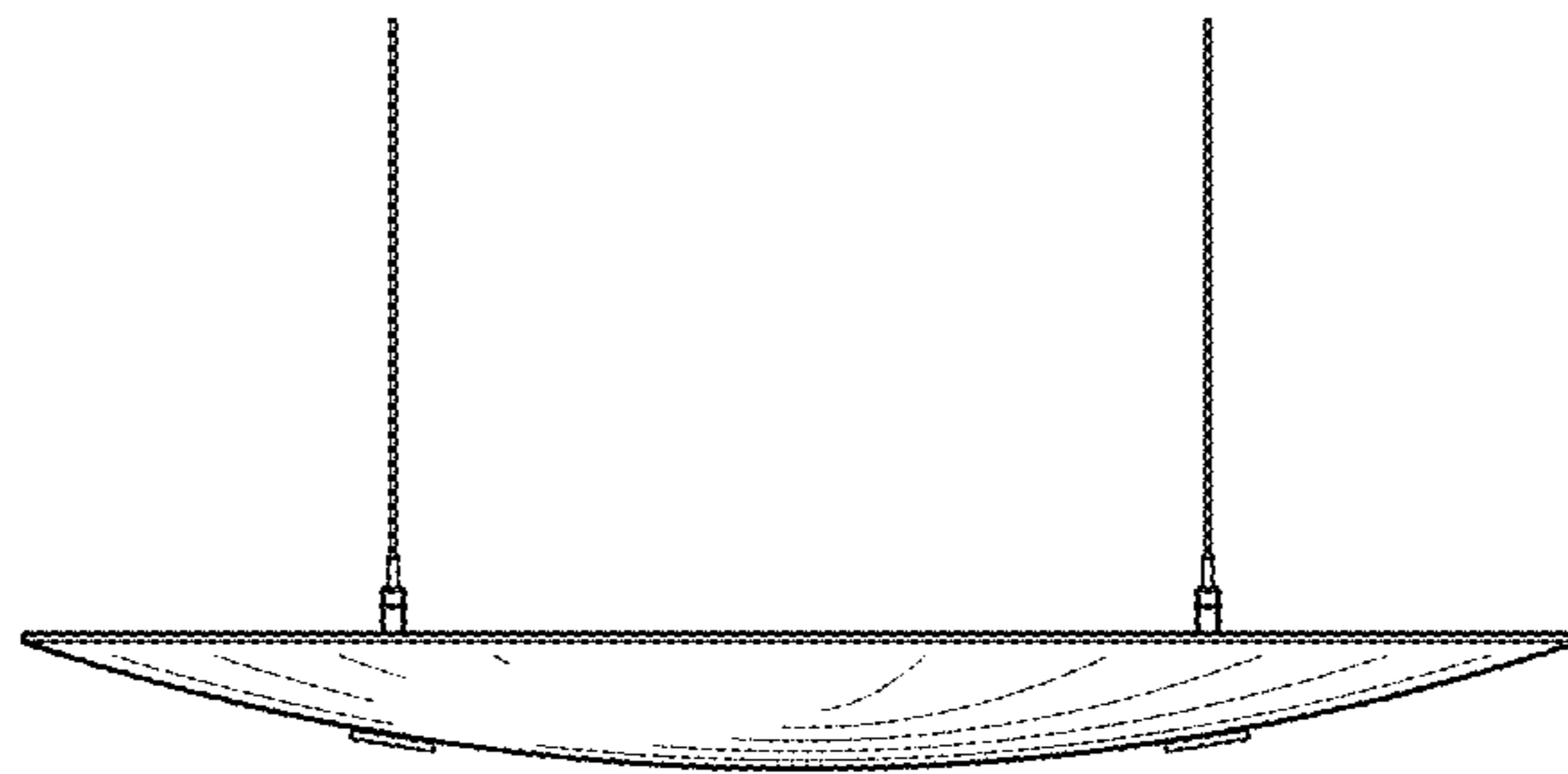


FIG. 6

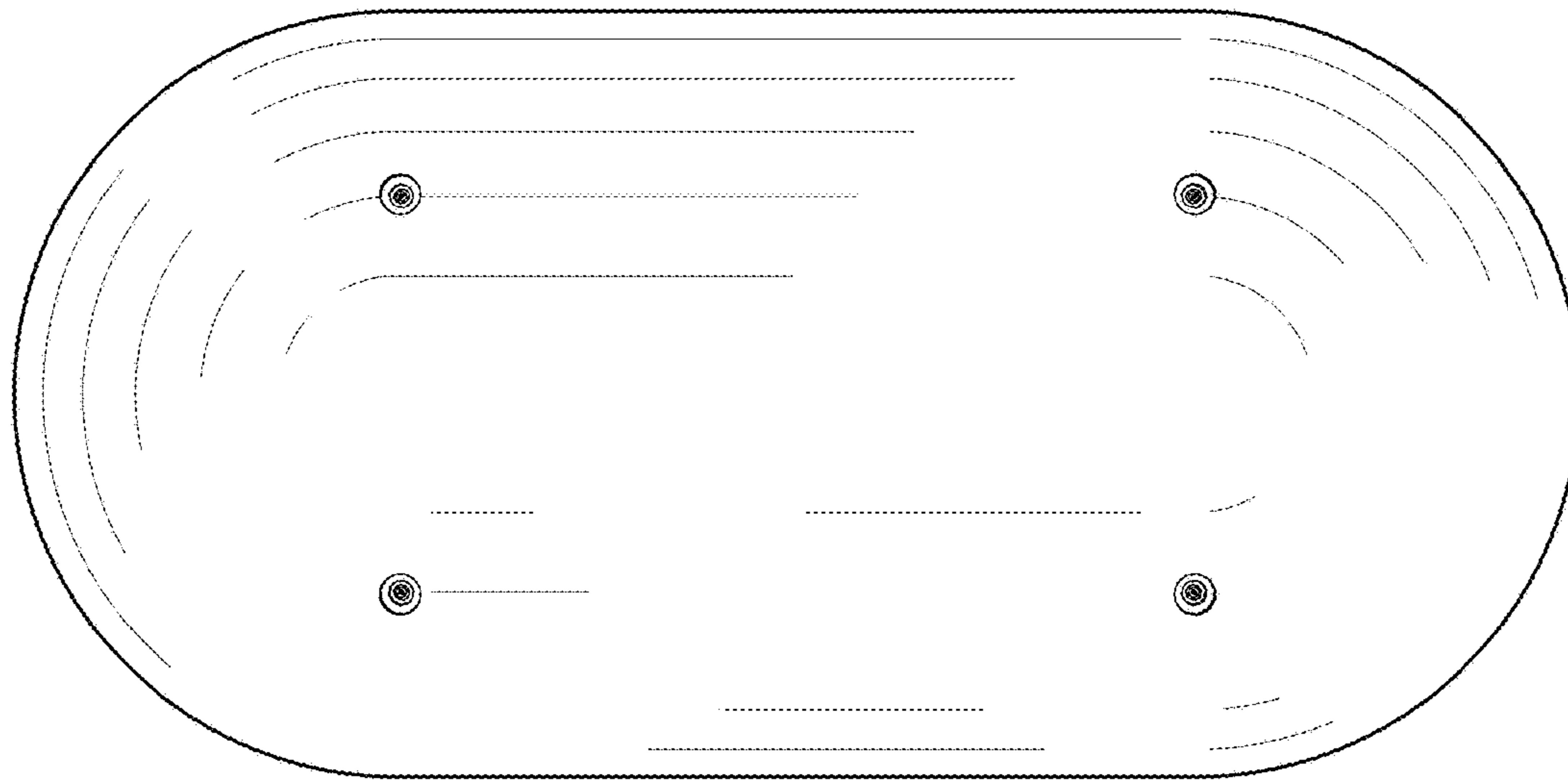


FIG. 7

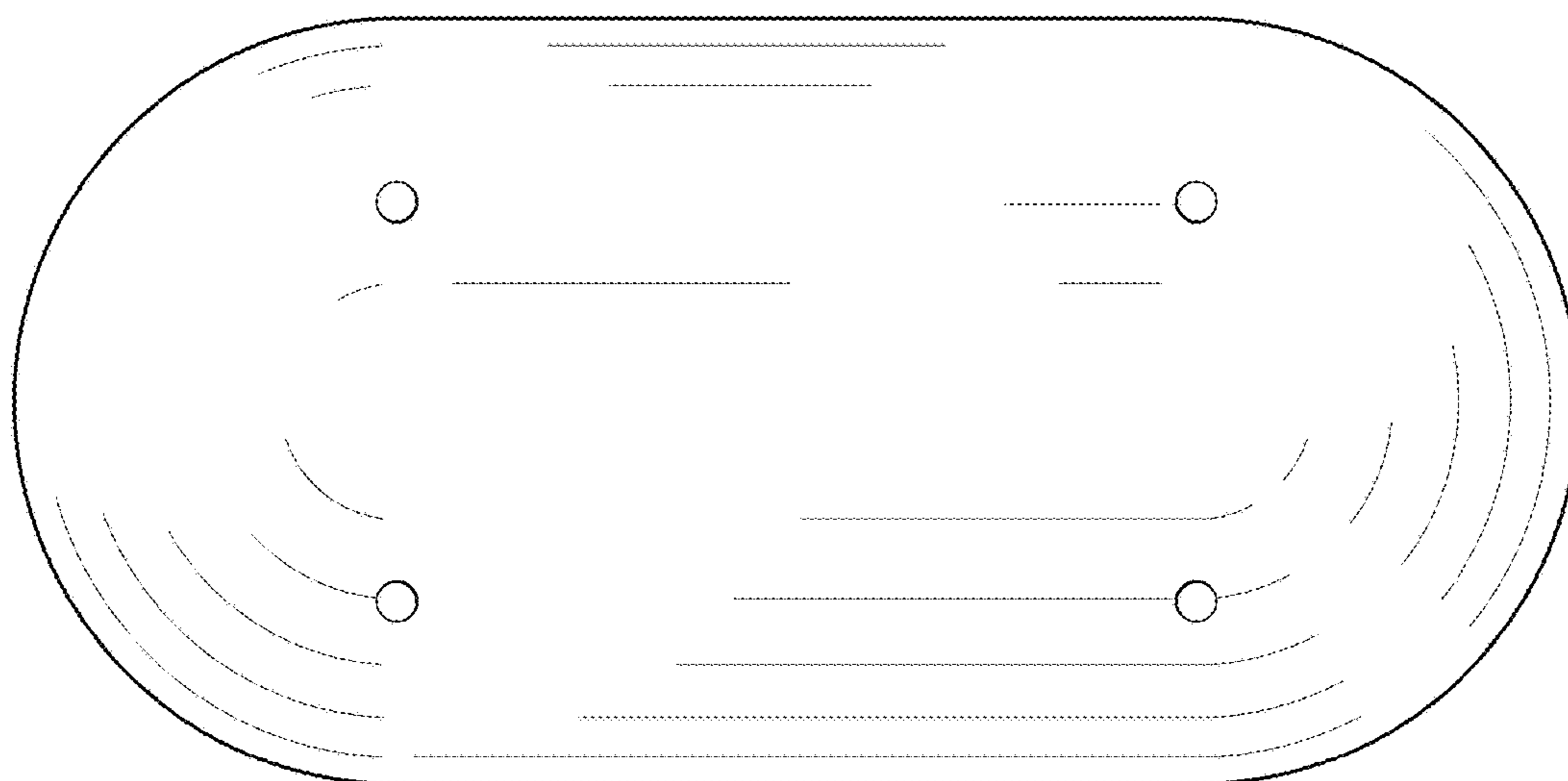


FIG. 8

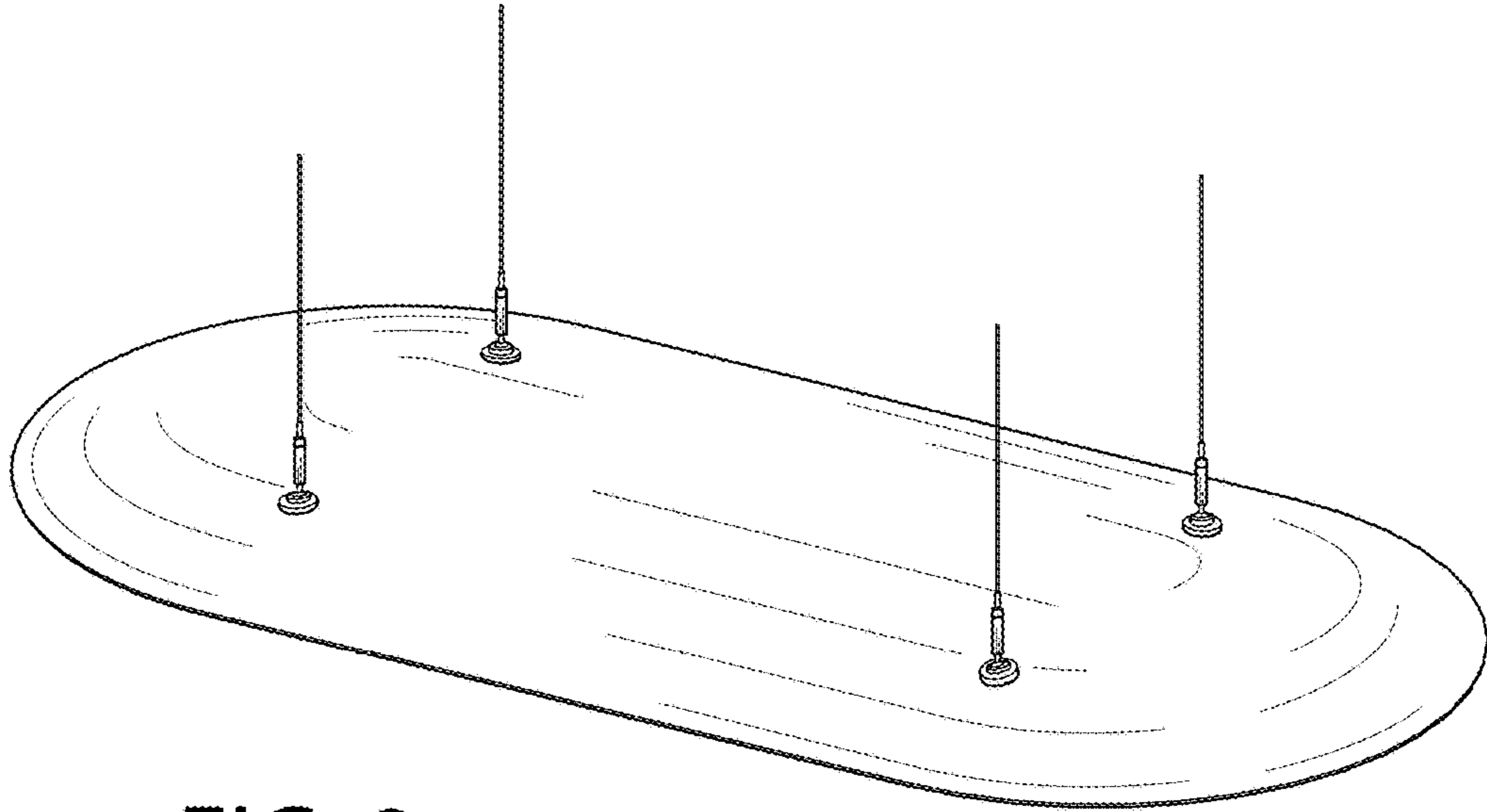


FIG. 9

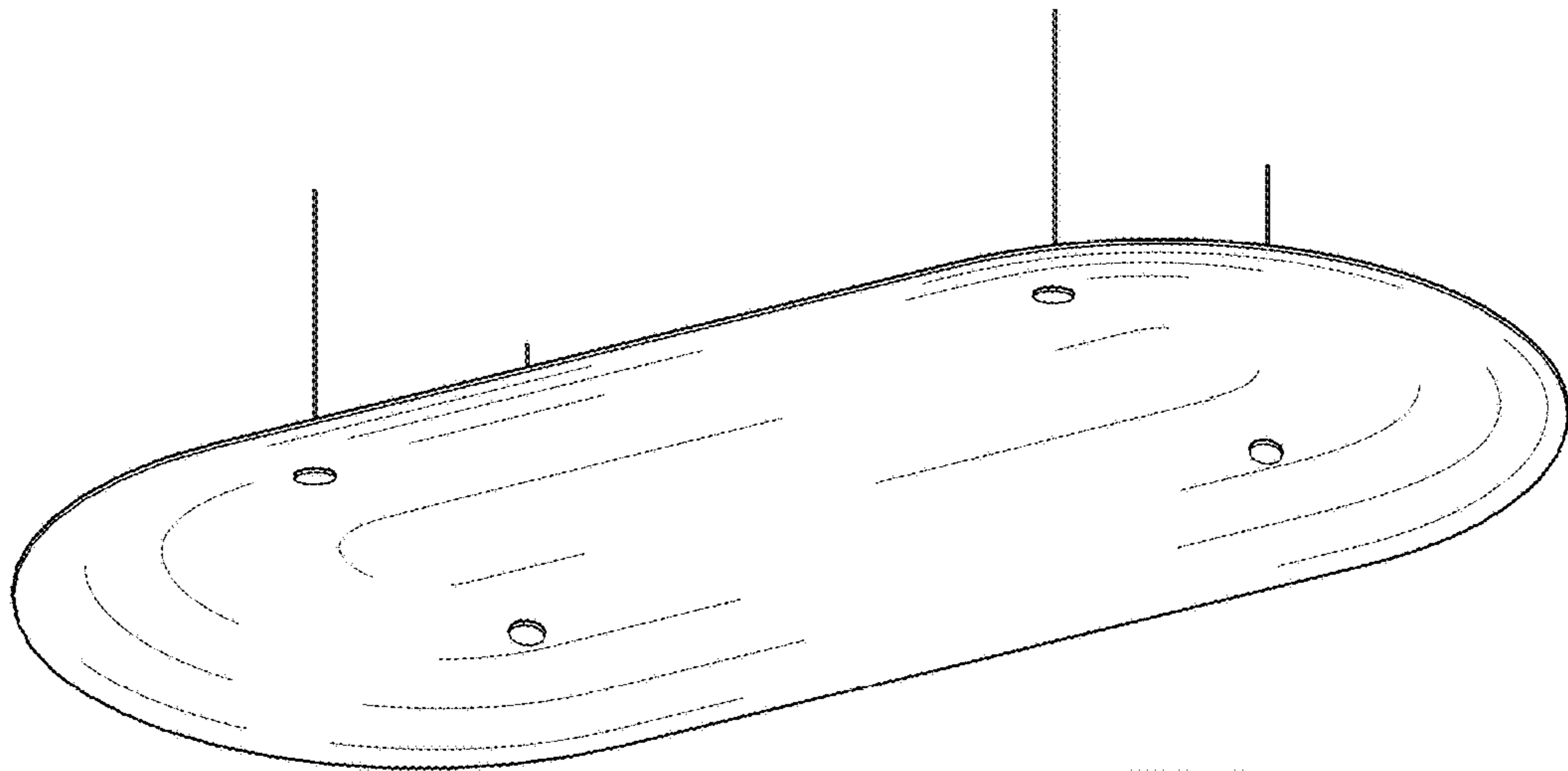


FIG. 10

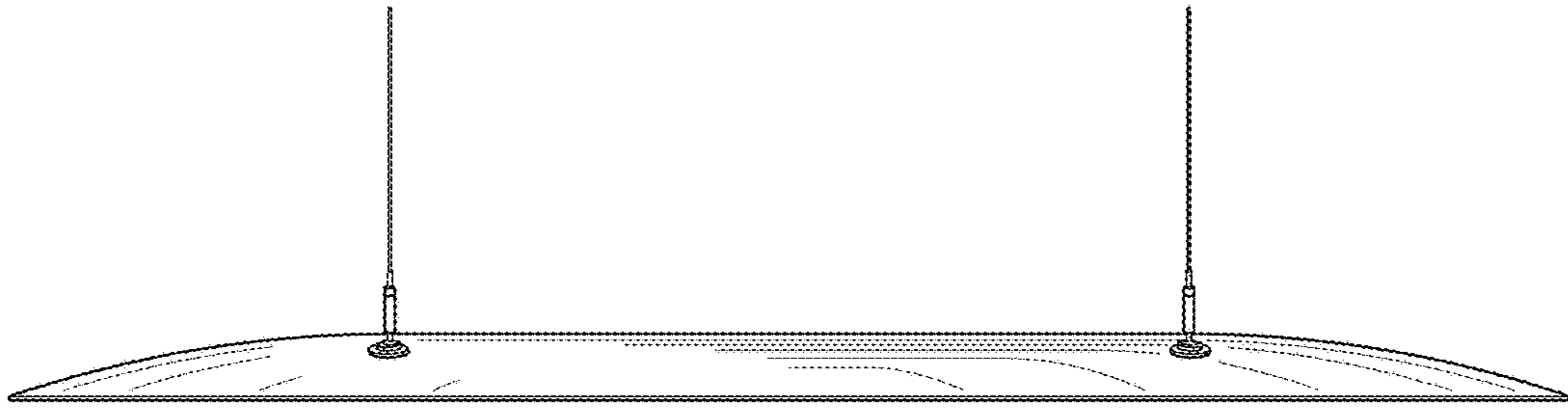


FIG. 11

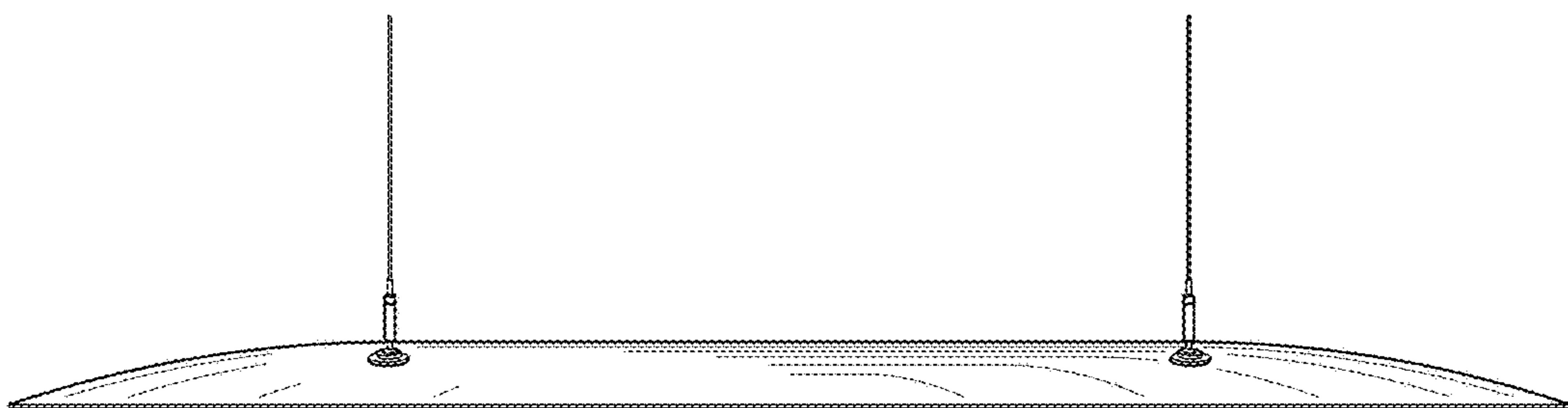


FIG. 12

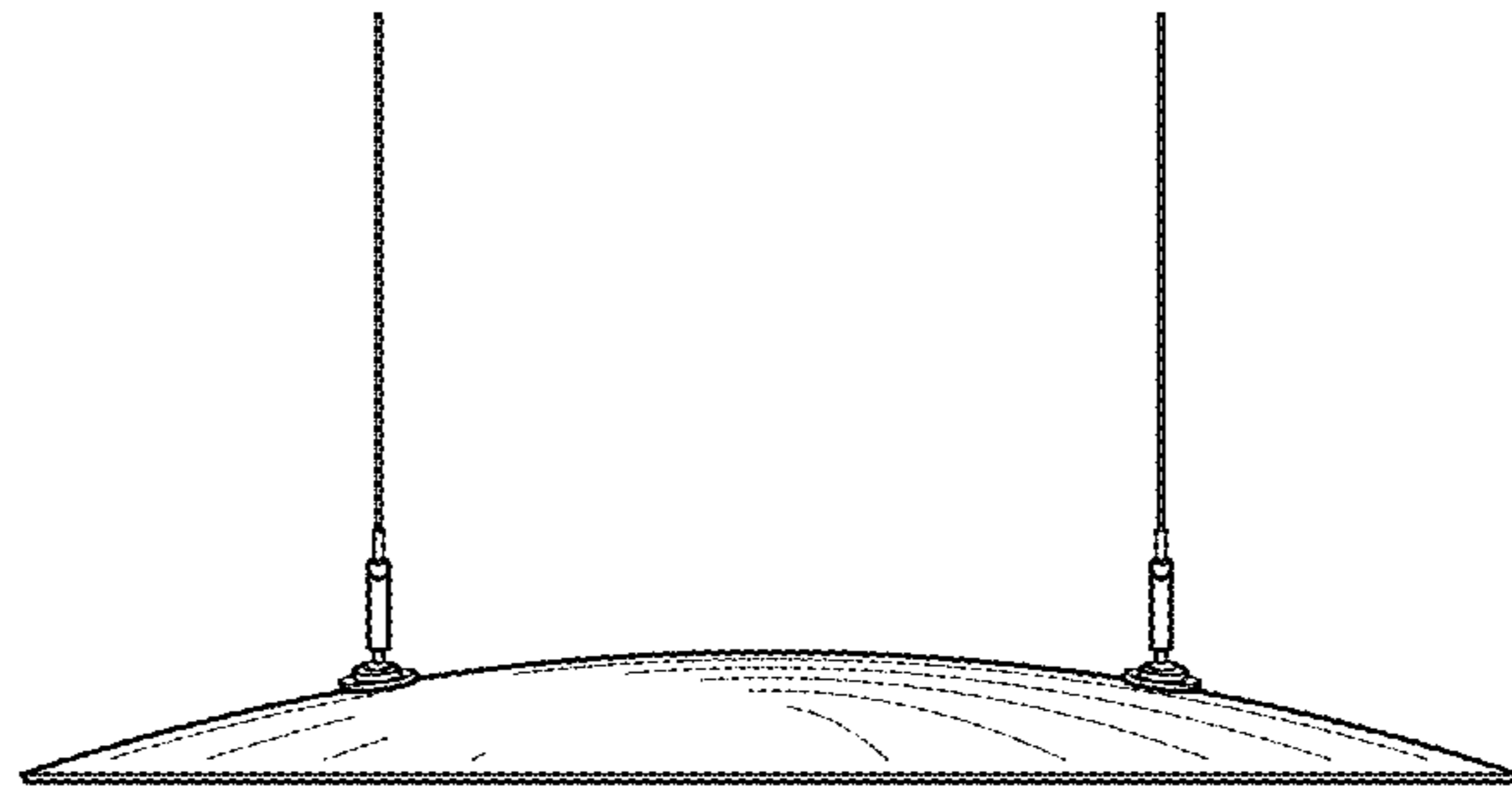


FIG. 13

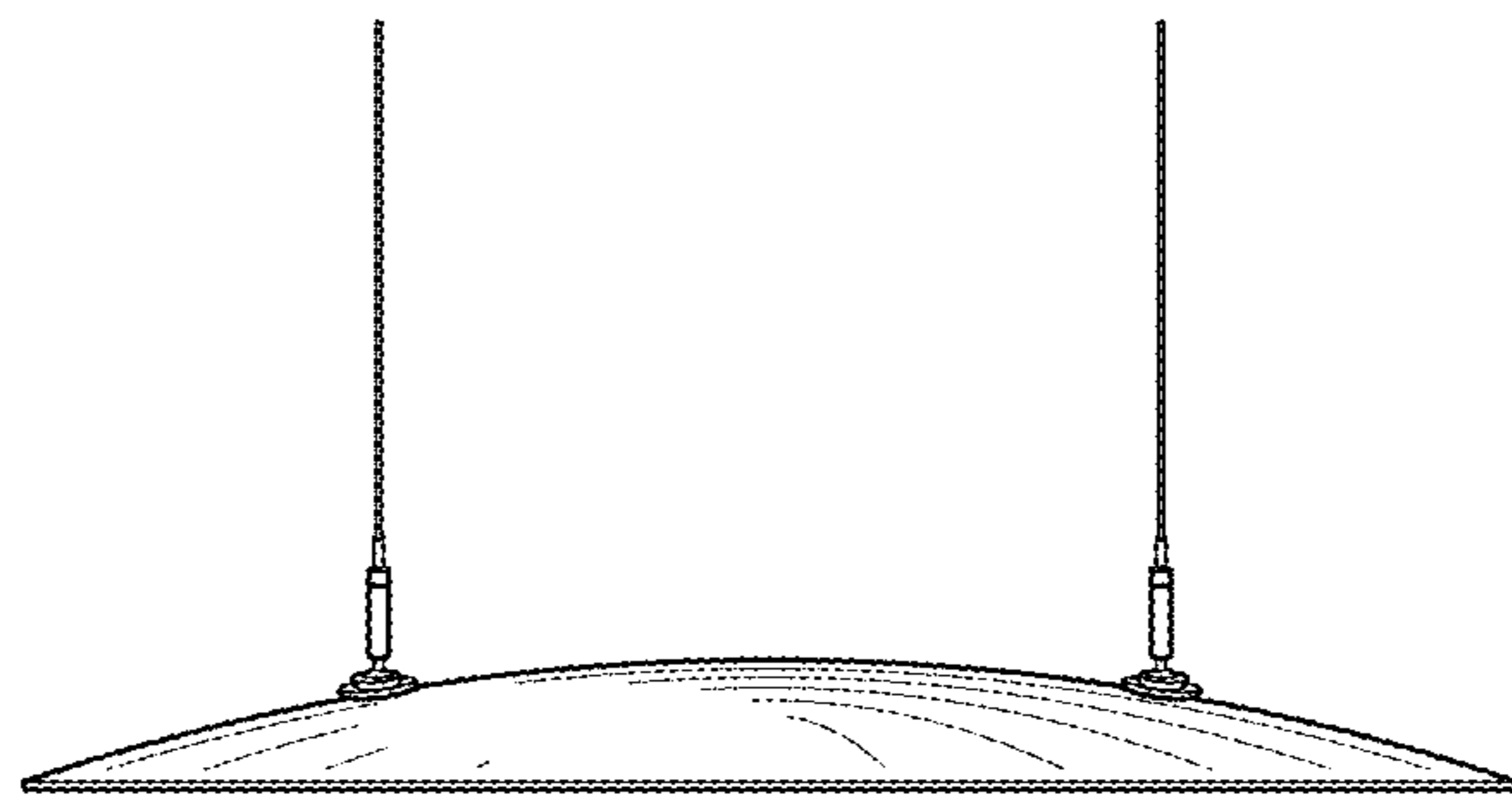


FIG. 14

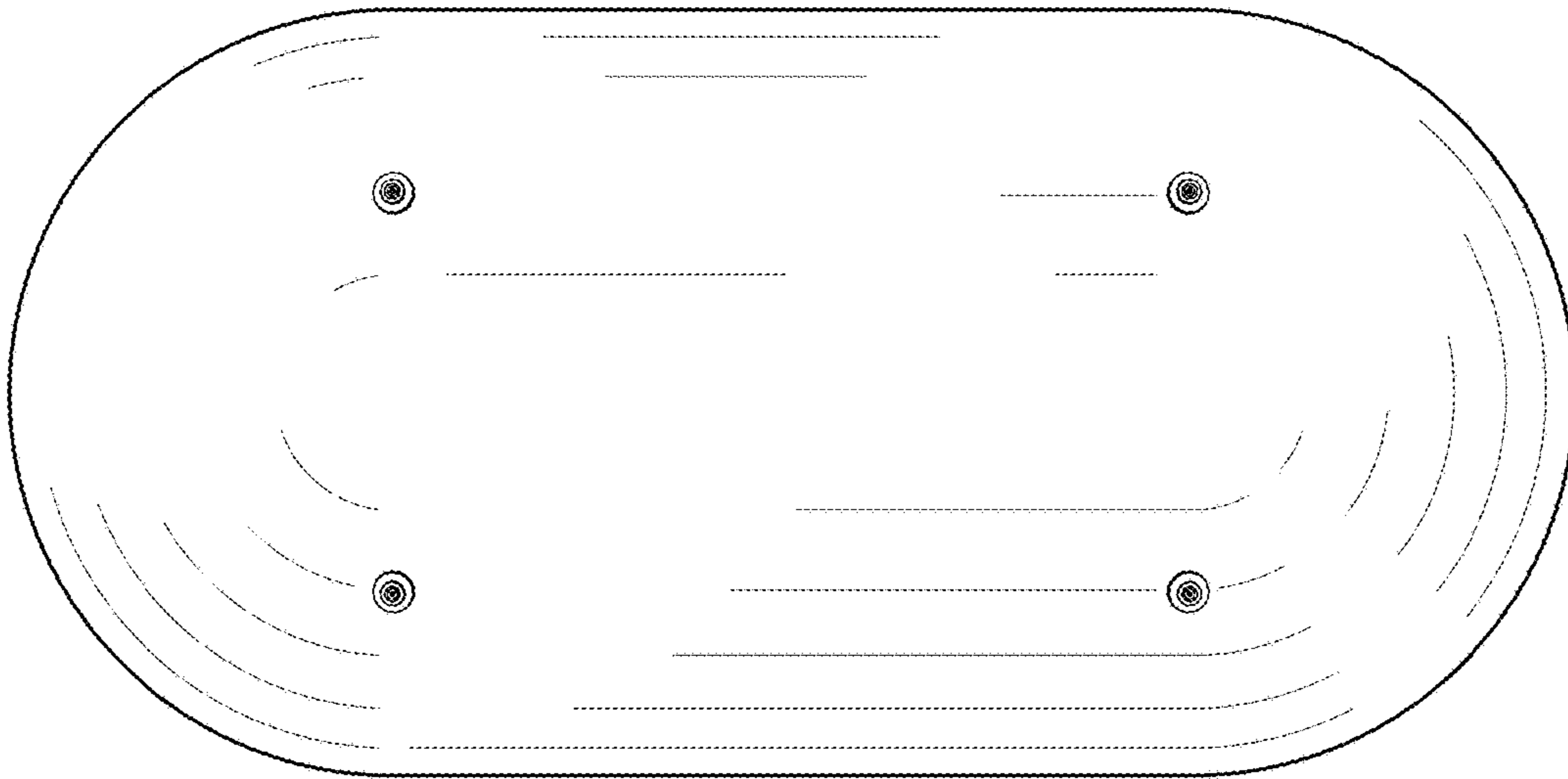


FIG. 15

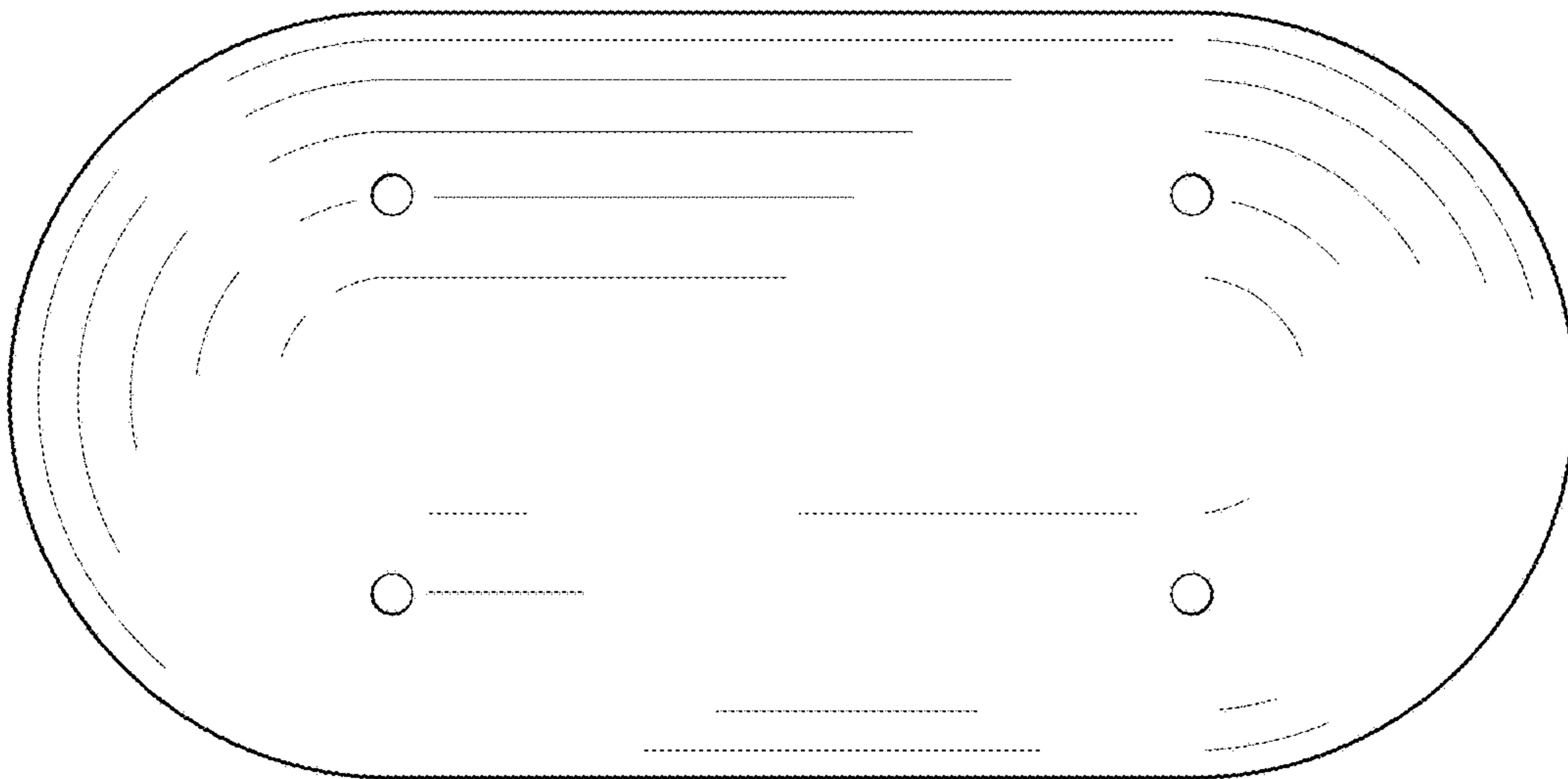


FIG. 16