



US00D796066S

(12) **United States Design Patent**
Shell

(10) **Patent No.:** **US D796,066 S**

(45) **Date of Patent:** **** Aug. 29, 2017**

(54) **BUILDING BLOCK**

(71) Applicant: **Lauren Lazare Shell**, New York, NY
(US)

(72) Inventor: **Lauren Lazare Shell**, New York, NY
(US)

(**) Term: **15 Years**

(21) Appl. No.: **29/574,426**

(22) Filed: **Aug. 15, 2016**

(51) **LOC (10) Cl.** **25-01**

(52) **U.S. Cl.**
USPC **D25/113**

(58) **Field of Classification Search**

USPC D21/484-491, 499-504; D25/113-118
CPC E04B 2/08; E04B 2/12; E04B 2/18; E04B
2/32; E04B 2/56; E04B 2/70; E04B
2/702; E04B 2002/0219; E04B
2002/0221; E04B 2002/0234; A63H
33/00; A63H 33/04; A63H 33/044; A63H
33/06; A63H 33/08; A63H 33/084; A63H
33/086; A63H 33/088; A63H 33/10;
A63H 33/12; A63H 33/105; A63H 33/108
See application file for complete search history.

(56) **References Cited**

U.S. PATENT DOCUMENTS

D246,386 S * 11/1977 Hardin D25/113
D301,063 S * 5/1989 Risi D25/113

D313,280 S * 12/1990 Rodenburgh D25/113
D506,012 S * 6/2005 Crump D25/112
D781,455 S * 3/2017 Risi D25/113

FOREIGN PATENT DOCUMENTS

CN 301607579 * 7/2011

* cited by examiner

Primary Examiner — Susan Bennett Hattan

Assistant Examiner — Leanne Was-Englehart

(57) **CLAIM**

The ornamental design for a building block, as shown and described.

DESCRIPTION

FIG. 1 is a front perspective view of the building block showing the present design.

FIG. 2 is a front view thereof.

FIG. 3 is a rear view thereof.

FIG. 4 is a right side view thereof.

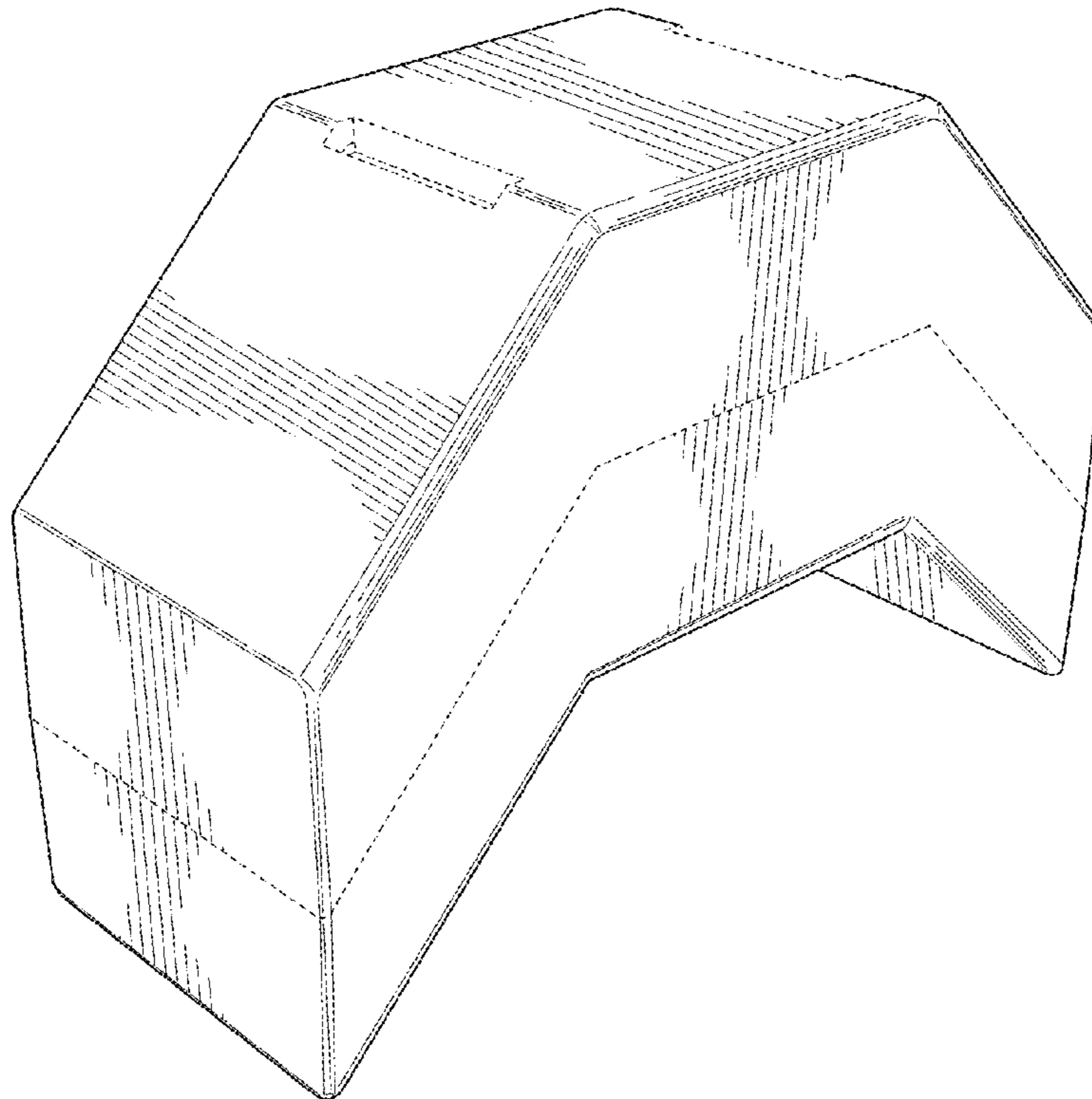
FIG. 5 is a left side view thereof.

FIG. 6 is a top plan view thereof; and,

FIG. 7 is a bottom plan view thereof.

The portions of the design shown in broken lines being for the purpose of illustrating environment only and form no part of the claimed design.

1 Claim, 7 Drawing Sheets



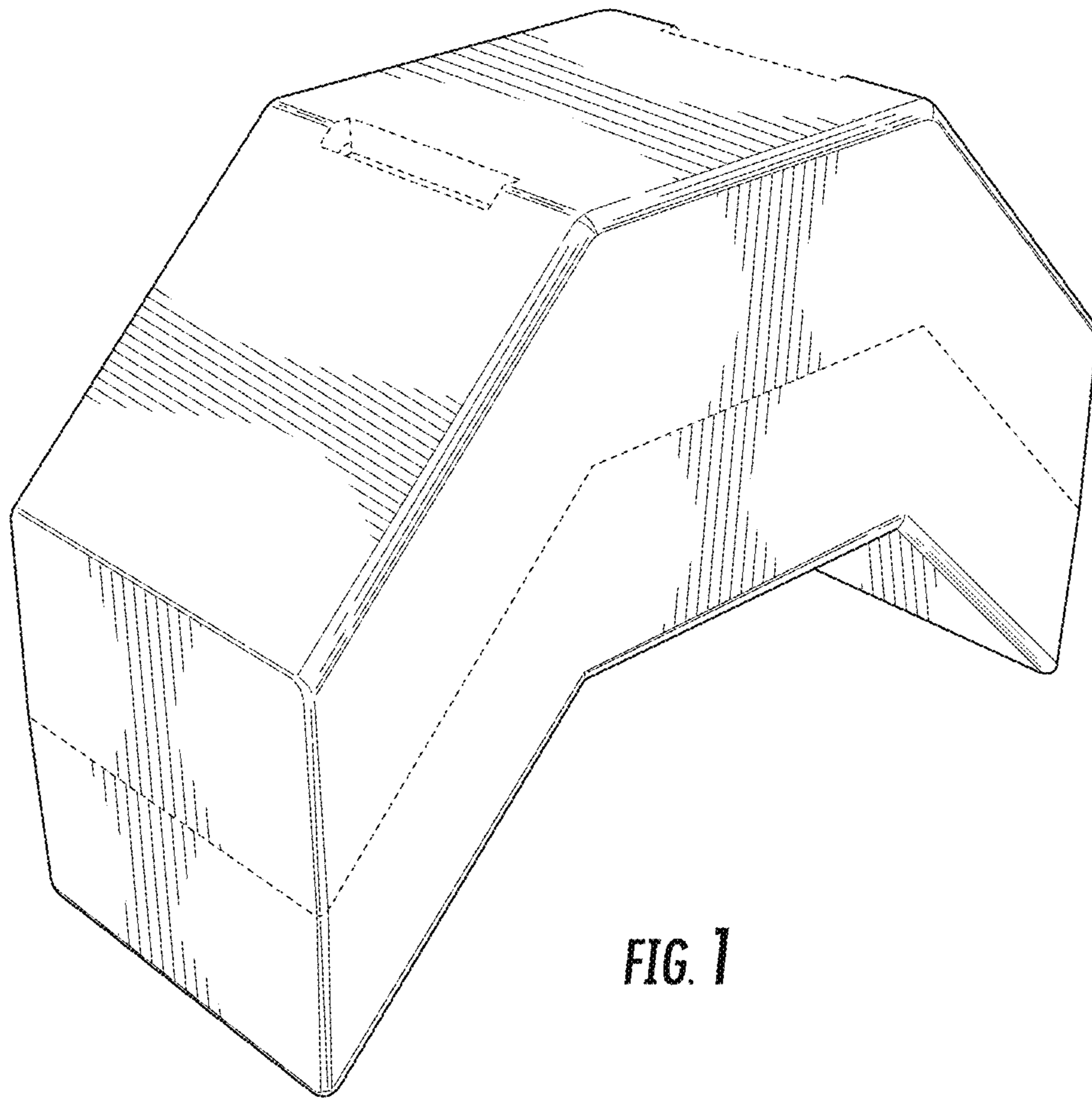


FIG. 1

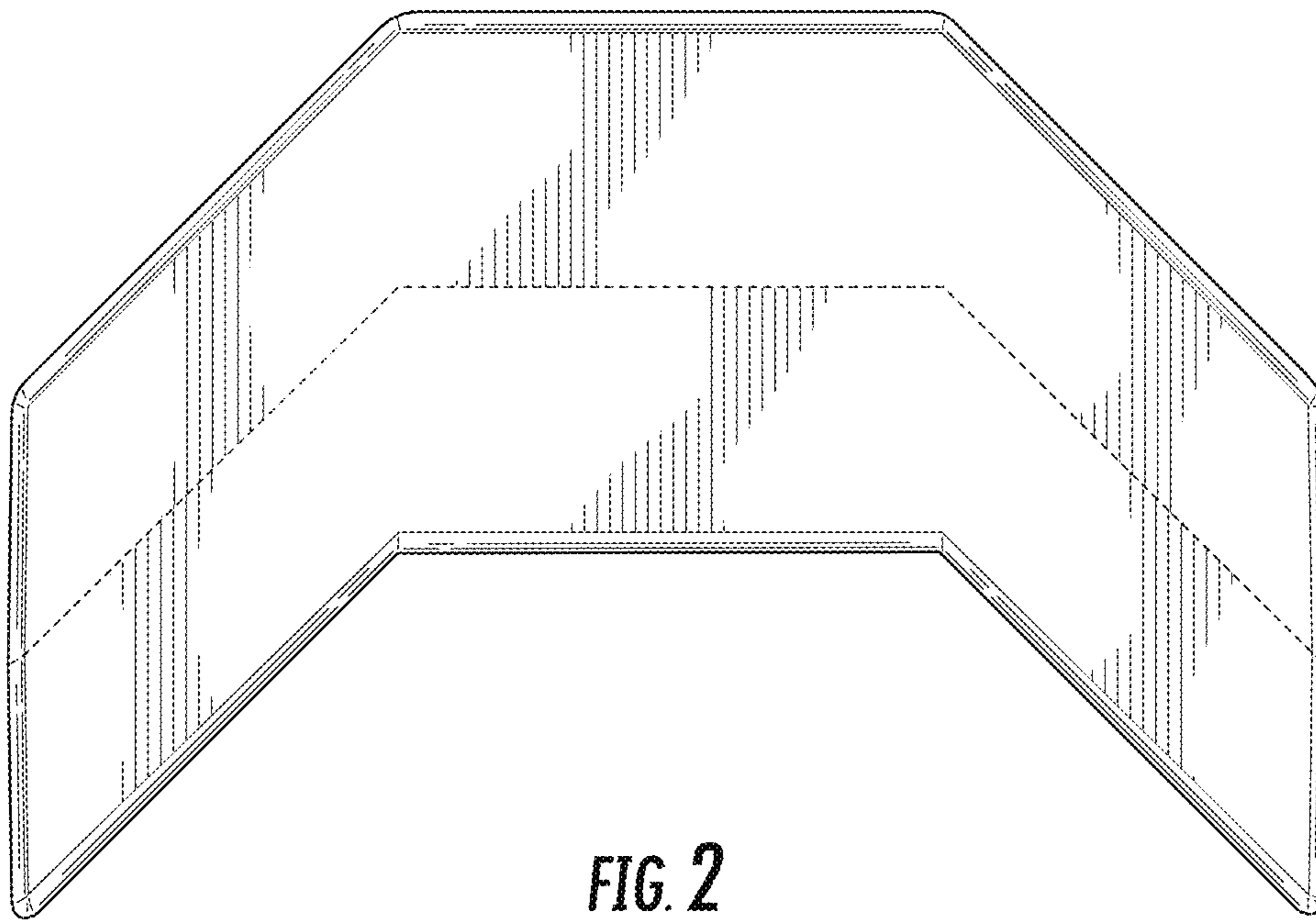


FIG. 2

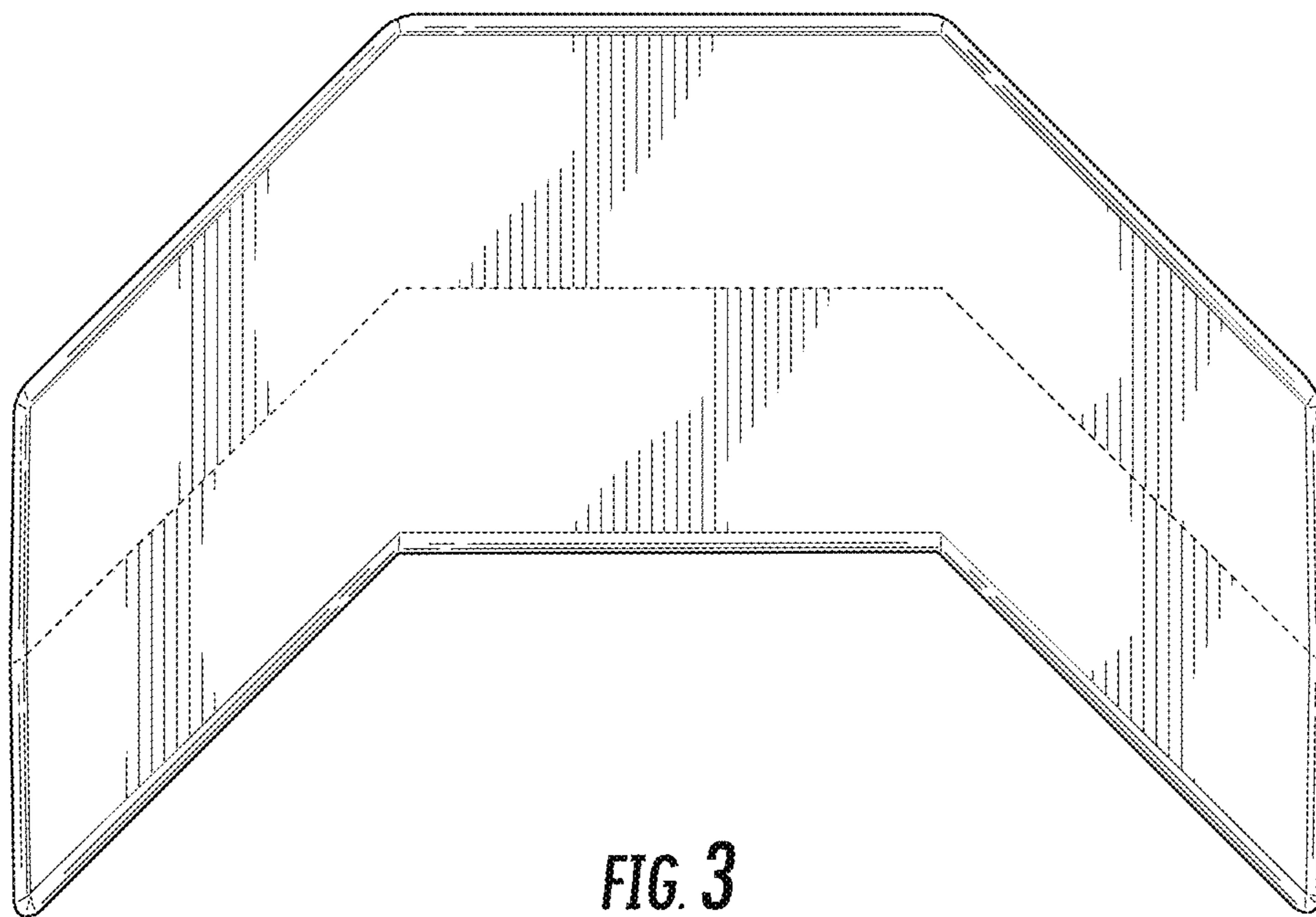


FIG. 3

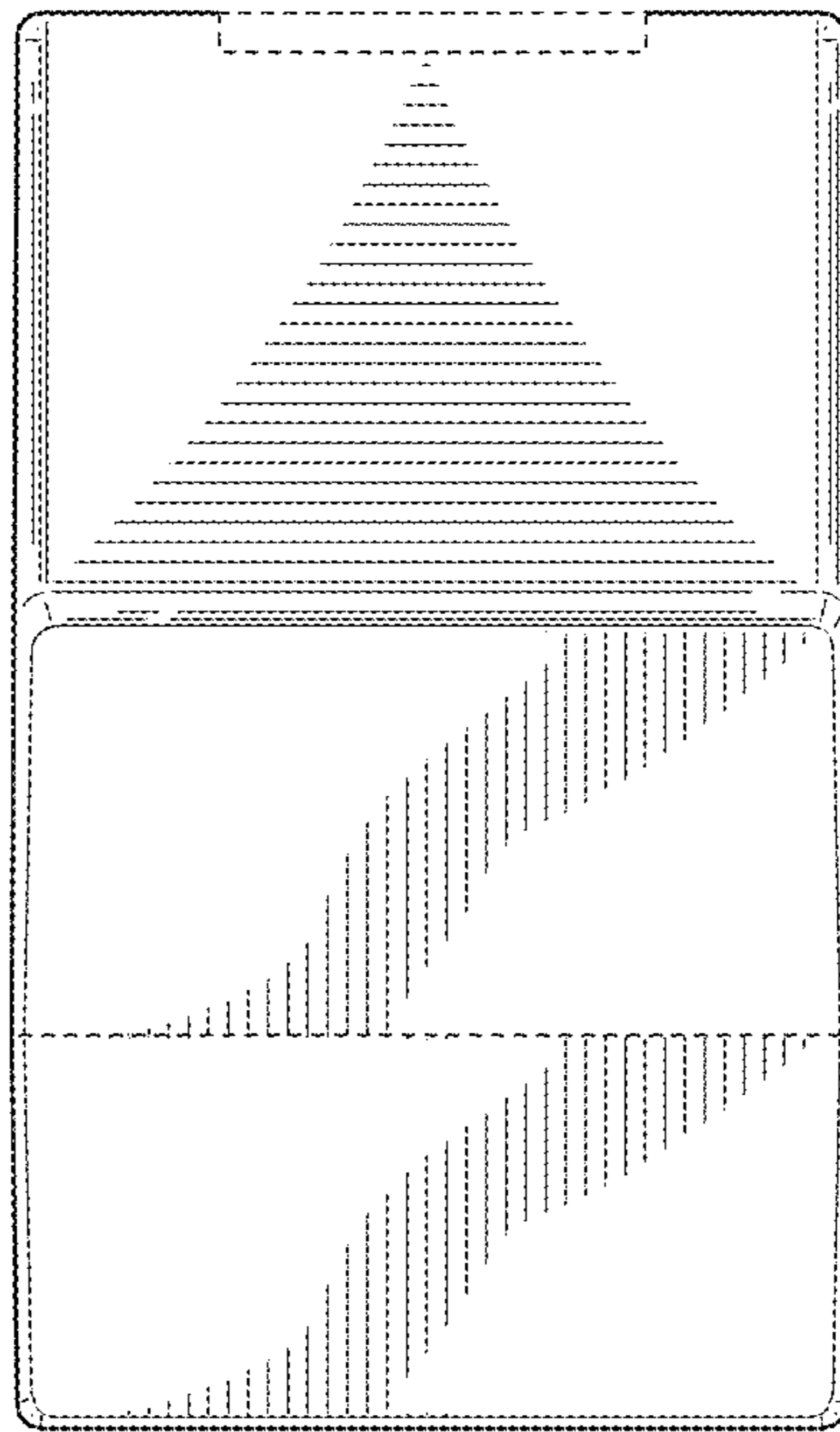


FIG. 4

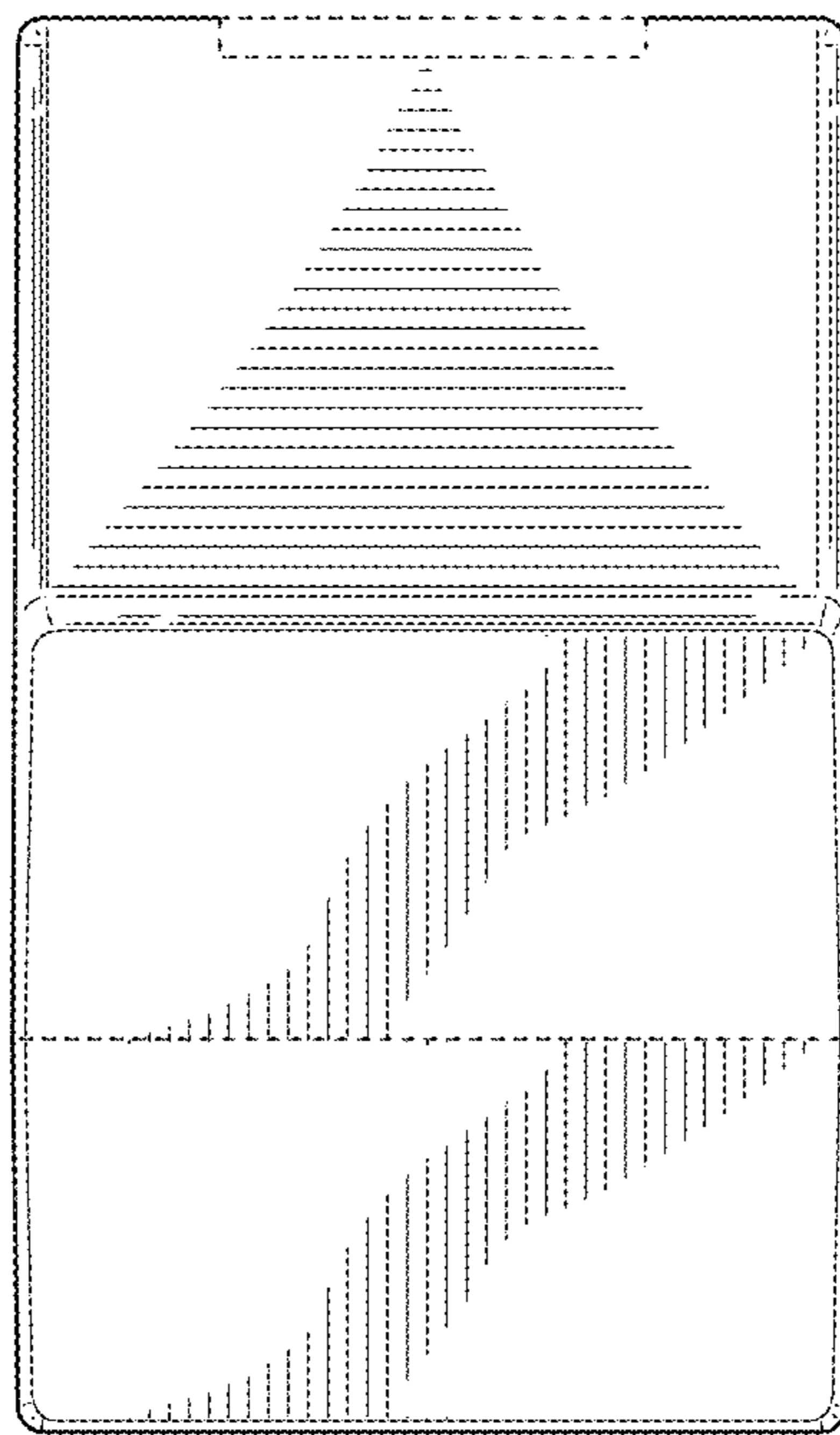


FIG. 5

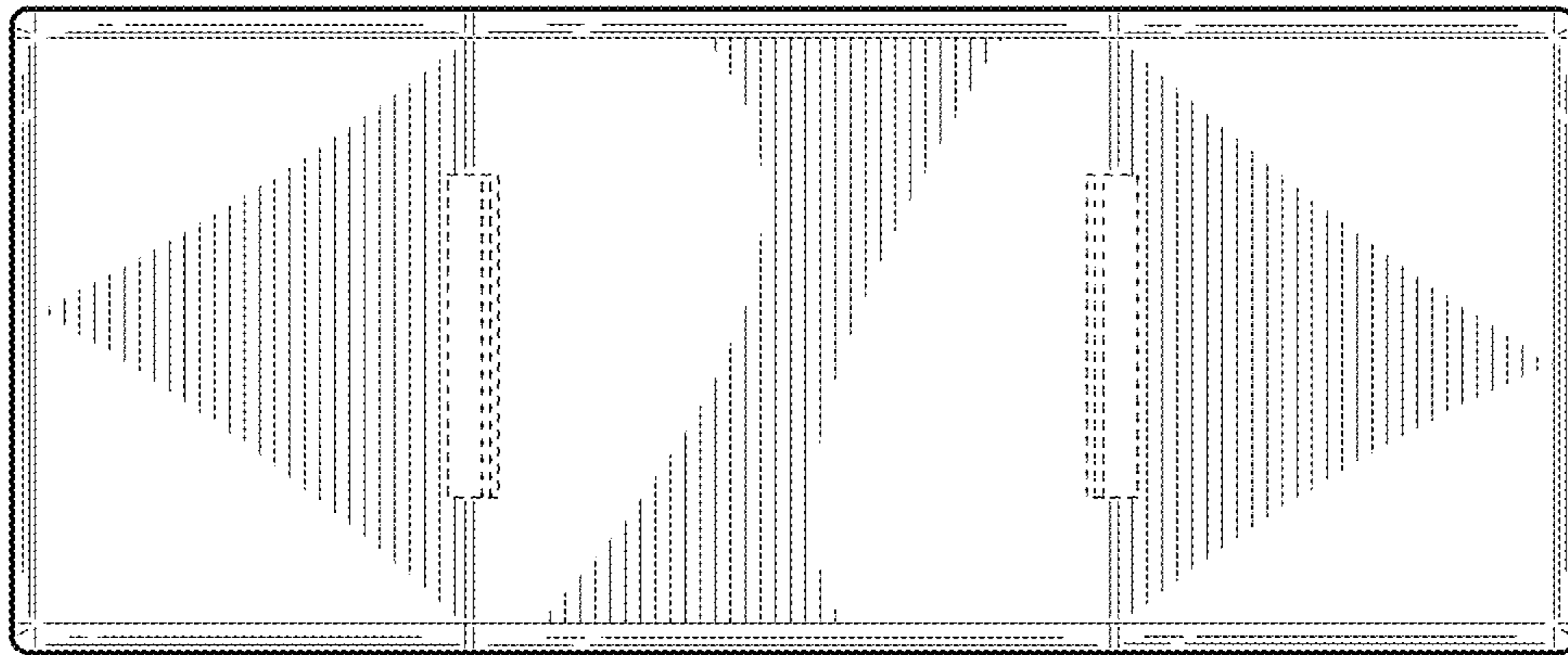


FIG. 6

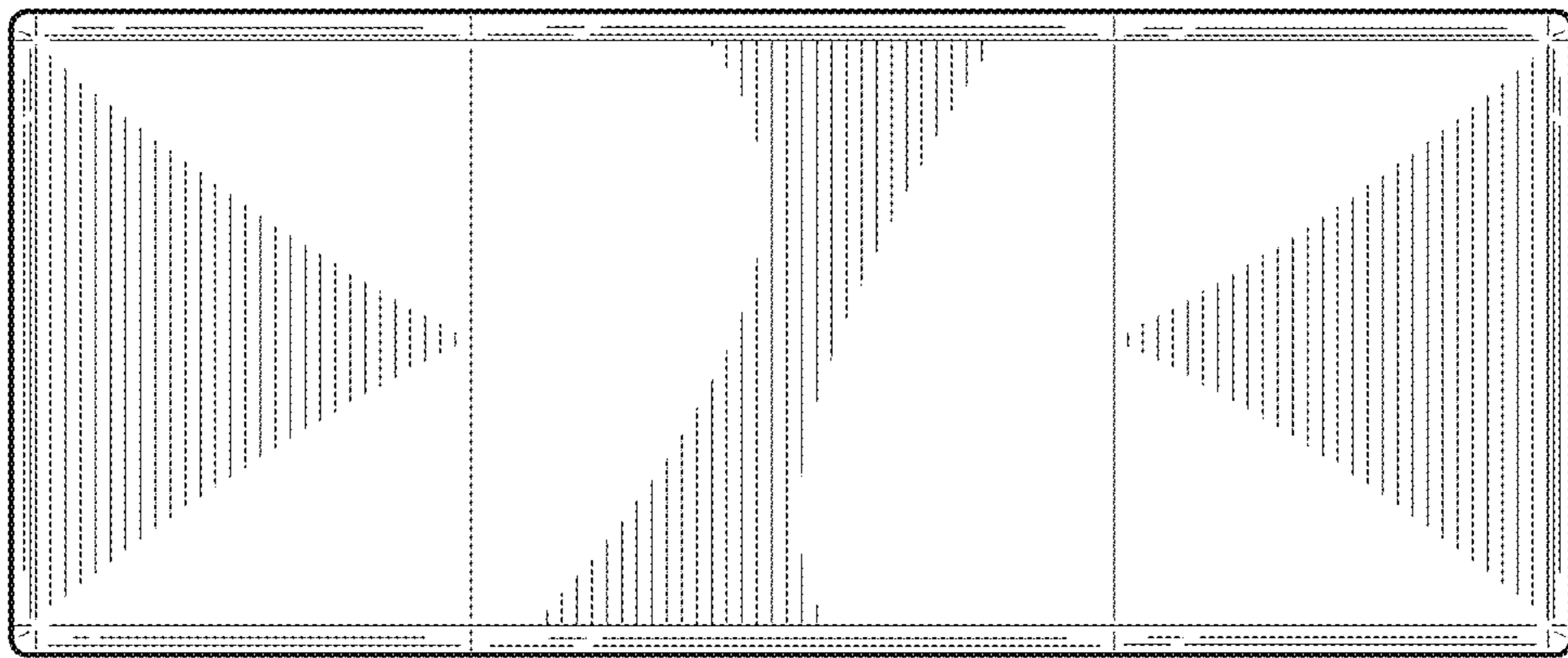


FIG. 7