



US00D796063S

(12) **United States Design Patent**
Dettbarn

(10) **Patent No.:** **US D796,063 S**

(45) **Date of Patent:** **** Aug. 29, 2017**

(54) **I-JOIST**

E04B 7/00; E04B 5/12; E04D 13/15;
E04D 13/0459; E04D 1/36

See application file for complete search history.

(71) Applicant: **PINKWOOD LTD.**, Calgary (CA)

(72) Inventor: **Richard Dettbarn**, Calgary (CA)

(73) Assignee: **PINKWOOD LTD.**, Calgary (CA)

(**) Term: **15 Years**

(21) Appl. No.: **29/560,901**

(22) Filed: **Apr. 12, 2016**

(30) **Foreign Application Priority Data**

Nov. 4, 2015 (CA) 165218

(51) **LOC (10) Cl.** **25-02**

(52) **U.S. Cl.**

USPC **D25/61**; D25/164

(58) **Field of Classification Search**

USPC D25/35, 47.1, 48.1, 48.2, 48.3, 48.4,
D25/48.7, 48.8, 55, 56, 58-61, 119-132,
D25/138, 139, 164; 52/58, 68, 96, 97,
52/204.5, 204.53, 208, 209, 255, 254,
52/287.1, 293.3, 302.6, 443, 444, 716.1,
52/716.2, 716.6-716.8, 717.01, 717.03

CPC E04F 19/00; E04F 19/02; E04F 19/022;
E04F 19/026; E04F 19/04; E04F 19/06;
E04F 19/061; E04F 13/06; E04F 13/061;
E04F 13/063; E04F 13/065; E04F 13/066;
E04F 13/068; E04C 2003/0482; E04C
3/02; E04C 3/04; E04C 3/12; E04C 3/14;
E04C 3/292; E04C 2003/0404; E04C
2003/0452; E04C 2003/046; E04B 2/00;

(56) **References Cited**

U.S. PATENT DOCUMENTS

4,356,045 A * 10/1982 Elford B27M 3/0086
144/136.1
4,456,497 A * 6/1984 Eberle B27M 3/0026
144/352
4,715,162 A * 12/1987 Brightwell E04C 3/14
52/837
5,210,990 A * 5/1993 Kirk, Jr. E04B 1/26
52/631

(Continued)

Primary Examiner — Cynthia Rivera

Assistant Examiner — Llorellys Martinez-Rivera

(74) *Attorney, Agent, or Firm* — Siritzky Law, PLLC

(57) **CLAIM**

I claim the ornamental design for an I-joist, as shown and described.

DESCRIPTION

A portion of the disclosure of this patent document contains material which is subject to copyright protection. The copyright owner has no objection to the facsimile reproduction by anyone of the patent document or the patent disclosure, as it appears in the Patent and Trademark Office patent file or records, but otherwise reserves all copyright rights whatsoever.

FIG. 1 is a perspective view of an I-joist showing my new design;

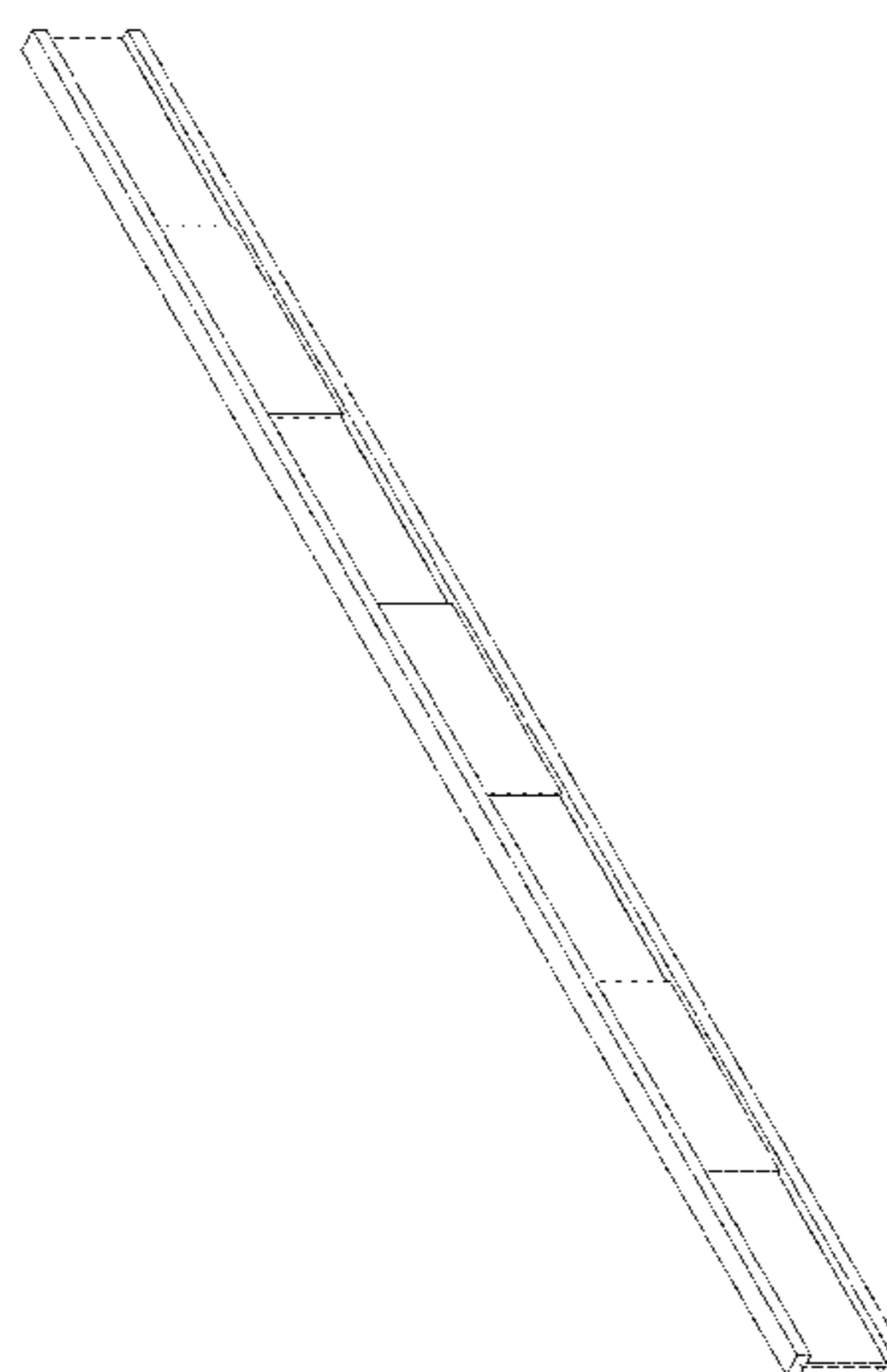
FIG. 2 is a front elevational view of the I-joist of FIG. 1, the rear elevation view being identical thereto;

FIG. 3 is a top plan view of the I-joist of FIG. 1, the bottom plan view being identical thereto;

FIG. 4 is a right side view of the right side of the I-joist of FIG. 1, the left side elevational view being identical thereto; and,

FIG. 5 is a another perspective view of the I-joist in FIG. 1.

(Continued)



The I-joist is shown with a symbolic break in its length. The appearance of any portion of the I-joist between the jagged break lines forms no part of the claimed design.

1 Claim, 5 Drawing Sheets

(56) **References Cited**

U.S. PATENT DOCUMENTS

5,974,760	A *	11/1999	Tingley	B29C 70/025 52/837
6,173,550	B1 *	1/2001	Tingley	B29C 70/025 52/837
6,460,310	B1 *	10/2002	Ford	E04C 3/14 52/837
8,561,373	B1 *	10/2013	McDonald	E04C 3/14 52/841
8,820,034	B1 *	9/2014	Watts	E04C 3/16 52/404.1
2005/0102962	A1 *	5/2005	McInerney	E04B 2/704 52/840
2007/0256389	A1 *	11/2007	Davis	E04B 5/12 52/841
2007/0261362	A1 *	11/2007	Davis	E04C 3/14 52/749.1
2008/0302037	A1 *	12/2008	Brown	E04B 5/12 52/289
2010/0037547	A1 *	2/2010	Taraba	E04B 5/12 52/289
2010/0300037	A1 *	12/2010	Turner	E04B 1/7654 52/782.1
2014/0318073	A1 *	10/2014	Sidhu	E04B 5/12 52/702

* cited by examiner

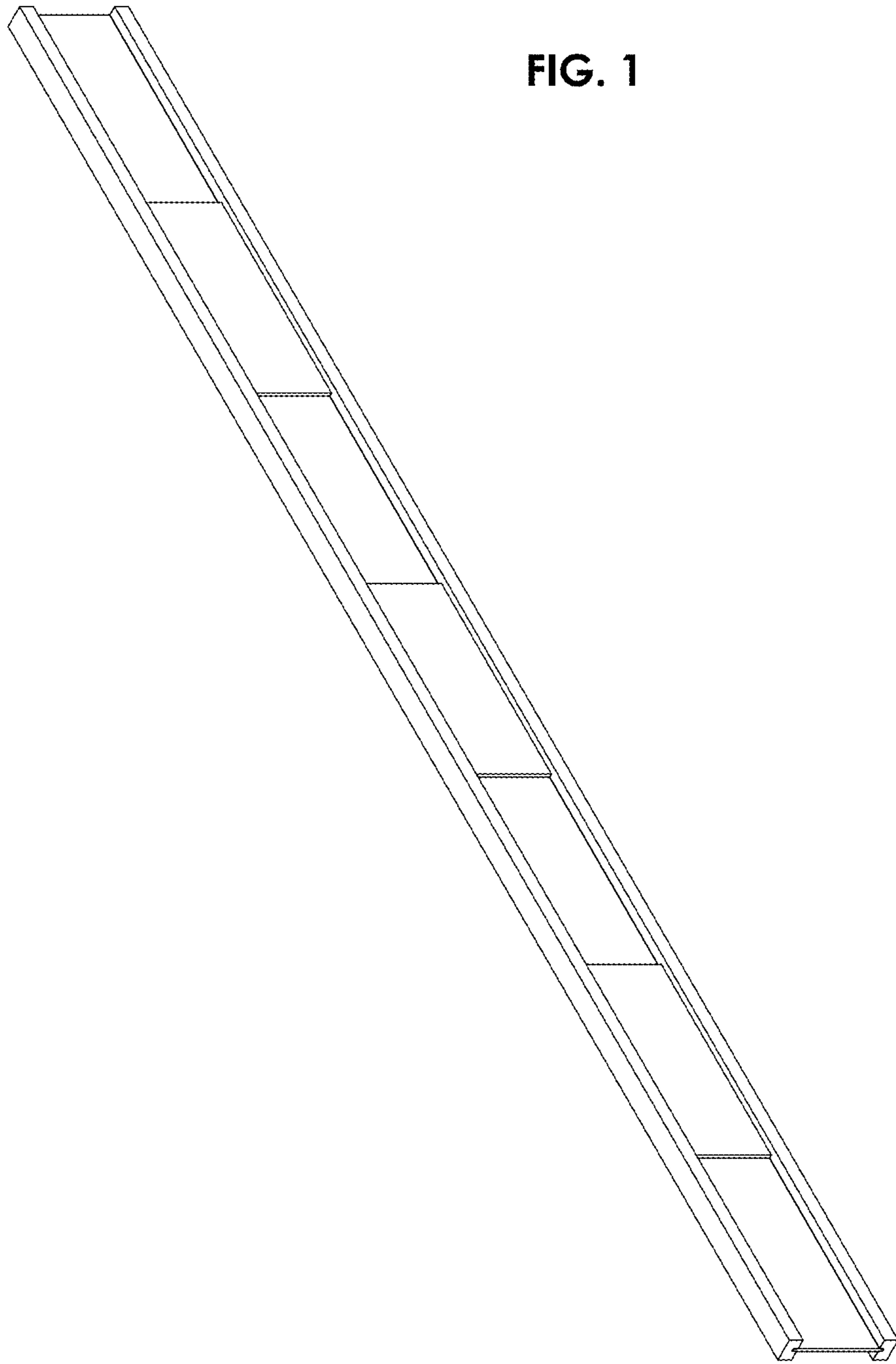


FIG. 1

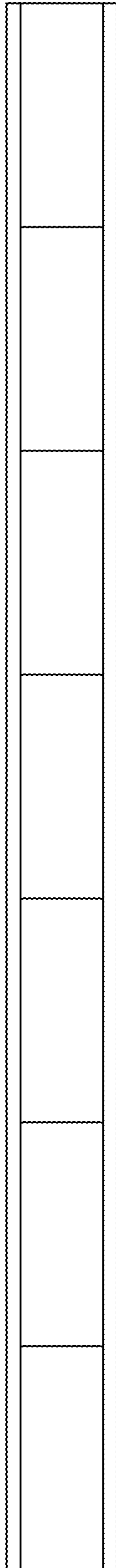


FIG. 2



FIG. 3

FIG. 4

