



US00D796056S

(12) **United States Design Patent** (10) **Patent No.:** **US D796,056 S**  
**Saito** (45) **Date of Patent:** **\*\* Aug. 29, 2017**

(54) **BIOCHEMICAL ANALYZER**

D720,079 S \* 12/2014 Oonuma ..... D24/216  
D722,179 S \* 2/2015 Oonuma ..... D24/216

(71) Applicant: **Tokyo Boeki Medisys Inc.**, Hino-shi,  
Tokyo (JP)

\* cited by examiner

(72) Inventor: **Toshimasa Saito**, Hino (JP)

*Primary Examiner* — Wan Laymon

*Assistant Examiner* — Mark Booker

(73) Assignee: **TOKYO BOEKI MEDISYS INC.**,  
Hino-Shi, Tokyo (JP)

(74) *Attorney, Agent, or Firm* — Shlesinger, Arkwright &  
Garvey LLP

(\*\*) Term: **15 Years**

(57) **CLAIM**

The ornamental design for the biochemical analyzer, as  
shown and described.

(21) Appl. No.: **29/565,472**

**DESCRIPTION**

(22) Filed: **May 20, 2016**

(51) **LOC (10) Cl.** ..... **24-01**

(52) **U.S. Cl.**

USPC ..... **D24/232**

(58) **Field of Classification Search**

USPC ..... D24/107, 127, 169, 186, 216, 217, 219,  
D24/223, 224, 231-233; D10/46, 81;  
442/62-65, 67, 70, 81, 500, 506, 561;  
435/287.1, 287.3; 436/43, 45, 47

CPC ..... G01N 33/54373; G01N 2035/0441; G01N  
2021/3155; G01N 2035/00326; Y10T  
436/11; B01L 2200/028; B01L 3/508;  
B01L 3/545; C11D 11/0041; G01J 3/0291

See application file for complete search history.

(56) **References Cited**

**U.S. PATENT DOCUMENTS**

D560,131 S \* 1/2008 Hu ..... D10/81  
D681,227 S \* 4/2013 Oonuma ..... D24/216  
D715,455 S \* 10/2014 Oonuma ..... D24/186

FIG. 1 is a front, top and right side perspective view of a  
biochemical analyzer showing a first embodiment of my  
new design and where the convex portion thereof is trans-  
lucent;

FIG. 2 is a front elevational view thereof;

FIG. 3 is a rear elevational view thereof;

FIG. 4 is a top plan view thereof;

FIG. 5 is a bottom plan view thereof;

FIG. 6 is left side elevational view thereof;

FIG. 7 is a right side elevational view thereof;

FIG. 8 is a front, top and right side perspective view of a  
biochemical analyzer showing a second embodiment of my  
new design and where the convex portion is opaque;

FIG. 9 is a front elevational view thereof;

FIG. 10 is a rear elevational view thereof;

FIG. 11 is a top plan view thereof;

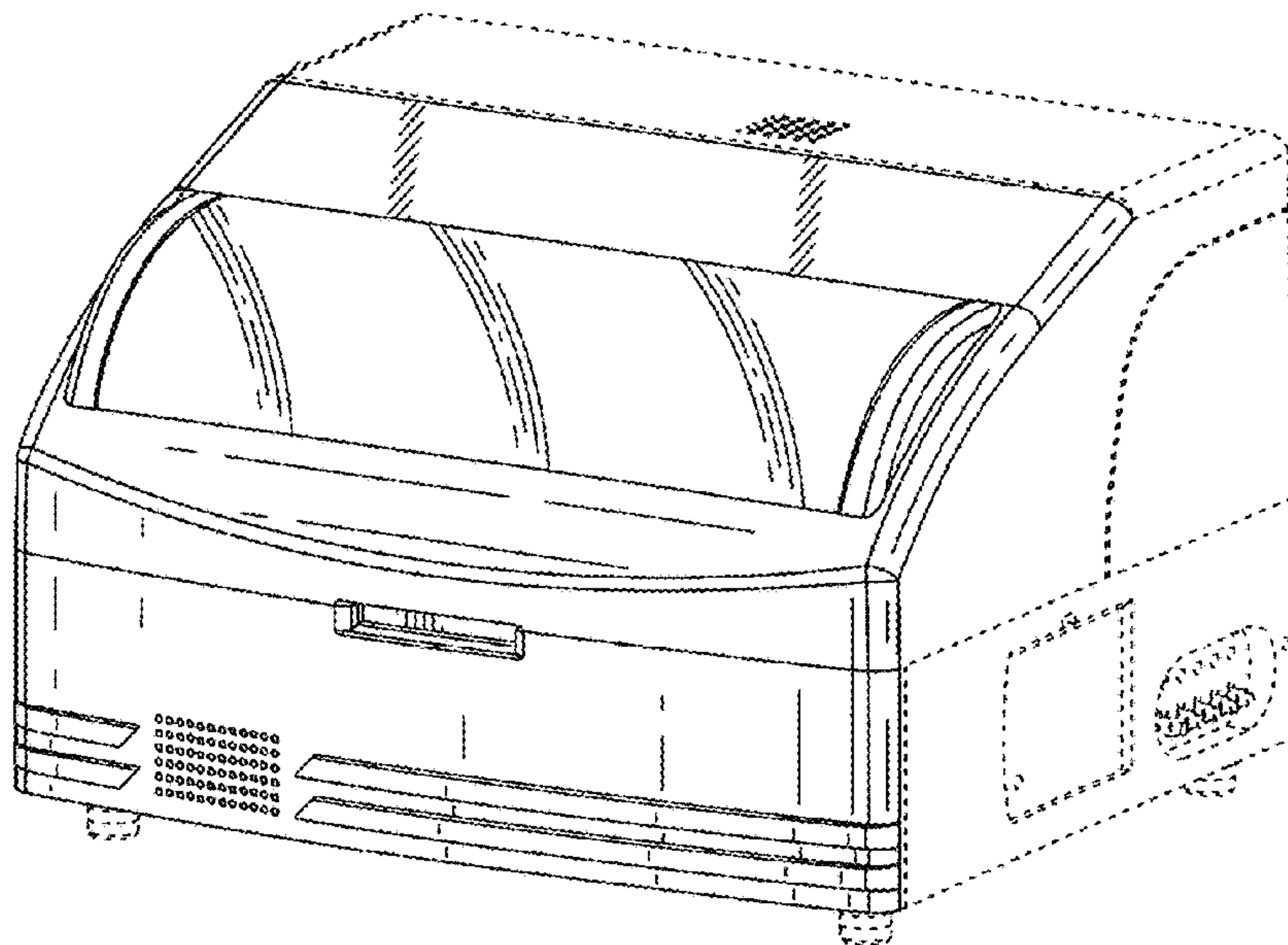
FIG. 12 is a bottom plan view thereof;

FIG. 13 is left side elevational view thereof; and,

FIG. 14 is a right side elevational view thereof.

The broken lines shown in the drawings represent portions  
of the biochemical analyzer that form no part of the claimed  
design.

**1 Claim, 8 Drawing Sheets**



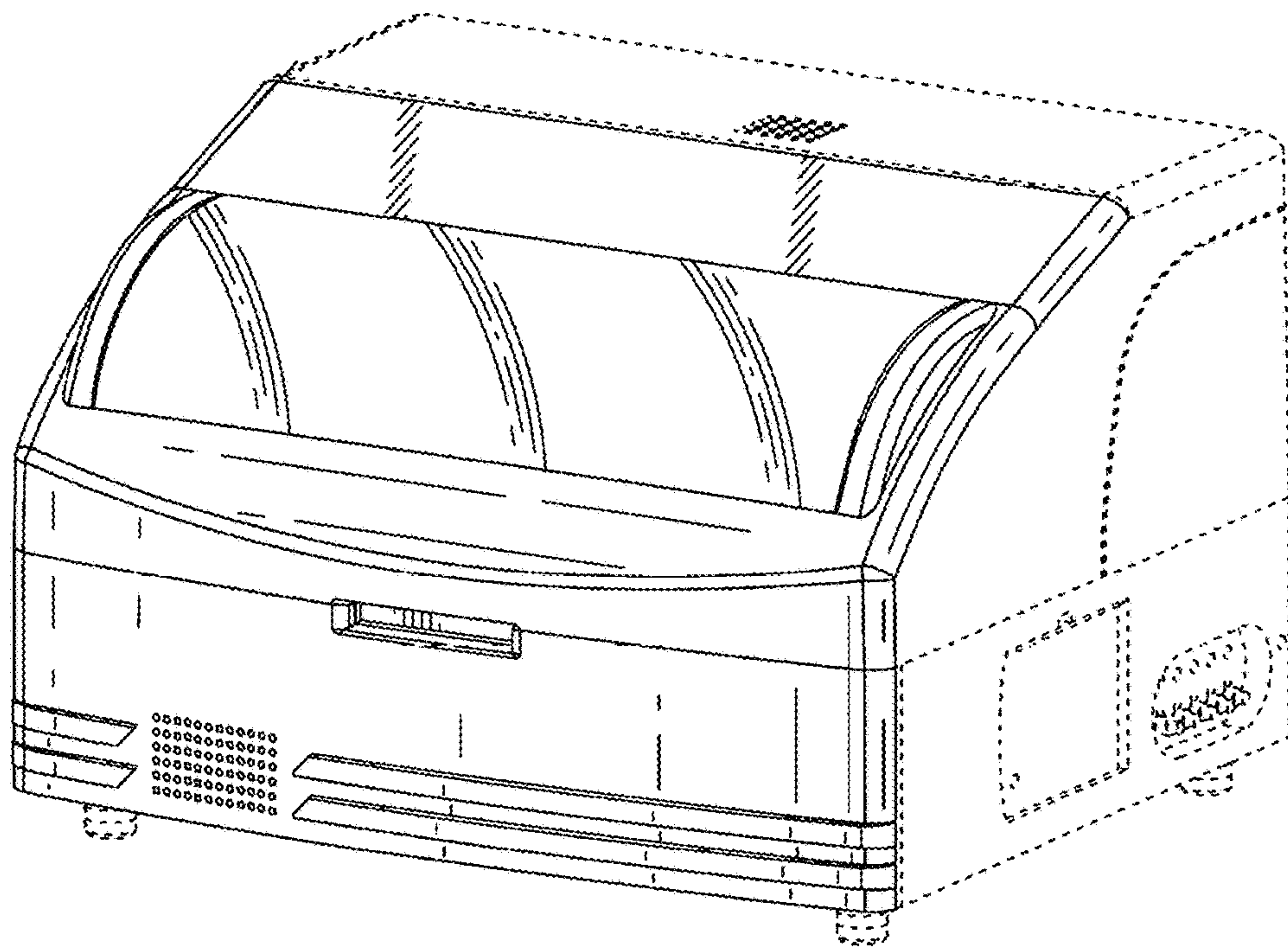


FIG. 1

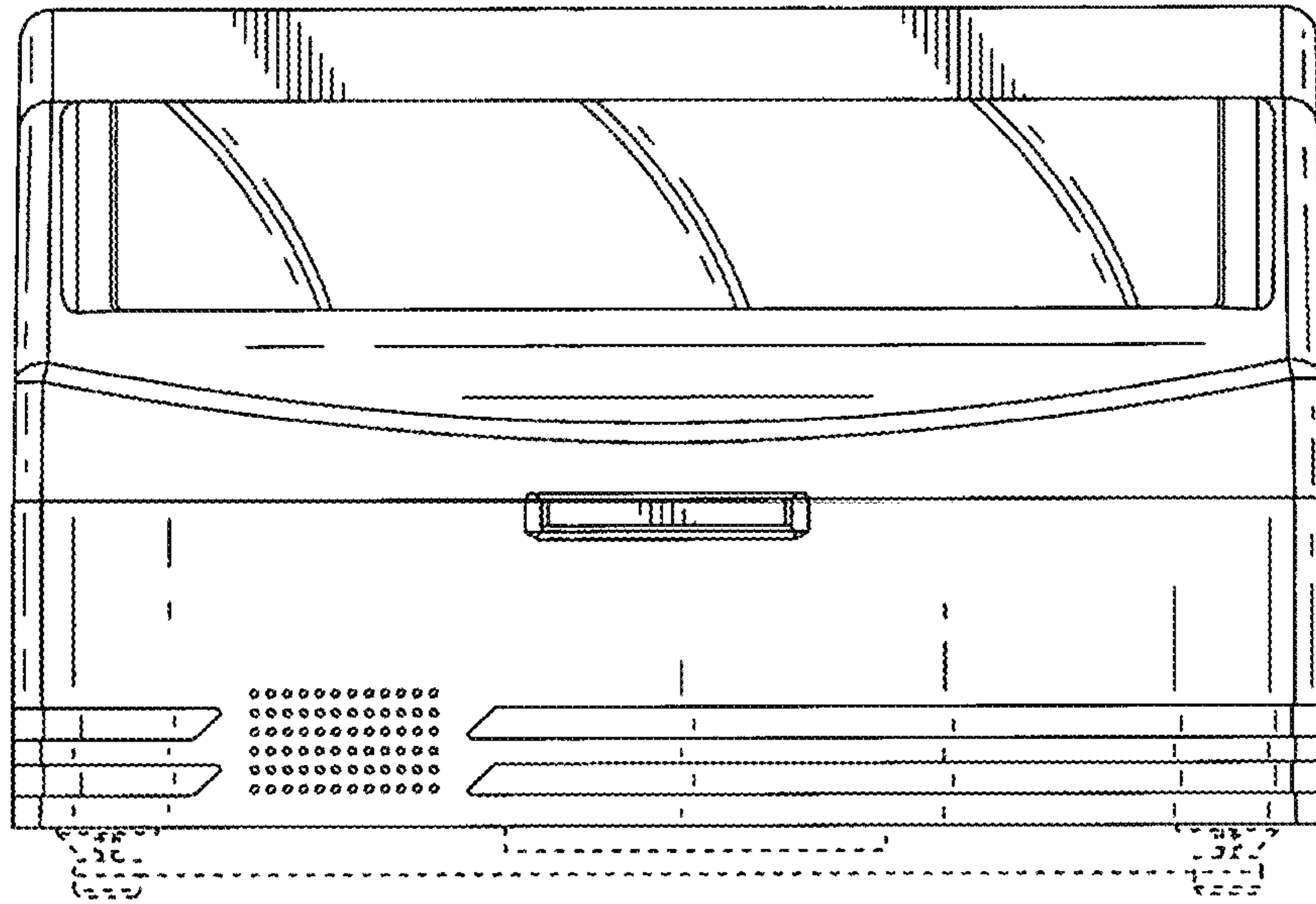


FIG. 2

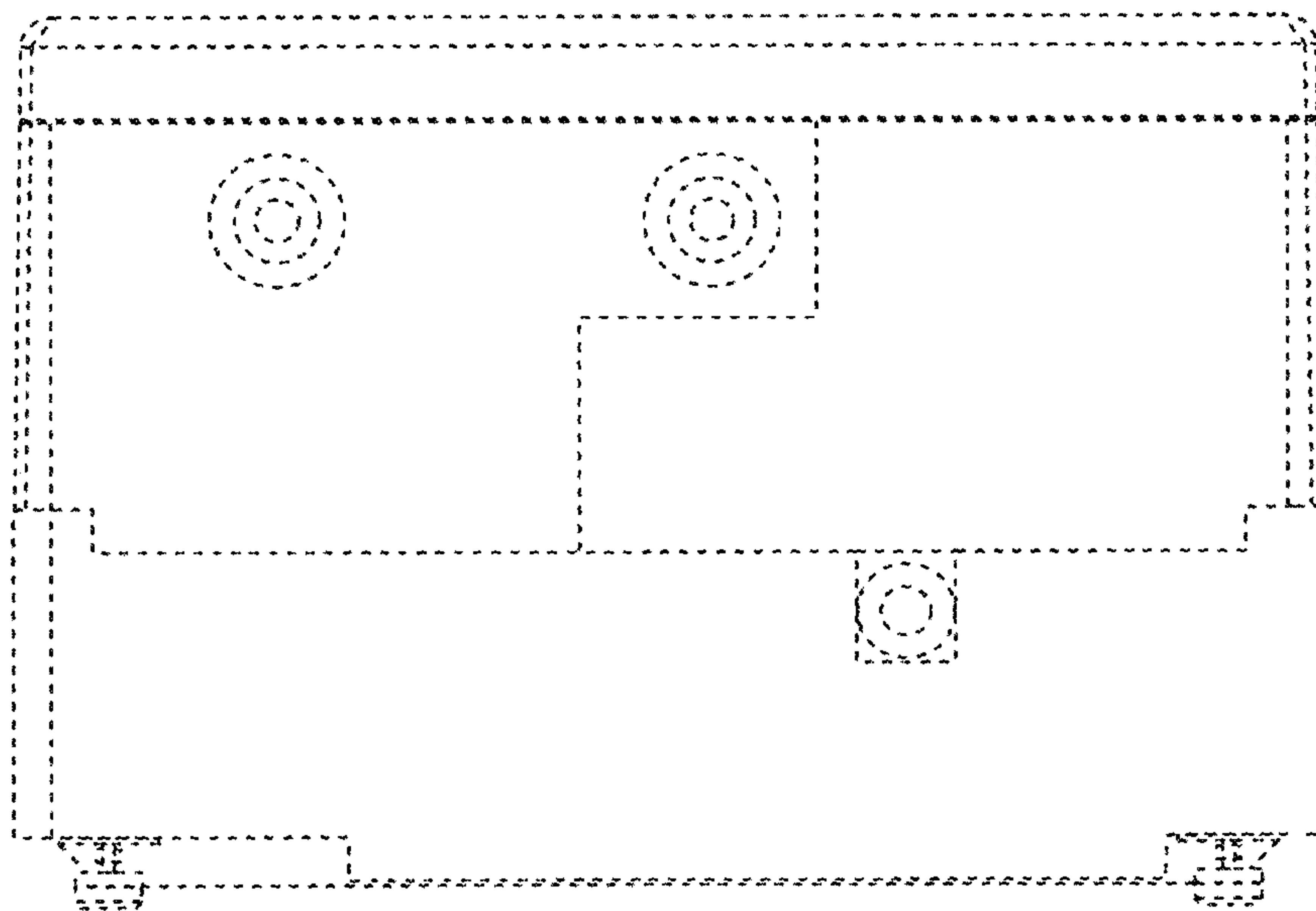


FIG. 3



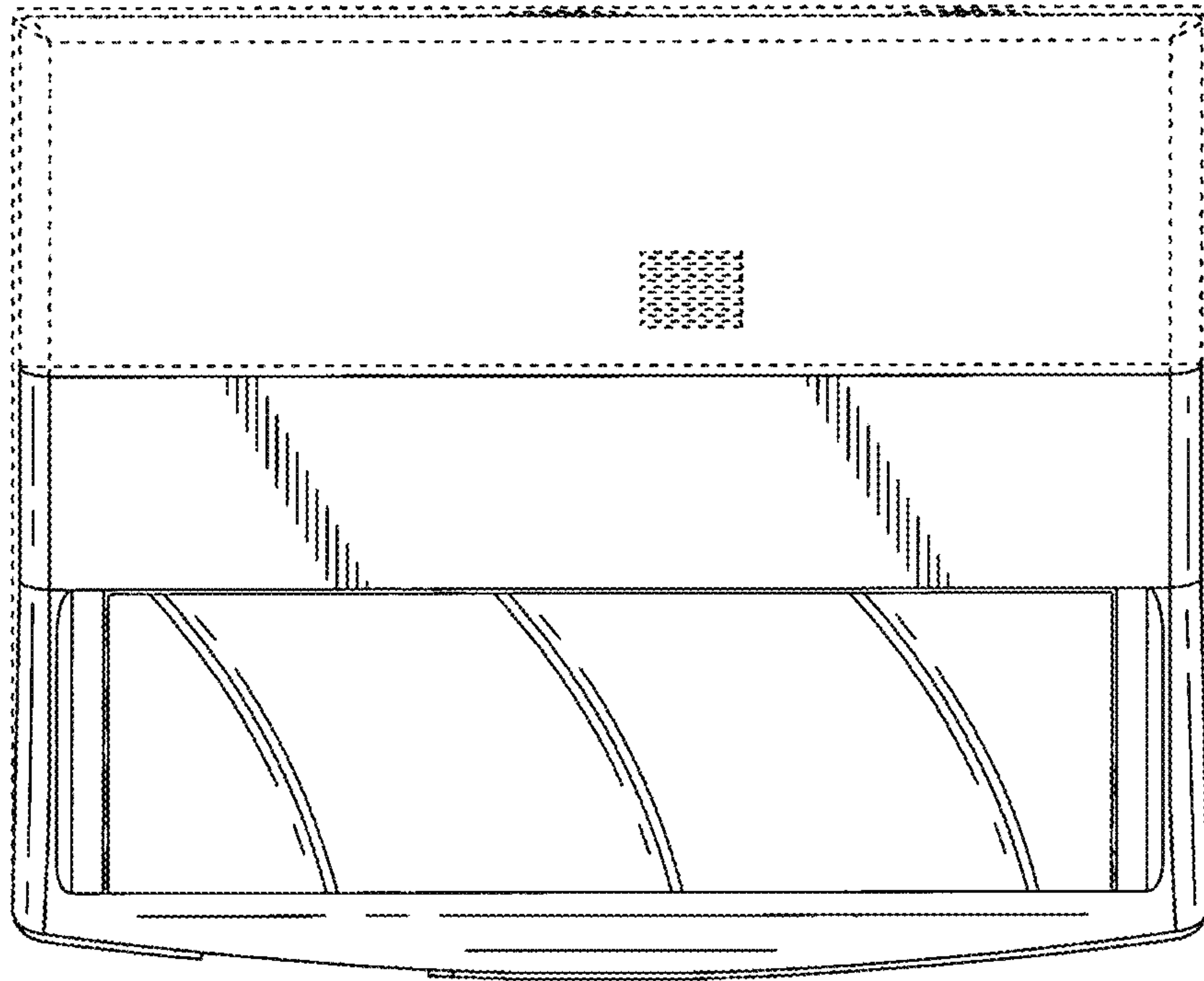


FIG. 4

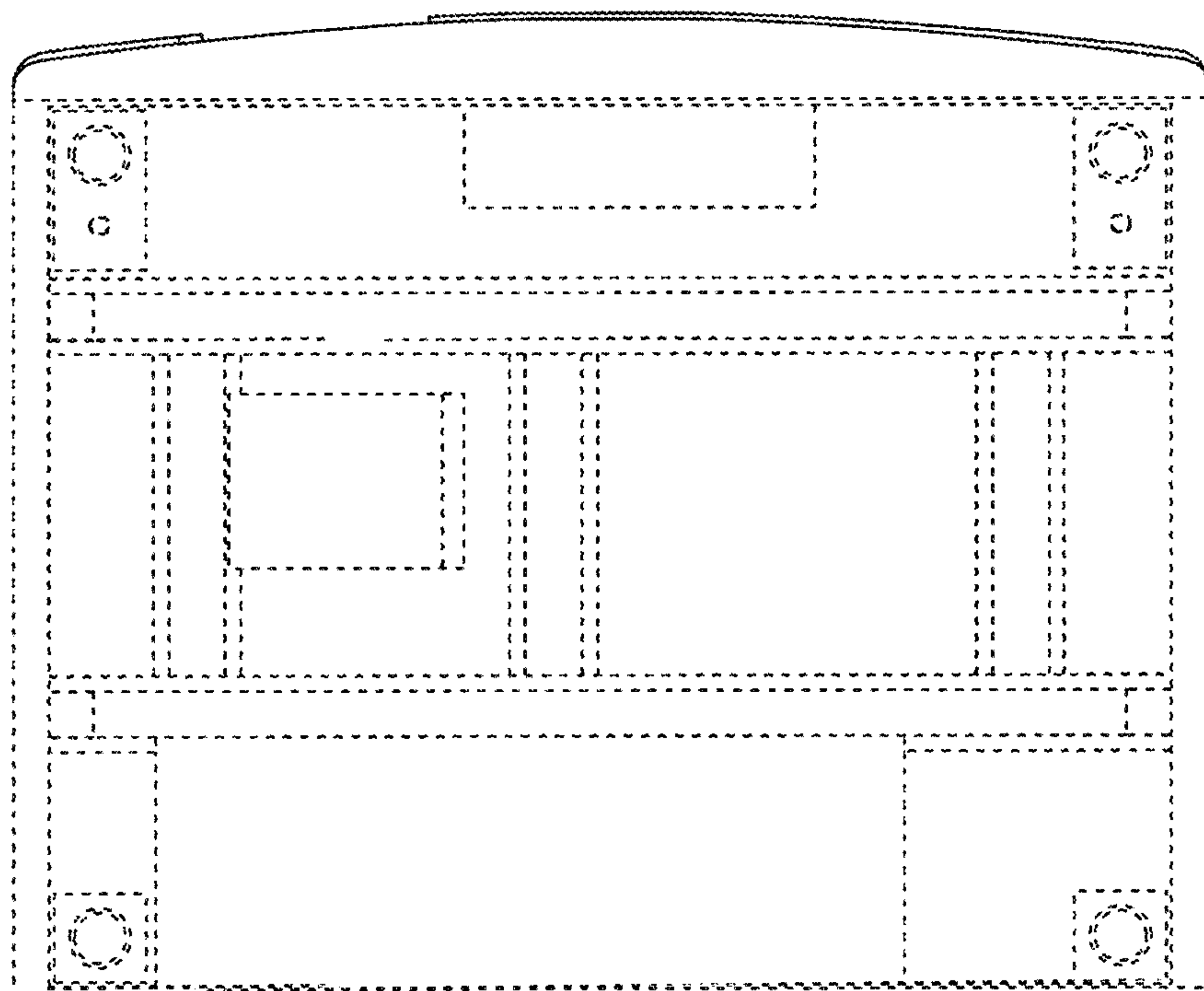


FIG. 5

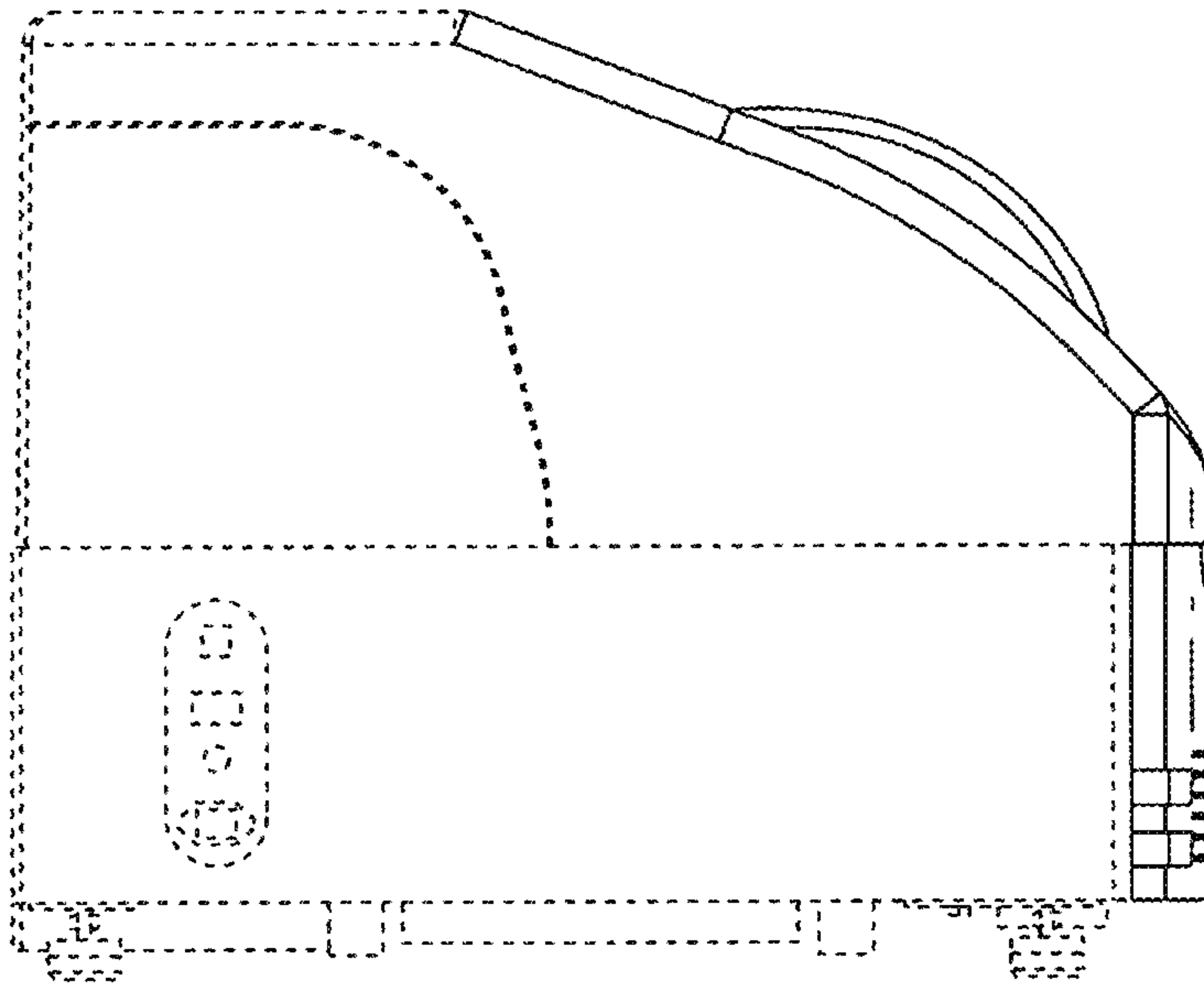


FIG. 6

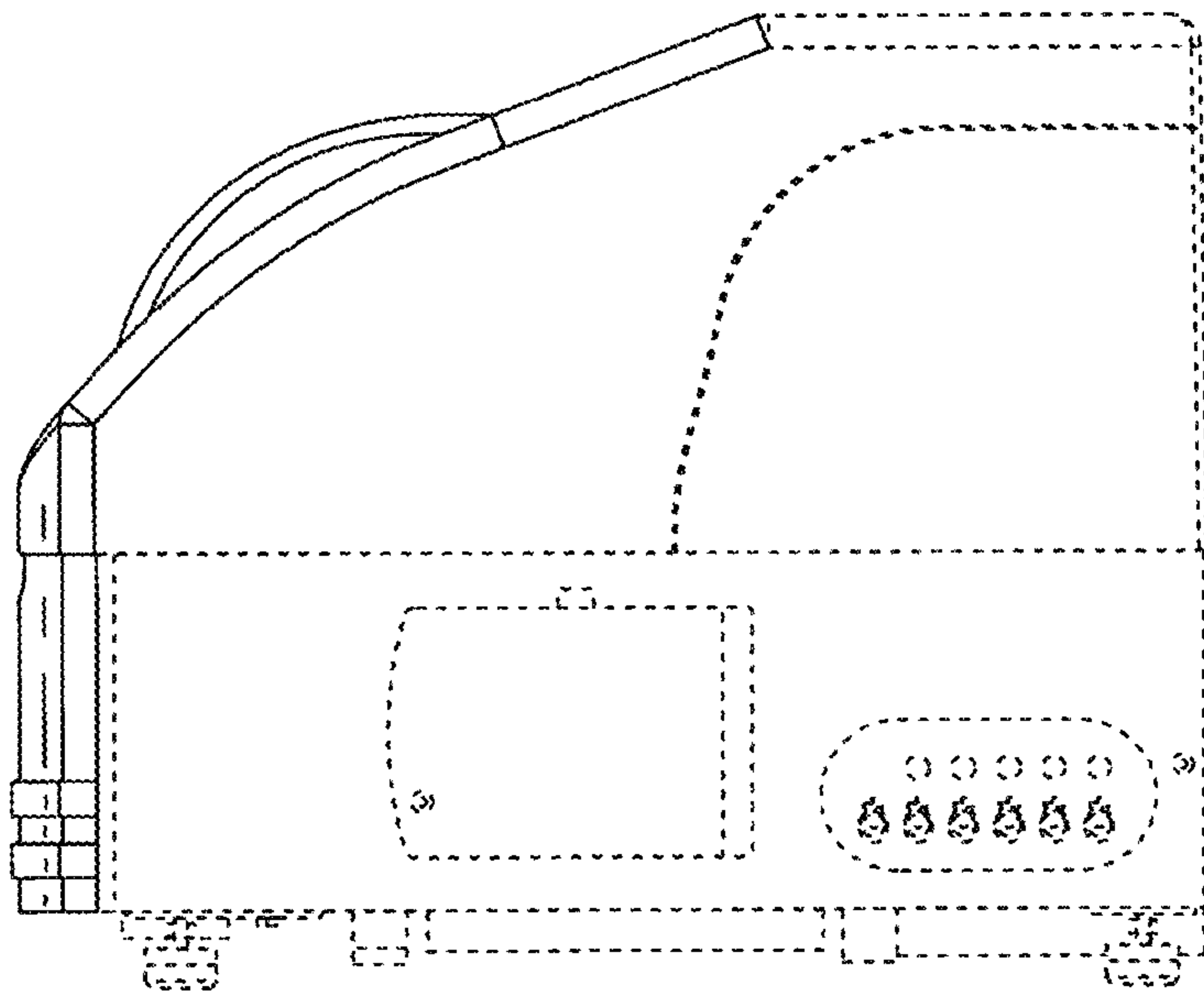


FIG. 7

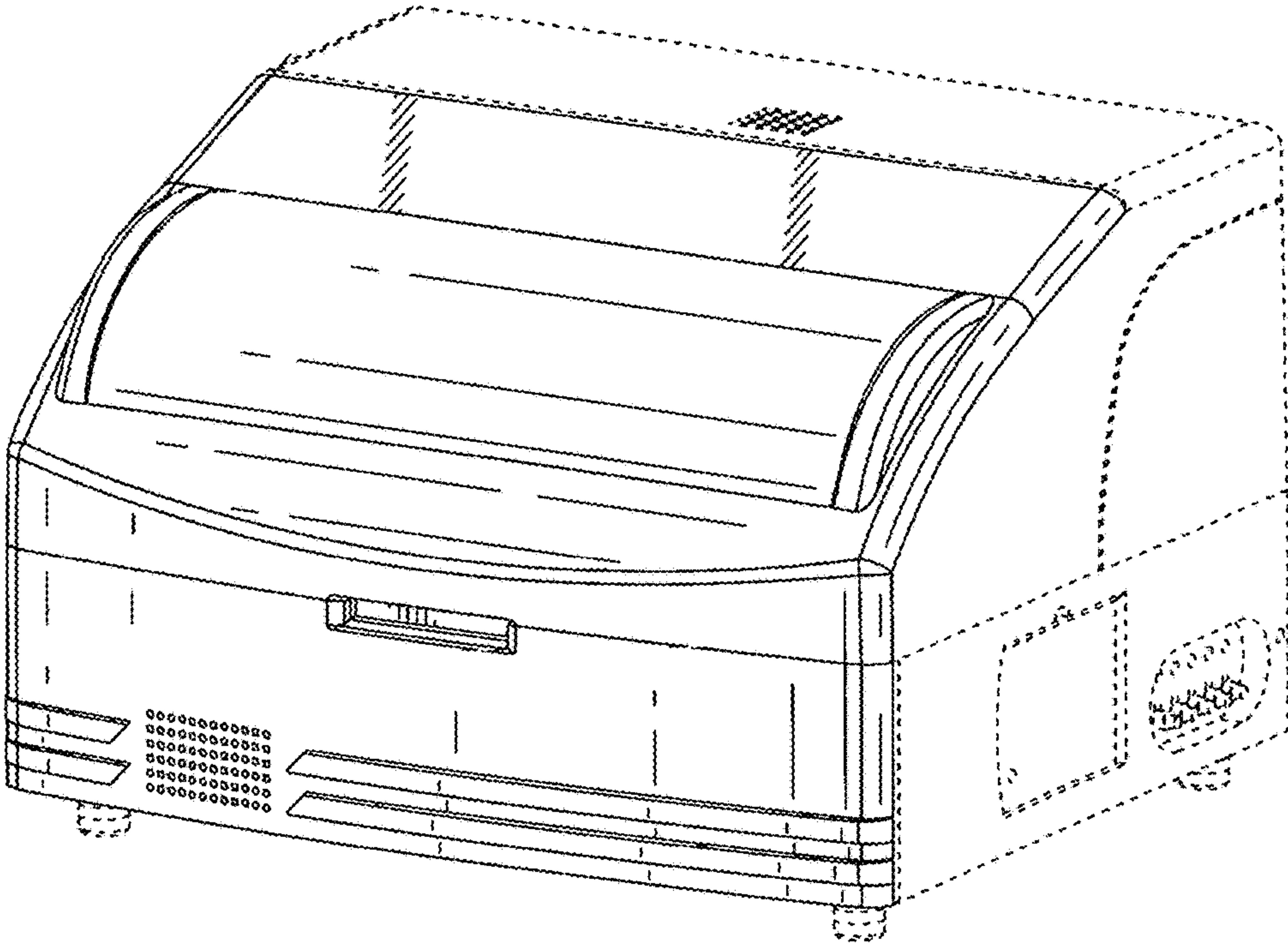


FIG. 8

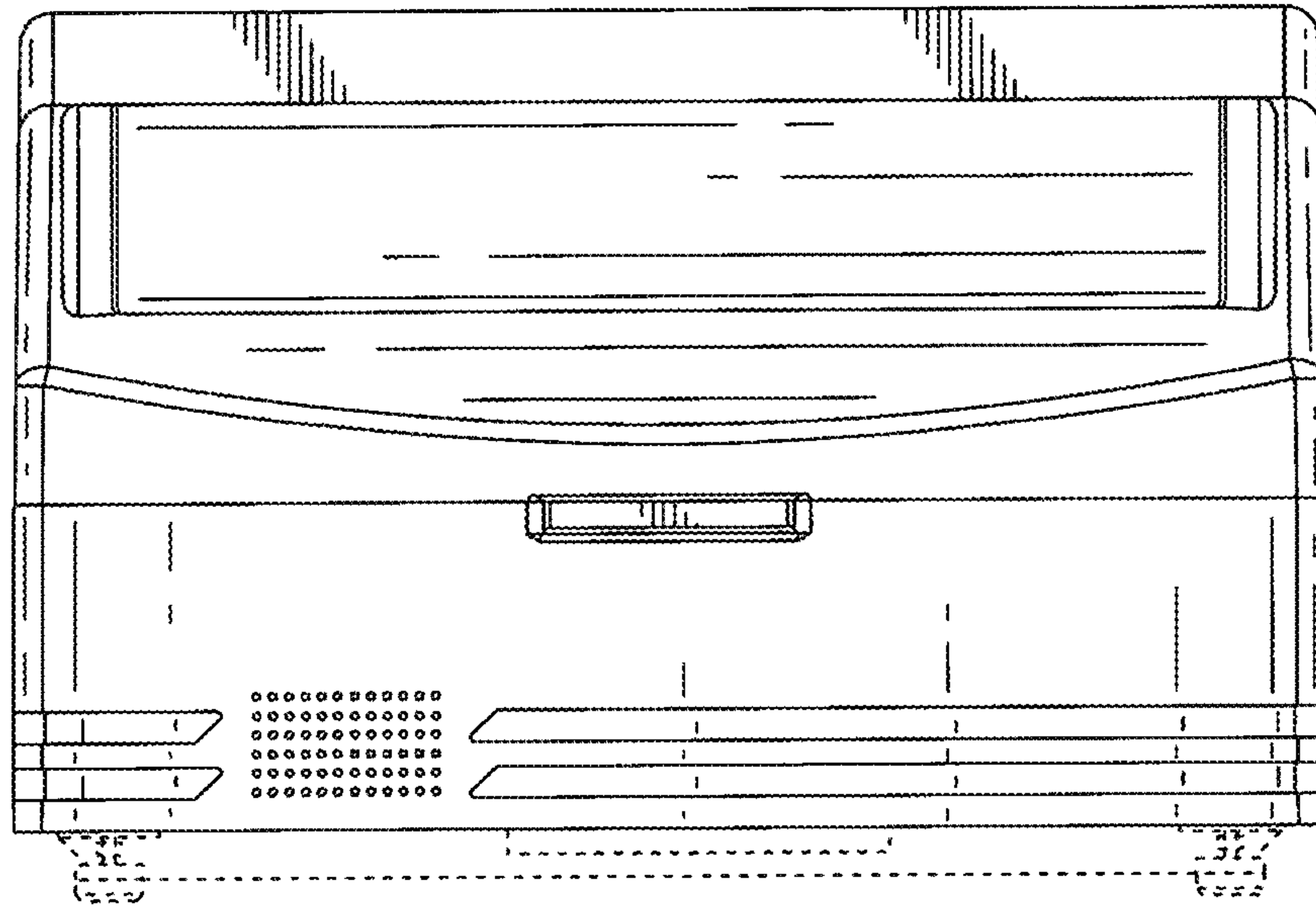


FIG. 9

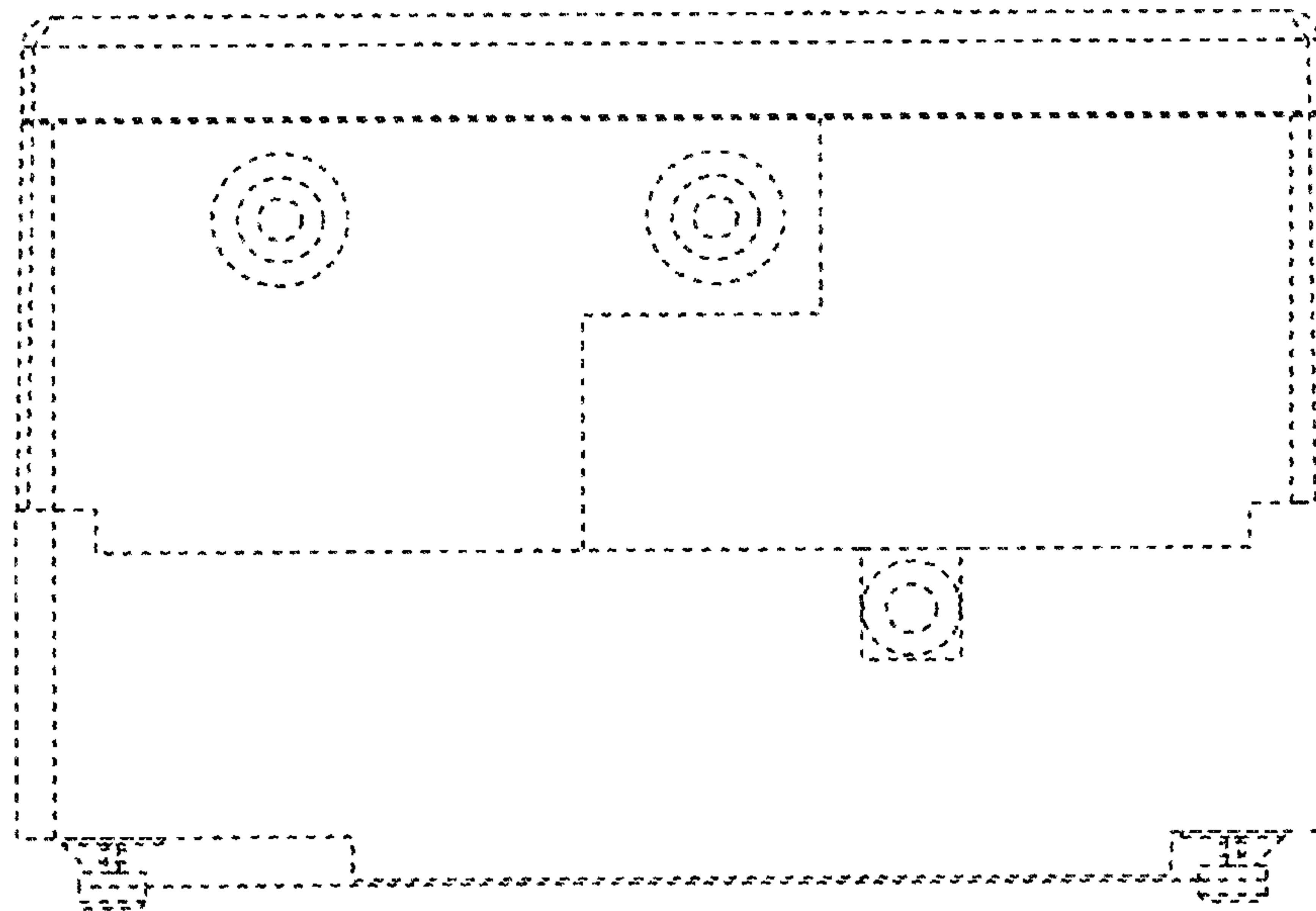


FIG. 10

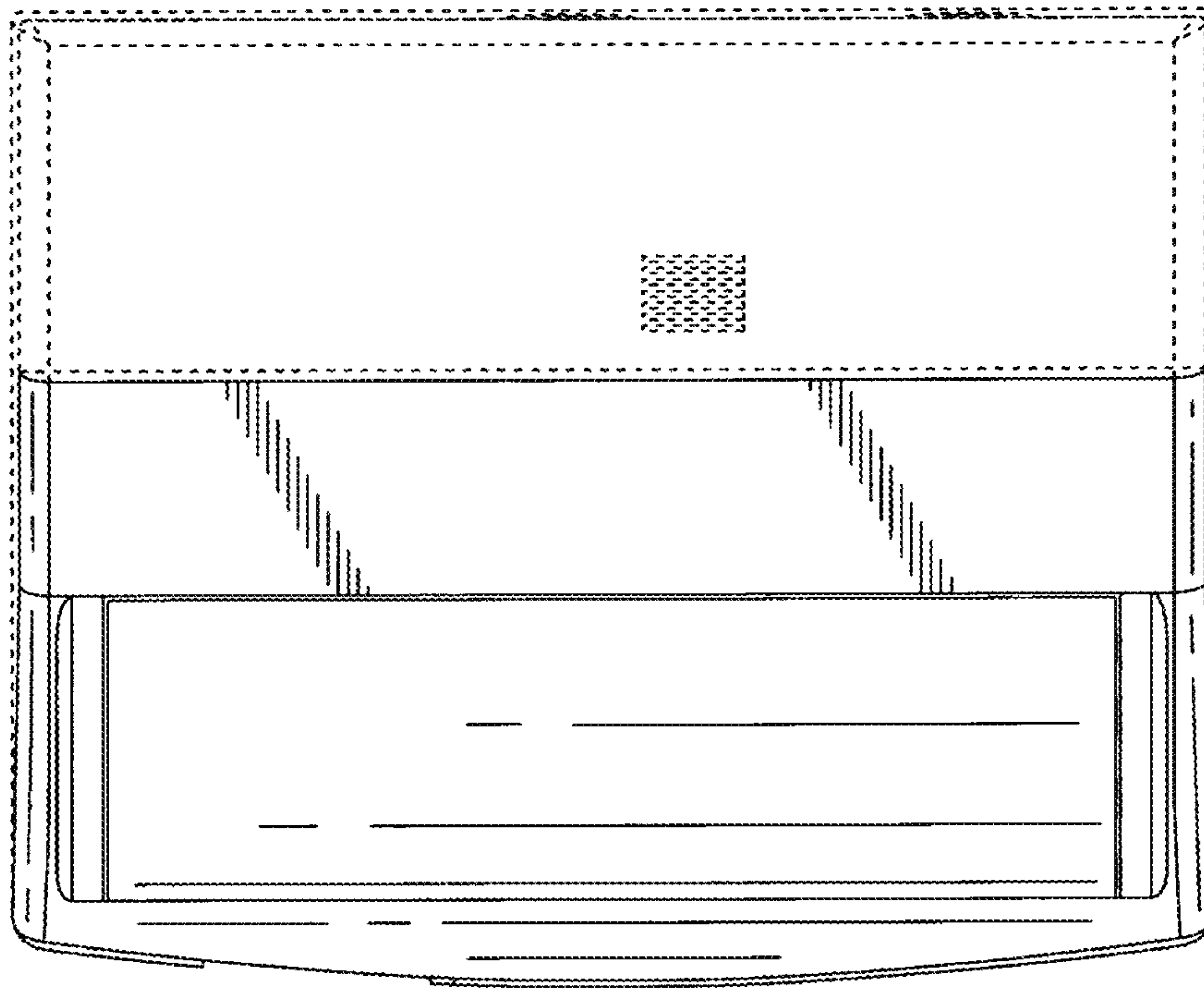


FIG. 11

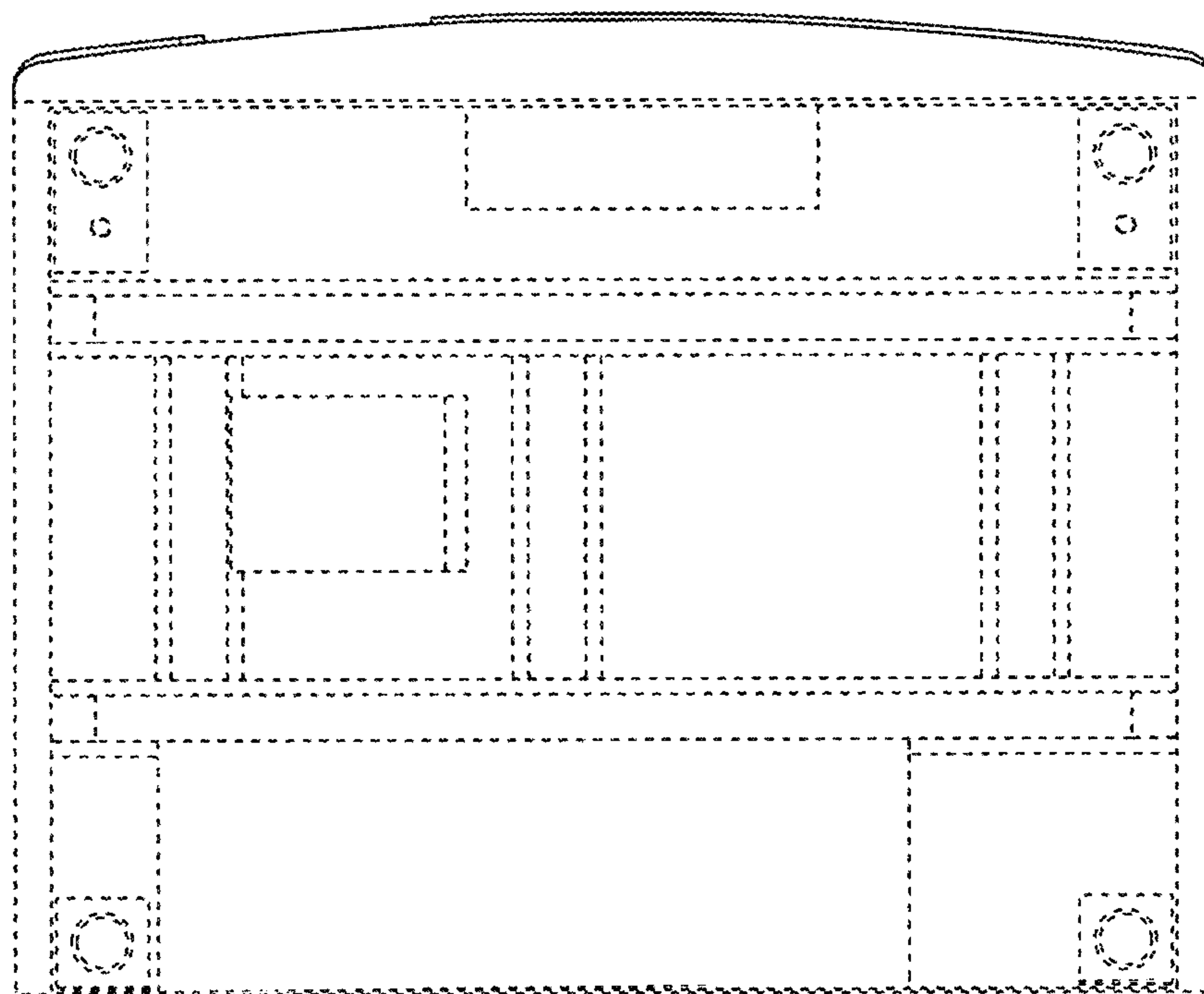


FIG. 12



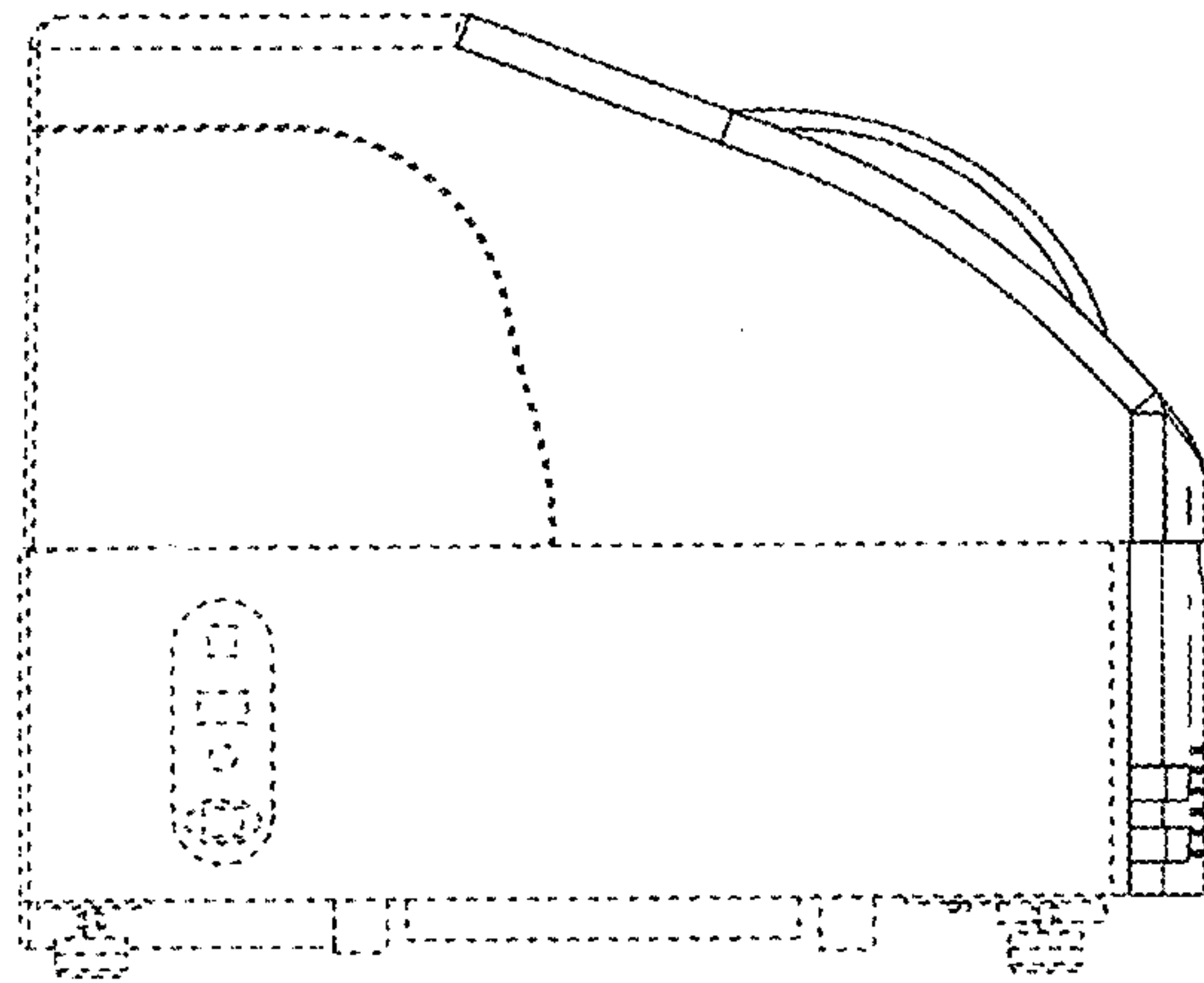


FIG. 13

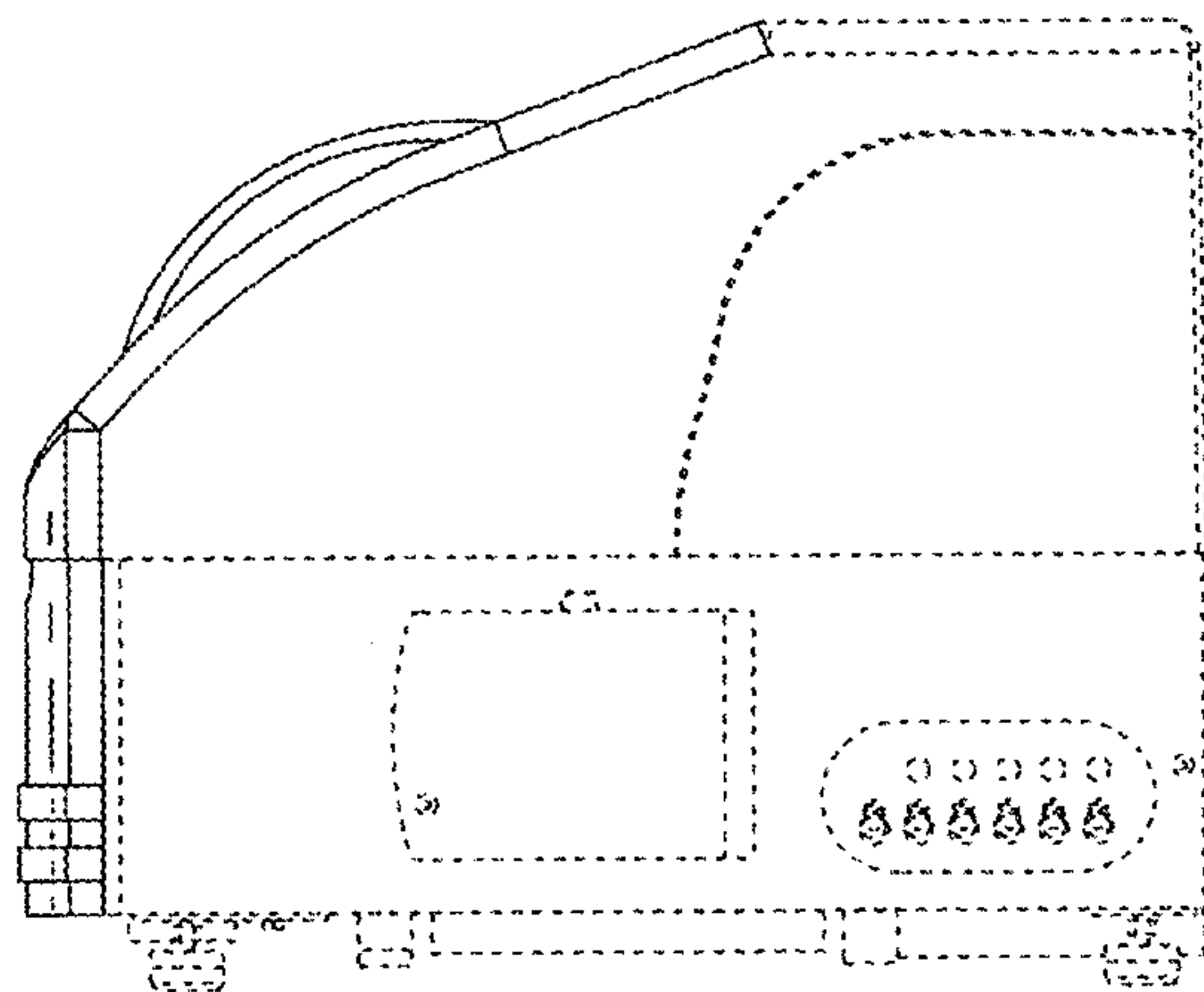


FIG. 14