



US00D796050S

(12) **United States Design Patent** (10) **Patent No.:** **US D796,050 S**
Nishikawa et al. (45) **Date of Patent:** **** Aug. 29, 2017**

(54) **IMMUNOCHROMATOGRAPHIC TEST DEVICE**

D733,917 S * 7/2015 Klein D24/232
D753,311 S * 4/2016 Long D24/186
D772,086 S * 11/2016 Schueren D10/81

(71) Applicant: **SEKISUI MEDICAL CO., LTD.**,
Tokyo (JP)

* cited by examiner

(72) Inventors: **Masato Nishikawa**, Osaka (JP); **Kazuo Kotani**, Tokyo (JP); **Motoki Morita**, Tokyo (JP); **Keigo Kohno**, Tokyo (JP)

Primary Examiner — Wan Laymon
Assistant Examiner — Mark Booker

(73) Assignee: **Seksui Medical Co., Ltd.**, Tokyo (JP)

(74) *Attorney, Agent, or Firm* — Muncy, Geissler, Olds & Lowe, P.C.

(**) Term: **15 Years**

(57) **CLAIM**

The ornamental design for an immunochromatographic test device, as shown and described.

(21) Appl. No.: **29/566,907**

DESCRIPTION

(22) Filed: **Jun. 3, 2016**

(30) **Foreign Application Priority Data**

May 26, 2016 (JP) 2016-11197

(51) **LOC (10) Cl.** **24-01**

(52) **U.S. Cl.**
USPC **D24/186**

(58) **Field of Classification Search**
USPC D24/186, 107-108, 169, 216, 223-225,
D24/229-232; D10/81; 422/63-64, 68.1,
422/85.05, 82.05, 554, 561, 565, 420;
435/287.2

CPC G01N 33/558; G01N 33/56944; Y10S
436/806; Y10S 977/918; Y10S 436/809;
B01D 15/3804; B01D 15/10; B01D
15/3809; B01D 15/3857; B01L
2300/0867; G06K 9/00127

See application file for complete search history.

(56) **References Cited**

U.S. PATENT DOCUMENTS

D678,530 S * 3/2013 Khan D24/186
D686,311 S * 7/2013 Mori D24/108

FIG. 1 is a front right perspective view of an immunochromatographic test device according to the present invention. FIG. 2 is a front view of the immunochromatographic test device of FIG. 1. FIG. 3 is a rear view of the immunochromatographic test device of FIG. 1. FIG. 4 is a top view of the immunochromatographic test device of FIG. 1. FIG. 5 is a bottom view of the immunochromatographic test device of FIG. 1. FIG. 6 is a right side view of the immunochromatographic test device of FIG. 1. FIG. 7 is a left side view of the immunochromatographic test device of FIG. 1; and, FIG. 8 is a front right perspective view of the immunochromatographic test device of FIG. 1 with a test drawer in an open position. The dash-dash-dash-dash broken lines shown in the figures represent portions of the immunochromatographic test device that form no part of the claimed design. The dash-dot-dash-dot broken line showing immediately adjacent the shaded areas represents boundaries to the claimed design and forms no part of the claimed design.

1 Claim, 6 Drawing Sheets

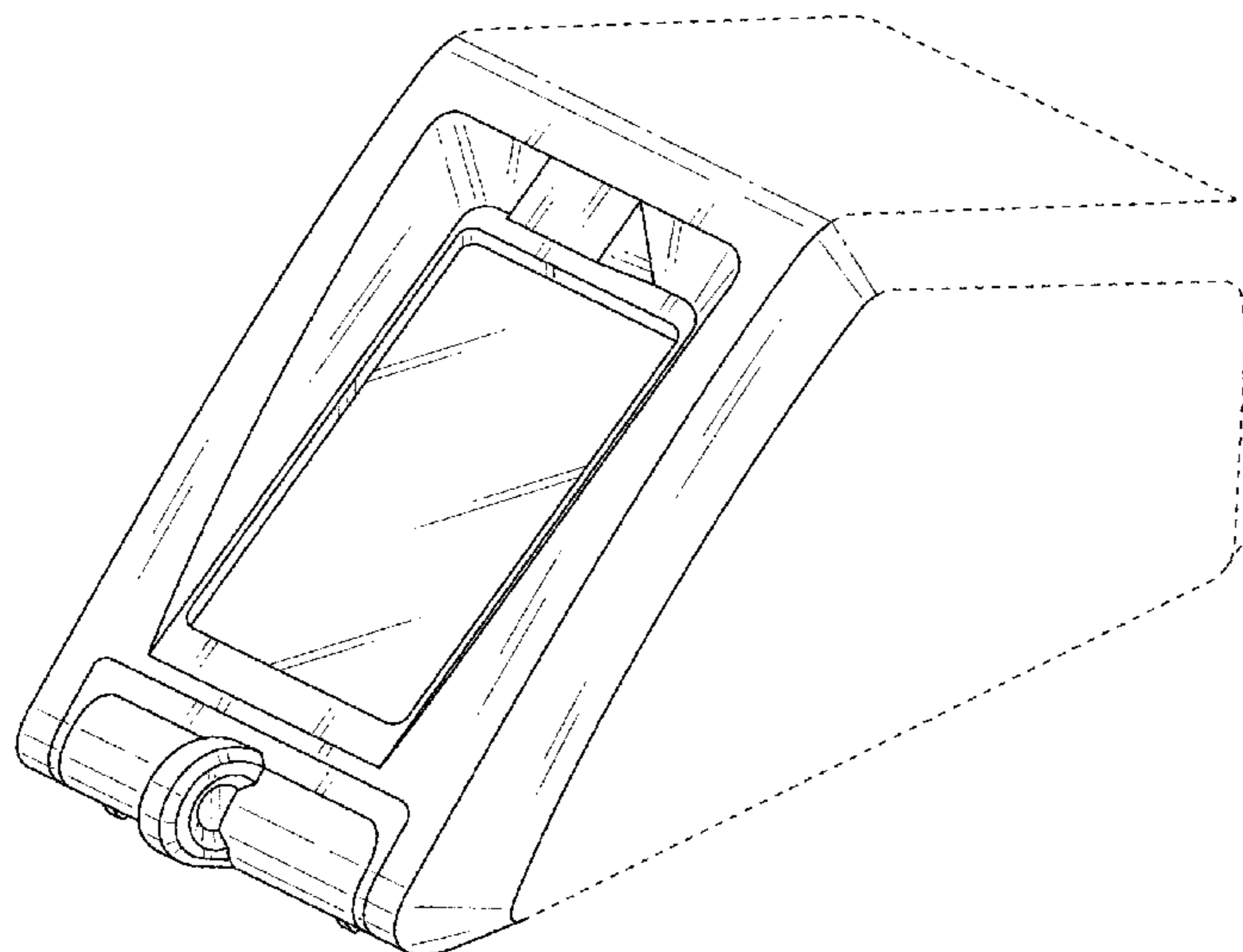


Fig. 1

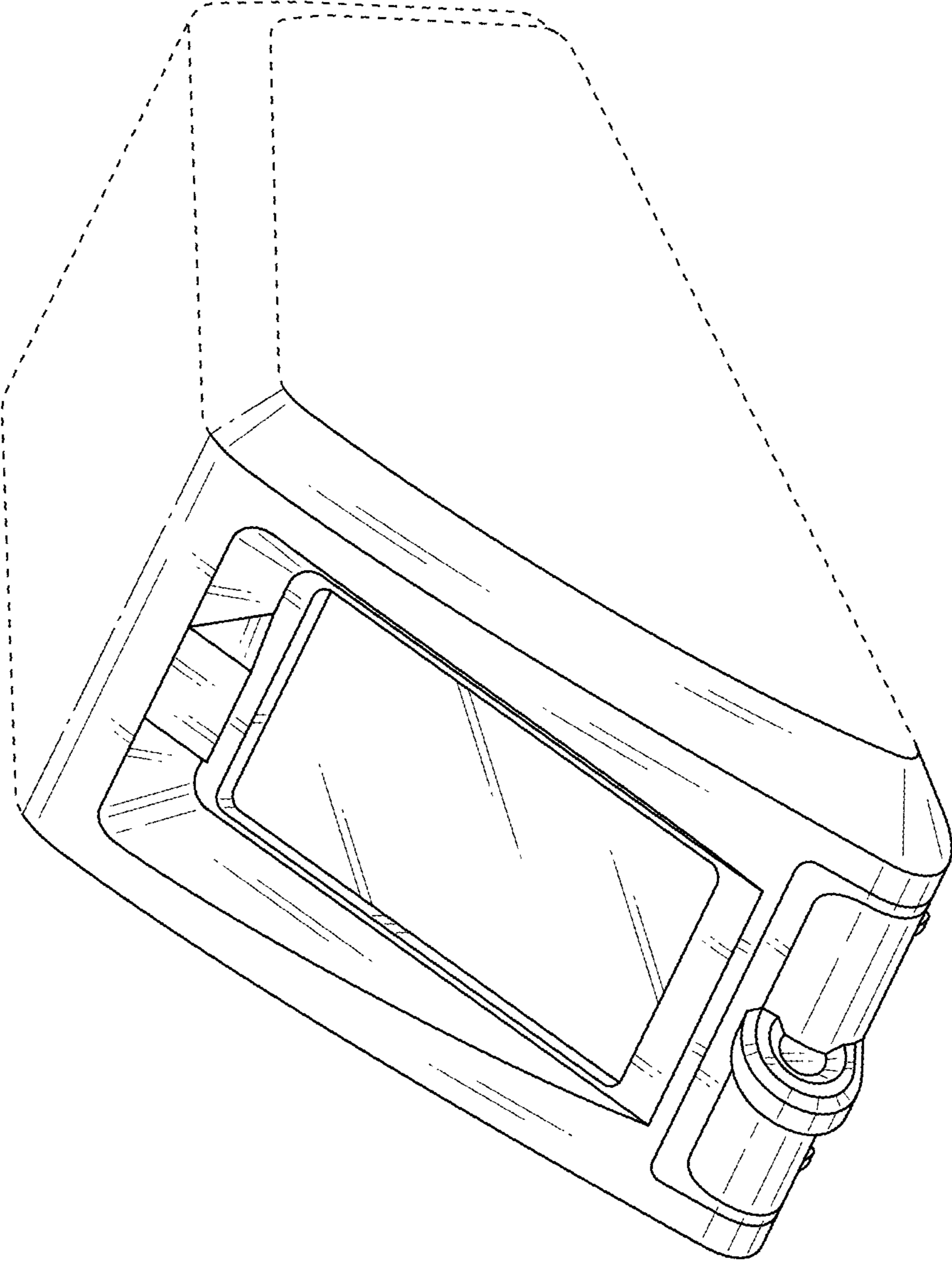


Fig. 3

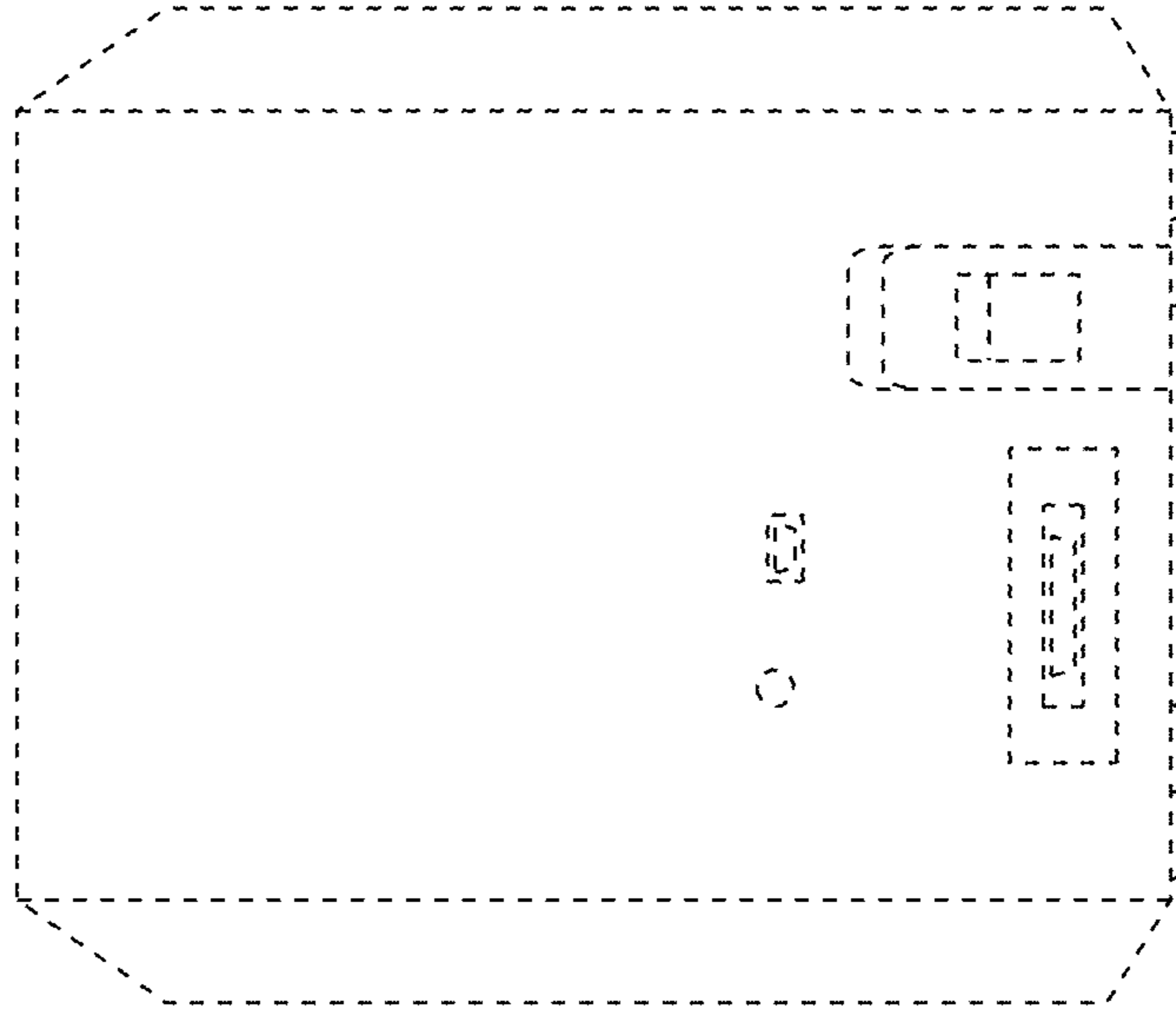


Fig. 2

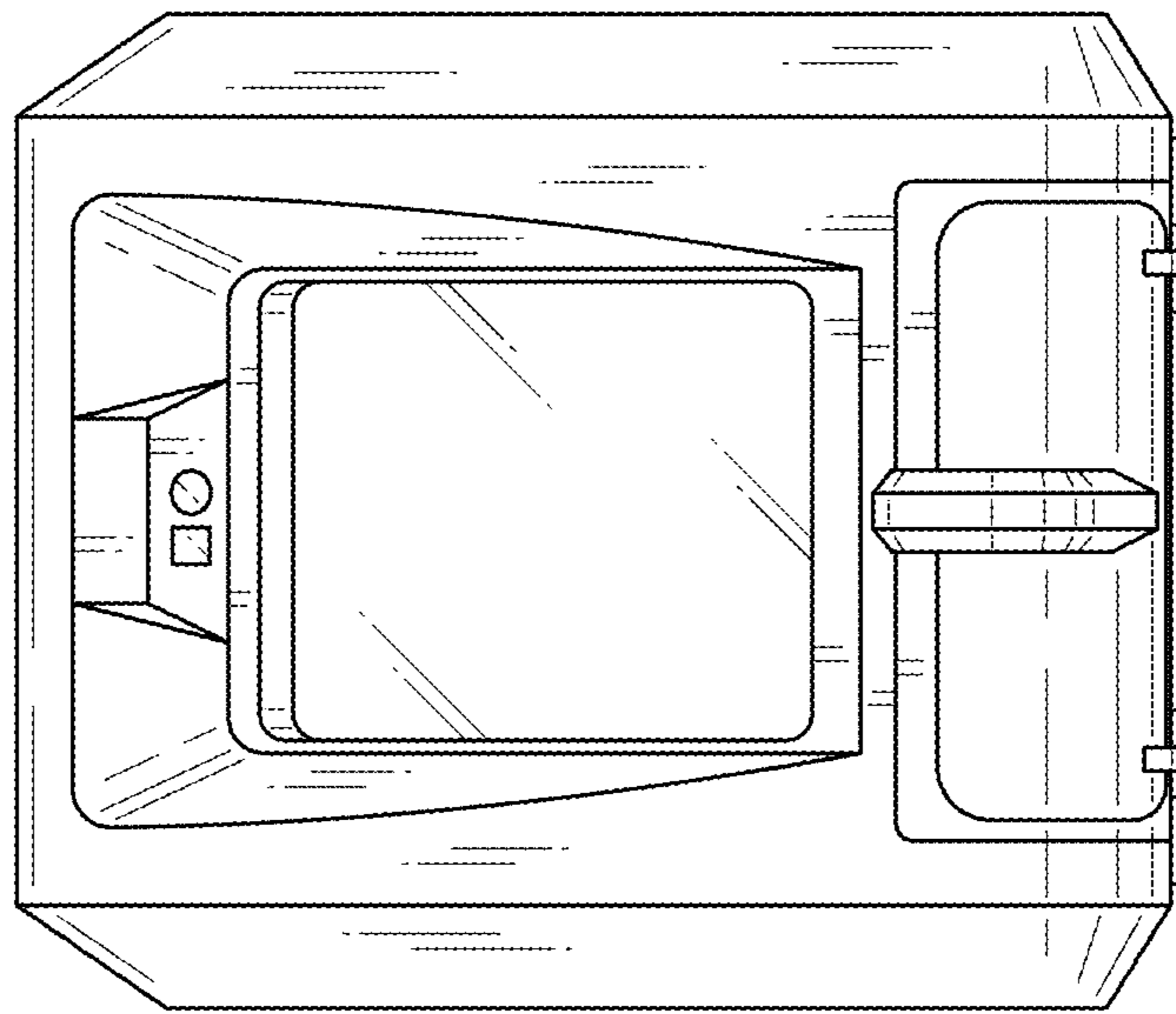


Fig. 5

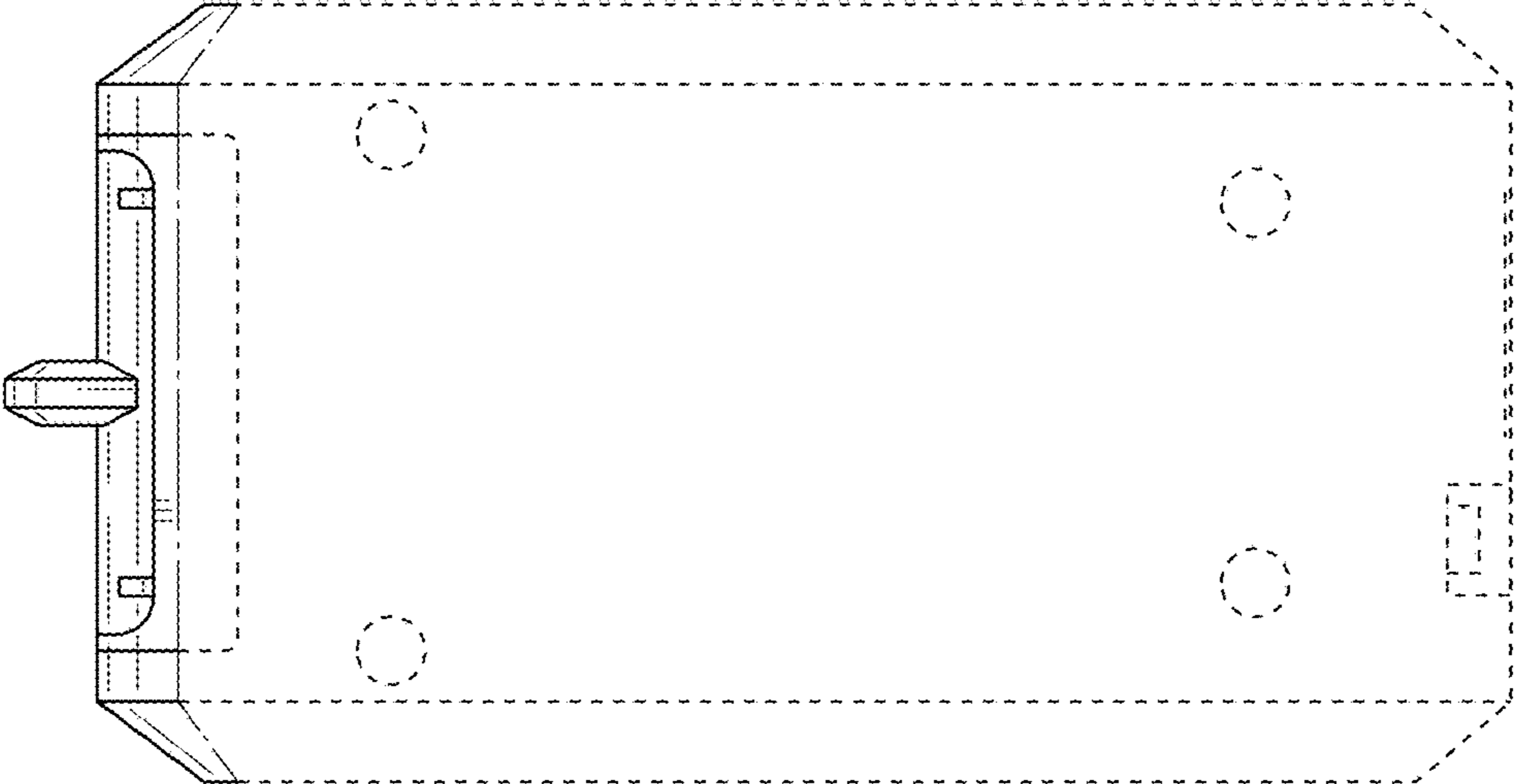


Fig. 4

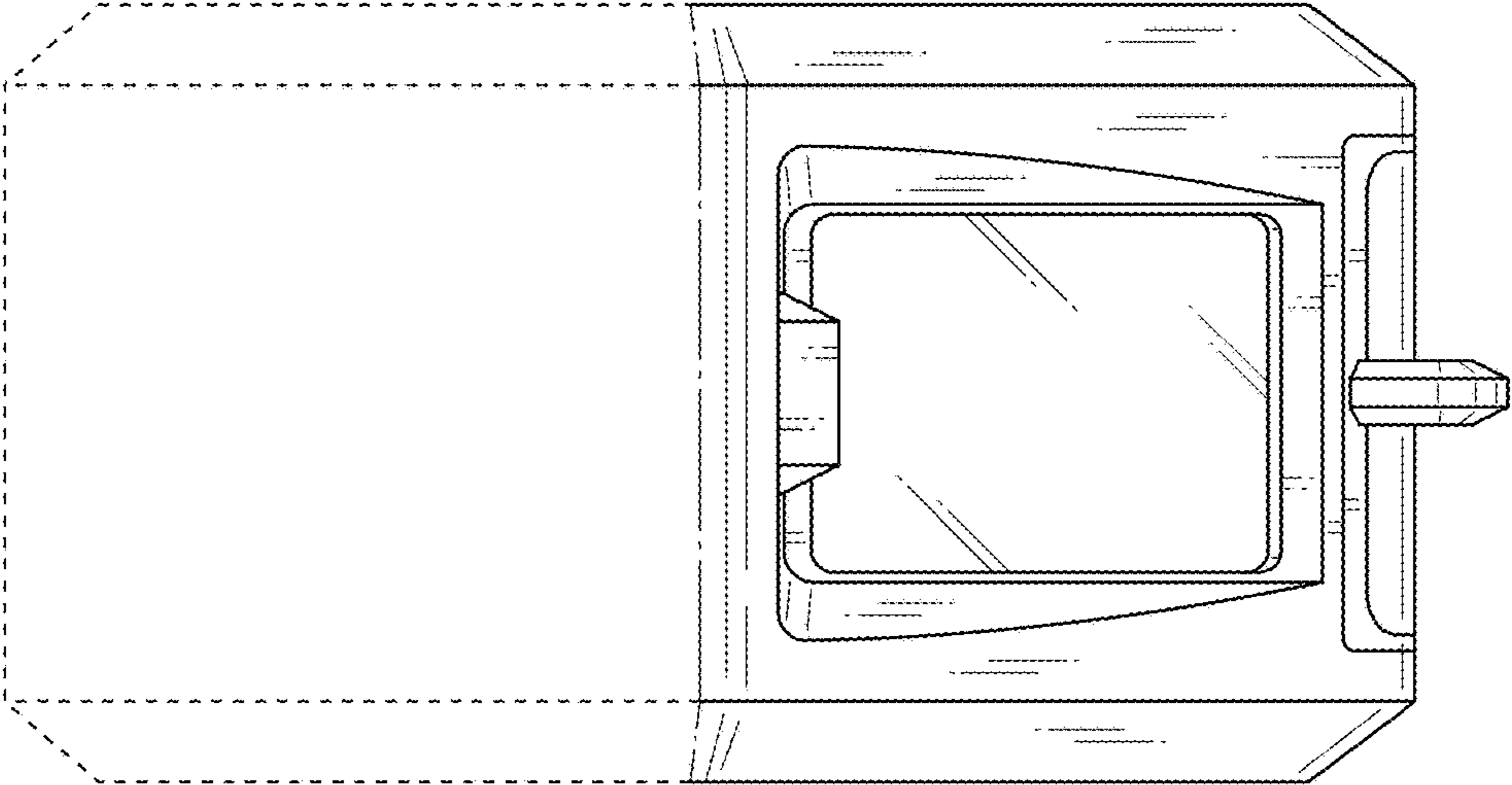


Fig. 6

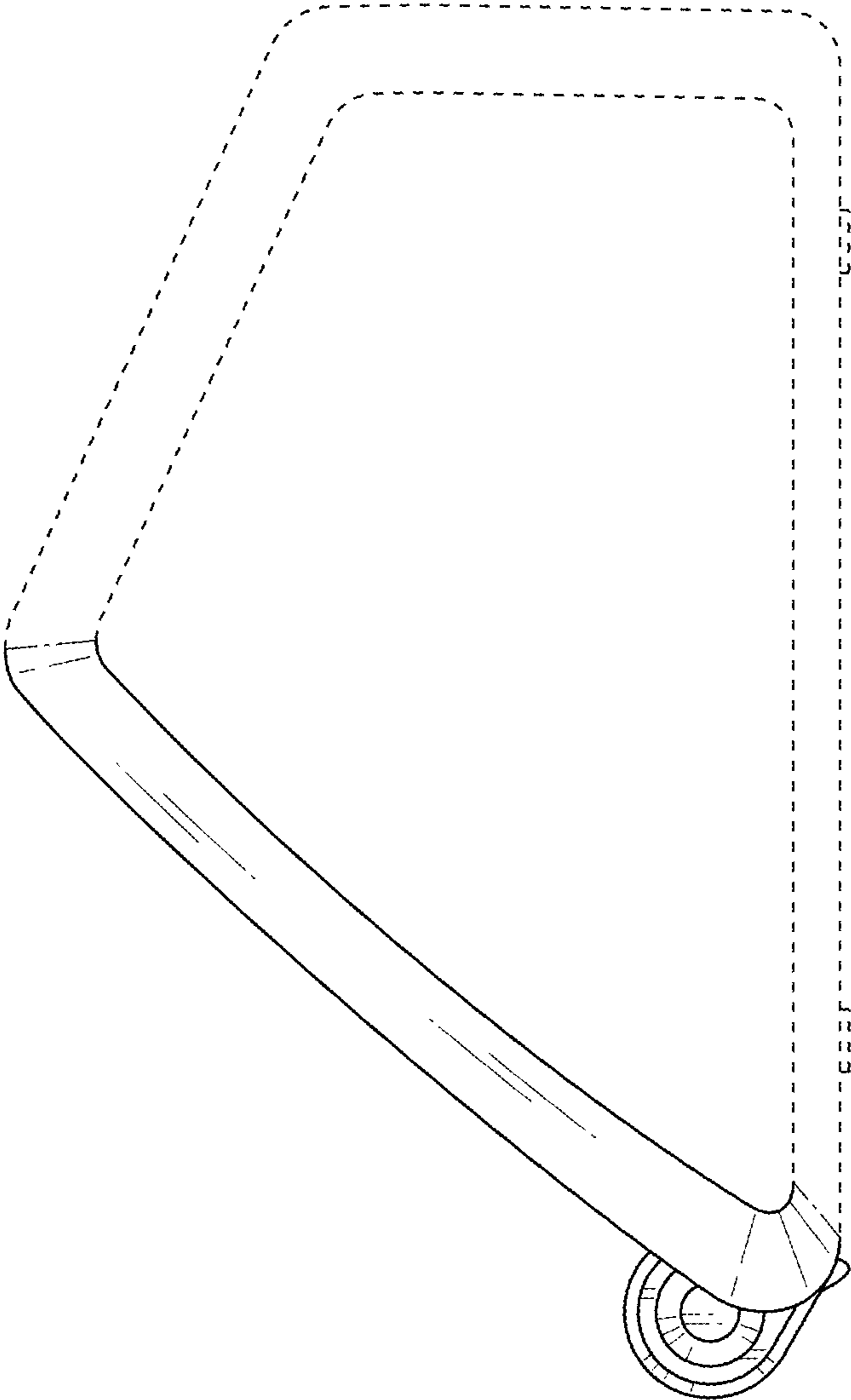


Fig. 7

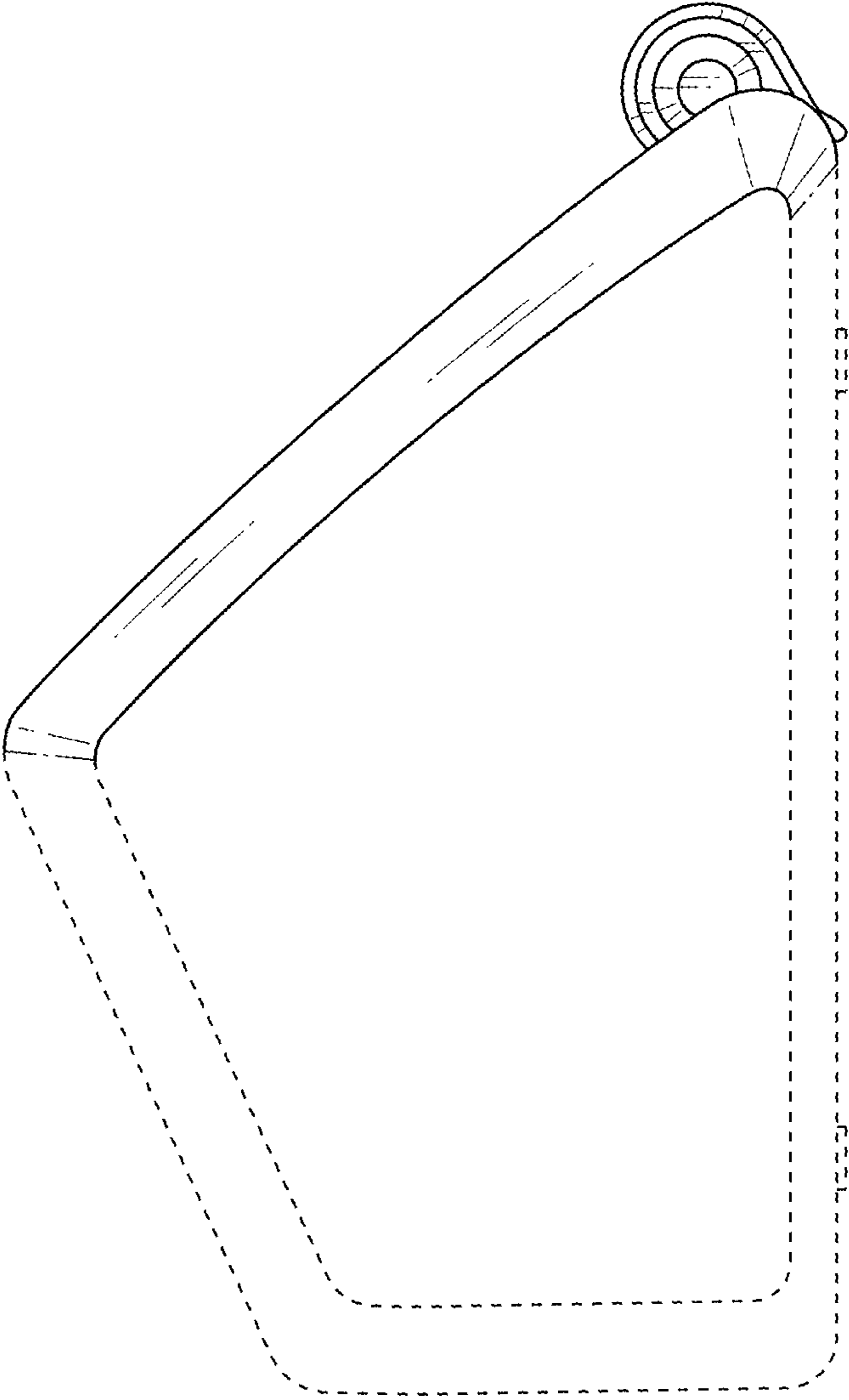
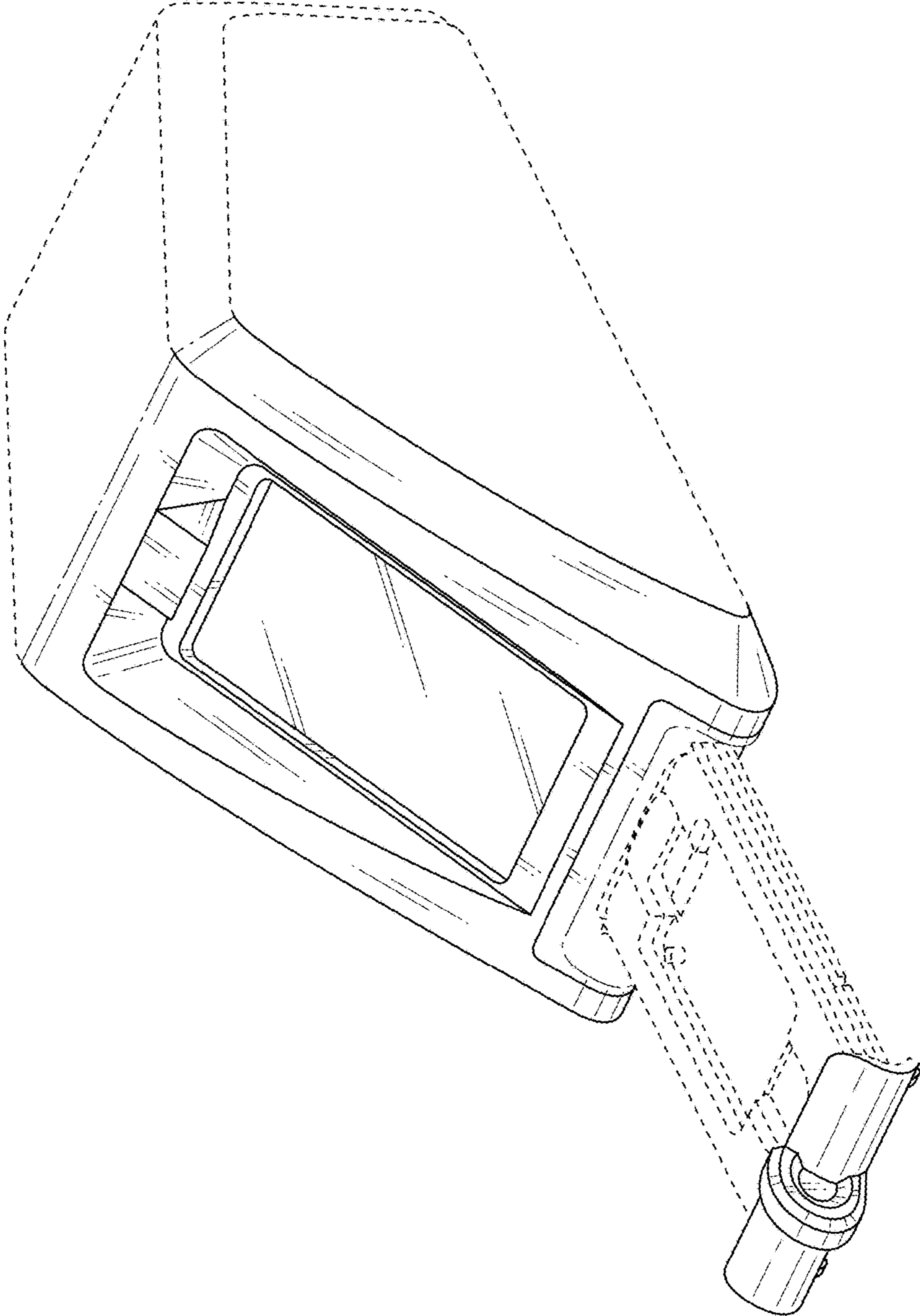


Fig. 8



UNITED STATES PATENT AND TRADEMARK OFFICE
CERTIFICATE OF CORRECTION

PATENT NO. : D796,050 S
APPLICATION NO. : 29/566907
DATED : August 29, 2017
INVENTOR(S) : Nishikawa et al.

Page 1 of 1

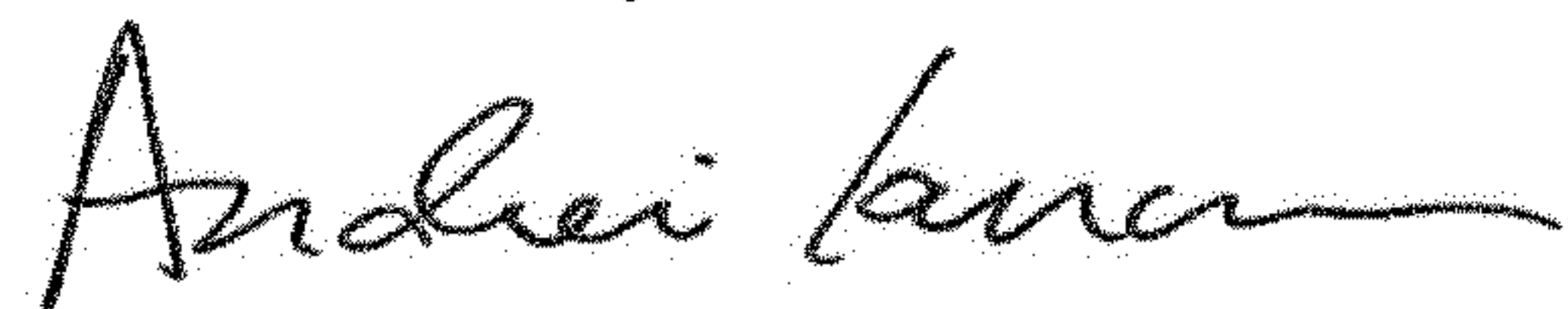
It is certified that error appears in the above-identified patent and that said Letters Patent is hereby corrected as shown below:

On the Title Page

(73) Assignee now shows: **Seksui Medical Co., Ltd.**, Tokyo (JP)

(73) Assignee should show: **Sekisui Medical Co., Ltd.**, Tokyo (JP)

Signed and Sealed this
Twentieth Day of November, 2018



Andrei Iancu
Director of the United States Patent and Trademark Office