



US00D796049S

(12) **United States Design Patent** (10) **Patent No.:** **US D796,049 S**
Nishikawa et al. (45) **Date of Patent:** **** Aug. 29, 2017**

(54) **IMMUNOCHROMATOGRAPHIC TEST DEVICE**

D733,917 S * 7/2015 Klein D24/232
D753,311 S * 4/2016 Long D24/186
D772,086 S * 11/2016 Schueren D10/81

(71) Applicant: **SEKISUI MEDICAL CO., LTD.**, Tokyo (JP)

* cited by examiner

(72) Inventors: **Masato Nishikawa**, Osaka (JP); **Kazuo Kotani**, Tokyo (JP); **Motoki Morita**, Tokyo (JP); **Keigo Kohno**, Tokyo (JP)

Primary Examiner — Wan Laymon
Assistant Examiner — Mark Booker

(73) Assignee: **Seksui Medical Co., Ltd.**, Tokyo (JP)

(74) *Attorney, Agent, or Firm* — Muncy, Geissler, Olds & Lowe, P.C.

(**) Term: **15 Years**

(57) **CLAIM**

(21) Appl. No.: **29/566,898**

The ornamental design for an immunochromatographic test device, as shown and described.

(22) Filed: **Jun. 3, 2016**

(30) **Foreign Application Priority Data**

DESCRIPTION

May 26, 2016 (JP) 2016-11196

(51) **LOC (10) Cl.** **24-01**

(52) **U.S. Cl.**
USPC **D24/186**

(58) **Field of Classification Search**
USPC D24/186, 107-108, 169, 216, 223-225, D24/229-232; D10/81; 422/63-64, 68.1, 422/85.05, 82.05, 554, 561, 565, 420; 435/287.2

CPC G01N 33/558; G01N 33/56944; Y10S 436/806; Y10S 977/918; Y10S 436/809; B01D 15/3804; B01D 15/10; B01D 15/3809; B01D 15/3857; B01L 2300/0867; G06K 9/00127

See application file for complete search history.

(56) **References Cited**

U.S. PATENT DOCUMENTS

D678,530 S * 3/2013 Khan D24/186
D686,311 S * 7/2013 Mori D24/108

1 Claim, 5 Drawing Sheets

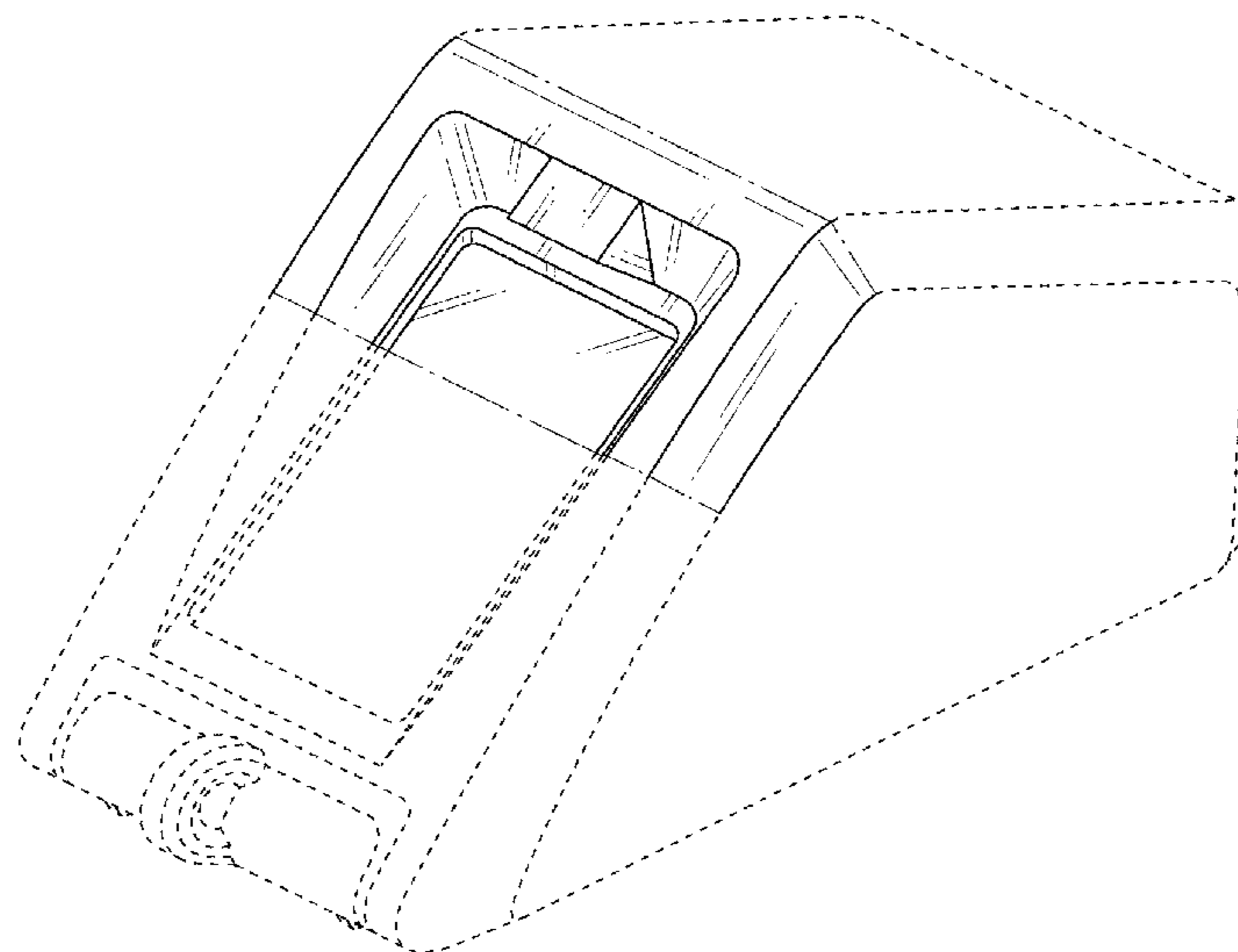


Fig. 1

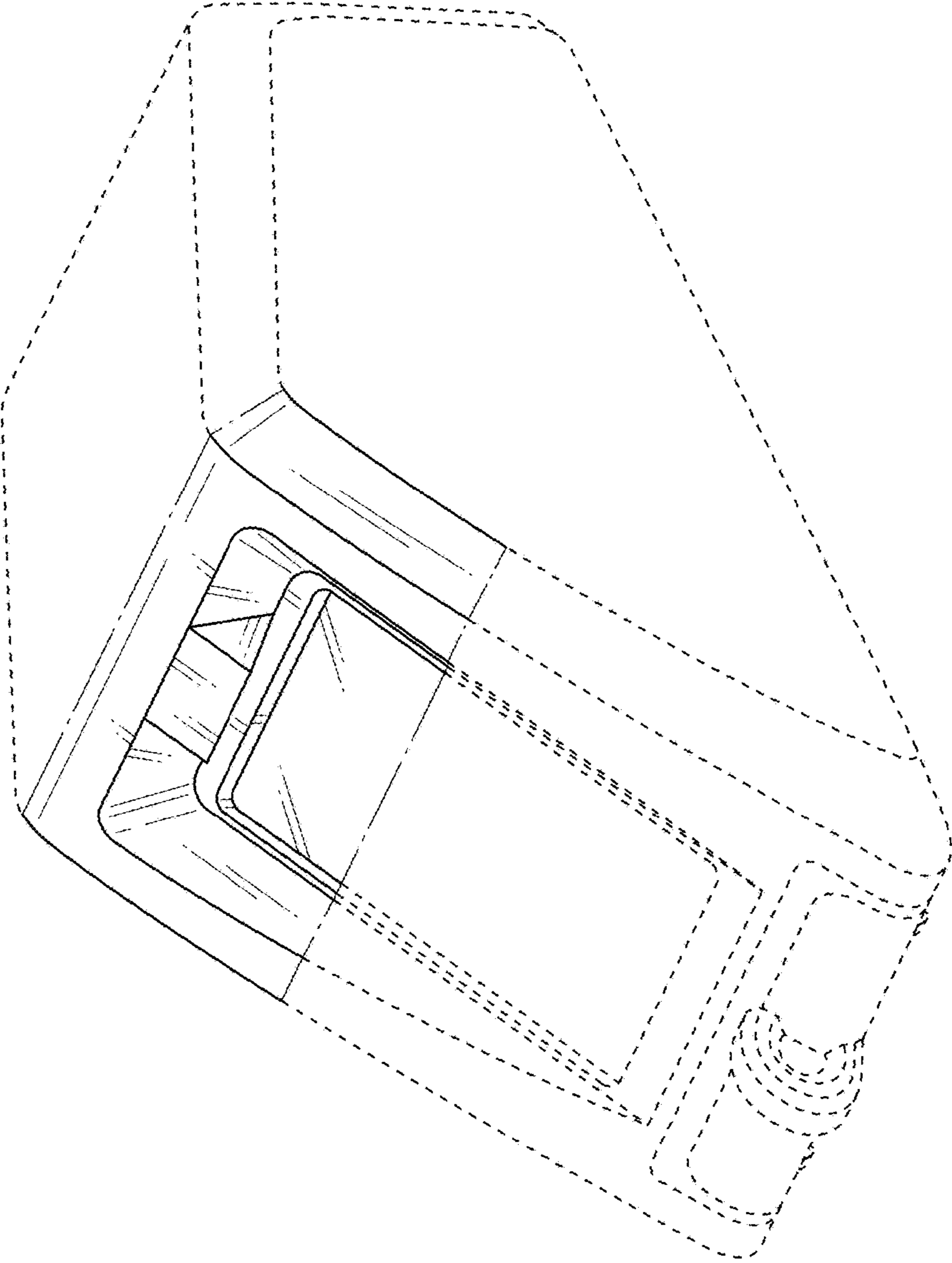


Fig. 3

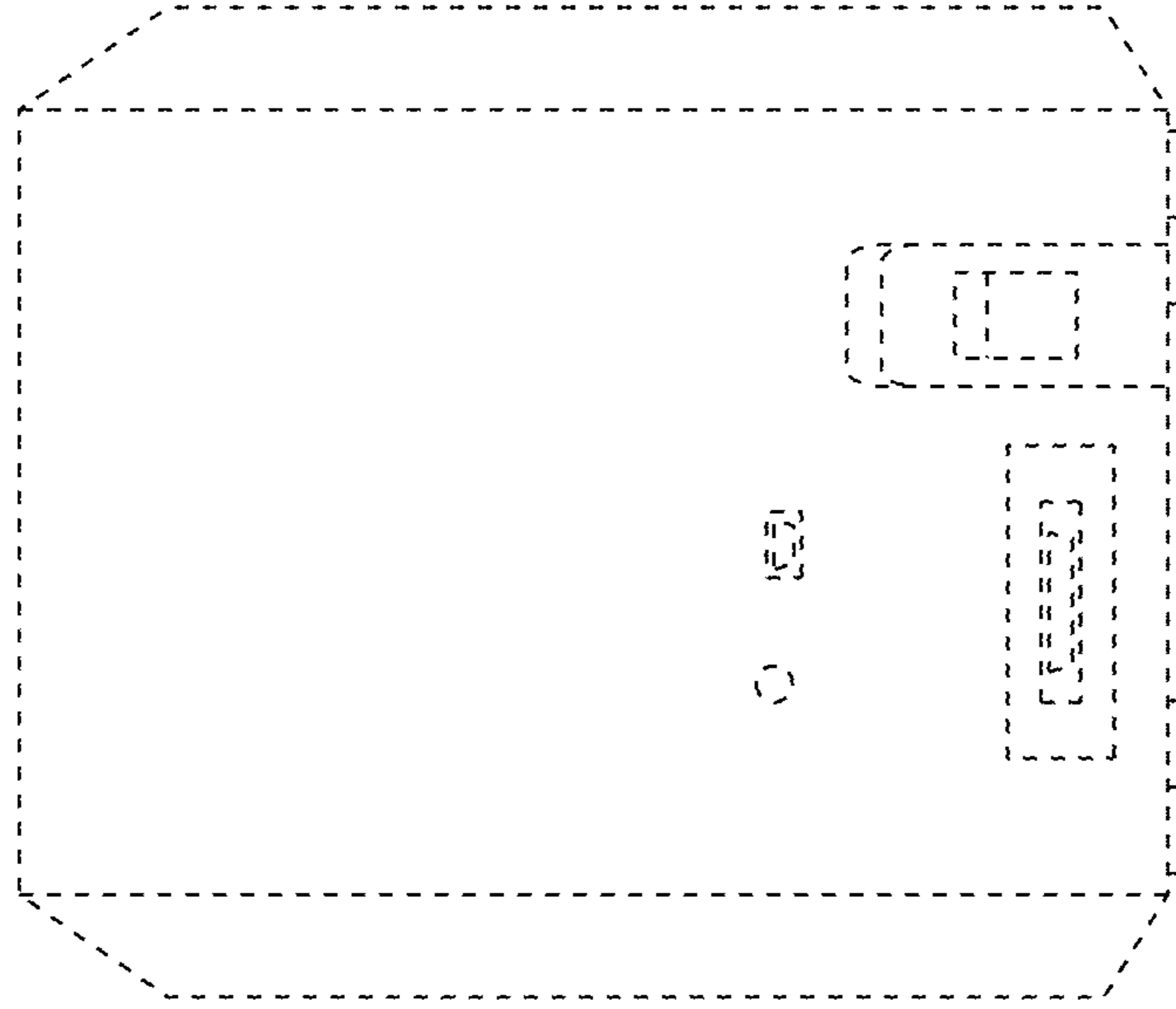


Fig. 2

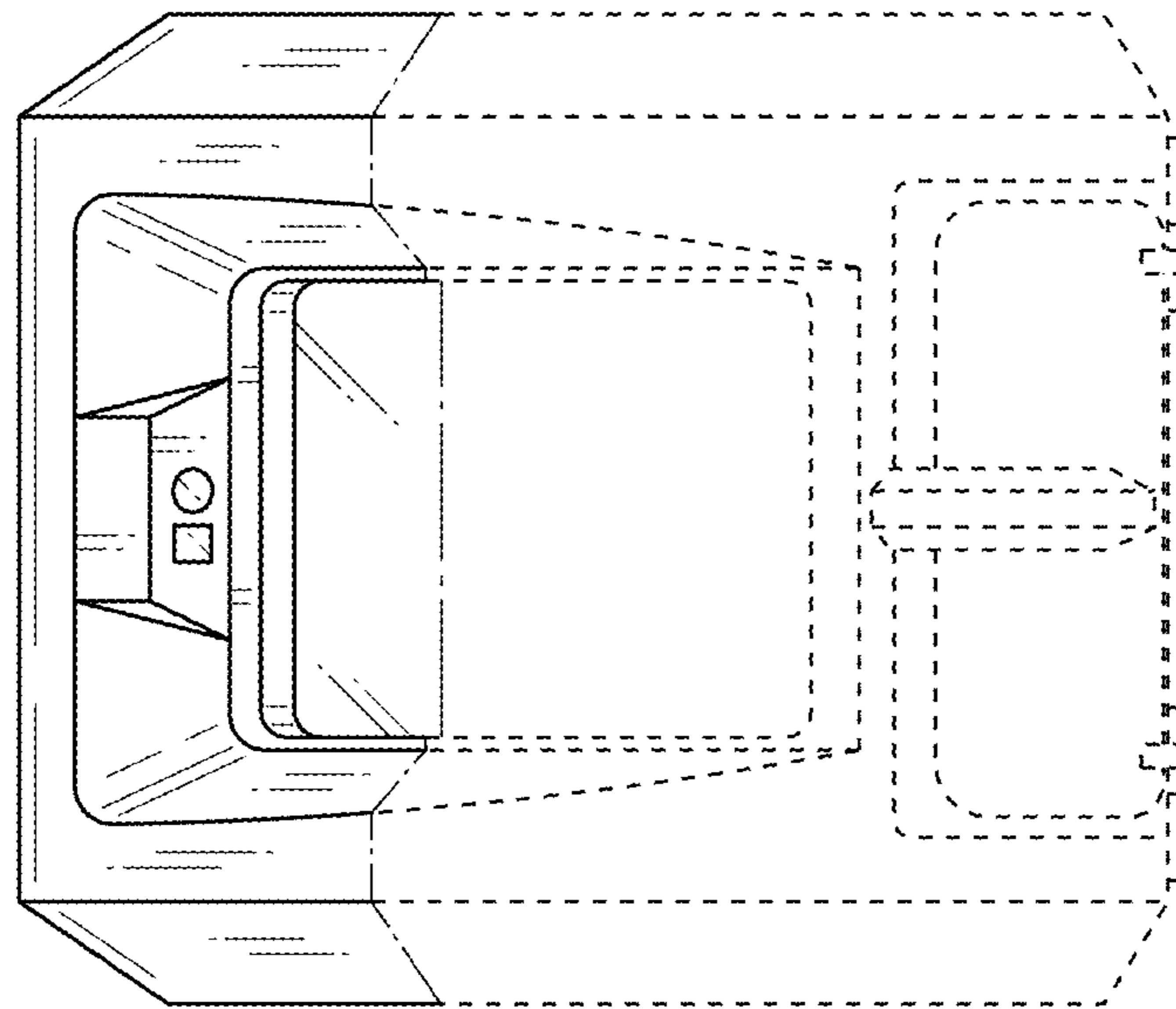


Fig. 5

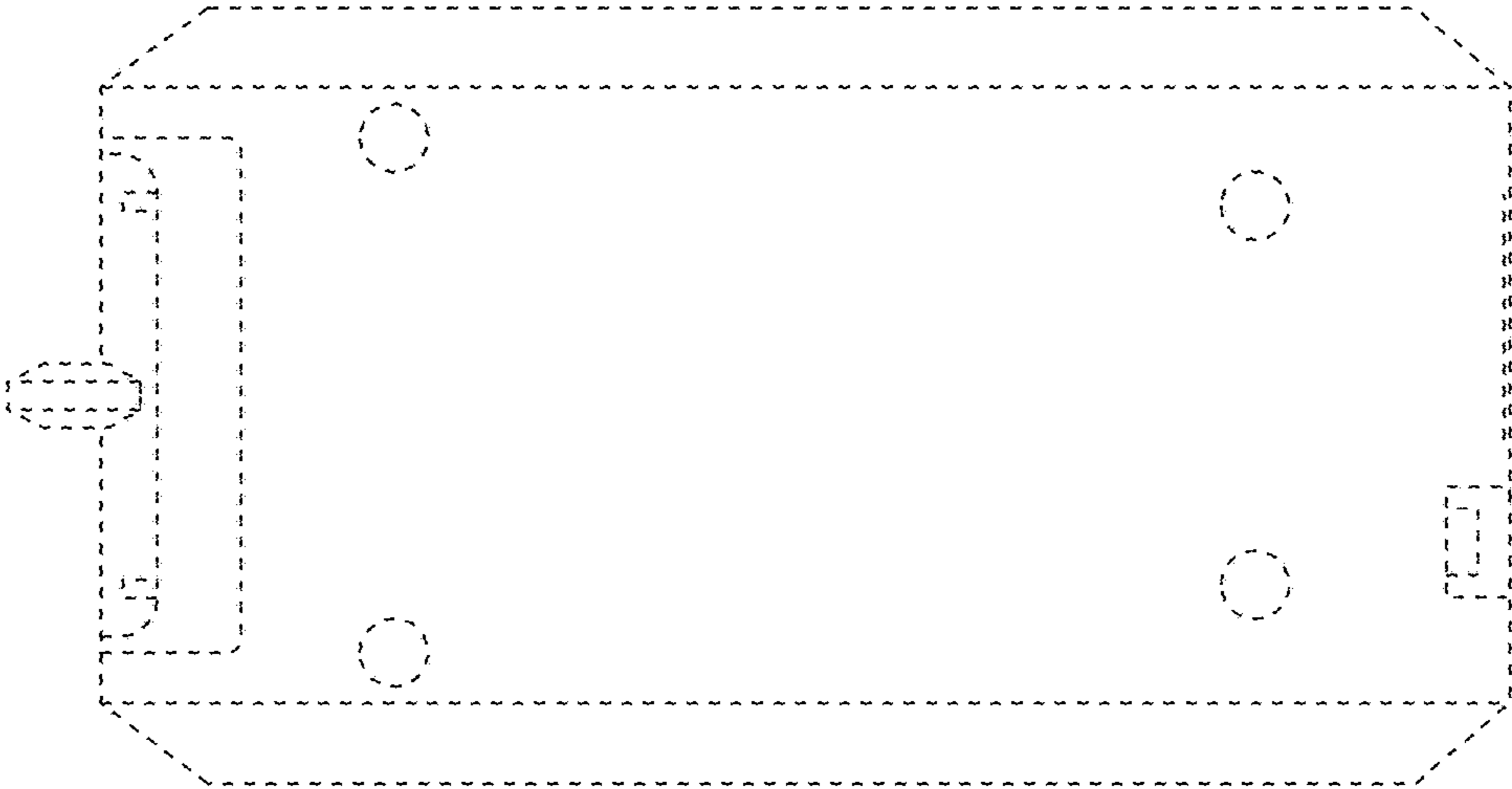


Fig. 4

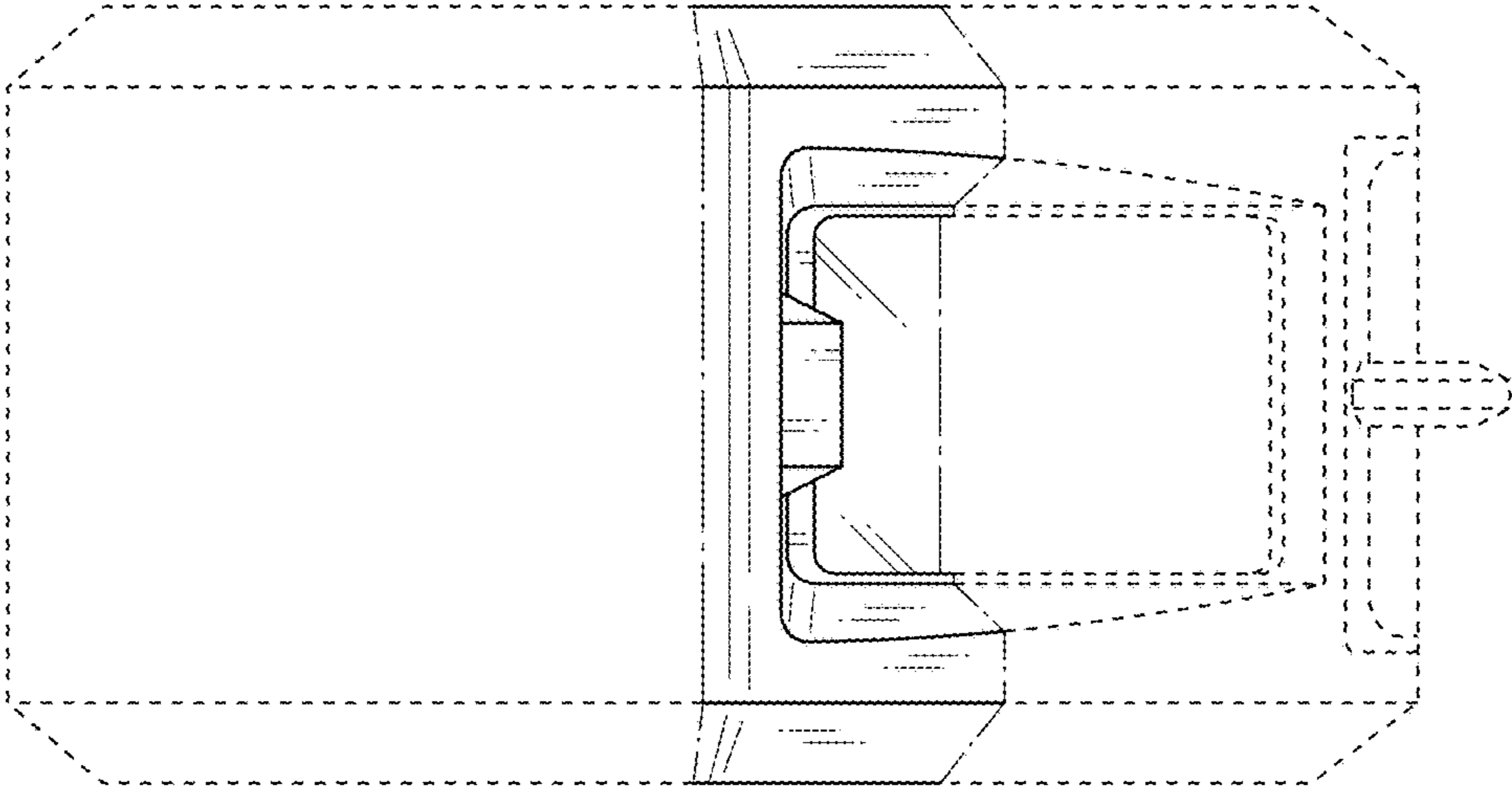


Fig. 6

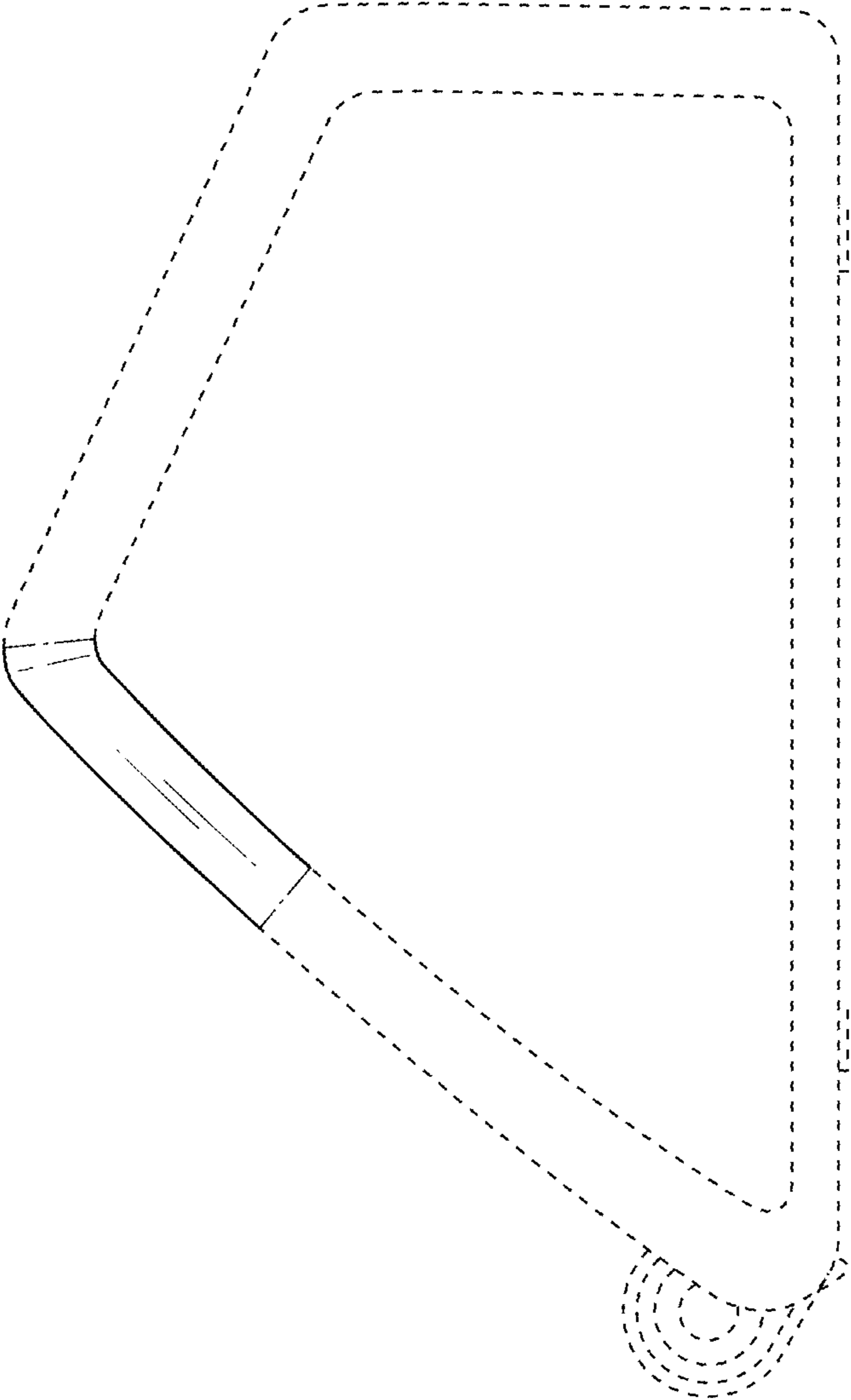
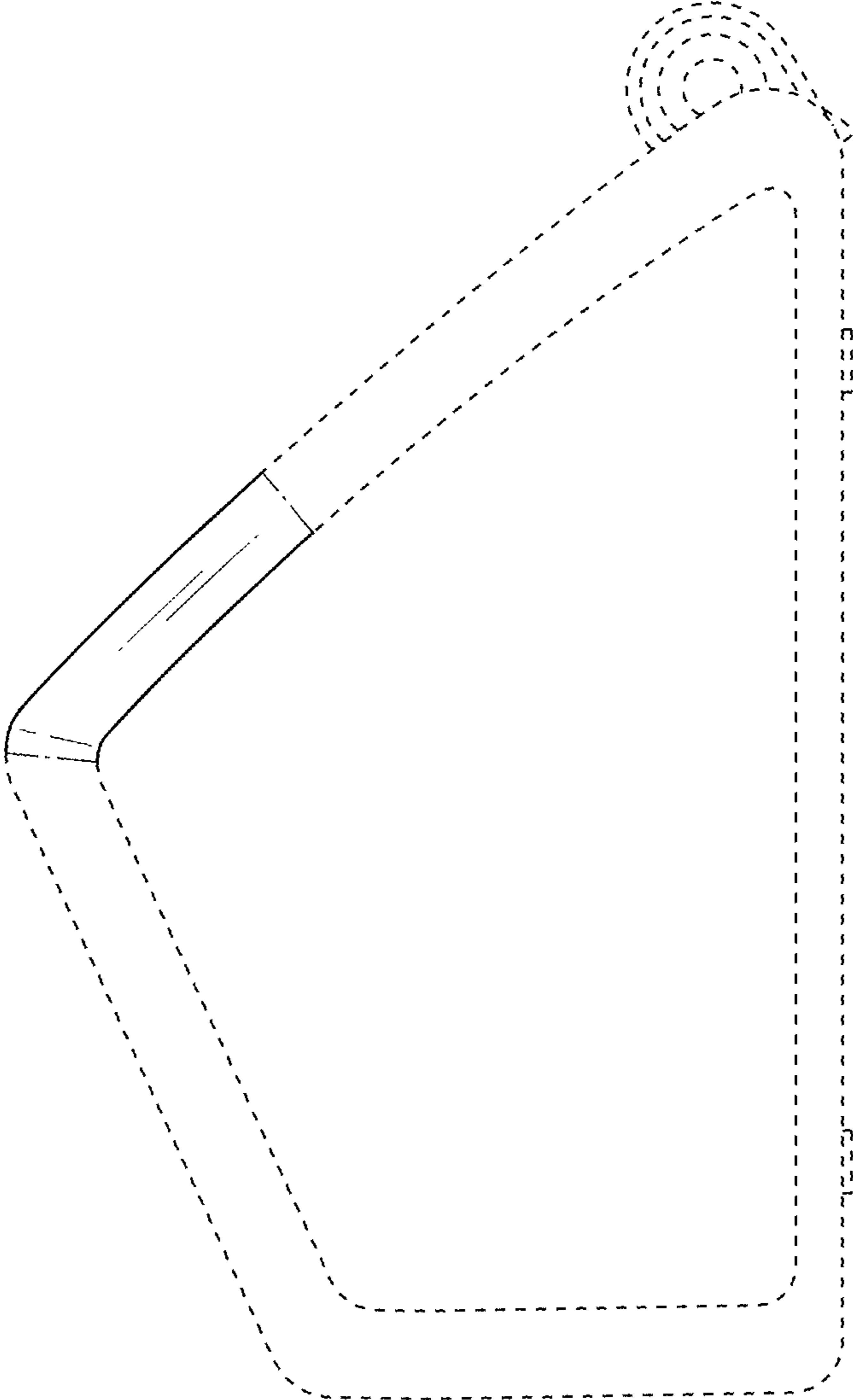


Fig. 7



UNITED STATES PATENT AND TRADEMARK OFFICE
CERTIFICATE OF CORRECTION

PATENT NO. : D796,049 S
APPLICATION NO. : 29/566898
DATED : August 29, 2017
INVENTOR(S) : Nishikawa et al.

Page 1 of 1

It is certified that error appears in the above-identified patent and that said Letters Patent is hereby corrected as shown below:

On the Title Page

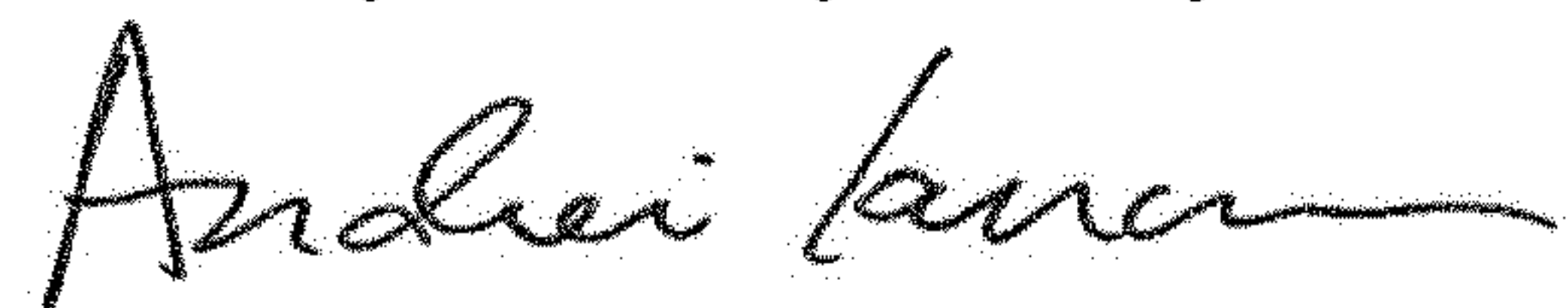
Item [73] delete:

“**Seksui Medical Co., Ltd.**, Tokyo (JP)”

Insert:

--**Sekisui Medical Co., Ltd.**, Tokyo (JP)--

Signed and Sealed this
Twenty-first Day of May, 2019



Andrei Iancu
Director of the United States Patent and Trademark Office