



US00D796048S

(12) **United States Design Patent** (10) **Patent No.:** **US D796,048 S**
O'Driscoll et al. (45) **Date of Patent:** **** Aug. 29, 2017**

- (54) **CONTACT LENS ANTENNA** 8,922,366 B1 12/2014 Honore et al.
- (71) Applicant: **VERILY LIFE SCIENCES LLC,** D754,861 S * 4/2016 O'Driscoll D16/101
Mountain View, CA (US) 9,442,311 B2 * 9/2016 Yeager G02C 7/048
- (72) Inventors: **Stephen O'Driscoll,** San Francisco, CA 2002/0193674 A1 12/2002 Fleischman et al.
(US); **James Etkorn,** Mountain View, CA (US) 2011/0184271 A1 7/2011 Veciana et al.
2012/0206691 A1* 8/2012 Iwai G02C 7/085
351/159.03
- (73) Assignee: **VERILY LIFE SCIENCES LLC,** 2013/0135578 A1 5/2013 Pugh et al.
Mountain View, CA (US) 2014/0371560 A1 12/2014 Etkorn et al.
2015/0002270 A1 1/2015 Otis et al.
2015/0073253 A1 3/2015 Bouwstra et al.
2015/0173602 A1* 6/2015 Barrows A61B 3/101
600/345

- (**) Term: **15 Years**
- (21) Appl. No.: **29/557,919**
- (22) Filed: **Mar. 14, 2016**

Related U.S. Application Data

- (62) Division of application No. 29/504,549, filed on Oct. 7, 2014, now Pat. No. Des. 754,861.
- (51) **LOC (10) Cl.** **24-02**
- (52) **U.S. Cl.**
USPC **D24/186**
- (58) **Field of Classification Search**
USPC D24/186, 165-168, 187, 107, 200;
D14/230; 600/347, 365, 383;
351/159.02, 159.03; D16/101, 306, 331
CPC . A61B 5/14555; A61B 5/147; G01N 27/3271
See application file for complete search history.

(56) **References Cited**

U.S. PATENT DOCUMENTS

- D416,923 S 11/1999 Jahnke
- D574,369 S 8/2008 Oliver
- D614,174 S 4/2010 Gladstone
- D659,684 S 5/2012 Karakama et al.
- D671,580 S 11/2012 Fahy
- 8,880,139 B1 11/2014 Etkorn et al.

(Continued)

Primary Examiner — Wan Laymon
Assistant Examiner — Mark Booker
(74) *Attorney, Agent, or Firm* — McDonnell Boehnen
Hulbert & Berghoff LLP

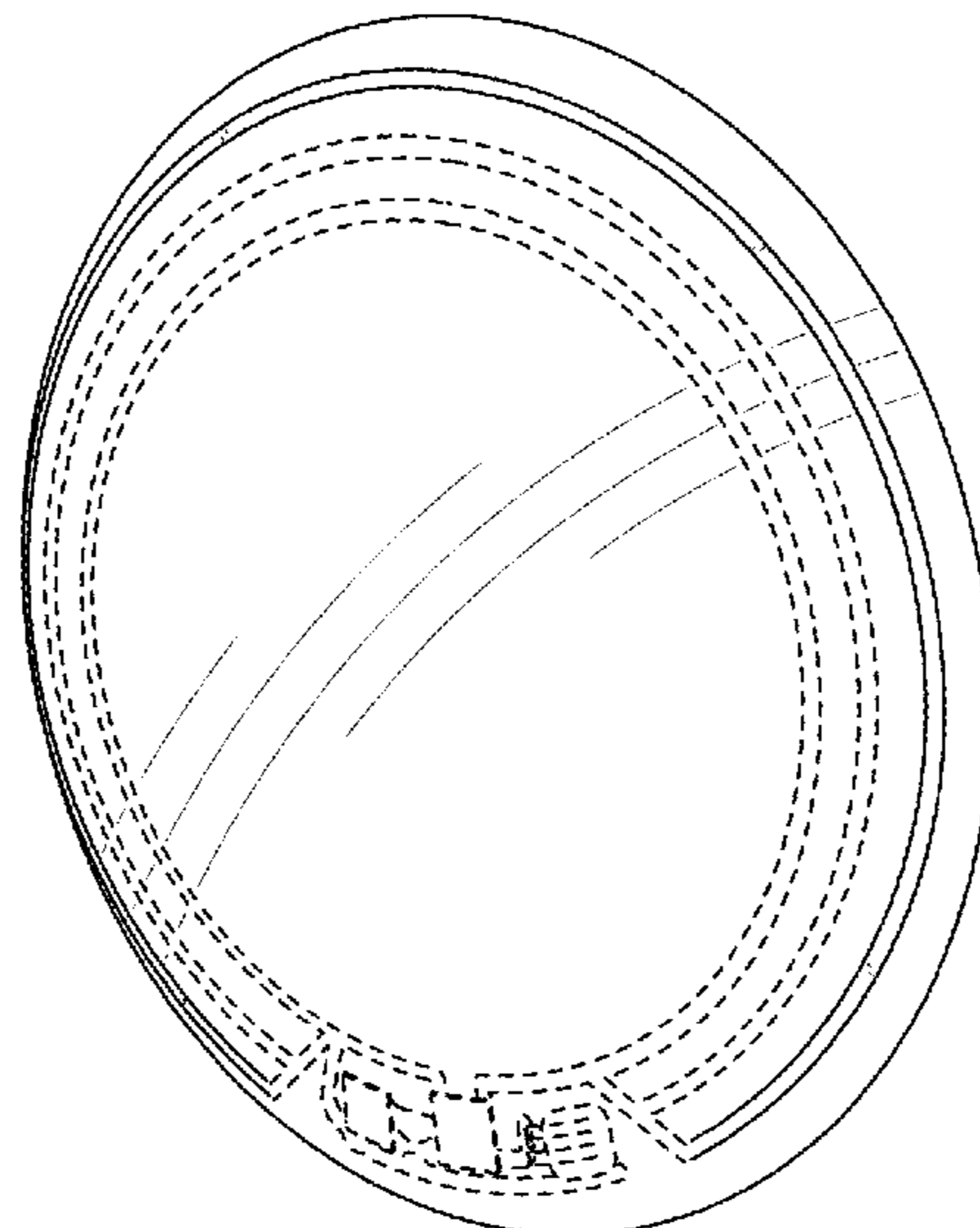
(57) **CLAIM**

The ornamental design for a contact lens antenna, as shown and described.

DESCRIPTION

FIG. 1 is a perspective view of the contact lens antenna of the present design;
FIG. 2 is a top side view thereof;
FIG. 3 is a bottom side view thereof;
FIG. 4 is a left side view thereof;
FIG. 5 is a right side view thereof;
FIG. 6 is a front view thereof;
FIG. 7 is a rear view thereof; and,
FIG. 8 is a perspective view showing the contact lens antenna positioned on an eye.
The dash-dot-dash lines showing an eye in FIG. 8 represent environmental subject matter, and even broken lines are included for the purpose of illustrating portions of the contact lens antenna that form no part of the claimed design.

1 Claim, 8 Drawing Sheets



(56)

References Cited

U.S. PATENT DOCUMENTS

2015/0173680 A1* 6/2015 Etkorn A61B 5/6821
600/345
2015/0362754 A1* 12/2015 Etkorn G02C 7/083
351/159.03
2016/0006115 A1* 1/2016 Etkorn H01Q 1/2225
343/867
2016/0290600 A1* 10/2016 Biederman F21V 9/08
2016/0310050 A1* 10/2016 Pepin A61B 5/14532

* cited by examiner

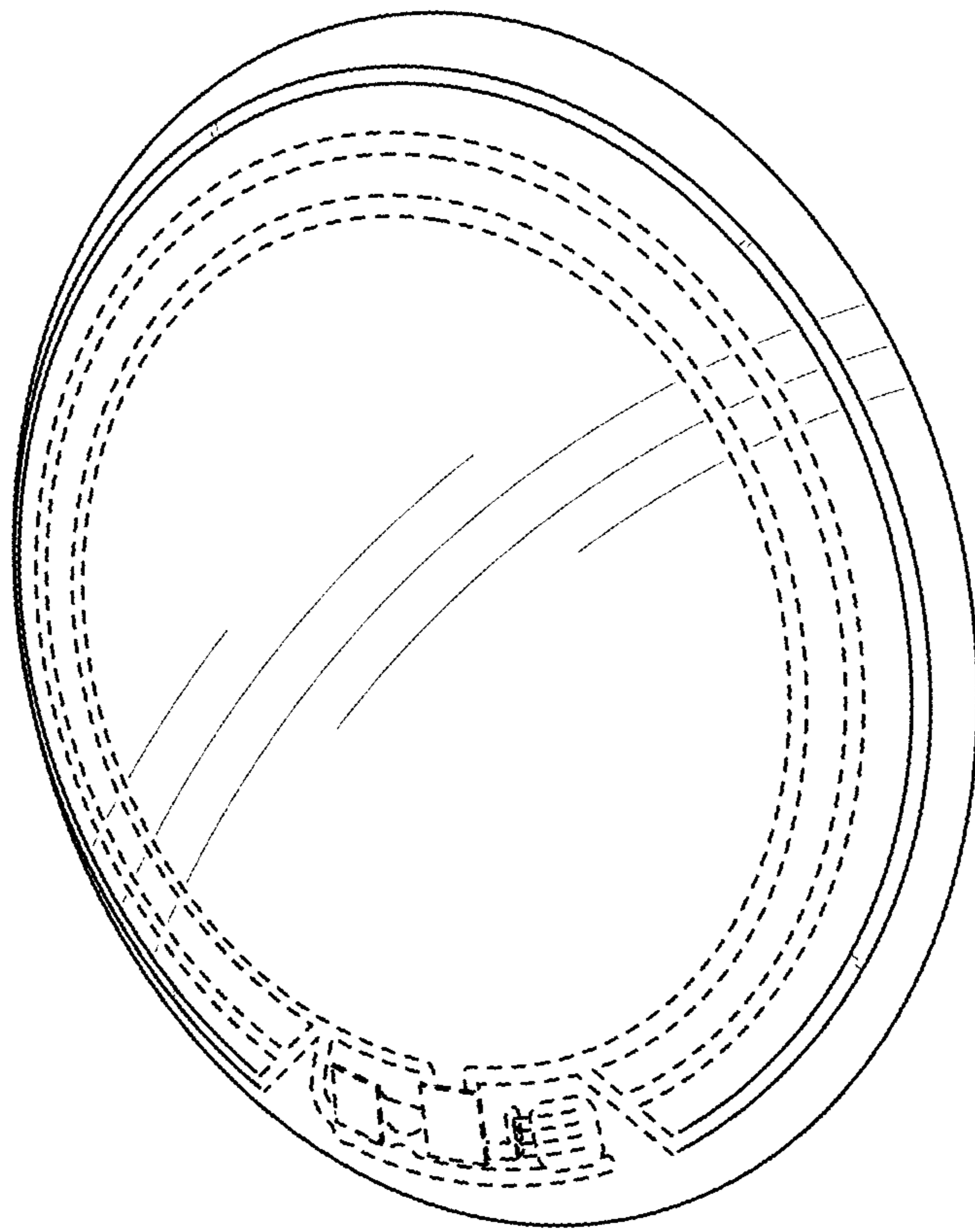


FIG. 1

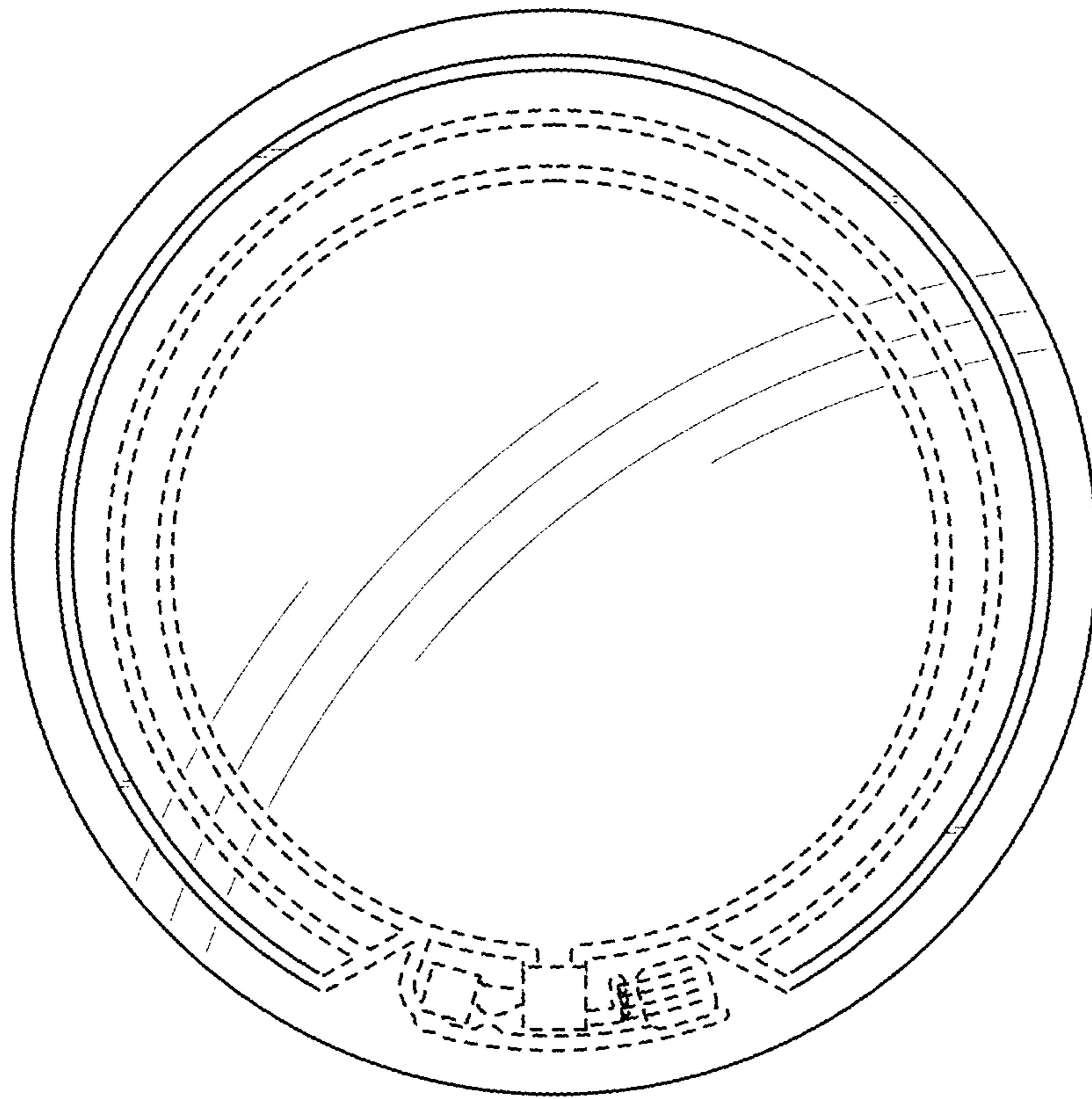


FIG. 2

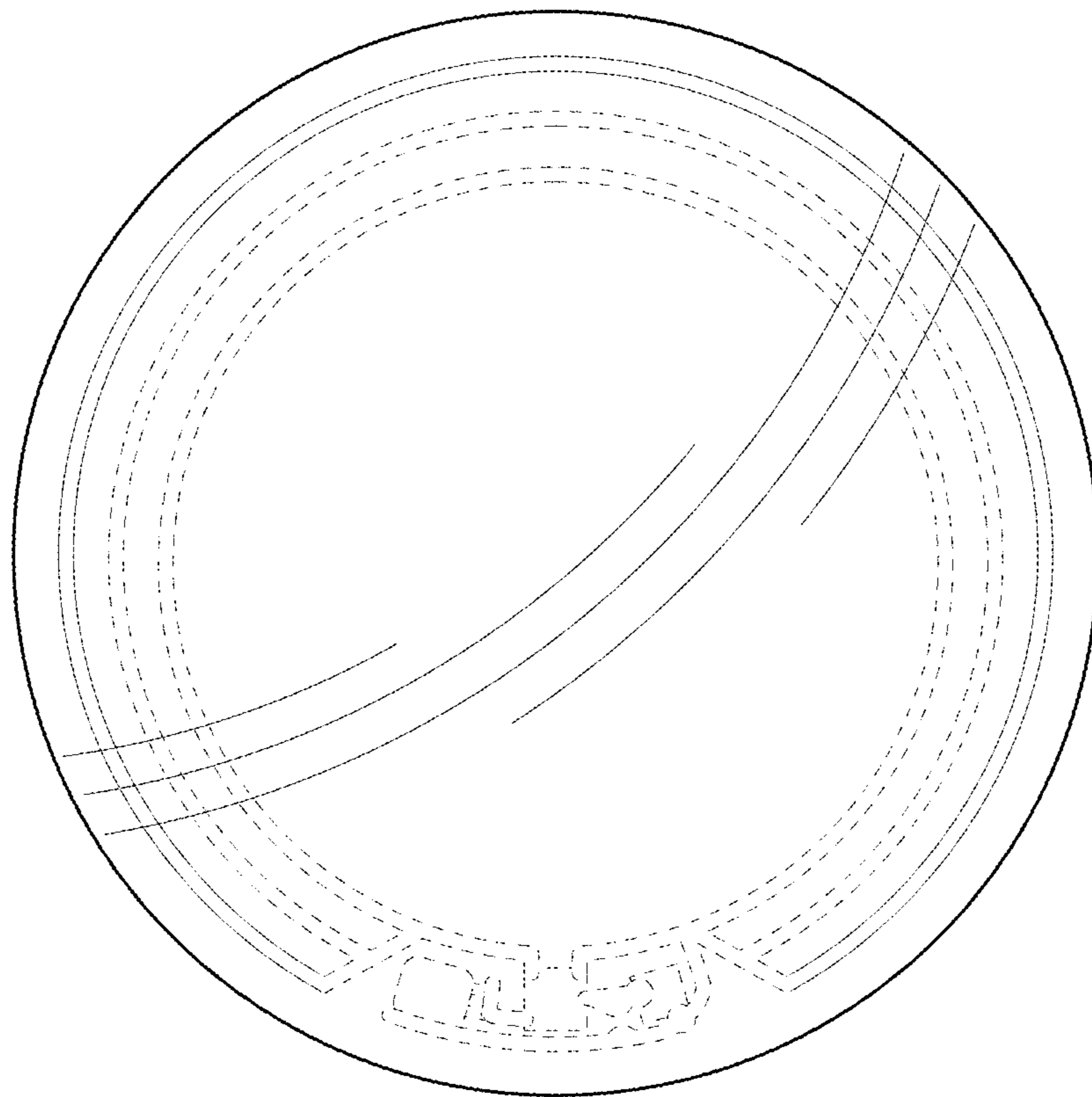


FIG. 3

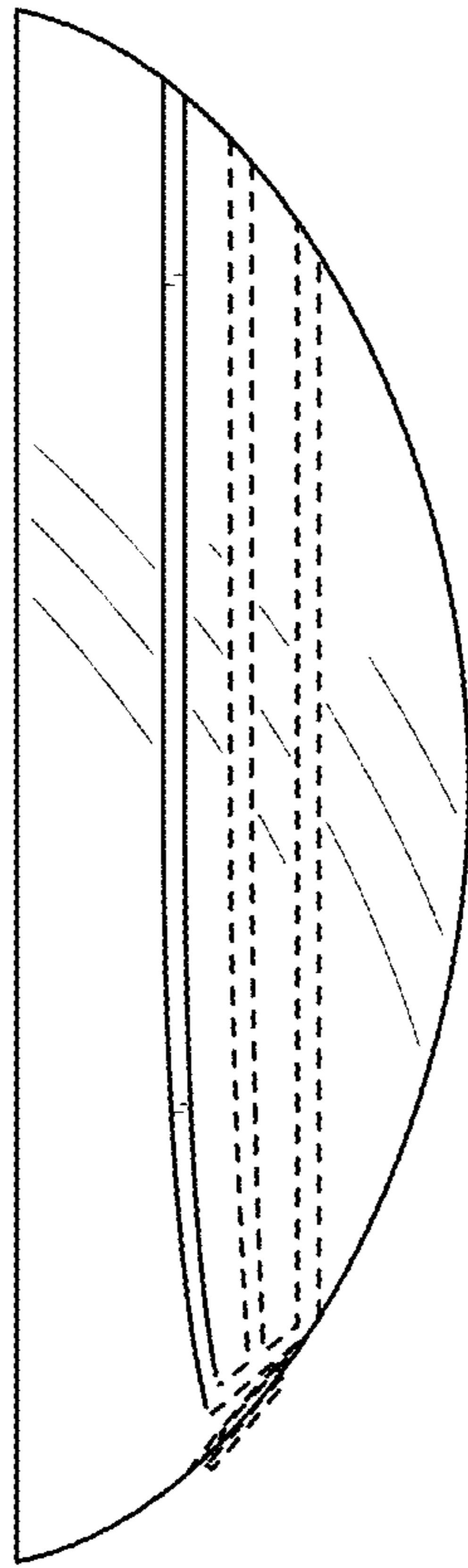


FIG. 4

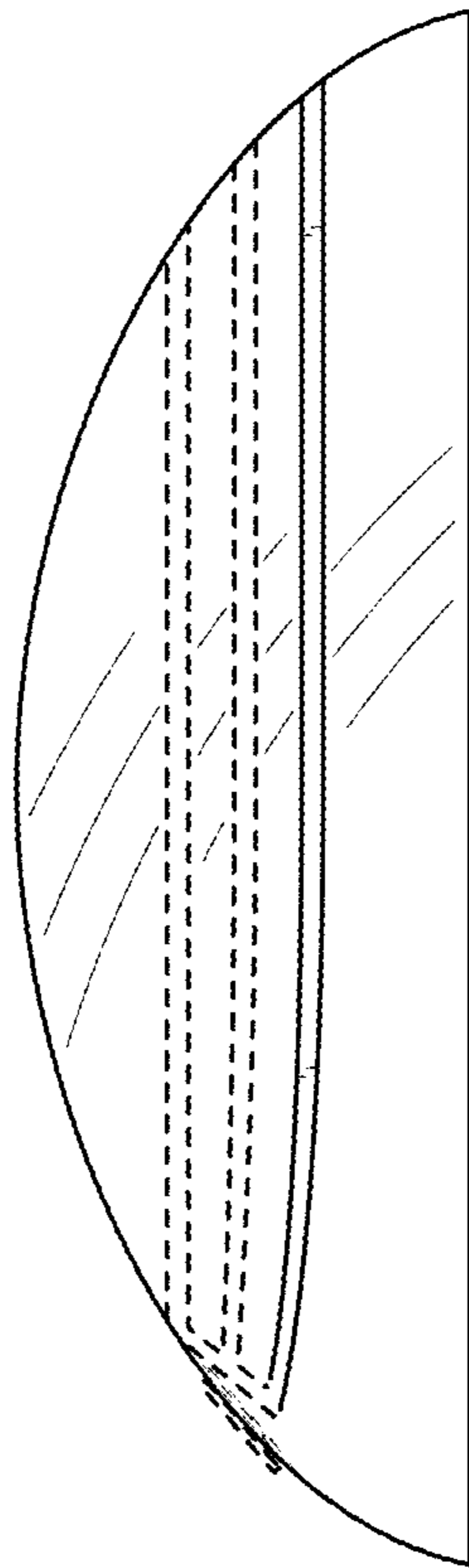


FIG. 5

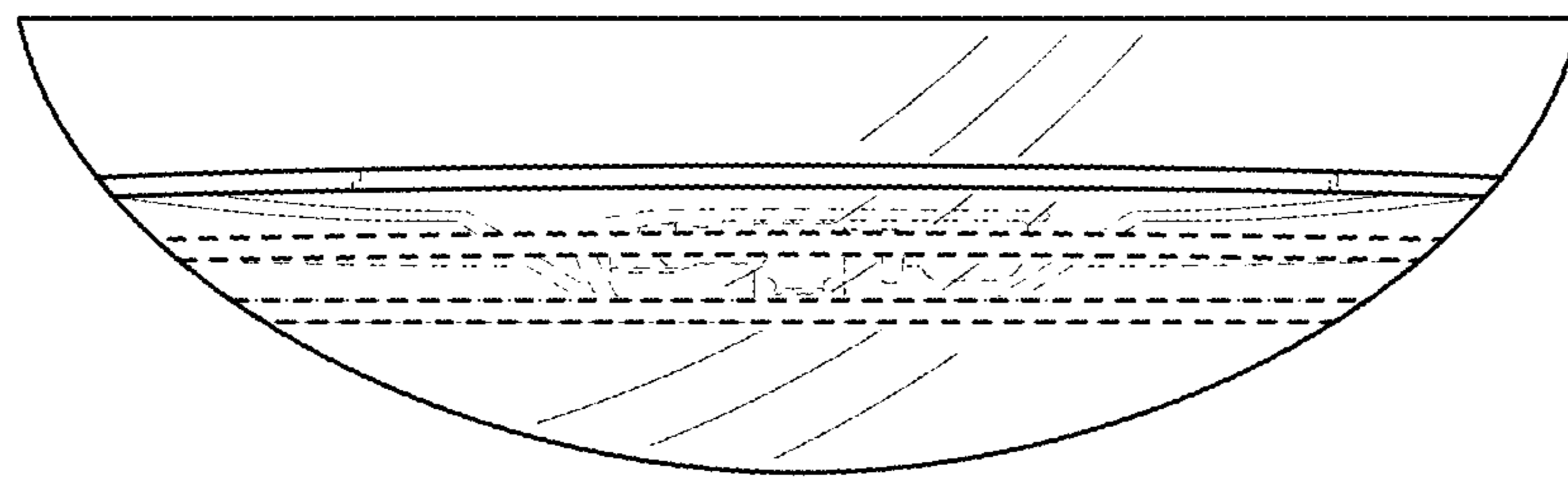


FIG. 6

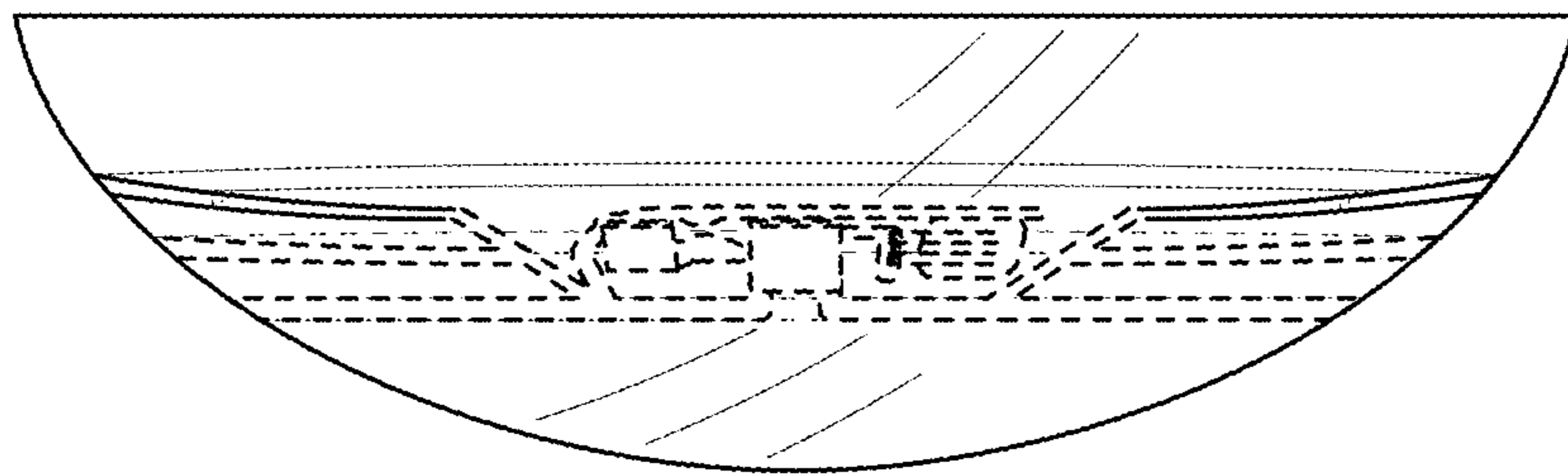


FIG. 7

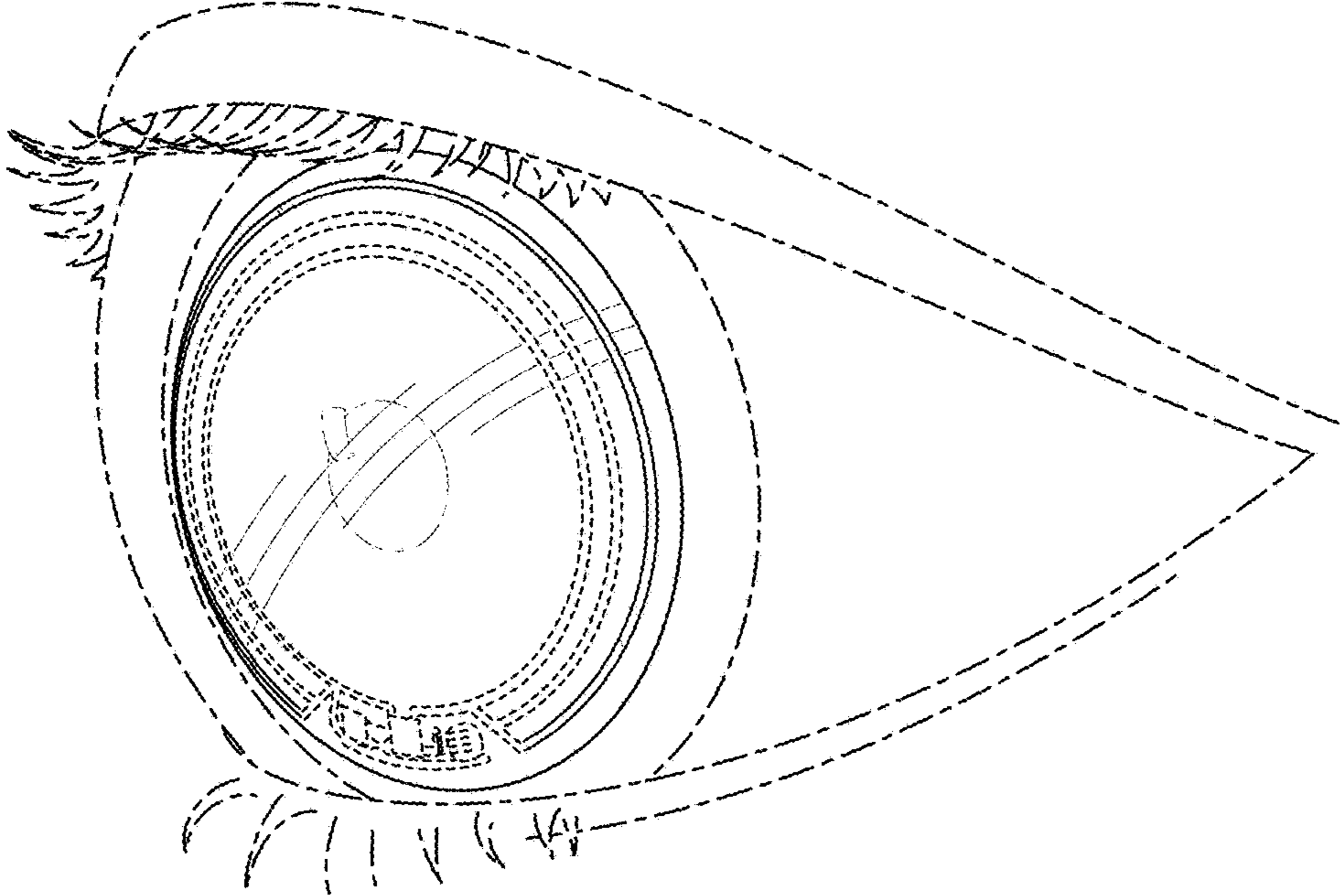


FIG. 8