



US00D796047S

(12) **United States Design Patent**
Janzen

(10) **Patent No.:** **US D796,047 S**

(45) **Date of Patent:** **** Aug. 29, 2017**

(54) **ARTICULATED MEDICAL DISPLAY STAND**

(71) Applicant: **Tryten Technologies Inc.**, Seattle, WA
(US)

(72) Inventor: **Tony H. Janzen**, Langley (CA)

(73) Assignee: **Tryten Technologies Inc.**, Langley
(CA)

(**) Term: **15 Years**

(21) Appl. No.: **29/556,402**

(22) Filed: **Feb. 29, 2016**

(51) **LOC (10) Cl.** **24-00**

(52) **U.S. Cl.**

USPC **D24/186**

(58) **Field of Classification Search**

USPC D24/186, 130, 143, 150, 164, 170, 171,
D24/172, 183, 185, 188, 221, 234;
D6/406.1, 406.2, 682; 351/206, 224, 226;
248/125.8, 142.1, 447.1

CPC .. A61B 90/50; A61B 1/00149; F16M 11/126;
F16M 11/24; F16M 11/42; A61M 5/1415;
Y10T 74/20329

See application file for complete search history.

(56) **References Cited**

U.S. PATENT DOCUMENTS

D435,107 S * 12/2000 Blair D24/186
D618,350 S * 6/2010 Balas D24/158
D652,936 S * 1/2012 Ross D24/185
D700,706 S 3/2014 Molter
D739,947 S * 9/2015 Maier D24/186
D765,447 S 9/2016 Barham
D783,837 S 4/2017 Janzen
2008/0061195 A1* 3/2008 Carnevali F16M 11/14
248/125.8

2008/0142667 A1* 6/2008 German A47B 97/04
248/447.1

2009/0294604 A1* 12/2009 Sunderland A61M 5/1415
248/124.1

2016/0367329 A1* 12/2016 Dekel A61B 50/10

* cited by examiner

Primary Examiner — Wan Laymon

Assistant Examiner — Mark Booker

(74) *Attorney, Agent, or Firm* — Christensen O'Connor
Johnson Kindness PLLC

(57) **CLAIM**

The ornamental design for an articulated medical display stand, as shown and described.

DESCRIPTION

FIG. 1 is an upper perspective view of an articulated medical display stand in accordance with the present design;

FIG. 2 is a lower perspective view of the articulated medical display stand shown in FIG. 1;

FIG. 3 is a front view of the articulated medical display stand shown in FIG. 1;

FIG. 4 is a rear view of the articulated medical display stand shown in FIG. 1;

FIG. 5 is a plan view of the articulated medical display stand shown in FIG. 1;

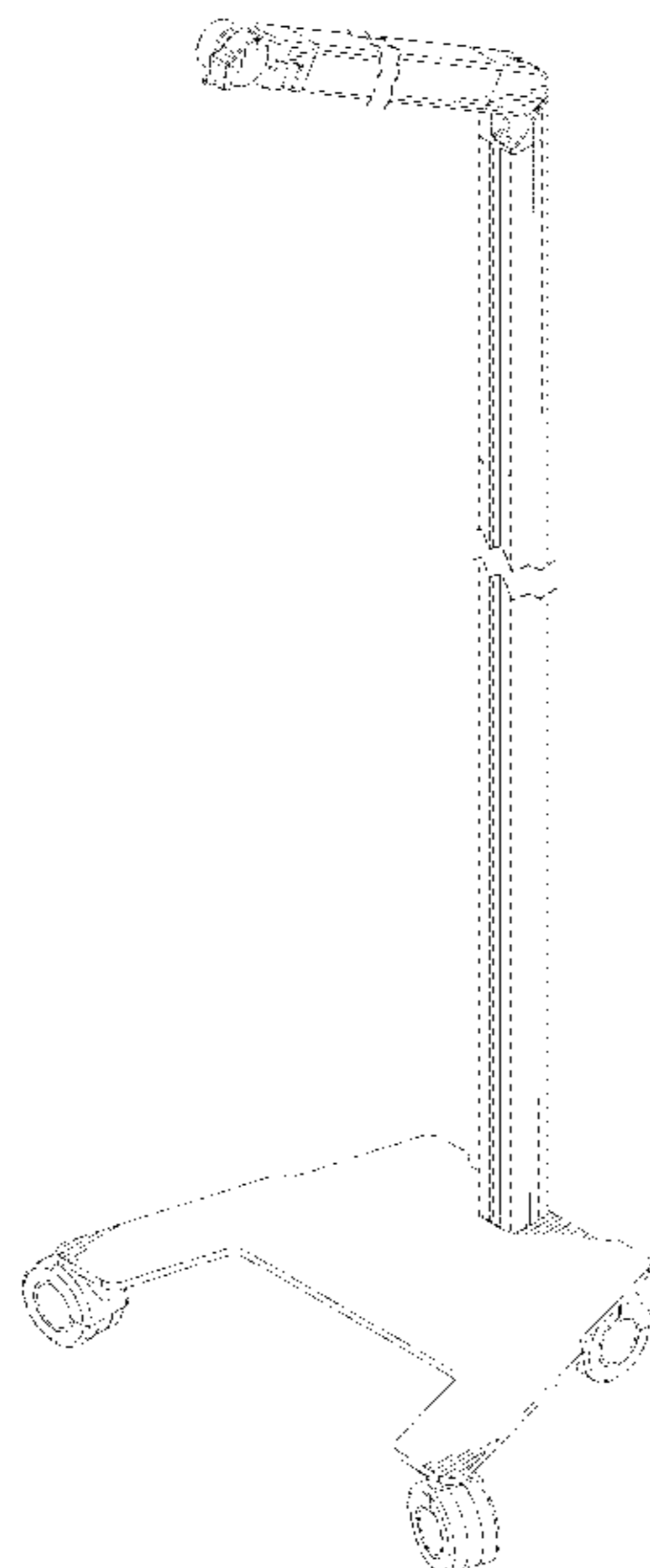
FIG. 6 is a bottom view of the articulated medical display stand shown in FIG. 1;

FIG. 7 is a left side view of the articulated medical display stand shown in FIG. 1; and,

FIG. 8 is a right side view of the articulated medical display stand shown in FIG. 1.

The broken away symbols in the drawings indicate that any portion of the articulated medical display stand beyond what is shown forms no part of the claimed design. The broken line showing of apertures is for the purpose of illustrating portions of the articulated medical display stand and forms no part of the claimed design.

1 Claim, 7 Drawing Sheets



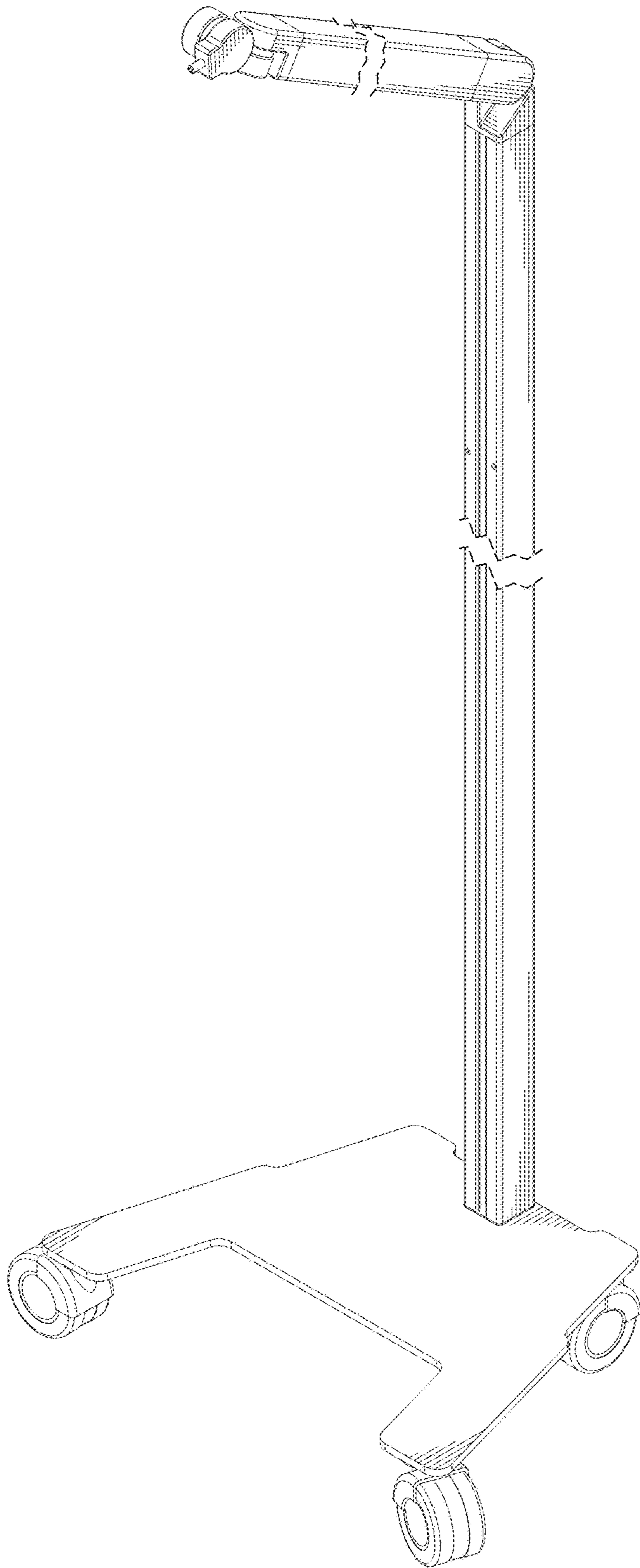


Fig. 1.

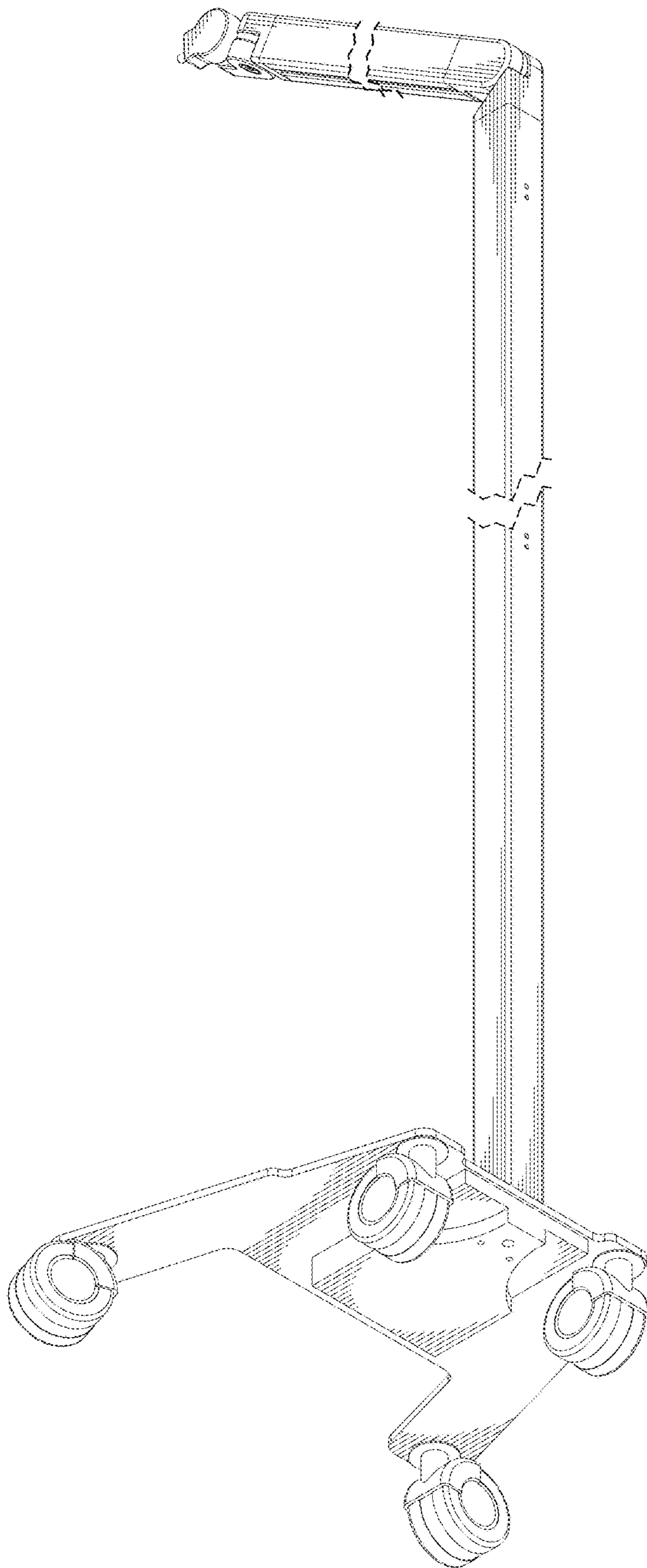


Fig. 2.

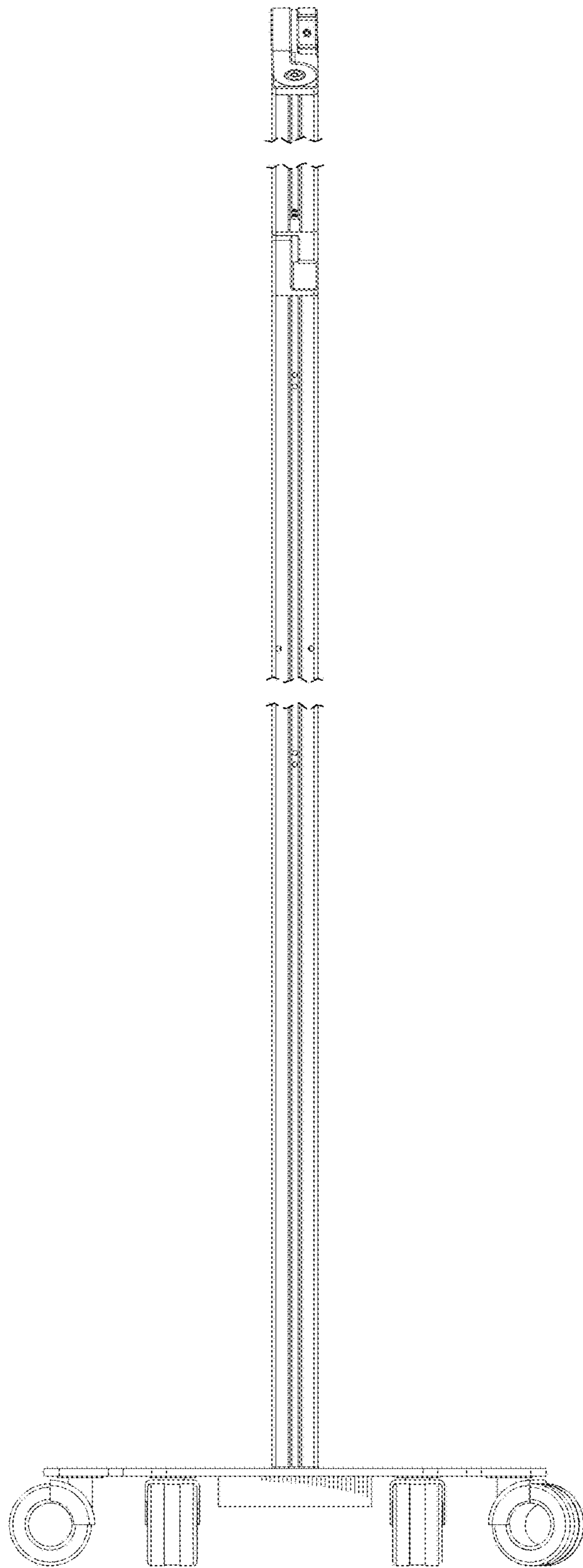


Fig. 3.

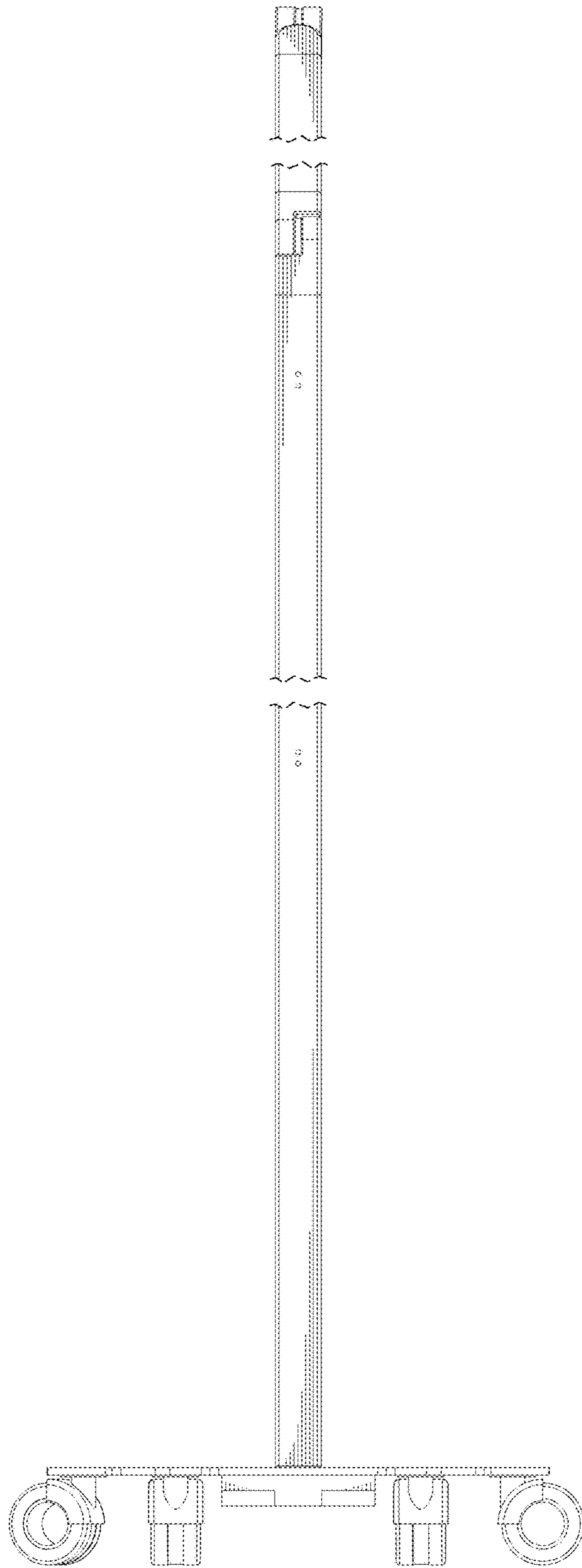


Fig. 4.

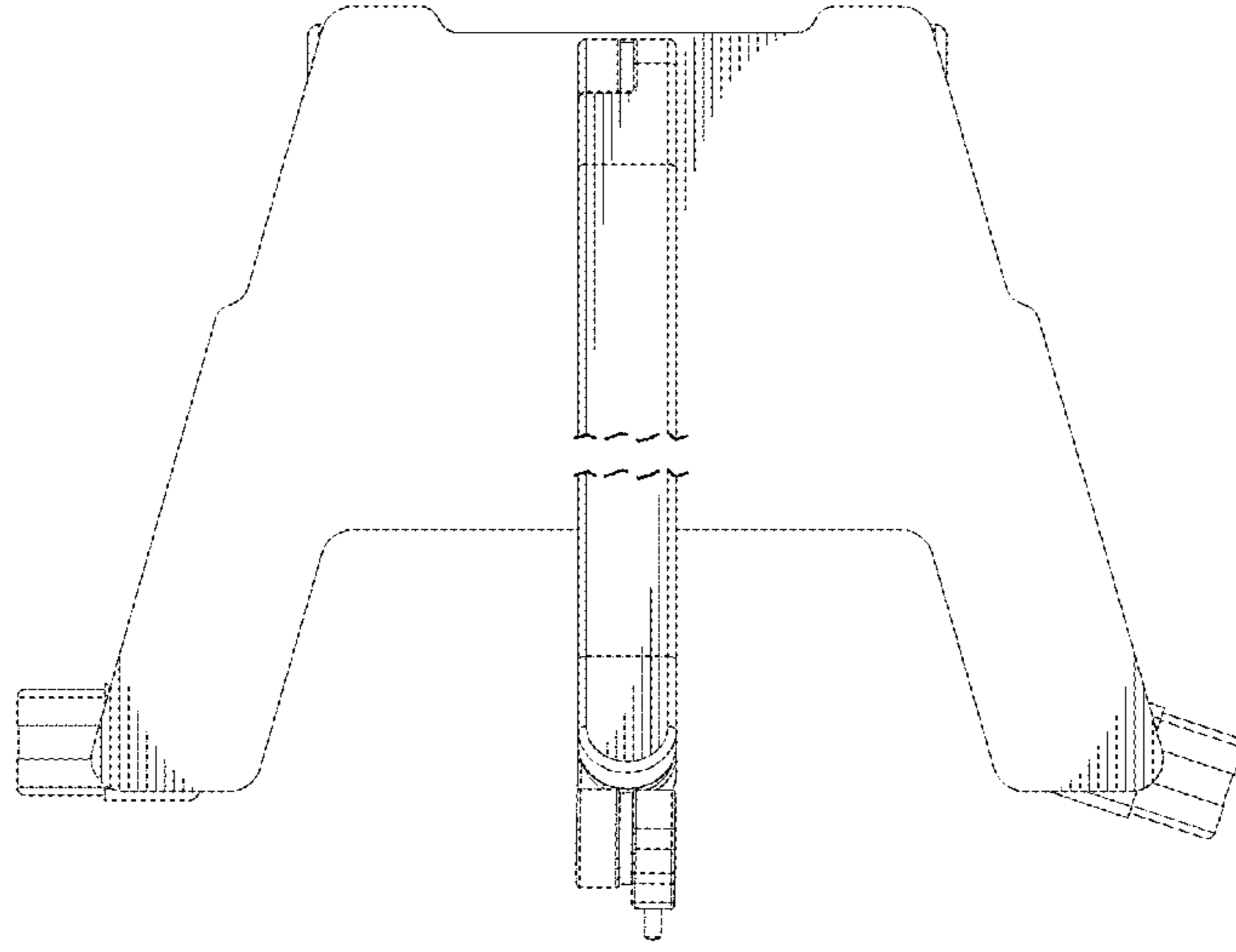


Fig. 5.

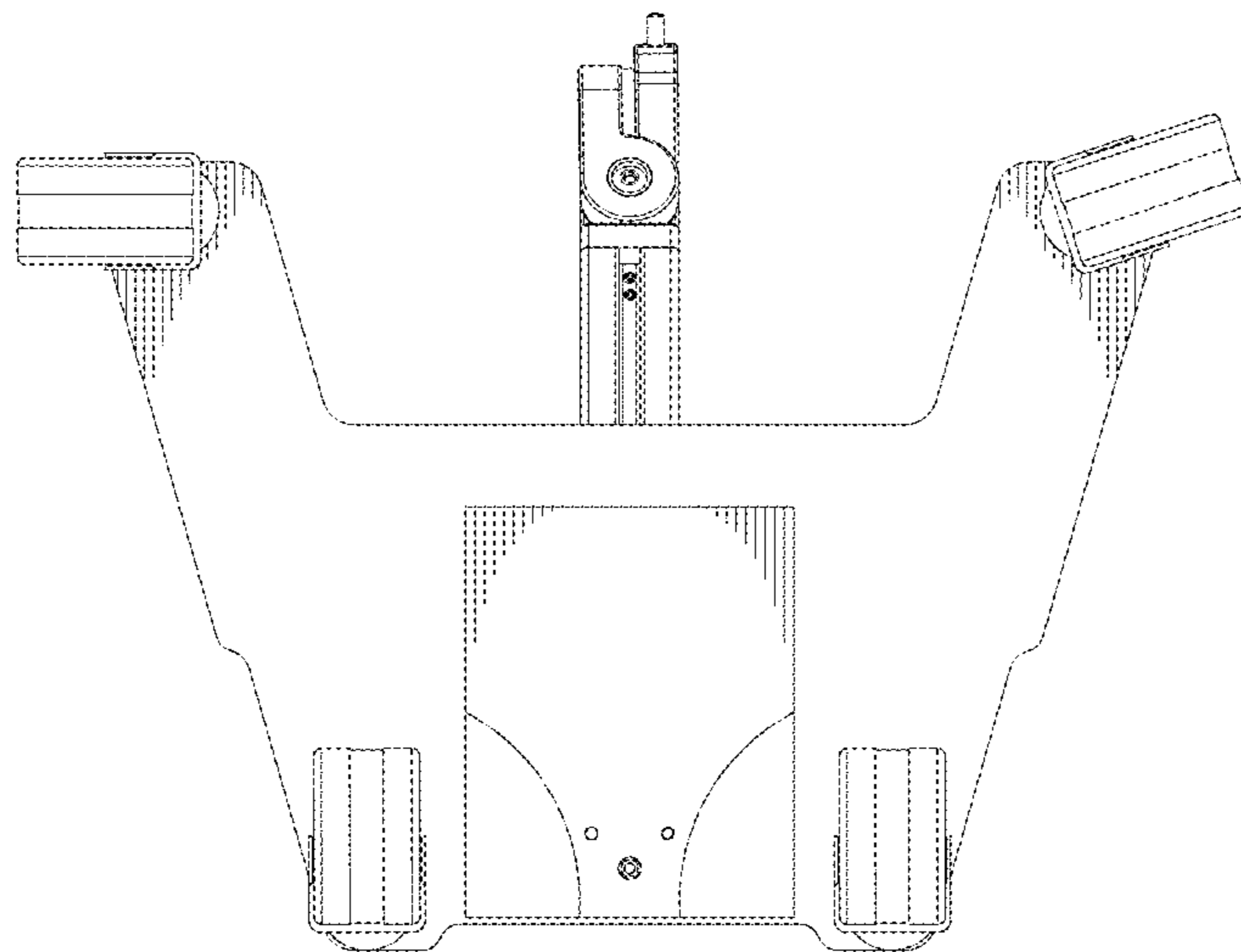


Fig. 6.

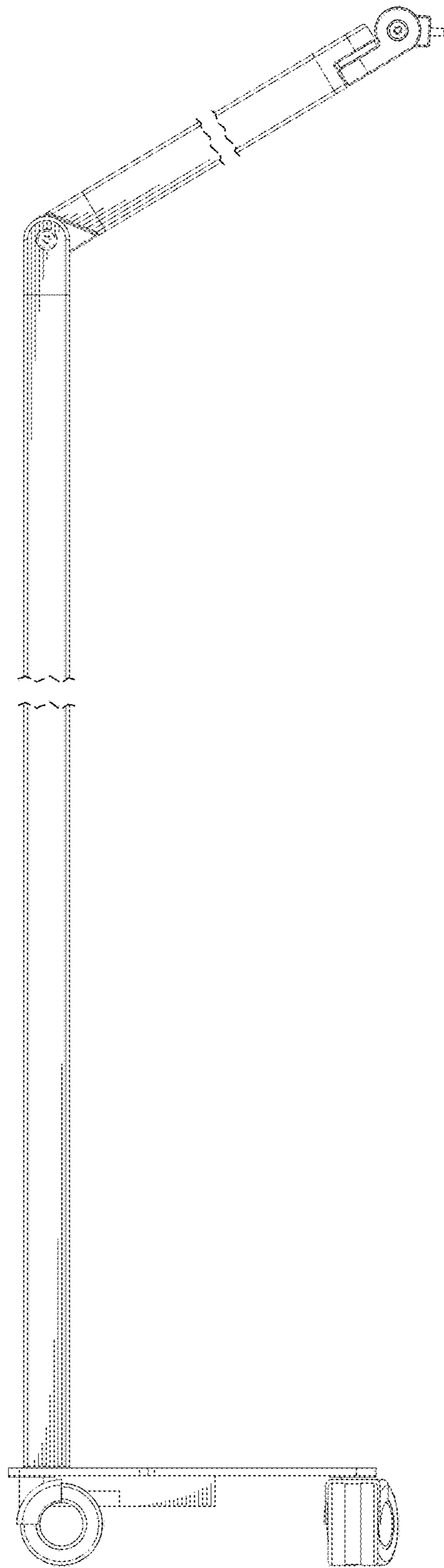


Fig. 7.

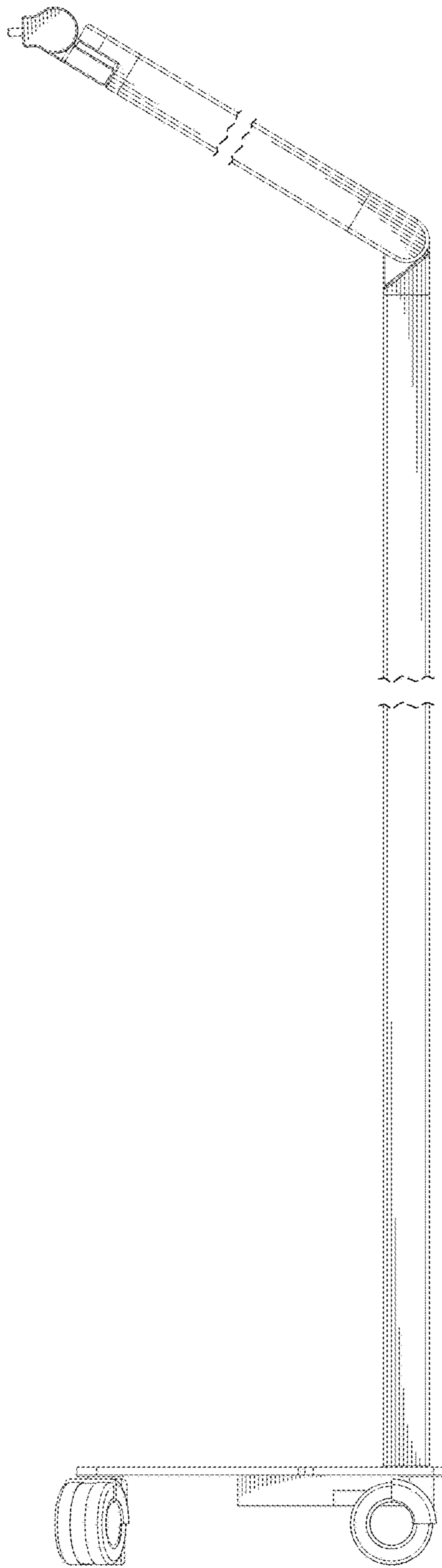


Fig. 8.