



US00D796045S

(12) **United States Design Patent**
Henning

(10) **Patent No.:** **US D796,045 S**

(45) **Date of Patent:** **** Aug. 29, 2017**

(54) **COMMUNICATIONS EQUIPMENT**

(71) Applicant: **Sony Mobile Communications Inc.**,
Tokyo (JP)

(72) Inventor: **Simon Henning**, Lund (SE)

(73) Assignee: **Sony Mobile Communications Inc.**,
Tokyo (JP)

(**) Term: **15 Years**

(21) Appl. No.: **29/533,059**

(22) Filed: **Jul. 14, 2015**

(30) **Foreign Application Priority Data**

Jan. 16, 2015 (EM) 002614818

(51) **LOC (10) Cl.** **24-02**

(52) **U.S. Cl.**
USPC **D24/186; D14/344**

(58) **Field of Classification Search**
USPC D24/165-168, 186, 187, 107; D10/70,
D10/65, 97, 98, 30-32, 38; D11/3;
D14/341, 344, 138 R

CPC A61B 5/6802; A61B 5/681; A61B 5/6824;
A61B 5/6831; A61B 2560/0412; A61B
2560/0431; A61B 2560/0443; A61B
2560/0462; A61B 2560/0468; A61B
5/02405; A61B 5/02438; G08B 21/0211
See application file for complete search history.

(56) **References Cited**

U.S. PATENT DOCUMENTS

D711,002 S * 8/2014 Ohnemus D24/186
D715,668 S * 10/2014 Roush D10/70
D720,248 S * 12/2014 Law D11/3

D724,453 S * 3/2015 Ogihara D10/70
D725,510 S * 3/2015 Henning D10/70
D737,699 S * 9/2015 Chang D10/39
D746,477 S * 12/2015 Cha D24/186
D747,714 S * 1/2016 Erbeus D14/344
D757,583 S * 5/2016 Roush D24/167
D759,622 S * 6/2016 Dahlberg D14/344
D768,858 S * 10/2016 Komulainen D24/167
2014/0200691 A1 * 7/2014 Lee A61B 5/681
700/91

OTHER PUBLICATIONS

SmartBand 2—Heart Rate Monitor—Sony Mobile (Global UK English). Posted date not verifiable. Retrieved from Internet: <https://www.sonymobile.com/global-en/products/smart-products/smartband-2/>[Apr. 24, 2017 5:00:45 PM.*

* cited by examiner

Primary Examiner — Anhdao Doan

(74) *Attorney, Agent, or Firm* — Renner, Otto, Boisselle & Sklar, LLP

(57) **CLAIM**

The ornamental design for a communications equipment, as shown and described.

DESCRIPTION

FIG. 1 is a top, front, right side, perspective view of communications equipment showing my new design.

FIG. 2 is a rear view thereof.

FIG. 3 is a bottom view thereof.

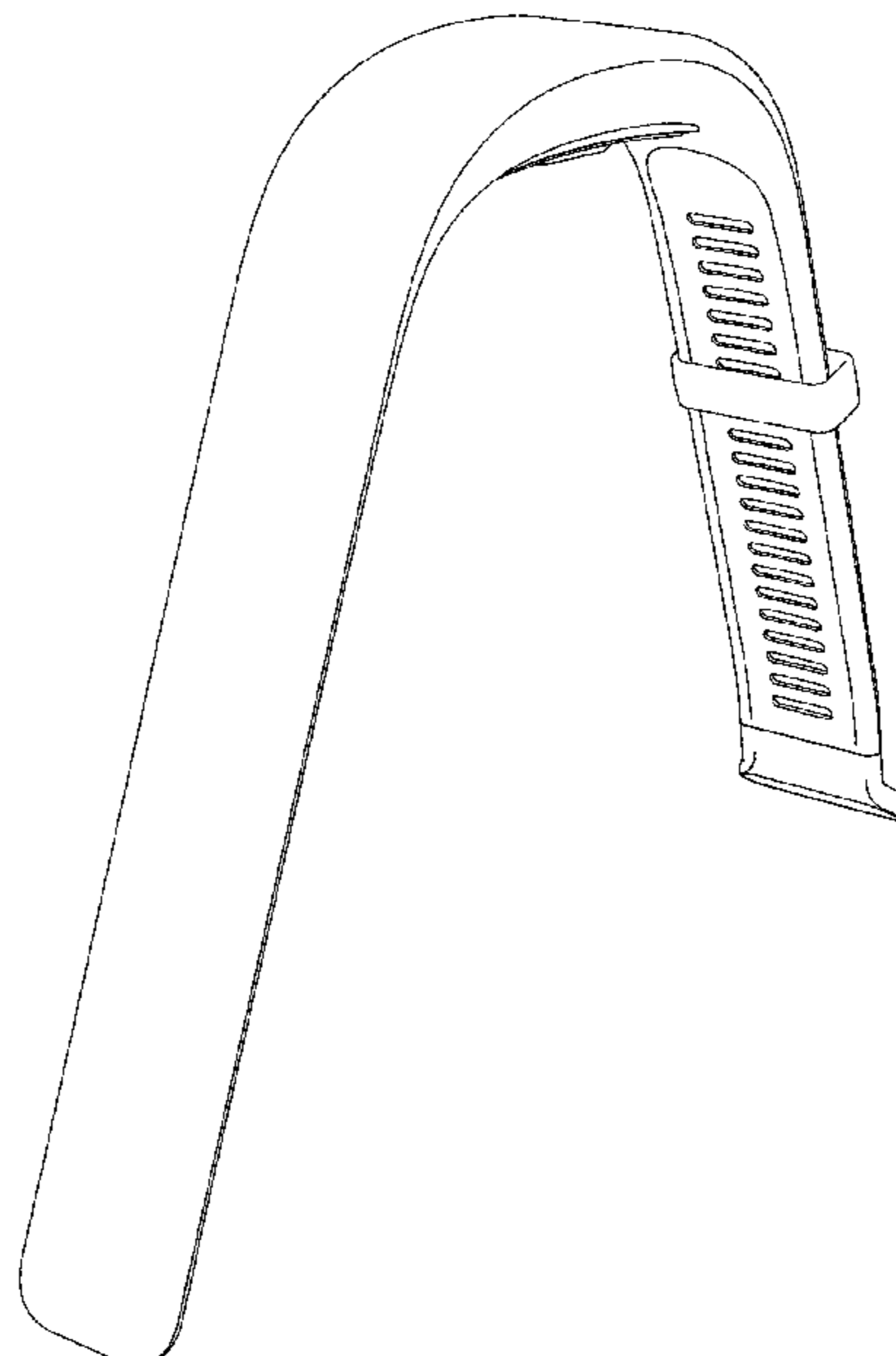
FIG. 4 is a right side view thereof.

FIG. 5 is a left side view thereof.

FIG. 6 is a bottom, rear, left side, perspective view thereof; and,

FIG. 7 is a front view thereof.

1 Claim, 7 Drawing Sheets



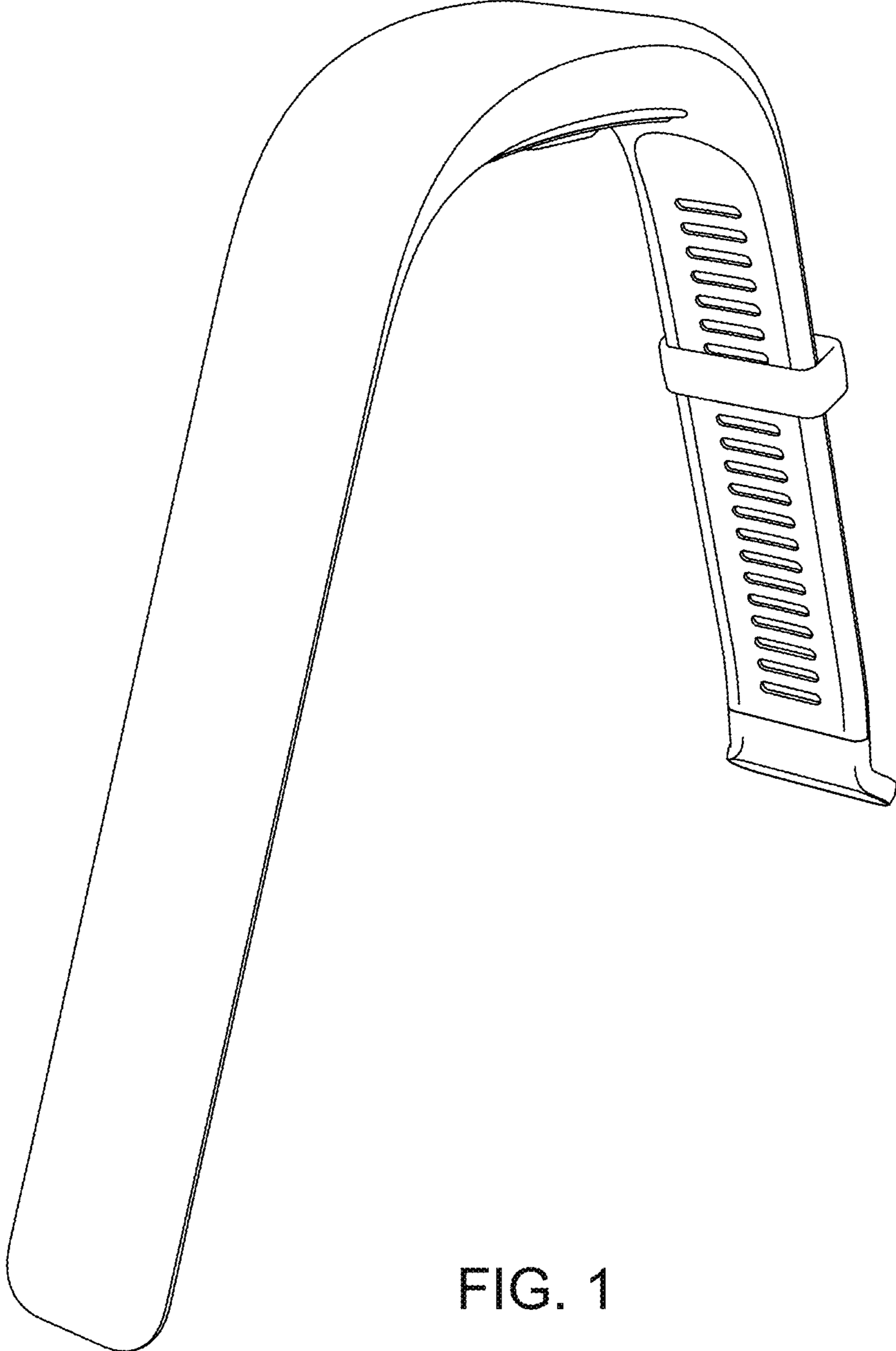


FIG. 1

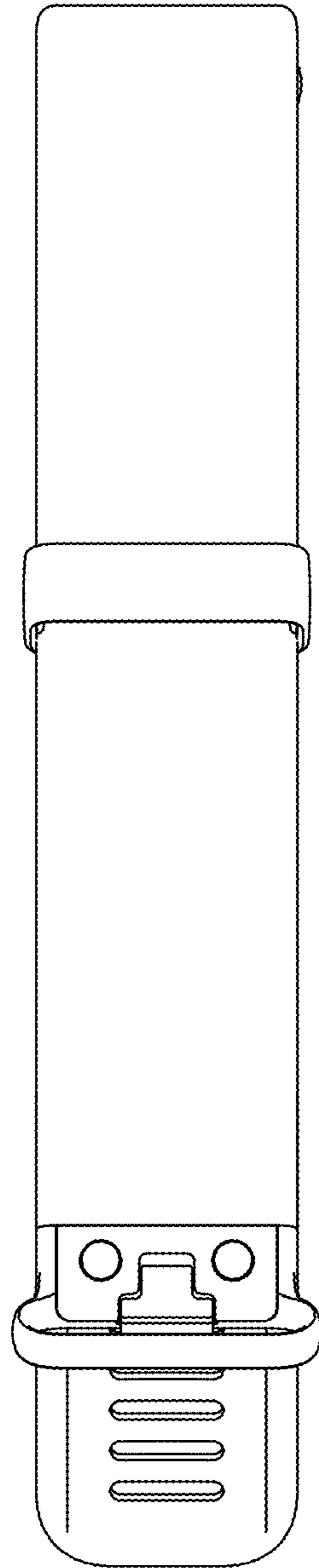


FIG. 2

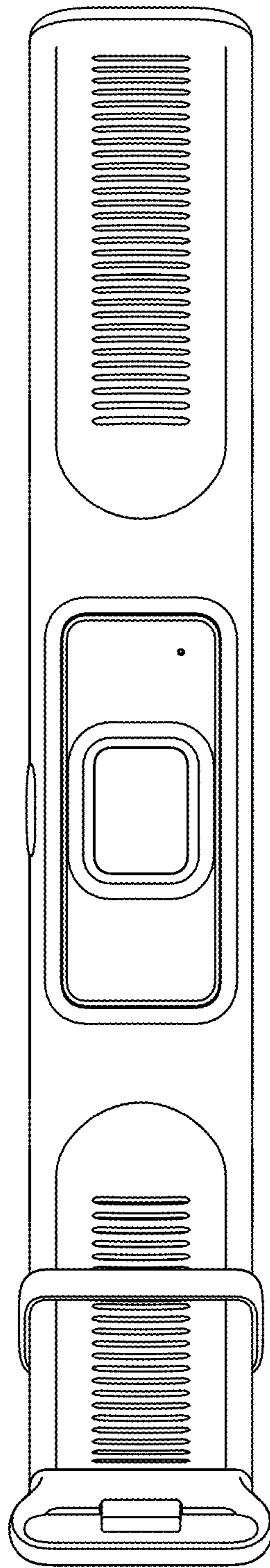


FIG. 3

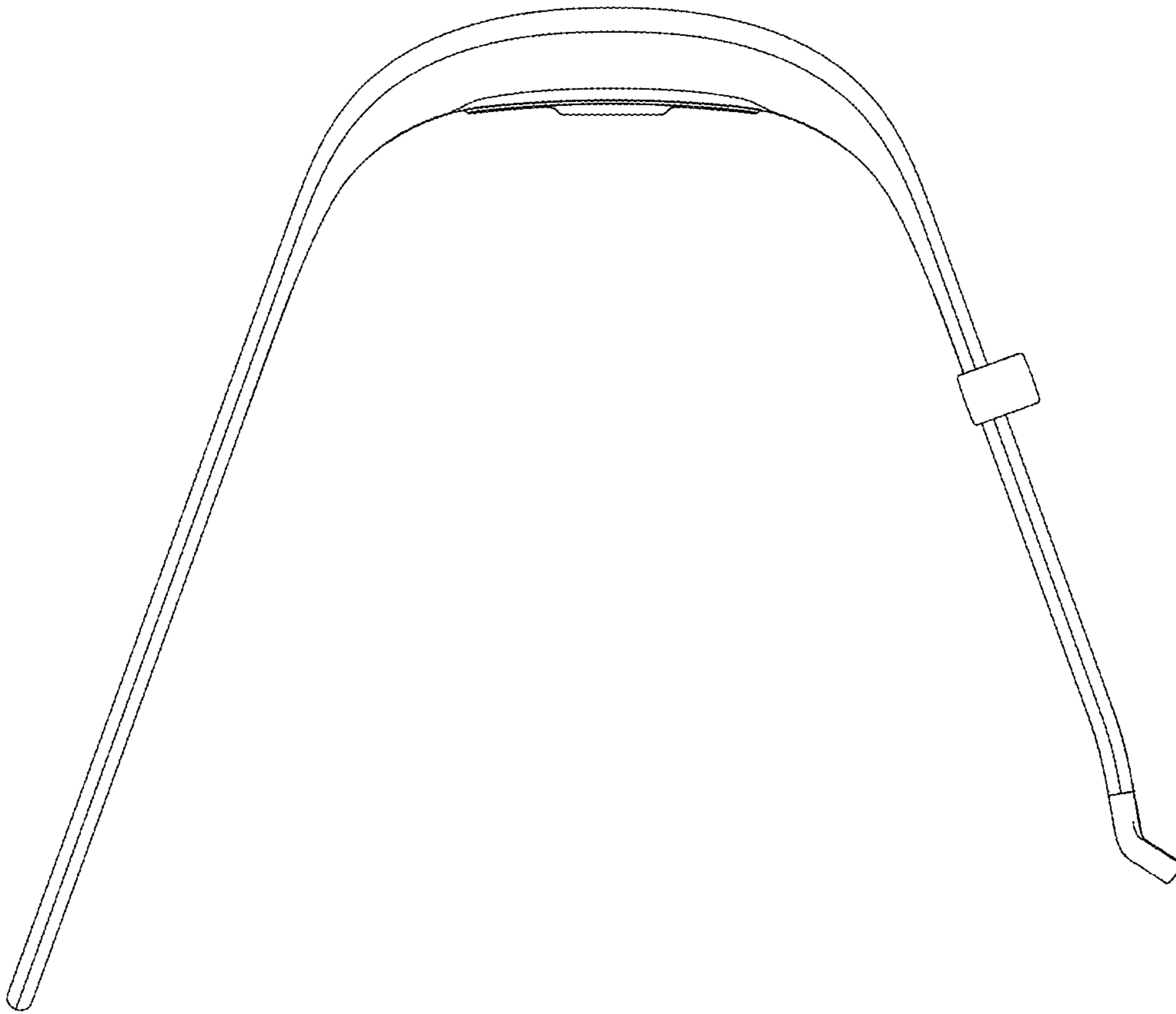


FIG. 4

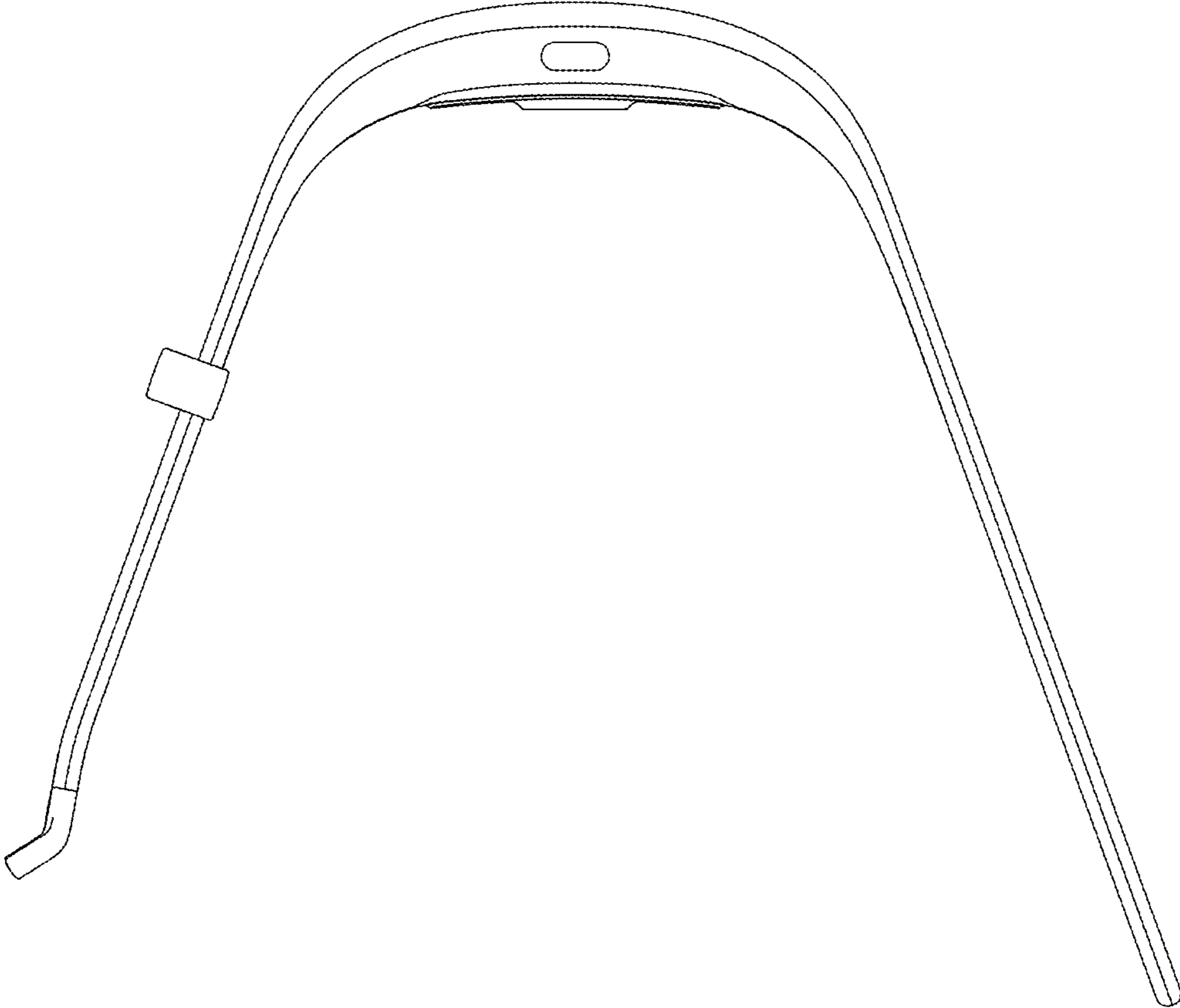


FIG. 5

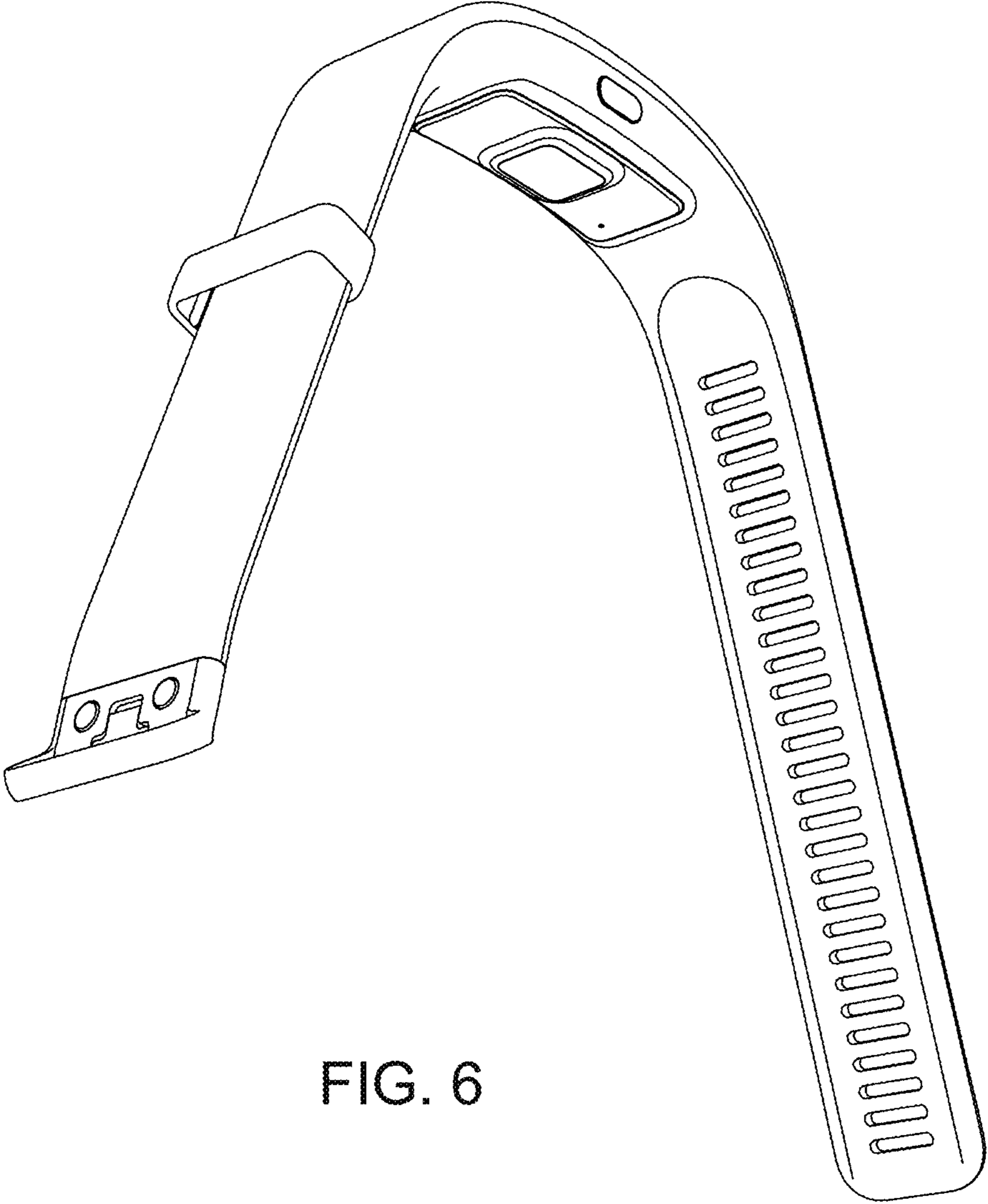


FIG. 6

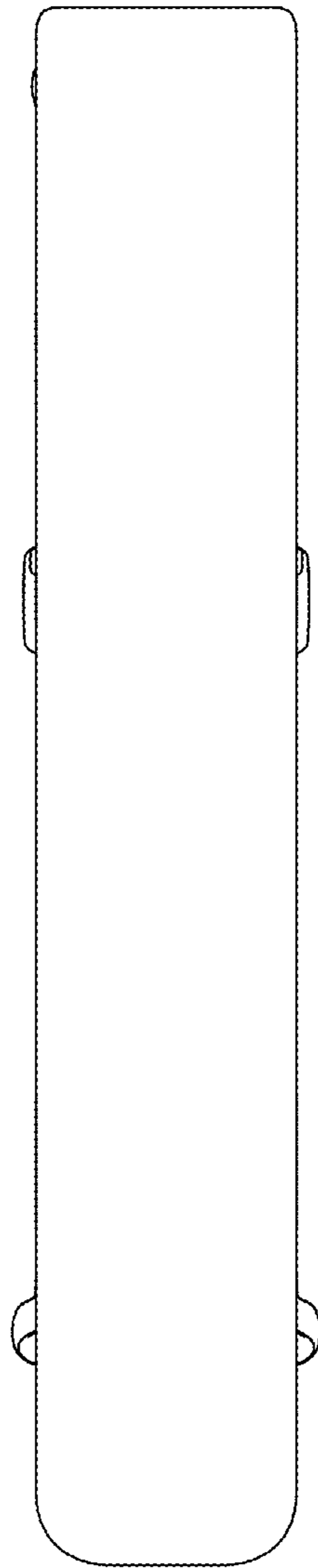


FIG. 7