



US00D796043S

(12) **United States Design Patent** (10) **Patent No.:** **US D796,043 S**  
**Boehner et al.** (45) **Date of Patent:** **\*\* Aug. 29, 2017**

(54) **MEDICAL IMAGING APPARATUS**

D702,837 S \* 4/2014 Dinse ..... D24/158  
D736,387 S \* 8/2015 Dorre ..... D24/158  
D757,270 S \* 5/2016 Hokari ..... D24/158

(71) Applicant: **Siemens Healthcare GmbH**, Erlangen (DE)

(Continued)

(72) Inventors: **Julian Boehner**, Bad Rodach (DE);  
**Christoph Winkler**, Stuttgart (DE);  
**Gerben Ten Cate**, Forchheim (DE)

*Primary Examiner* — Anhdao Doan

(74) *Attorney, Agent, or Firm* — Schiff Hardin LLP

(73) Assignee: **Siemens Healthcare GmbH**, Erlangen (DE)

(57) **CLAIM**

The ornamental design for a medical imaging apparatus, as shown and described.

(\*\*) Term: **15 Years**

**DESCRIPTION**

(21) Appl. No.: **29/551,435**

The patent or application file contains at least one drawing executed in color. Copies of this patent or patent application publication with color drawing(s) will be provided by the Office upon request and payment of the necessary fee.

(22) Filed: **Jan. 13, 2016**

FIG. 1 is a front elevational view of the medical imaging apparatus according to an embodiment of the present disclosure;

(30) **Foreign Application Priority Data**

Jul. 21, 2015 (EM) ..... 001437362

FIG. 2 is a back elevational view thereof;

(51) **LOC (10) Cl.** ..... **24-01**

FIG. 3 is a top plan view thereof;

(52) **U.S. Cl.**  
USPC ..... **D24/158**

FIG. 4 is a bottom plan view thereof;

(58) **Field of Classification Search**  
USPC ..... D24/158-161, 185, 186, 107  
CPC .. A61B 5/05; A61B 5/055; A61B 6/03; A61B 6/035; A61B 6/4405; A61B 6/4411; A61B 6/4435; A61B 6/4441; A61B 6/4447  
See application file for complete search history.

FIG. 5 is a side elevational view of the right side thereof;  
FIG. 6 is a side elevational view of the left side thereof; and  
FIG. 7 is a perspective view taken generally from the upper, front, left-hand side thereof.

(56) **References Cited**

**U.S. PATENT DOCUMENTS**

6,609,826 B1 \* 8/2003 Fujii ..... A61B 6/12  
378/197  
D600,348 S \* 9/2009 Dorre ..... D24/158  
D648,028 S \* 11/2011 Yokoyama ..... D24/158  
D658,762 S \* 5/2012 Yokoyama ..... D24/158

FIG. 8 is a front elevational view of the medical imaging apparatus according to another embodiment of the present disclosure;

FIG. 9 is a back elevational view thereof;

FIG. 10 is a top plan view thereof;

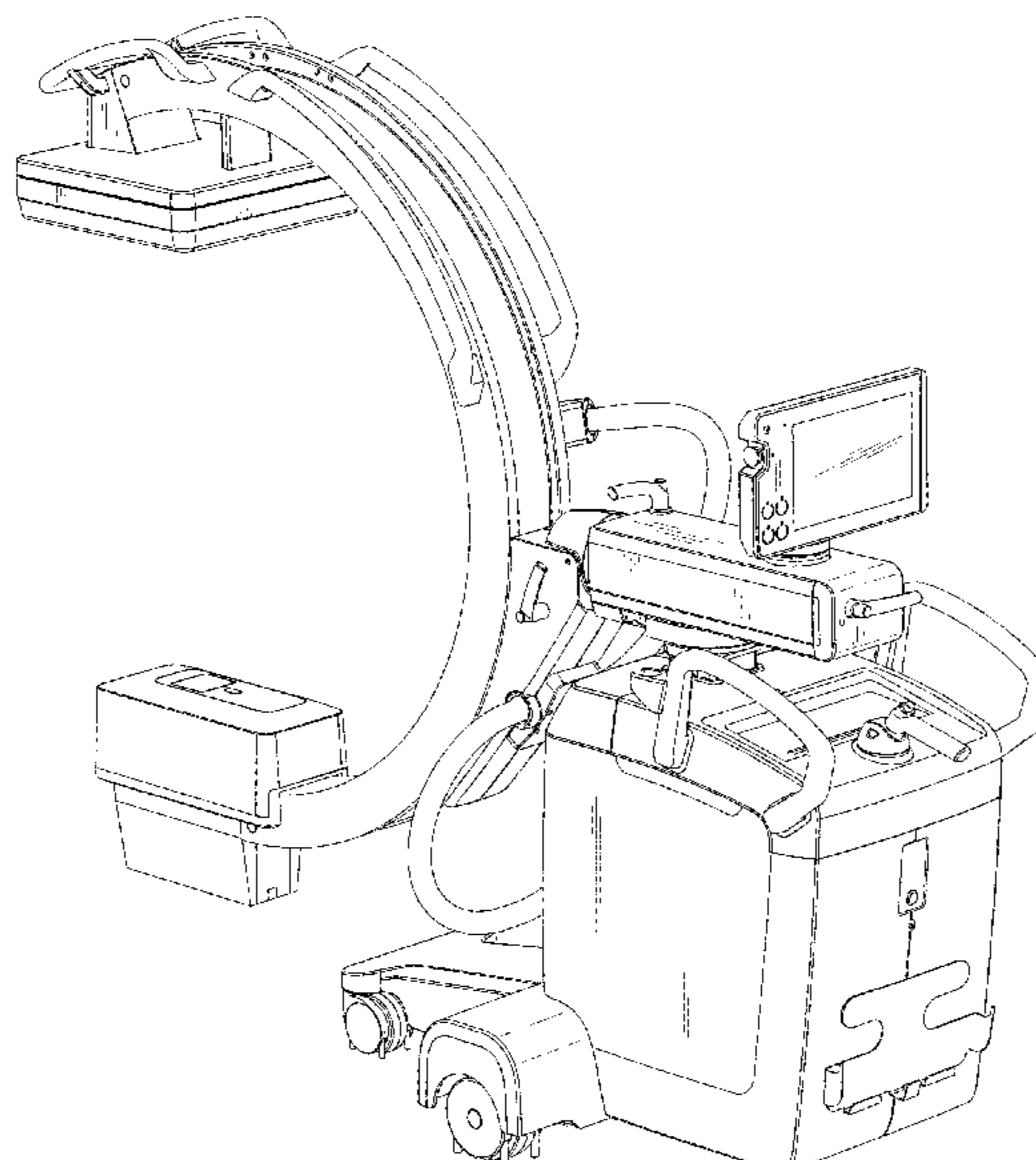
FIG. 11 is a bottom plan view thereof;

FIG. 12 is a side elevational view of the right side thereof;

FIG. 13 is a side elevational view of the left side thereof; and,

FIG. 14 is a perspective view taken generally from the upper, front, left-hand side thereof.

**1 Claim, 14 Drawing Sheets**  
**(4 of 14 Drawing Sheet(s) Filed in Color)**



(56)

**References Cited**

U.S. PATENT DOCUMENTS

2008/0123819 A1\* 5/2008 Jensen ..... A61B 6/4405  
378/198  
2010/0322377 A1\* 12/2010 Niizeki ..... A61B 6/04  
378/20  
2011/0251530 A1\* 10/2011 Reboul ..... A61B 6/4405  
601/4  
2012/0289821 A1\* 11/2012 Graumann ..... A61B 6/08  
600/424

\* cited by examiner

FIG. 1

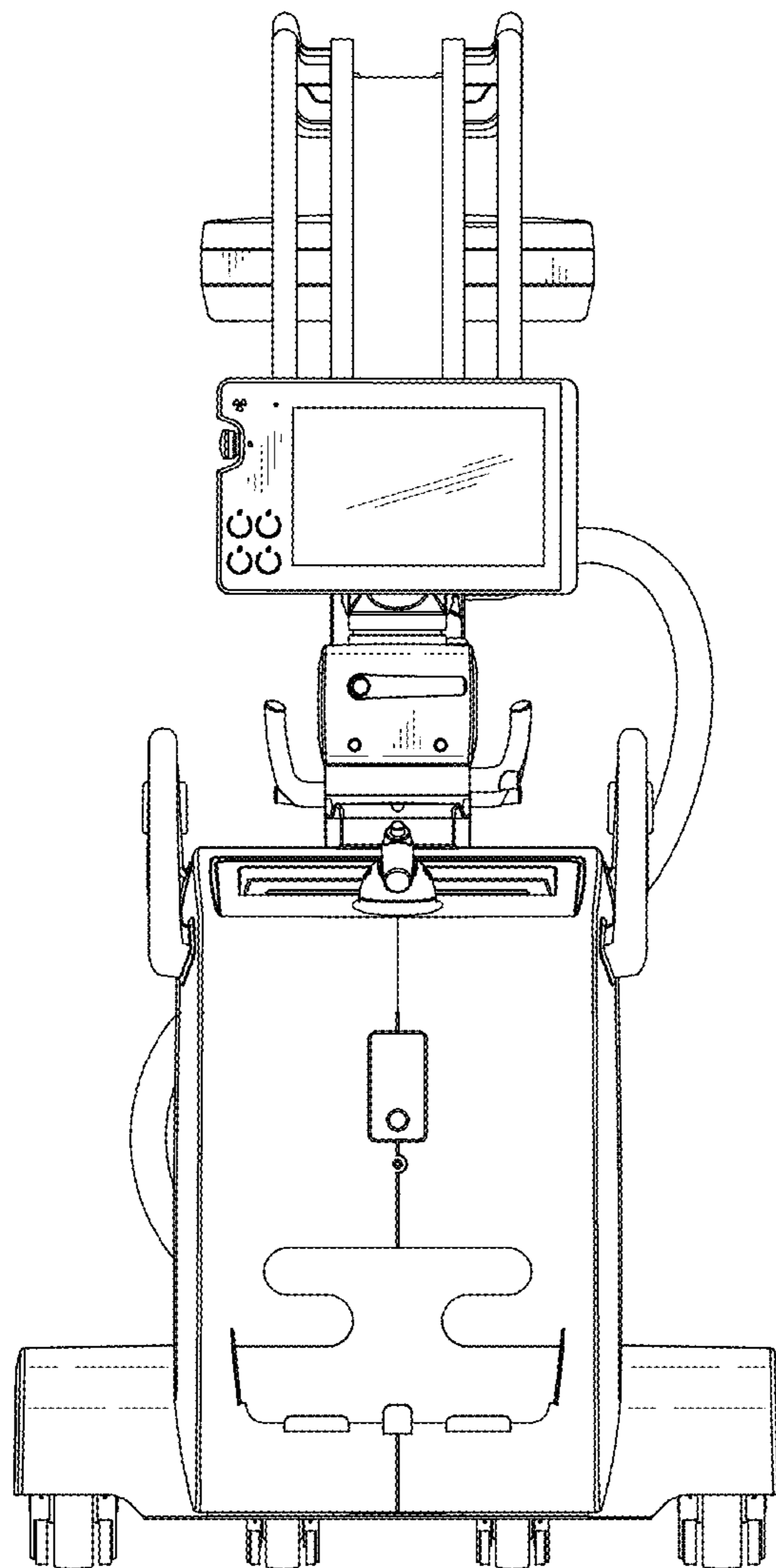


FIG. 2

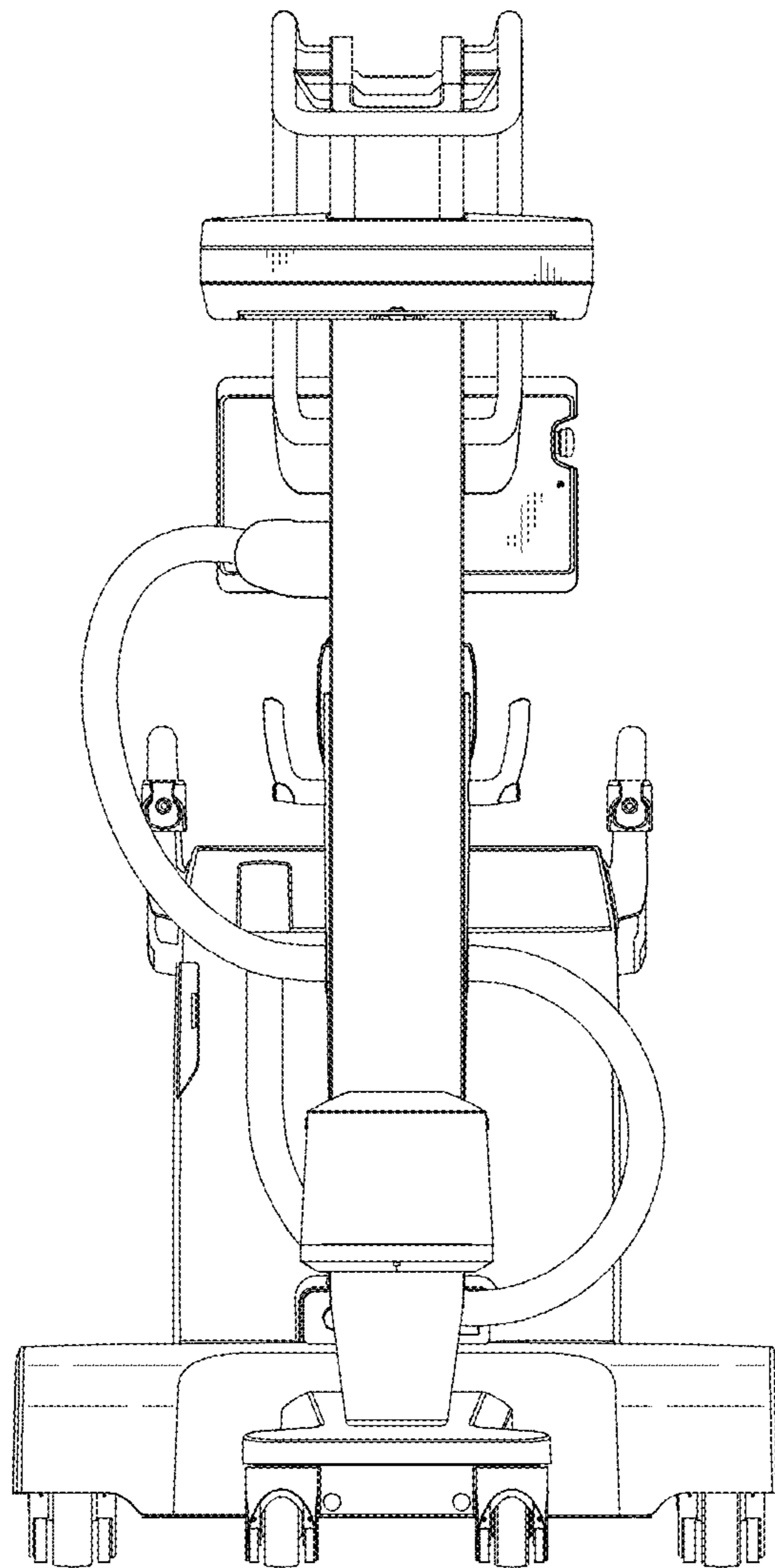
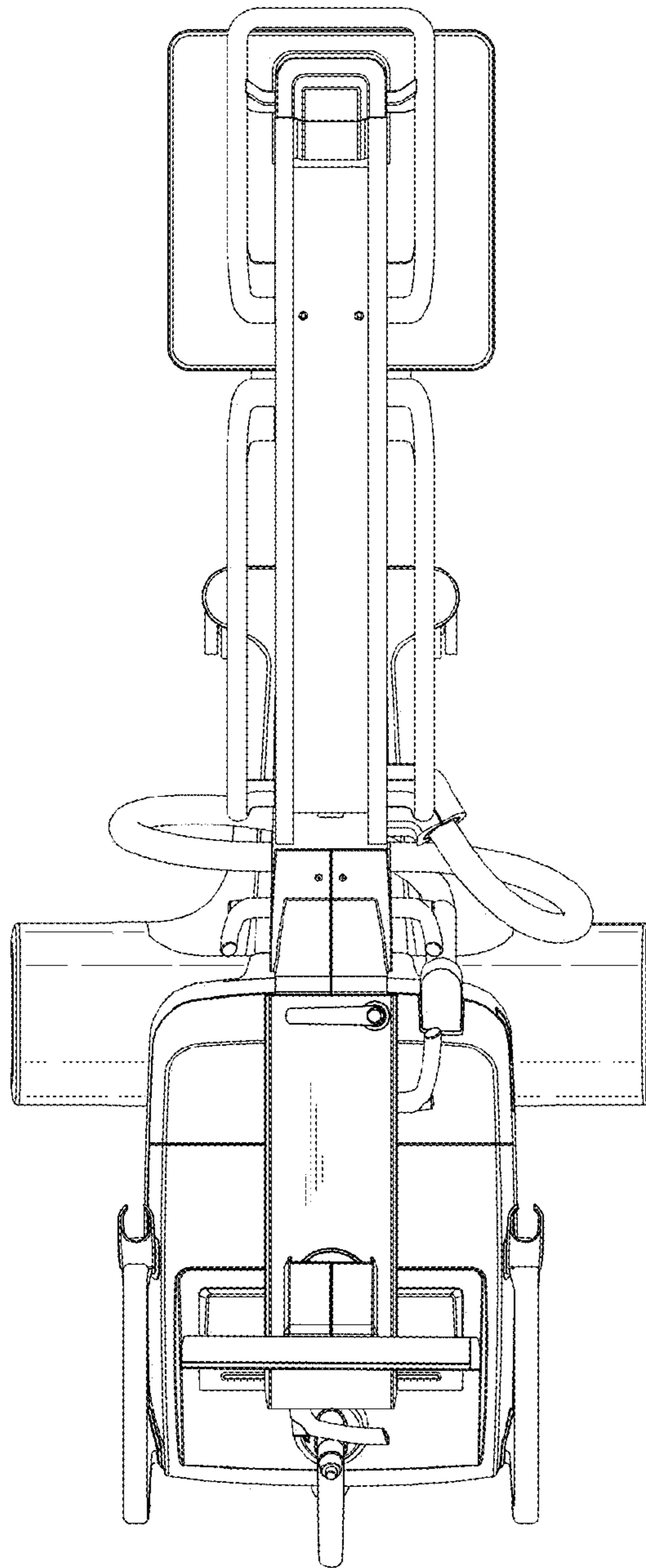


FIG. 3



# FIG. 4

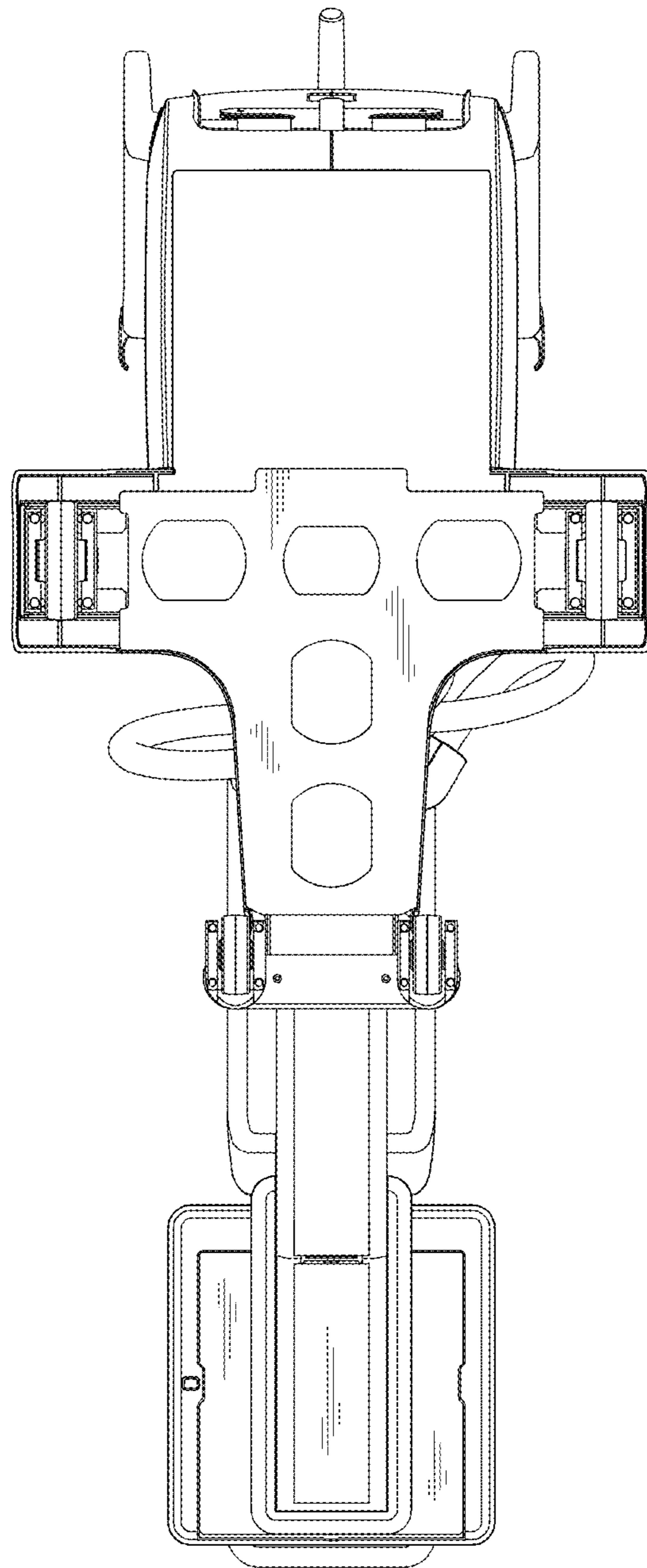


FIG. 5

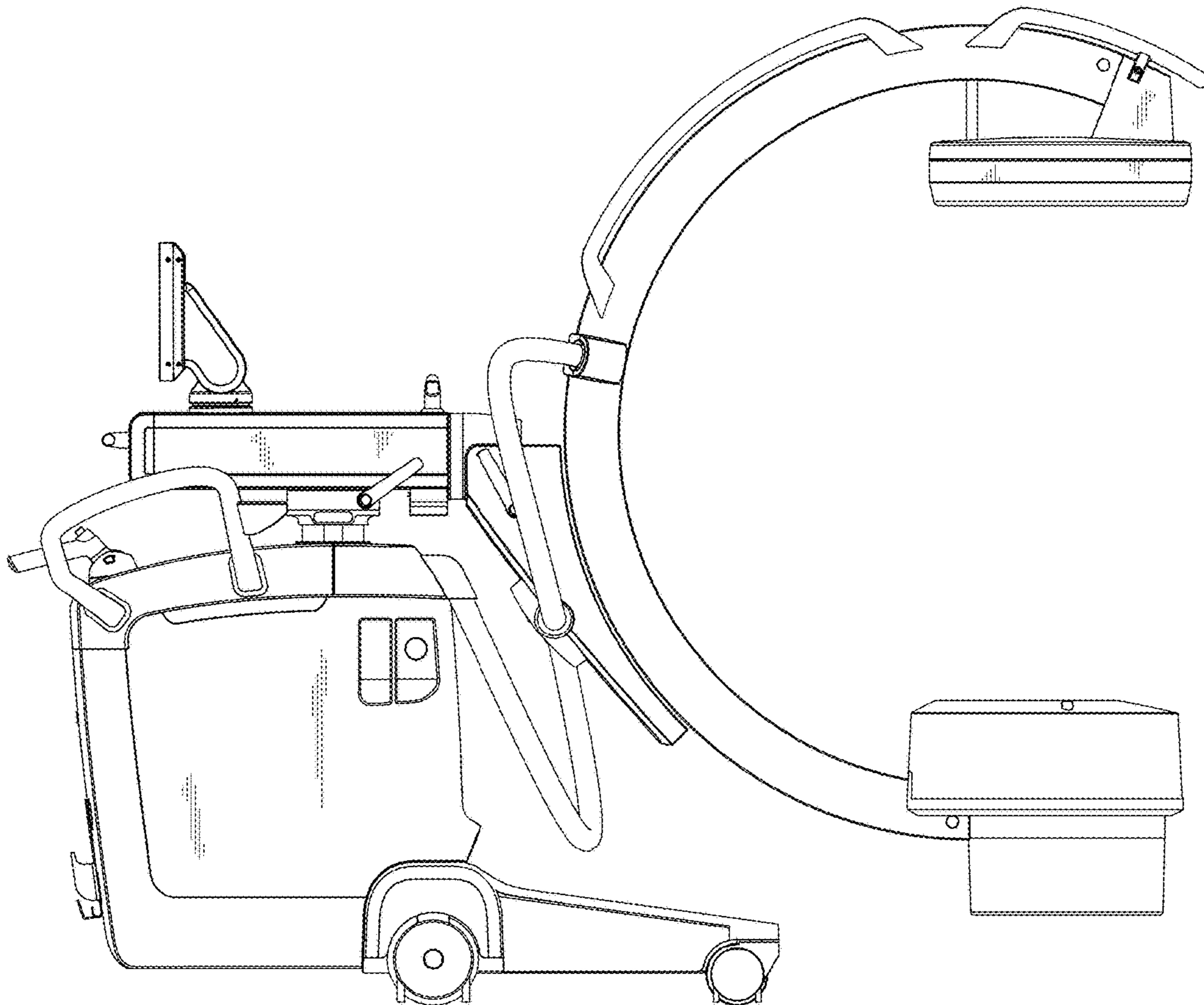


FIG. 6

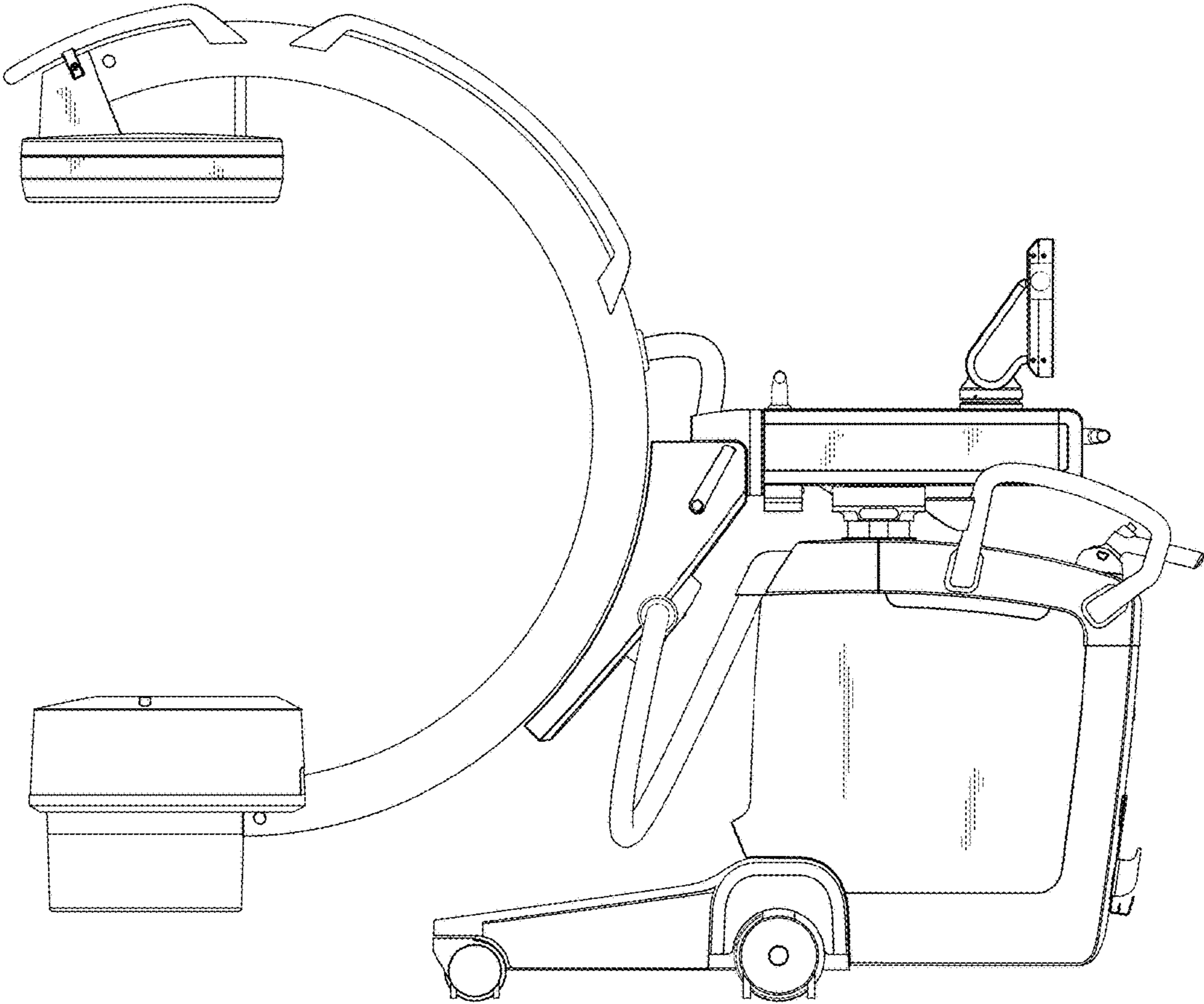
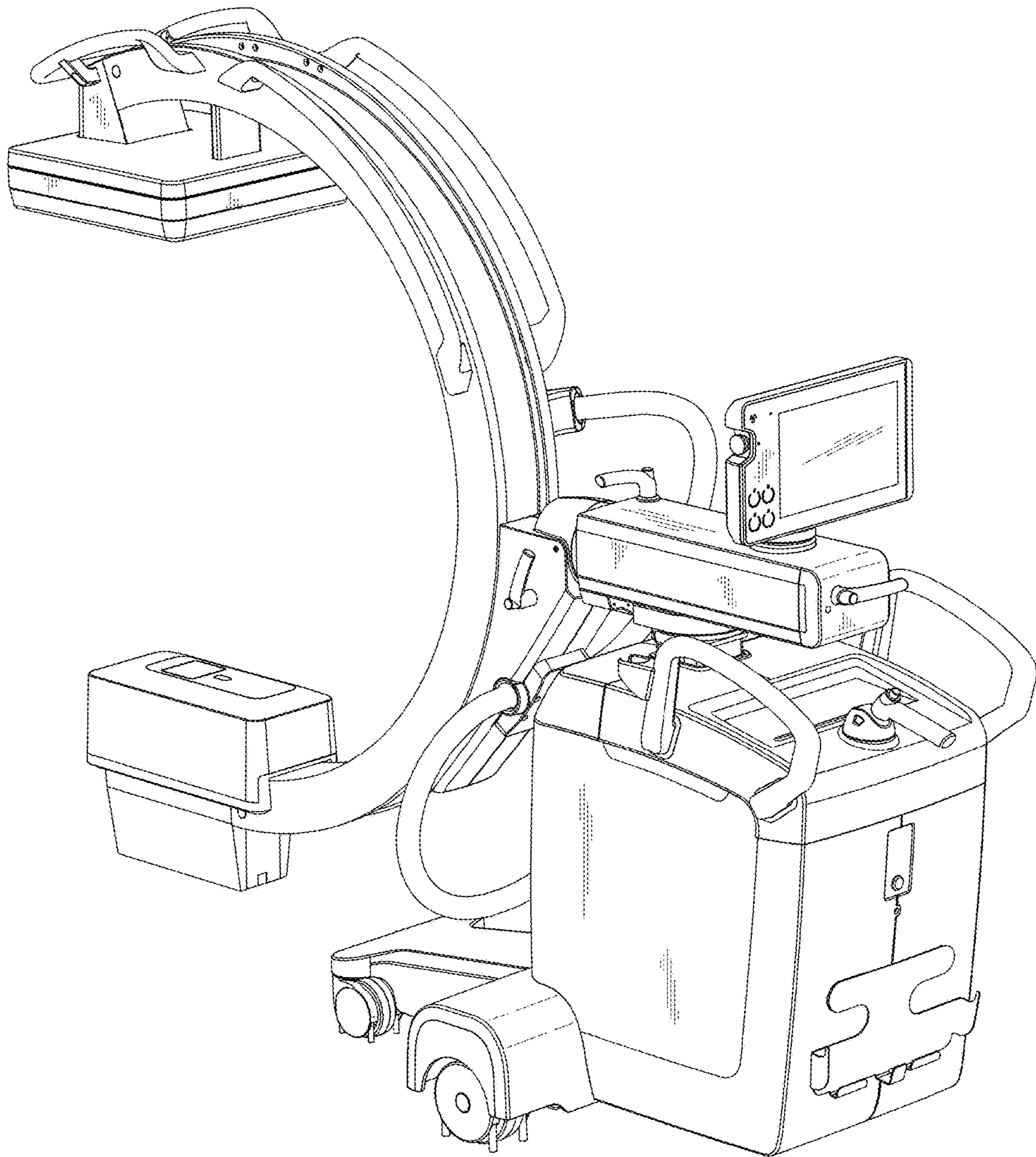




FIG. 7



# FIG. 8

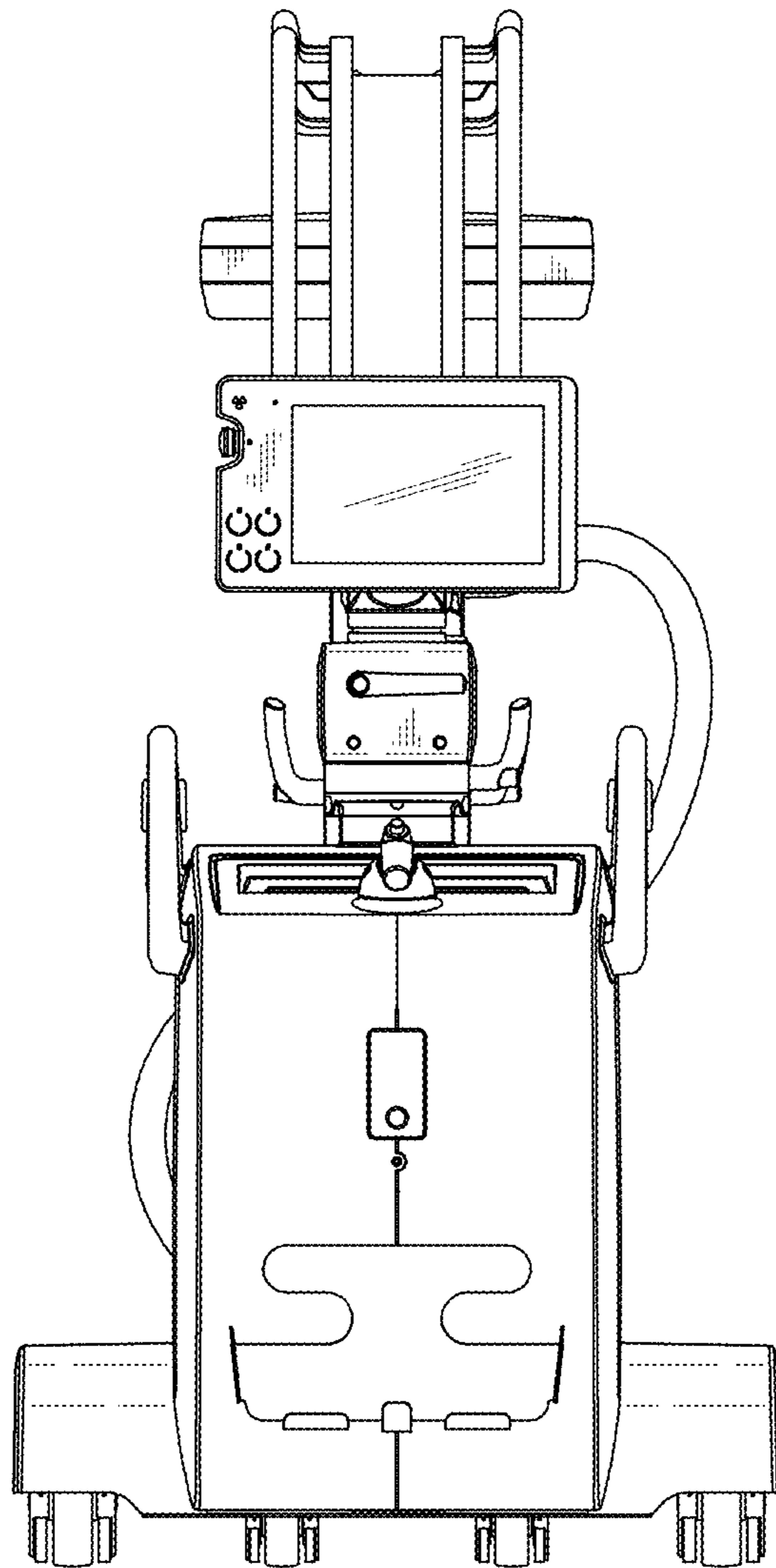
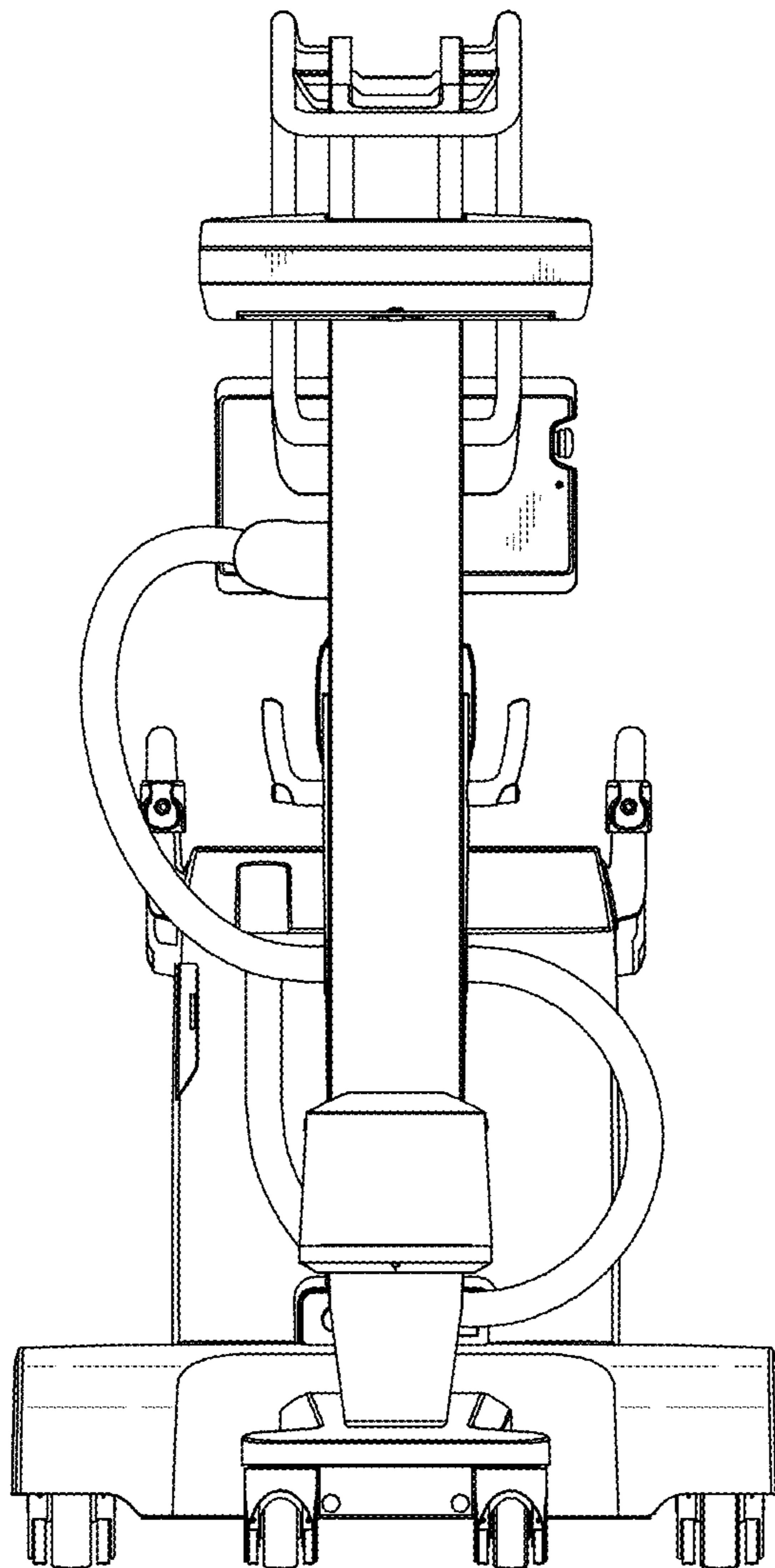


FIG. 9



# FIG. 10

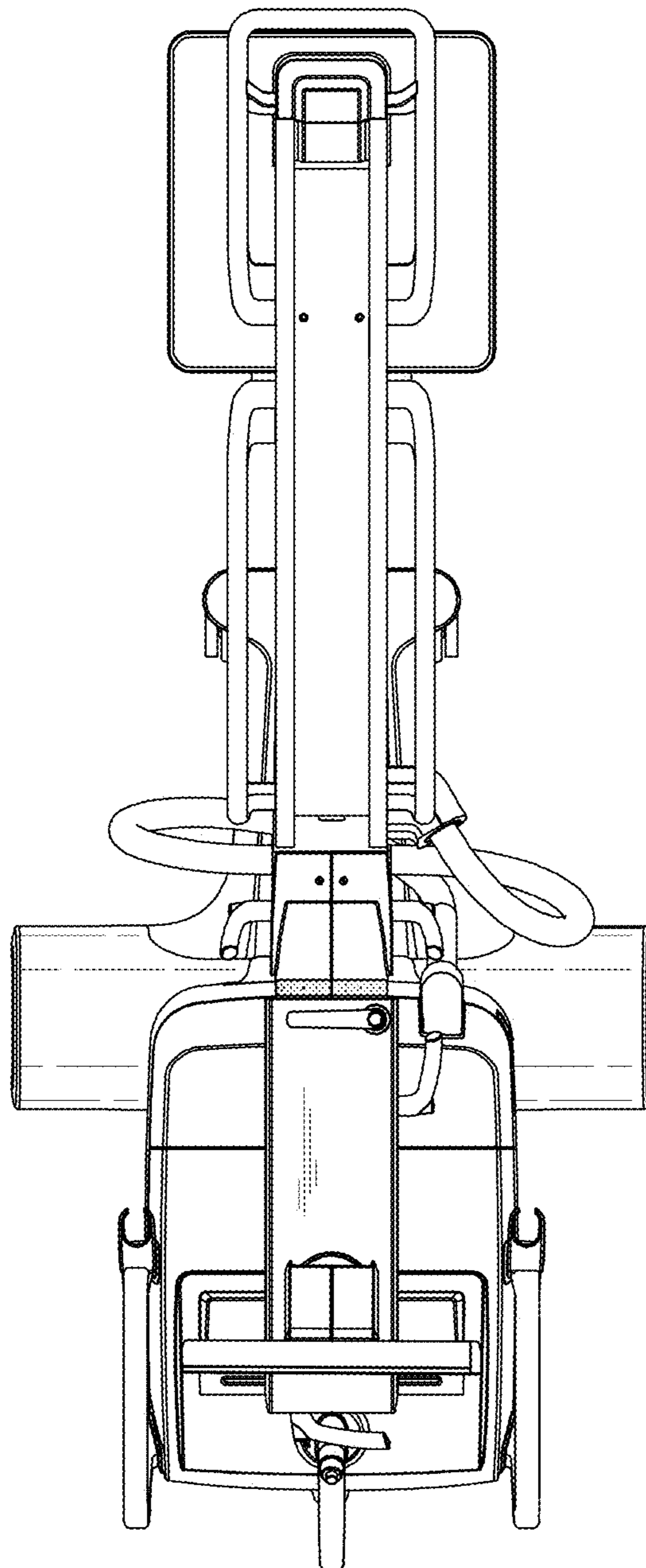


FIG. 11

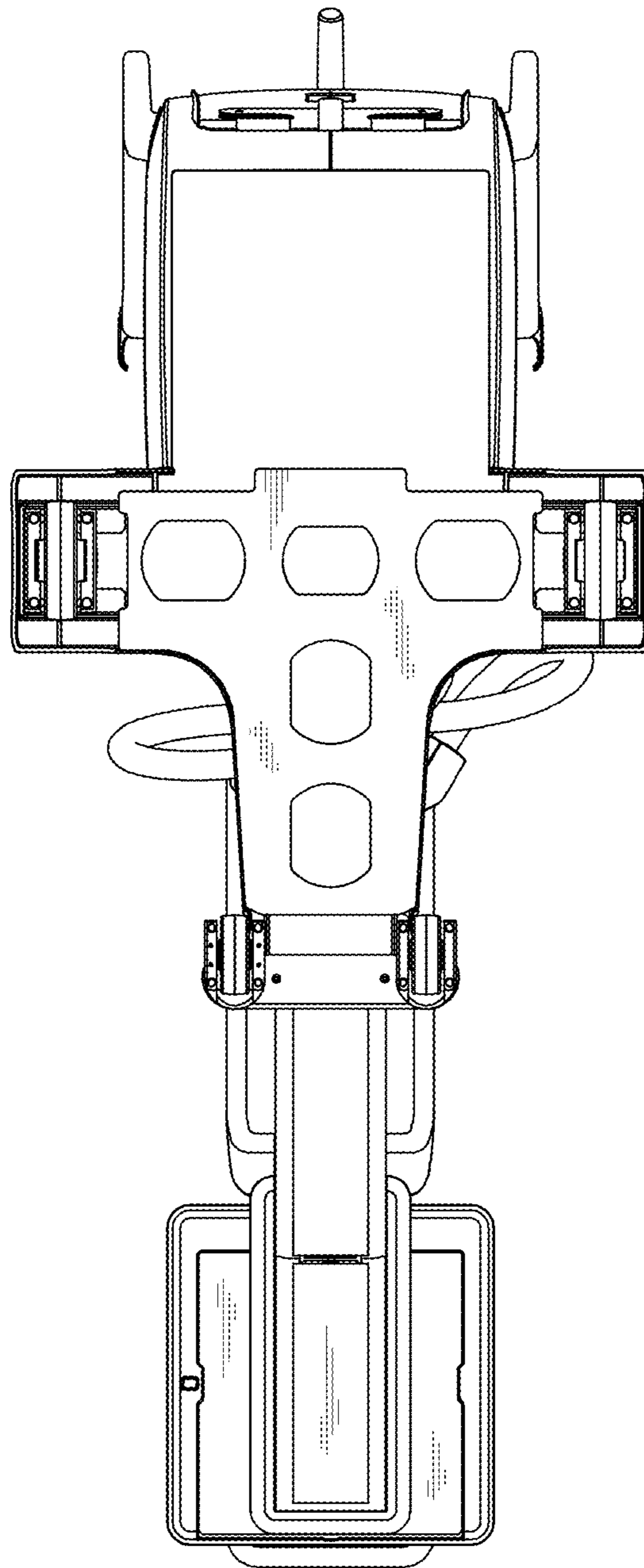


FIG. 12

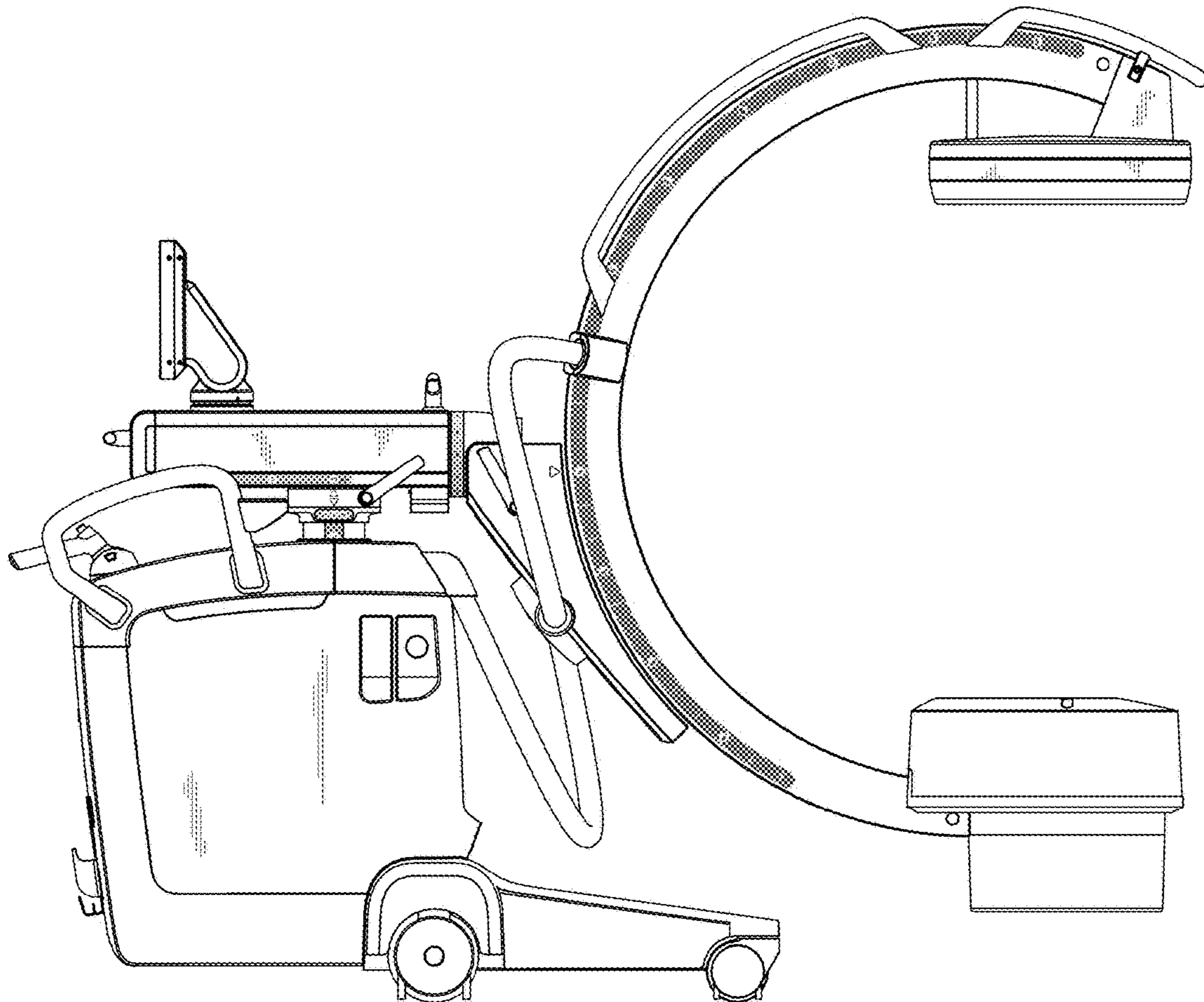


FIG. 13

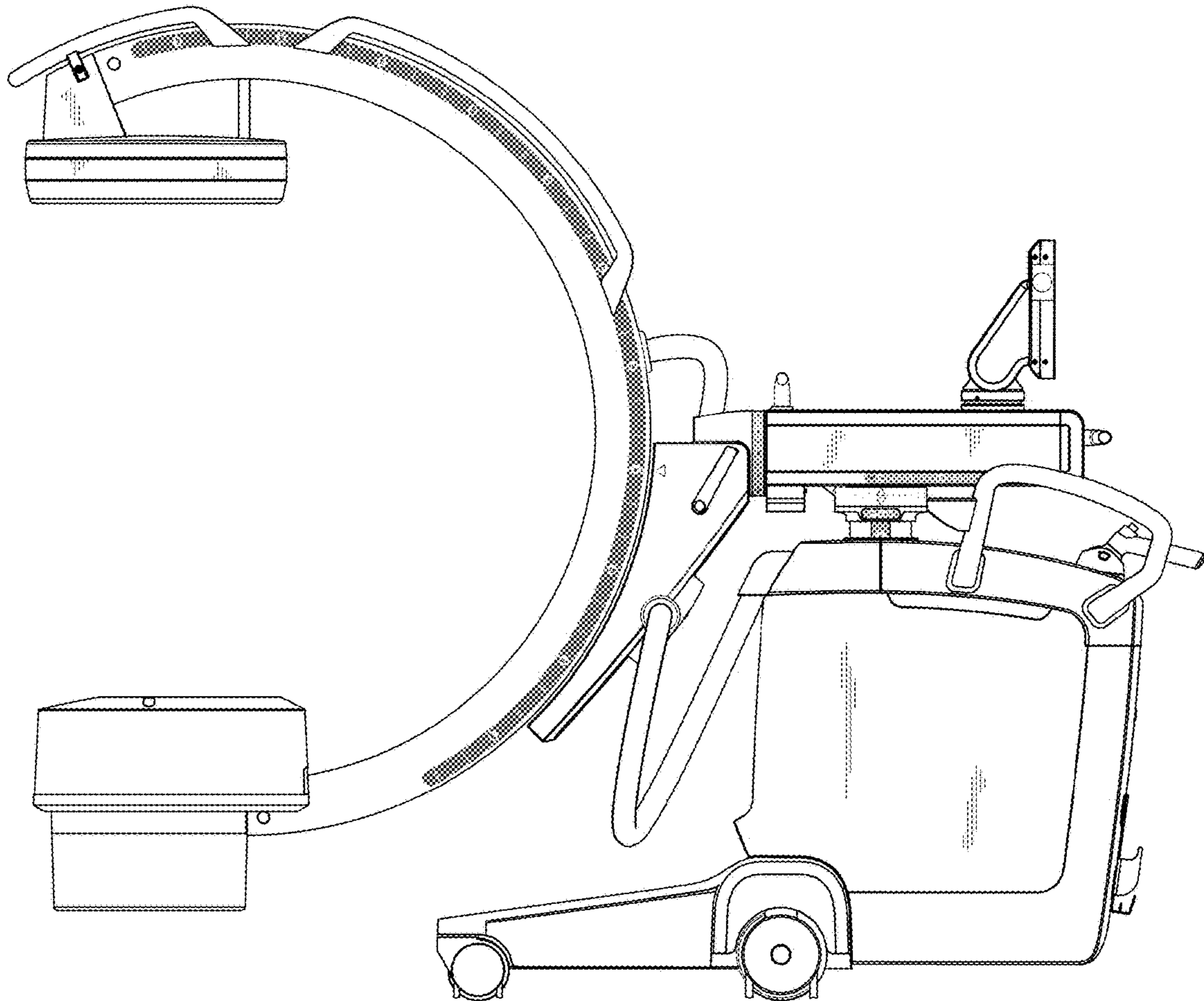


FIG. 14

