



US00D796042S

(12) **United States Design Patent**
Eubanks

(10) **Patent No.:** **US D796,042 S**

(45) **Date of Patent:** **** Aug. 29, 2017**

(54) **HANDLE FOR LAPAROSCOPIC SURGERY INSTRUMENT**

(71) Applicant: **ADVENTIST HEALTH SYSTEM/SUNBELT, INC.**, Altamonte Springs, FL (US)

(72) Inventor: **Steve Eubanks**, Winter Park, FL (US)

(73) Assignee: **ADVENTIST HEALTH SYSTEM/SUNBELT, INC.**, Altamonte Springs, FL (US)

(**) Term: **15 Years**

(21) Appl. No.: **29/537,984**

(22) Filed: **Aug. 31, 2015**

(51) **LOC (10) Cl.** **24-02**

(52) **U.S. Cl.**
USPC **D24/148**

(58) **Field of Classification Search**
USPC D24/108, 112, 117, 118, 130, 133, 135, D24/137, 138, 222, 141, 111, 113, 127, D24/143, 144, 148, 179, 216, 152, 153, D24/154, 176, 170
CPC A61B 1/00; A61B 1/00137; A61B 1/005; A61B 1/0014; A61B 1/0676; A61B 1/0669; A61B 1/00121; A61B 1/00133; A61B 1/00071; A61B 1/00064; A61B 1/00068; A61B 1/00112; A61B 1/0125; A61B 17/3478

See application file for complete search history.

(56) **References Cited**

U.S. PATENT DOCUMENTS

- 5,476,479 A 12/1995 Green et al.
- 5,637,110 A 6/1997 Pennybacker et al.
- 5,755,713 A 5/1998 Bilof et al.
- 6,641,595 B1 11/2003 Moran et al.
- D624,646 S * 9/2010 Peschke D24/133

- D630,322 S * 1/2011 Speiser D24/133
- D631,961 S * 2/2011 Held D24/133
- D632,786 S * 2/2011 Risoli D24/133
- D633,613 S * 3/2011 Risoli D24/133
- D644,734 S * 9/2011 Sullivan D24/133
- D661,800 S * 6/2012 Besse D24/133
- D663,835 S * 7/2012 Besse D24/133
- D666,291 S * 8/2012 Baehr D24/133
- D670,380 S * 11/2012 Sapalev D24/133
- D692,560 S * 10/2013 Kaercher D24/133
- D698,920 S * 2/2014 Strobel D24/133
- 8,715,299 B2 5/2014 Menn et al.
- D717,949 S * 11/2014 Peschke D24/133
- 2007/0287993 A1 12/2007 Hinman et al.

FOREIGN PATENT DOCUMENTS

WO 2012112211 A2 8/2012

* cited by examiner

Primary Examiner — Robert M Spear

Assistant Examiner — Eliza Bennett-Hattan

(74) *Attorney, Agent, or Firm* — McCarter & English, LLP

(57) **CLAIM**

The ornamental design for a handle for laparoscopic surgery instrument, as shown and described.

DESCRIPTION

FIG. 1 is a rear right perspective view of a surgical device handle;

FIG. 2 is a rear right detailed perspective view thereof;

FIG. 3 is a right side view thereof;

FIG. 4 is a left side view thereof;

FIG. 5 is a front end view thereof;

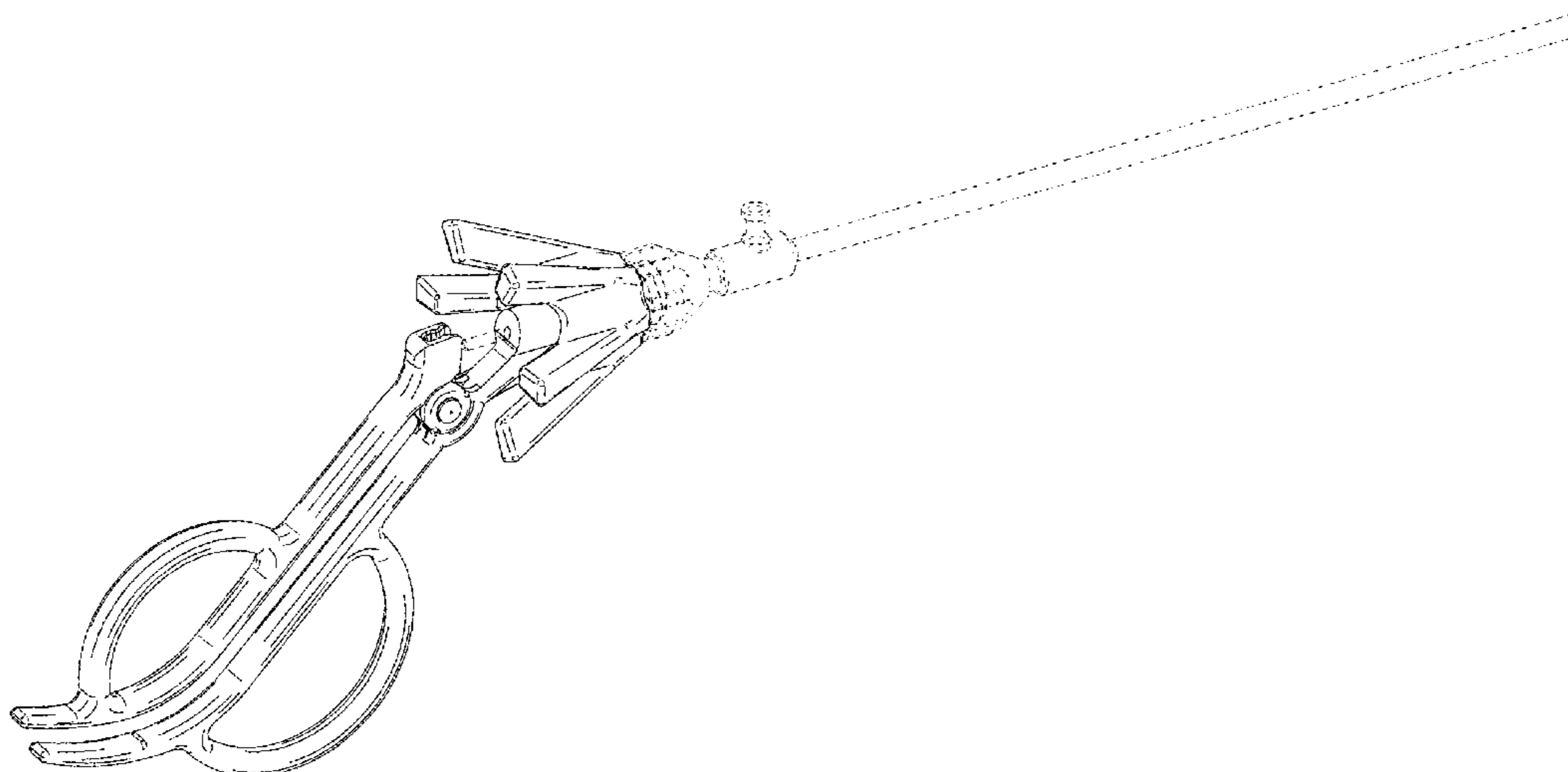
FIG. 6 is a back end view thereof;

FIG. 7 is a top view thereof; and,

FIG. 8 is a bottom view thereof.

All features illustrated in broken line are expressly disclaimed and form no part of the claimed design.

1 Claim, 6 Drawing Sheets



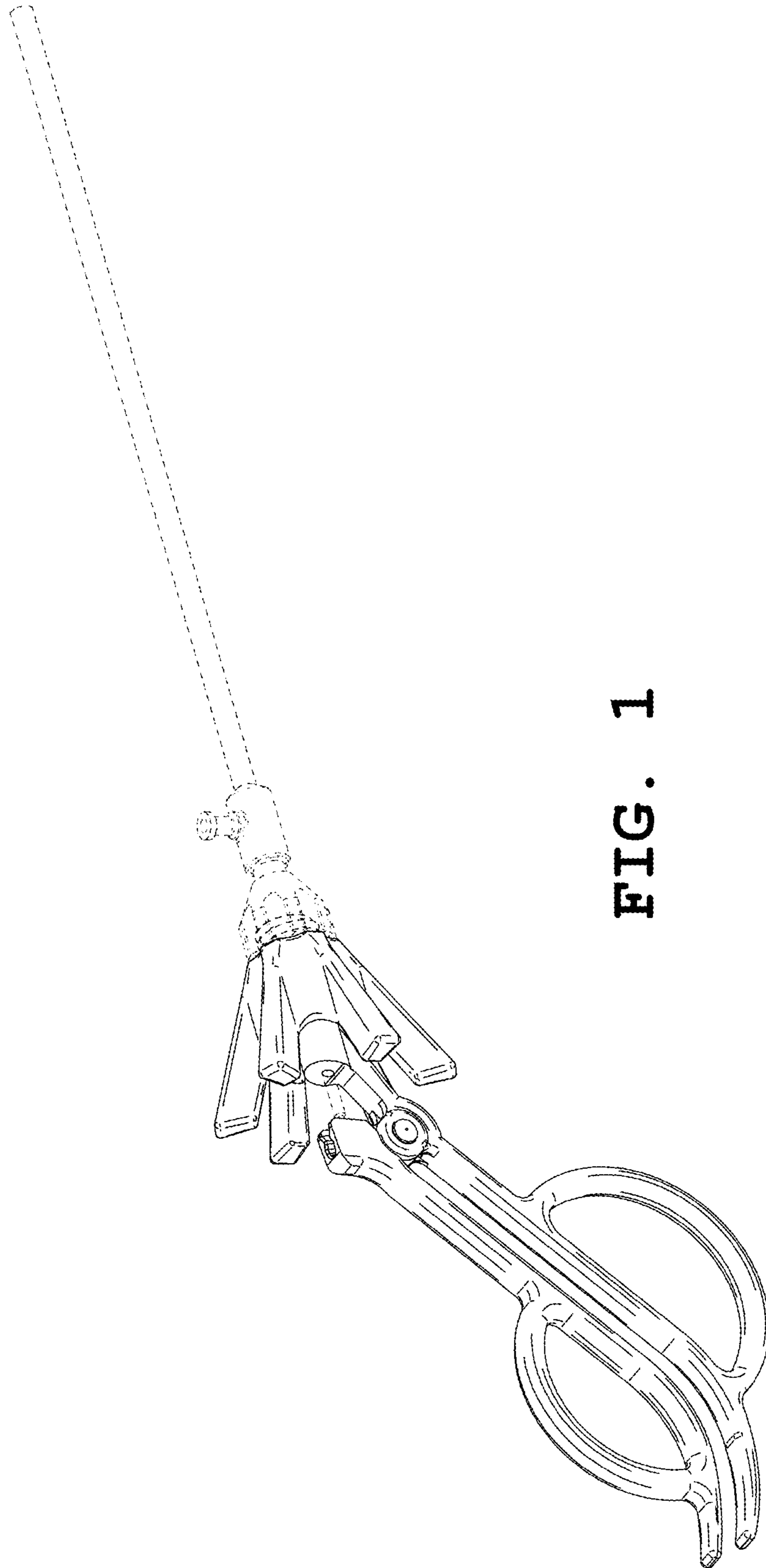


FIG. 1

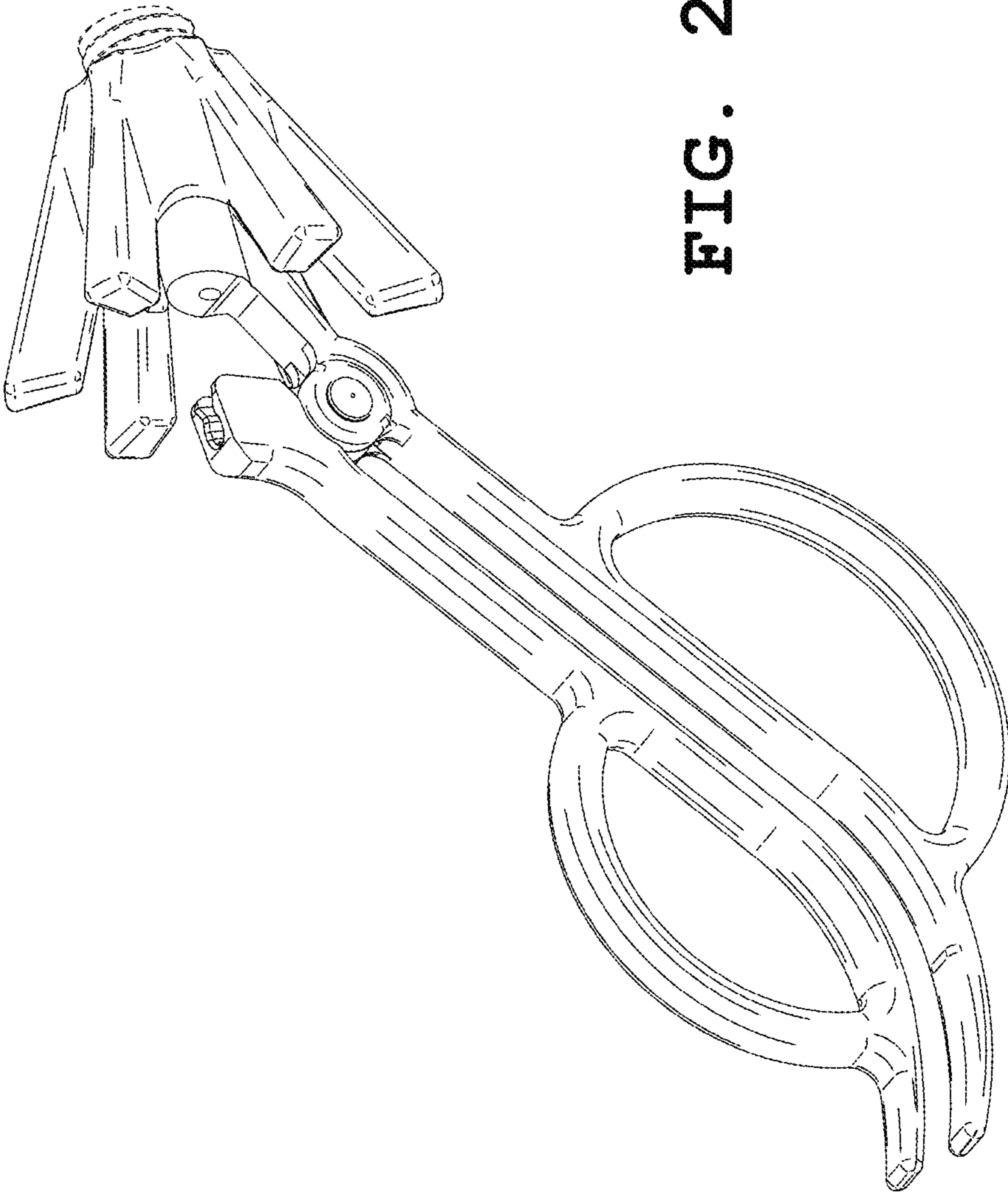


FIG. 2

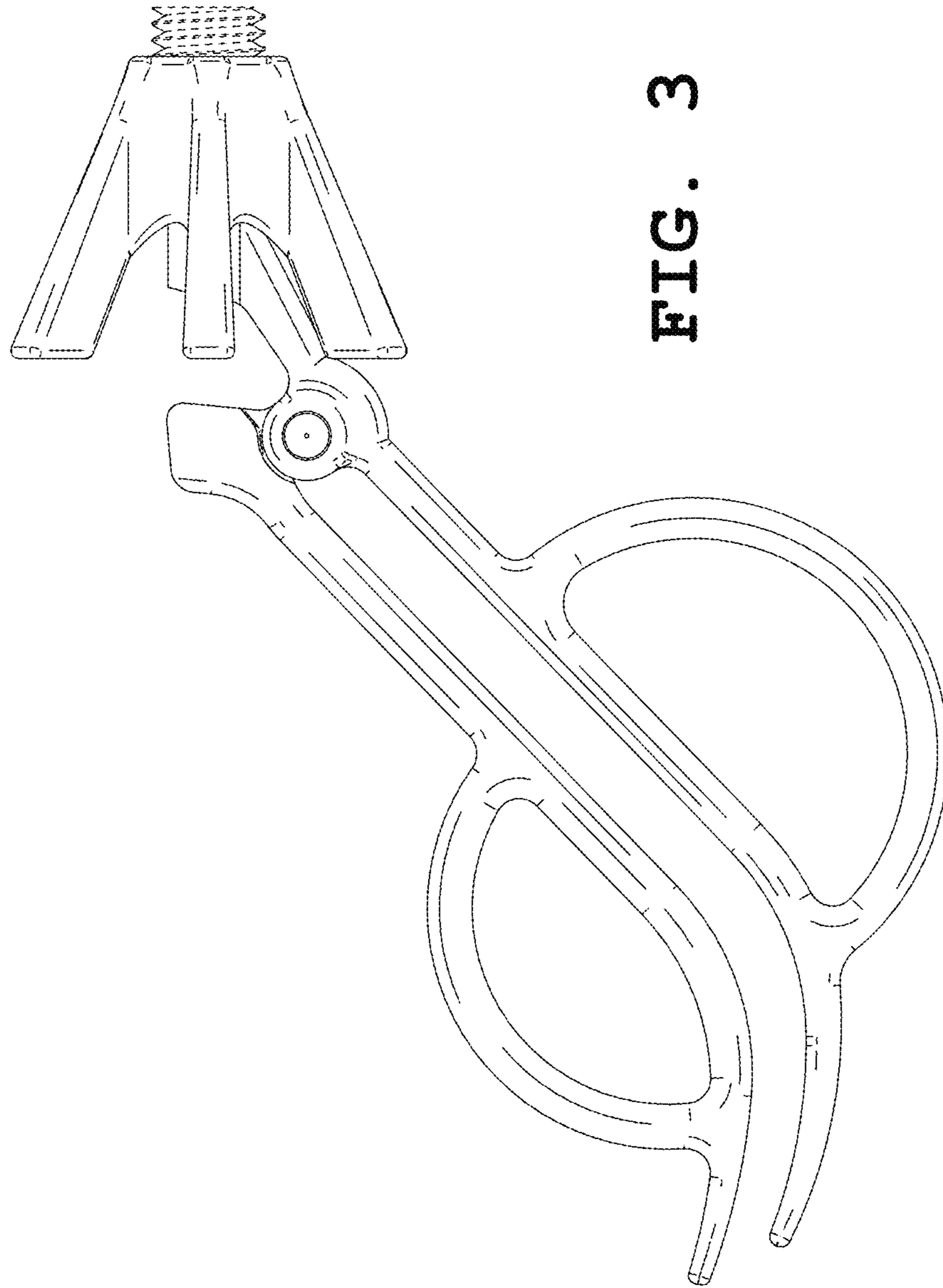


FIG. 3

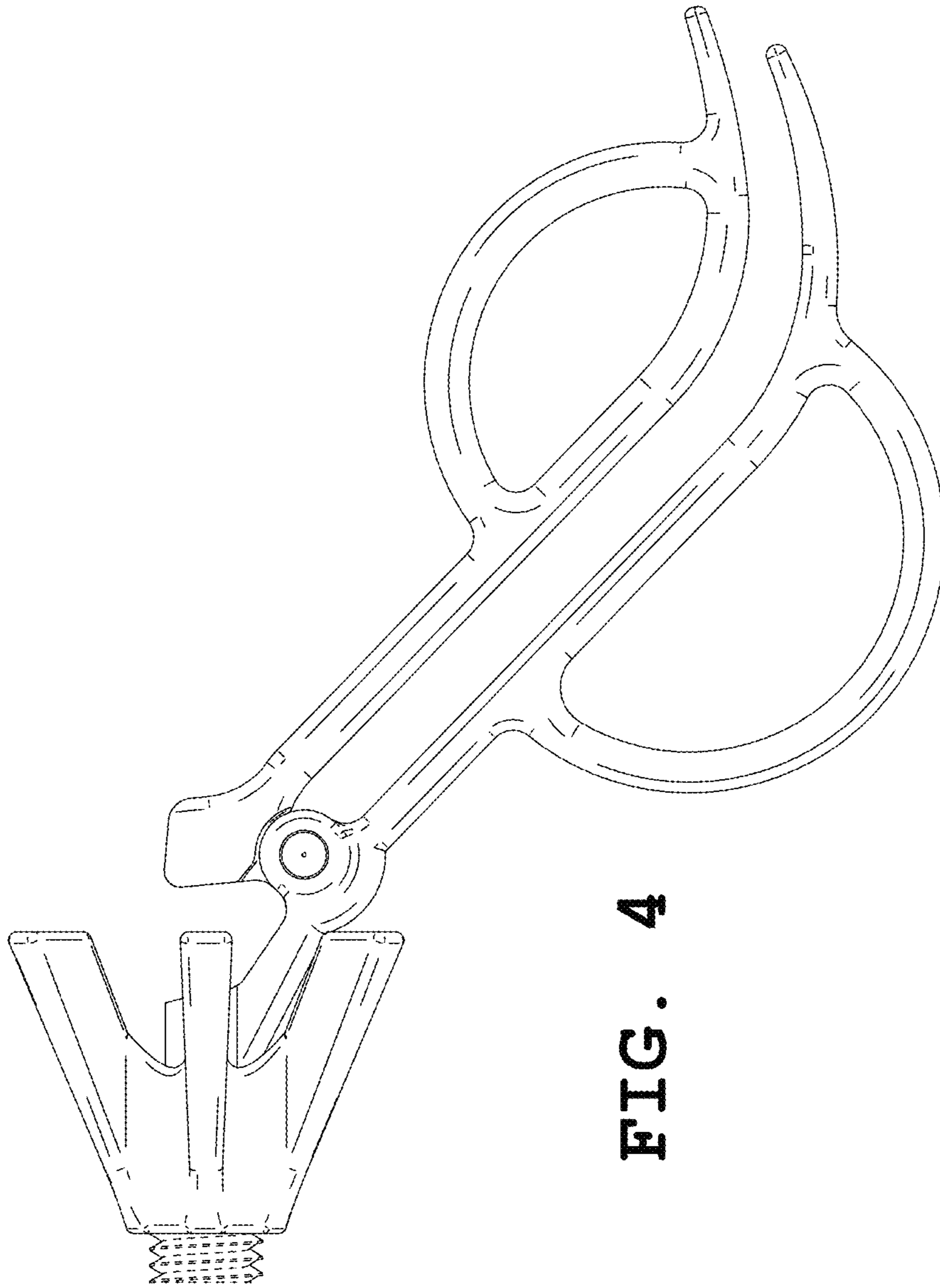


FIG. 4

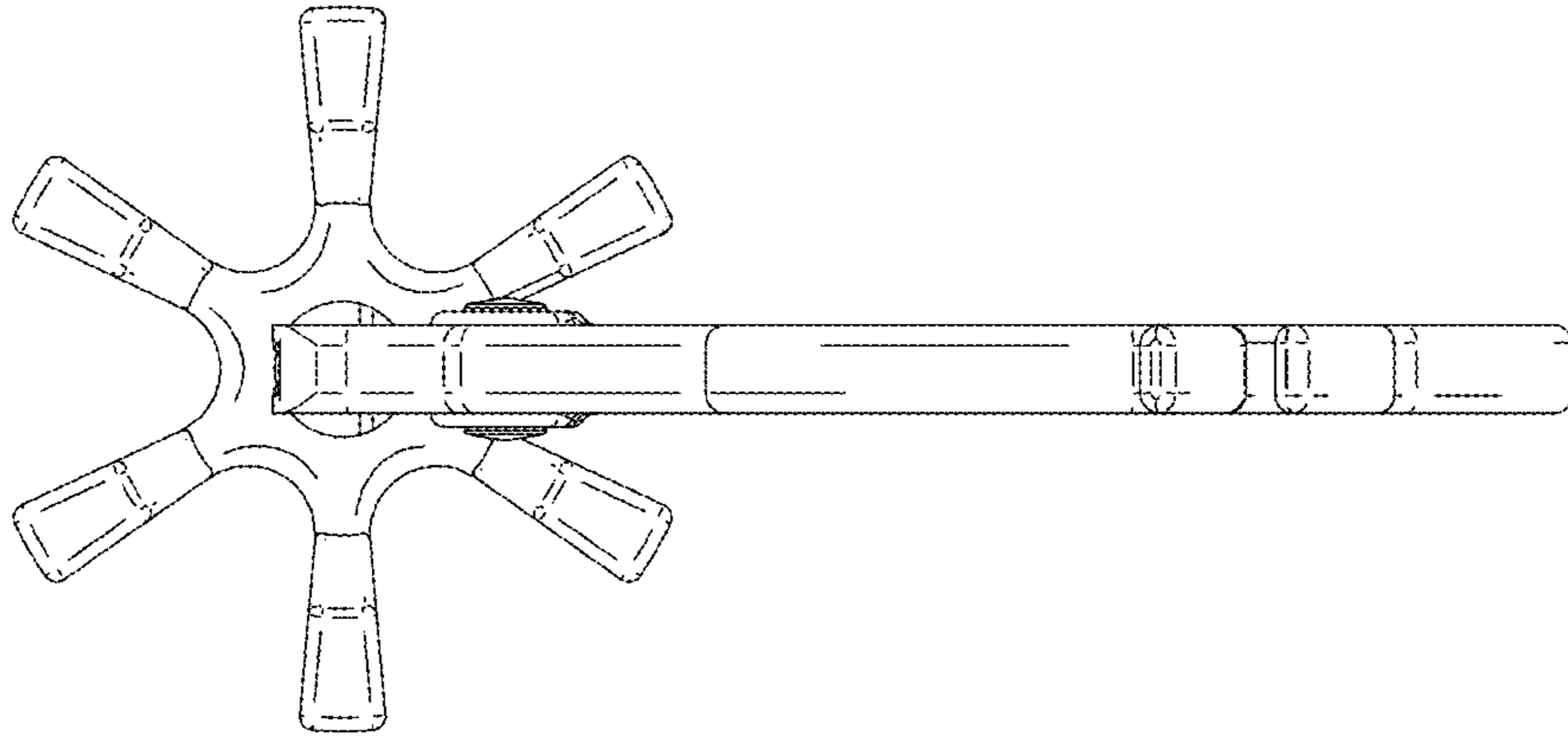


FIG. 6

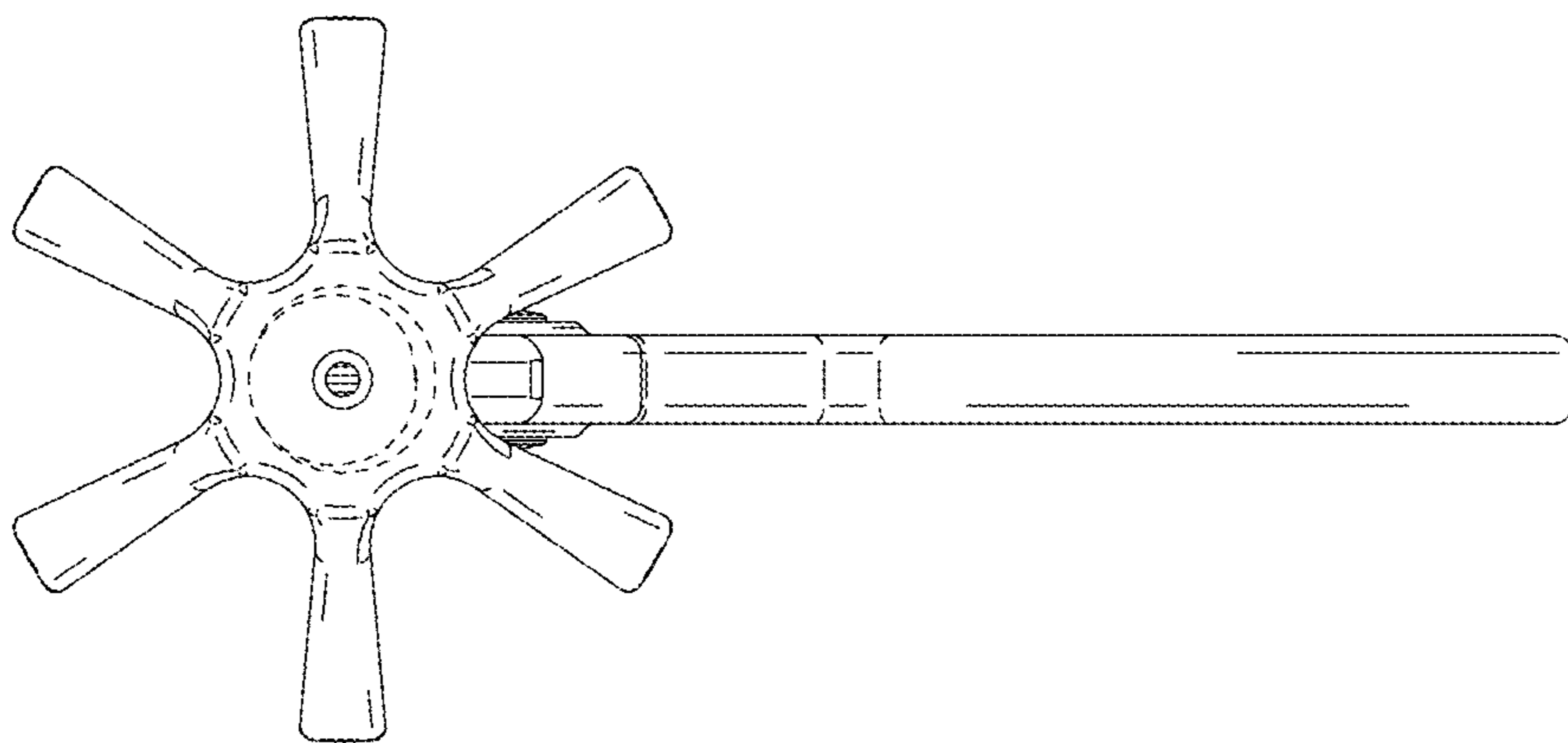


FIG. 5

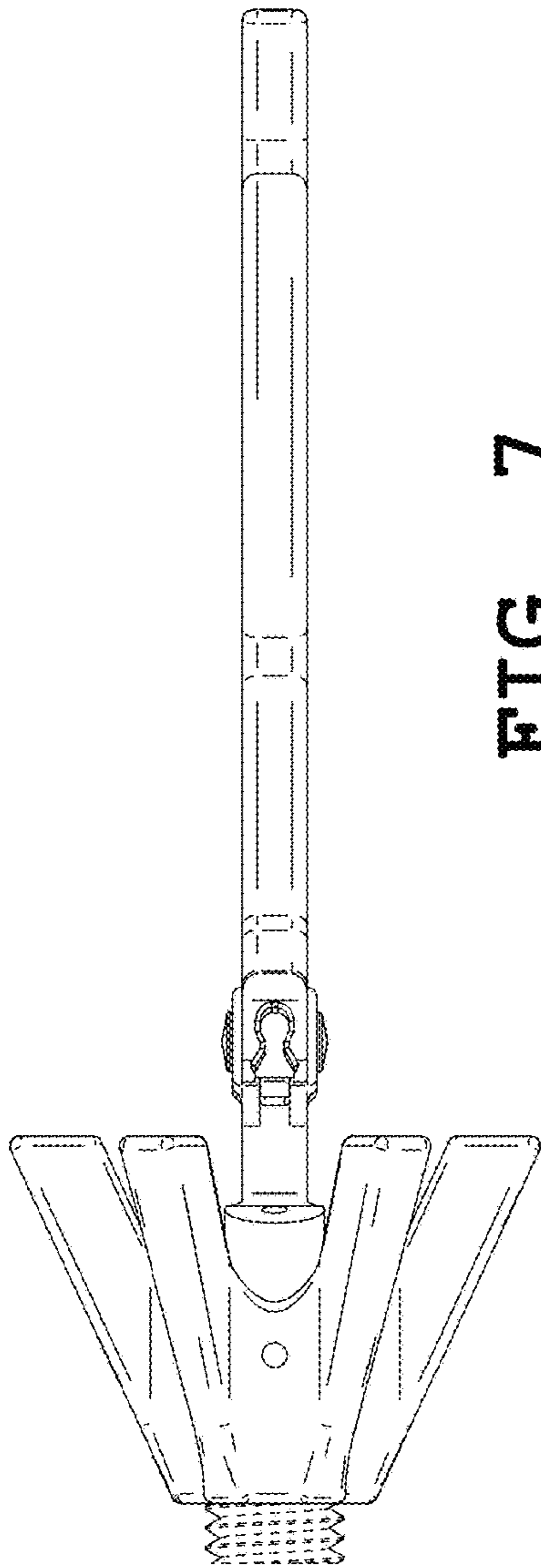


FIG. 7

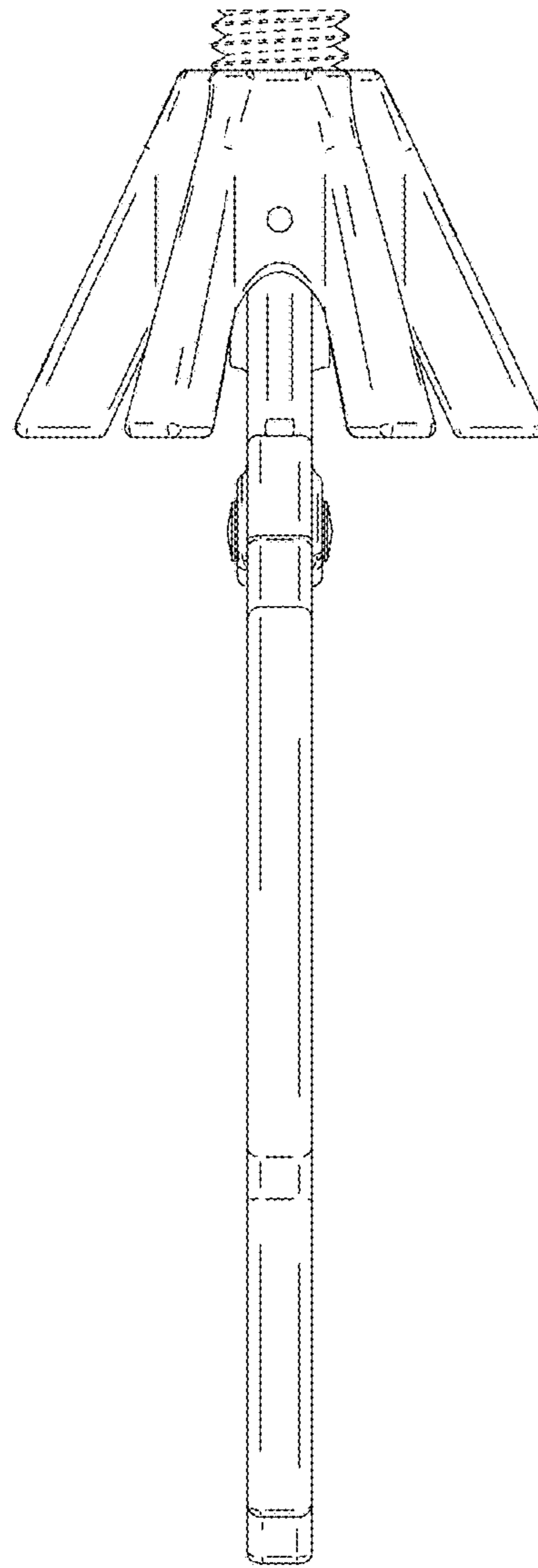


FIG. 8