



US00D796041S

(12) **United States Design Patent** (10) **Patent No.:** **US D796,041 S**
Preis (45) **Date of Patent:** **** Aug. 29, 2017**

(54) **OPTICAL FORCEPS**
(71) Applicant: **KARL STORZ GmbH & Co. KG,**
Tuttlingen (DE)
(72) Inventor: **Fridolin Preis,** Immendingen (DE)
(73) Assignee: **KARL STORZ GmbH & Co. KG,**
Tuttlingen (DE)

D634,427 S * 3/2011 Nishimura D24/148
D648,434 S * 11/2011 Uyama D24/143
9,451,937 B2 * 9/2016 Parihar A61B 17/00234
D788,919 S * 6/2017 Lautemann D24/143
2009/0259248 A1 * 10/2009 Ganter A61B 17/29
606/205
2010/0023050 A1 * 1/2010 Reinauer A61B 17/29
606/207
2016/0157701 A1 6/2016 Preis

(**) Term: **15 Years**
(21) Appl. No.: **29/573,171**
(22) Filed: **Aug. 3, 2016**

FOREIGN PATENT DOCUMENTS

EM 001781360-0018 11/2010

* cited by examiner

Primary Examiner — Wan Laymon

(74) *Attorney, Agent, or Firm* — Muncy, Geissler, Olds & Lowe, P.C.

(30) **Foreign Application Priority Data**

Feb. 3, 2016 (EM) 002970236-0002

(51) **LOC (10) Cl.** **24-02**

(52) **U.S. Cl.**
USPC **D24/143**

(58) **Field of Classification Search**
USPC D24/133, 138, 143-148, 137; D8/51, 57,
D8/107

CPC A61B 1/00013; A61B 1/00096; A61B
1/00087; A61B 17/00234; A61B 17/28;
A61B 17/29; A61B 17/2808; A61B
17/282; A61B 17/122; A61B 17/1285;
A61B 17/32; A61B 18/1445; A61B
18/1442; A61B 10/02; A61B 10/04; A61B
10/06

See application file for complete search history.

(57) **CLAIM**

The ornamental design for a optical forceps, as shown and described.

DESCRIPTION

FIG. 1 is a front perspective view of a optical forceps according to the present invention.

FIG. 2 is a front view of the optical forceps of FIG. 1.

FIG. 3 is a rear view of the optical forceps of FIG. 1.

FIG. 4 is a left side view of the optical forceps of FIG. 1.

FIG. 5 is a right side view of the optical forceps of FIG. 1.

FIG. 6 is a top view of the optical forceps of FIG. 1; and,

FIG. 7 is a bottom view of the optical forceps of FIG. 1.

The dashed lines illustrate environment that does not form a part of the present invention, and no claim is made to the material illustrated with dashed lines.

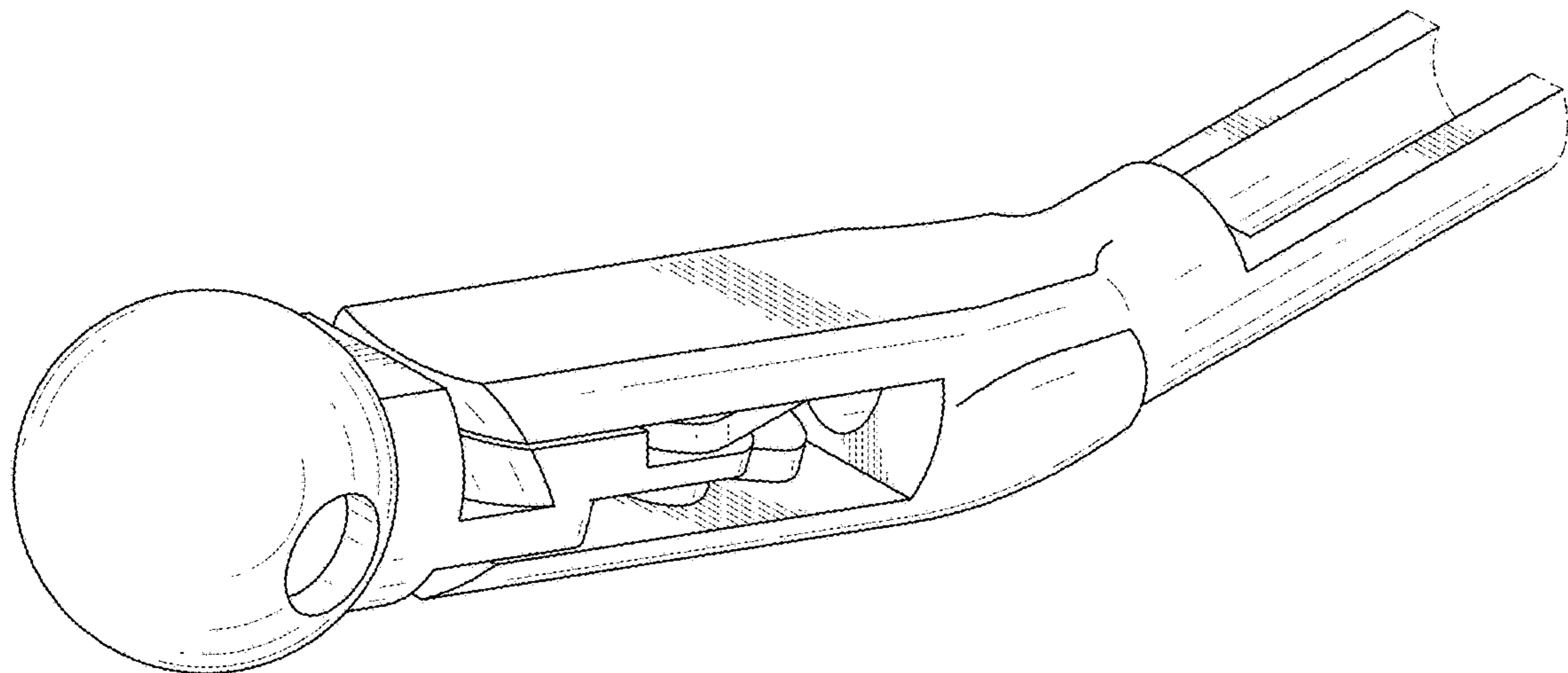
(56) **References Cited**

U.S. PATENT DOCUMENTS

4,669,471 A * 6/1987 Hayashi A61B 10/02
228/139

5,593,402 A * 1/1997 Patrick A61B 17/29
604/902

1 Claim, 7 Drawing Sheets



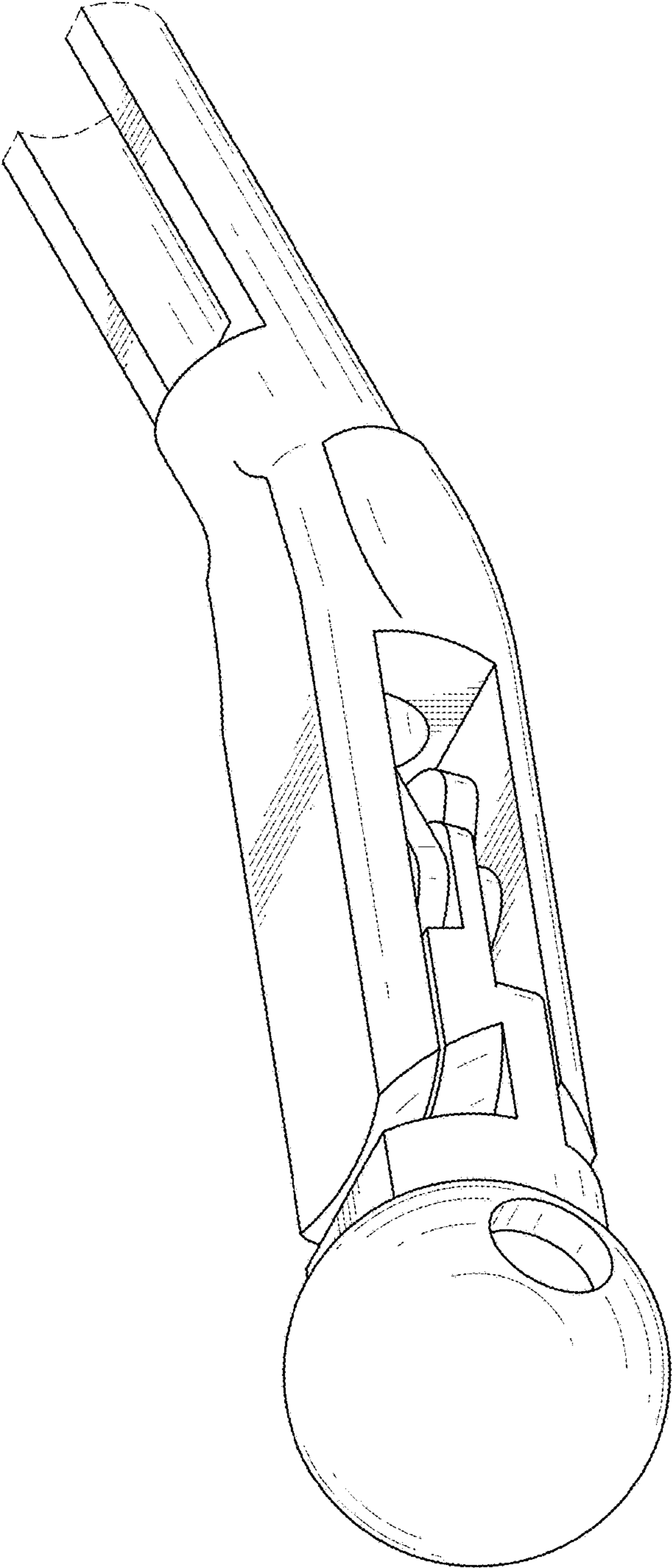


FIG.1

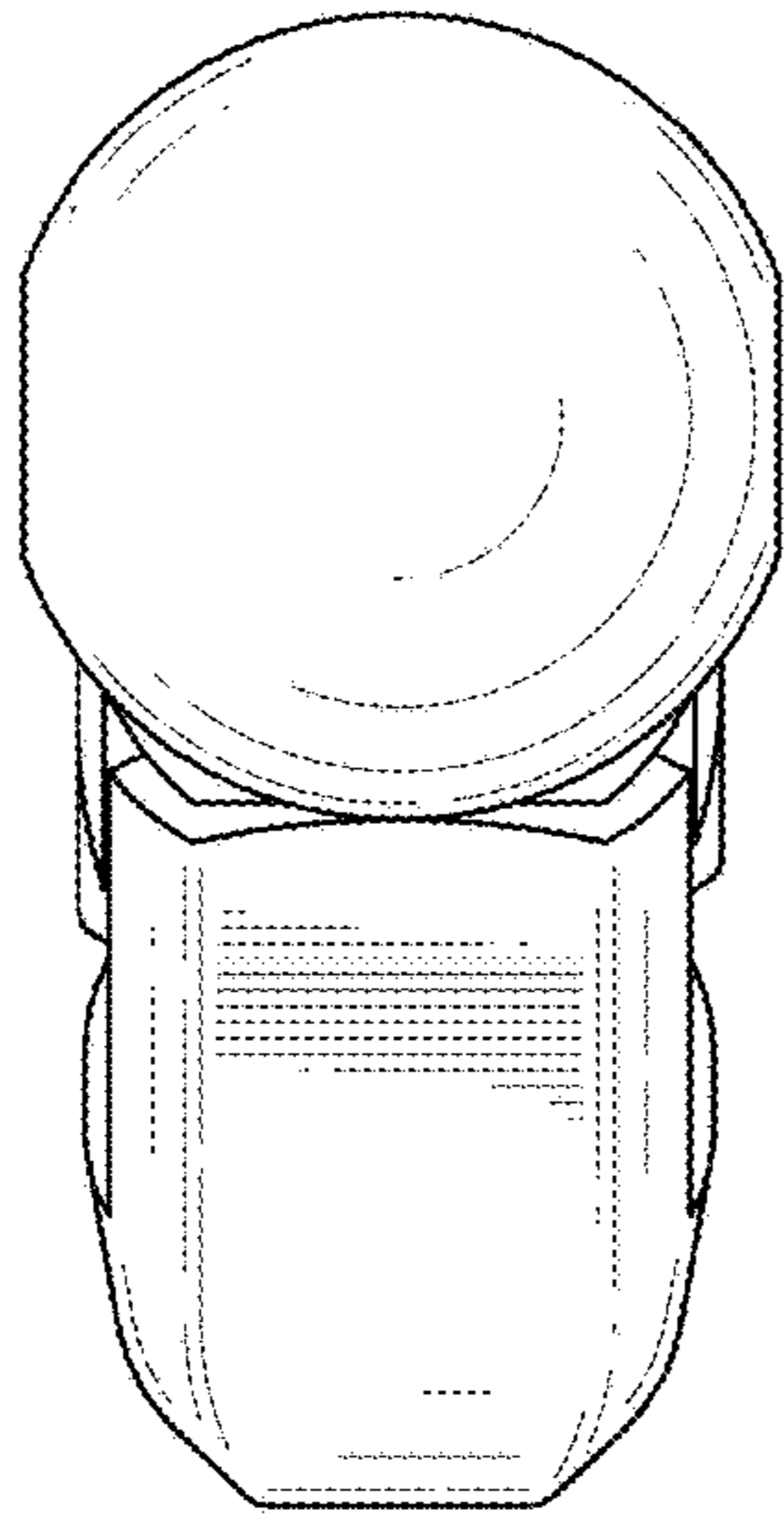


FIG.2

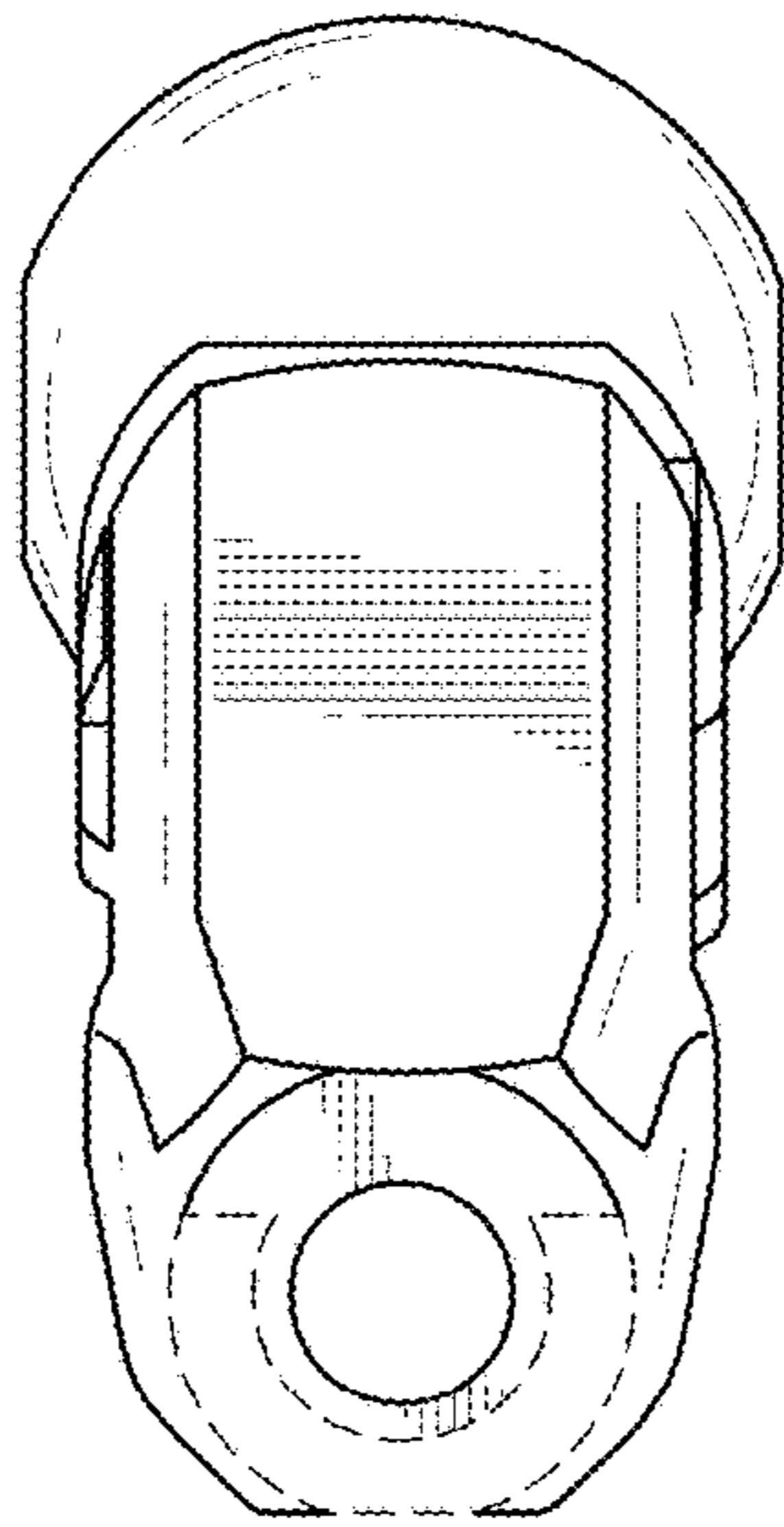


FIG.3

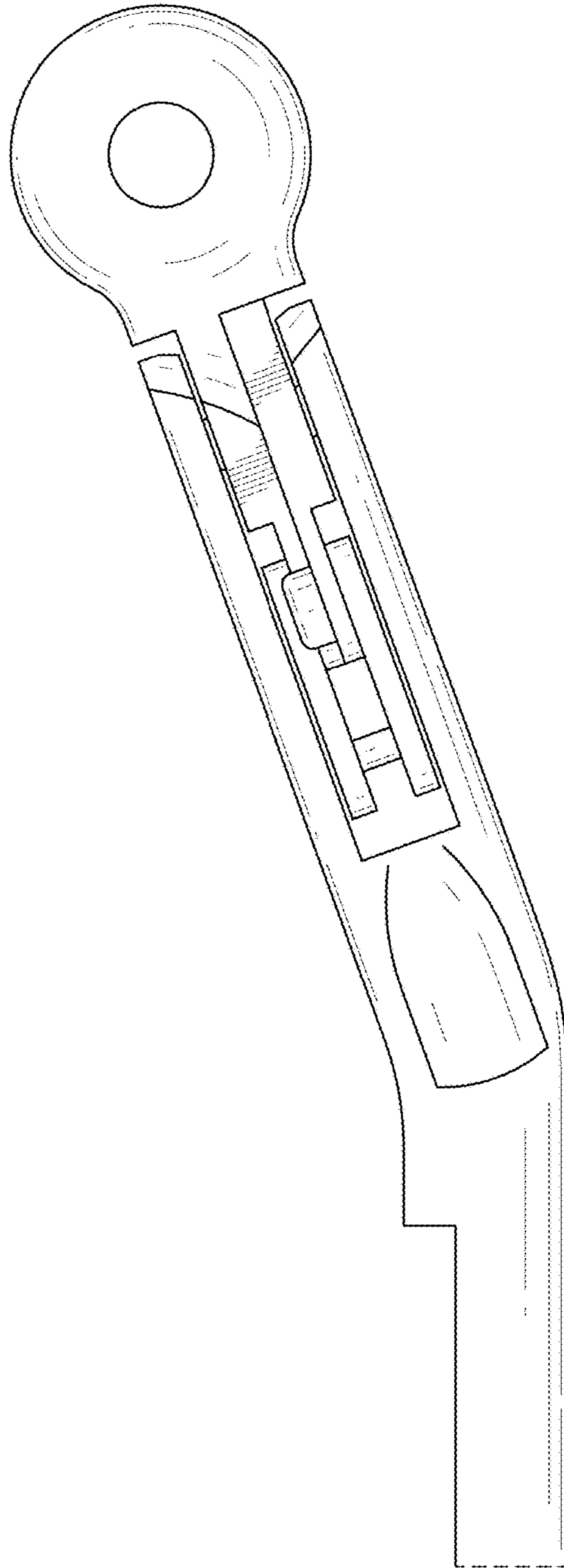


FIG.4

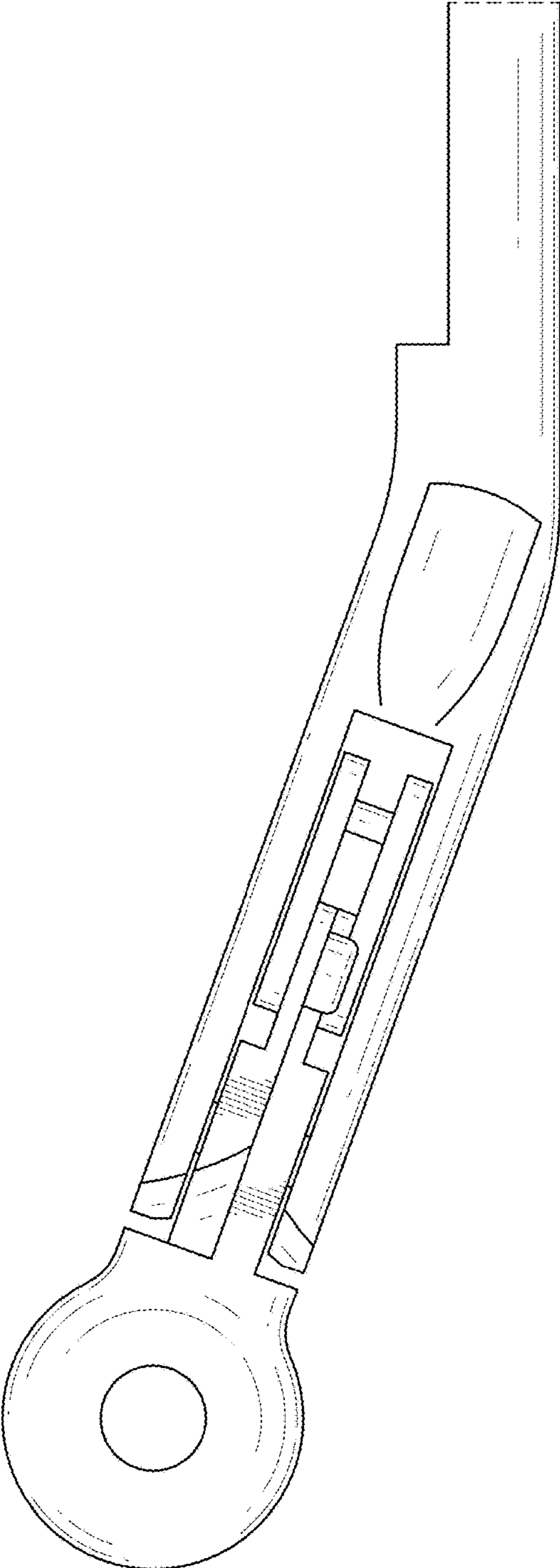


FIG.5

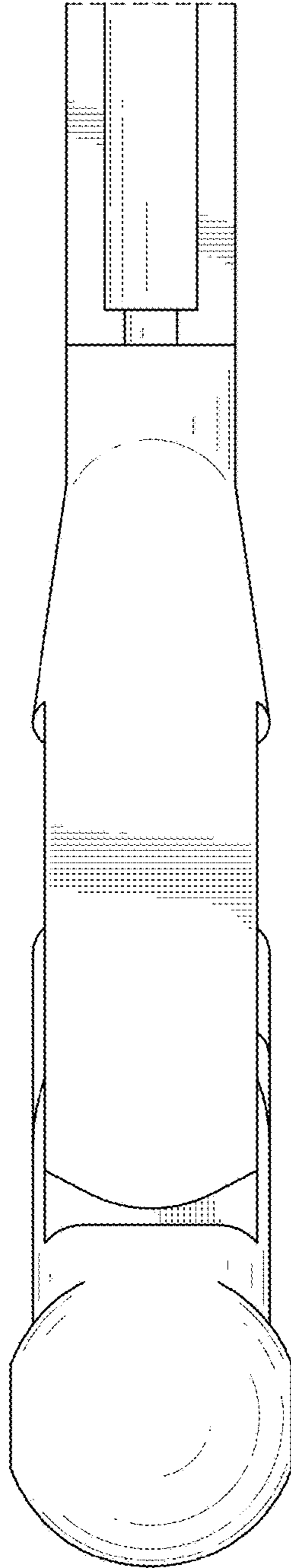


FIG.6

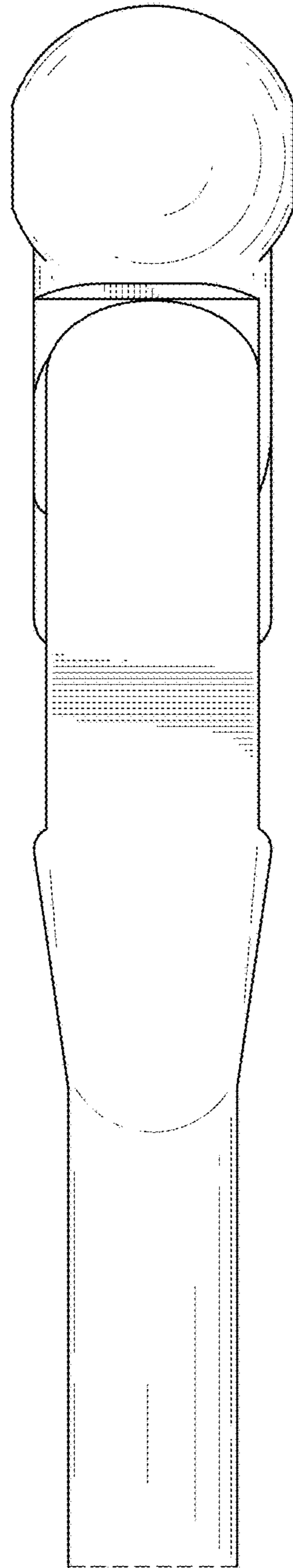


FIG.7