

US00D796040S

(12) **United States Design Patent** (10) **Patent No.:** **US D796,040 S**  
**Preis** (45) **Date of Patent:** **\*\* Aug. 29, 2017**

(54) **OPTICAL FORCEPS**  
(71) Applicant: **KARL STORZ GmbH & Co. KG,**  
Tuttlingen (DE)  
(72) Inventor: **Fridolin Preis,** Immendingen (DE)  
(73) Assignee: **KARL STORZ GmbH & Co. KG,**  
Tuttlingen (DE)

D634,427 S \* 3/2011 Nishimura ..... D24/148  
D648,434 S \* 11/2011 Uyama ..... D24/143  
9,451,937 B2 \* 9/2016 Parihar ..... A61B 17/00234  
D788,919 S \* 6/2017 Lautemann ..... D24/143  
2009/0259248 A1 \* 10/2009 Ganter ..... A61B 17/29  
606/205  
2010/0023050 A1 \* 1/2010 Reinauer ..... A61B 17/29  
606/207  
2016/0157701 A1 6/2016 Preis

(\*\*) Term: **15 Years**  
(21) Appl. No.: **29/573,168**  
(22) Filed: **Aug. 3, 2016**

**FOREIGN PATENT DOCUMENTS**

EM 001781360-0018 11/2010

\* cited by examiner

*Primary Examiner* — Wan Laymon

(74) *Attorney, Agent, or Firm* — Muncy, Geissler, Olds & Lowe, P.C.

(30) **Foreign Application Priority Data**

Feb. 3, 2016 (EM) ..... 002970236-0004

(51) **LOC (10) Cl.** ..... **24-02**

(52) **U.S. Cl.**  
USPC ..... **D24/143**

(58) **Field of Classification Search**  
USPC .... D24/133, 138, 143-148, 137; D8/51, 57,  
D8/107

CPC ..... A61B 1/00013; A61B 1/00096; A61B  
1/00087; A61B 17/00234; A61B 17/28;  
A61B 17/29; A61B 17/2808; A61B  
17/282; A61B 17/122; A61B 17/1285;  
A61B 17/32; A61B 18/1445; A61B  
18/1442; A61B 10/02; A61B 10/04; A61B  
10/06

See application file for complete search history.

(57) **CLAIM**

The ornamental design for optical forceps, as shown and described.

**DESCRIPTION**

FIG. 1 is a front perspective view of a optical forceps according to the present invention.

FIG. 2 is a front view of the optical forceps of FIG. 1.

FIG. 3 is a rear view of the optical forceps of FIG. 1.

FIG. 4 is a left side view of the optical forceps of FIG. 1.

FIG. 5 is a right side view of the optical forceps of FIG. 1.

FIG. 6 is a top view of the optical forceps of FIG. 1; and,

FIG. 7 is a bottom view of the optical forceps of FIG. 1.

The dashed lines illustrate environment that does not form a part of the present invention, and no claim is made to the material illustrated with dashed lines.

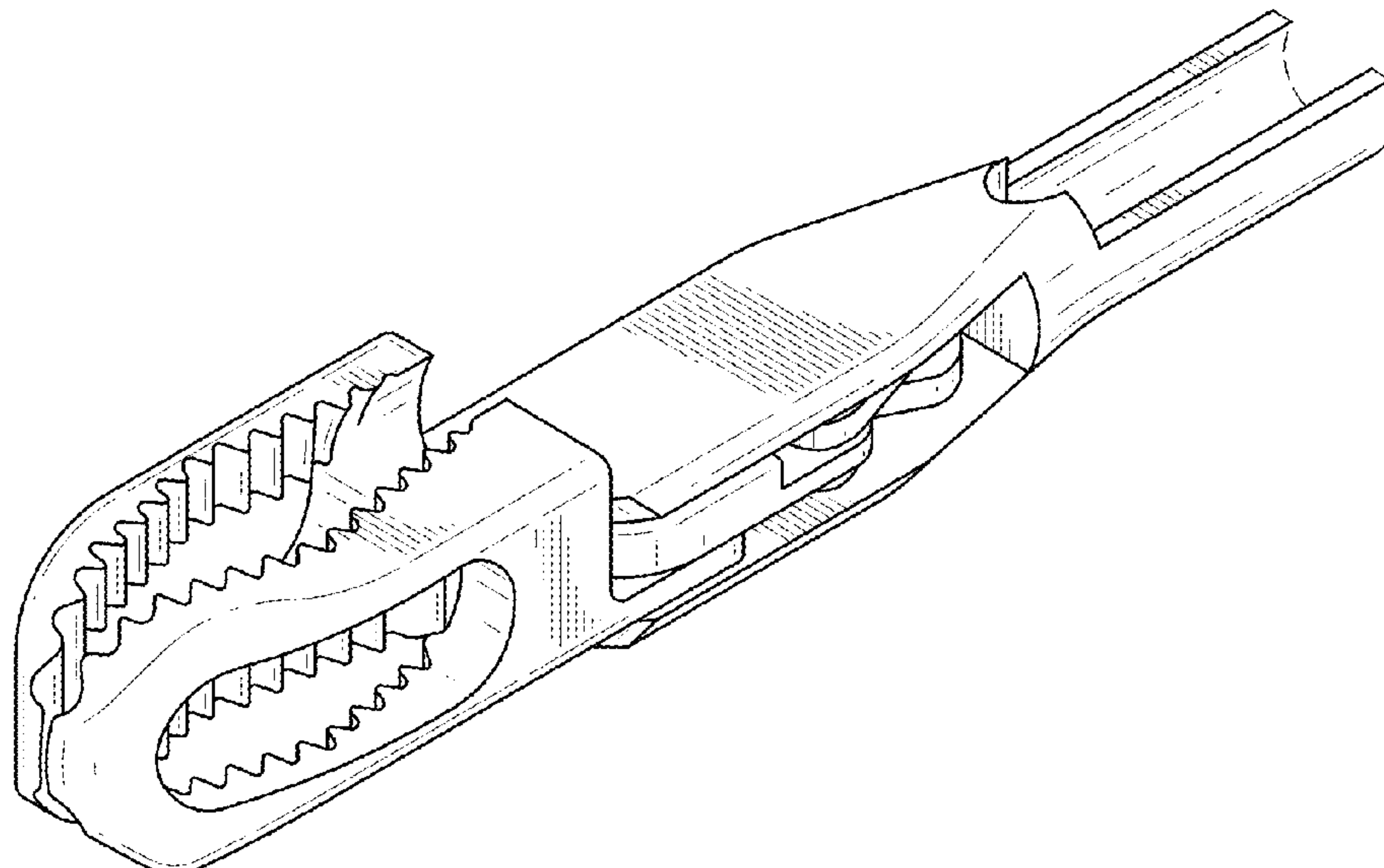
(56) **References Cited**

**U.S. PATENT DOCUMENTS**

4,669,471 A \* 6/1987 Hayashi ..... A61B 10/02  
228/139

5,593,402 A \* 1/1997 Patrick ..... A61B 17/29  
604/902

**1 Claim, 6 Drawing Sheets**



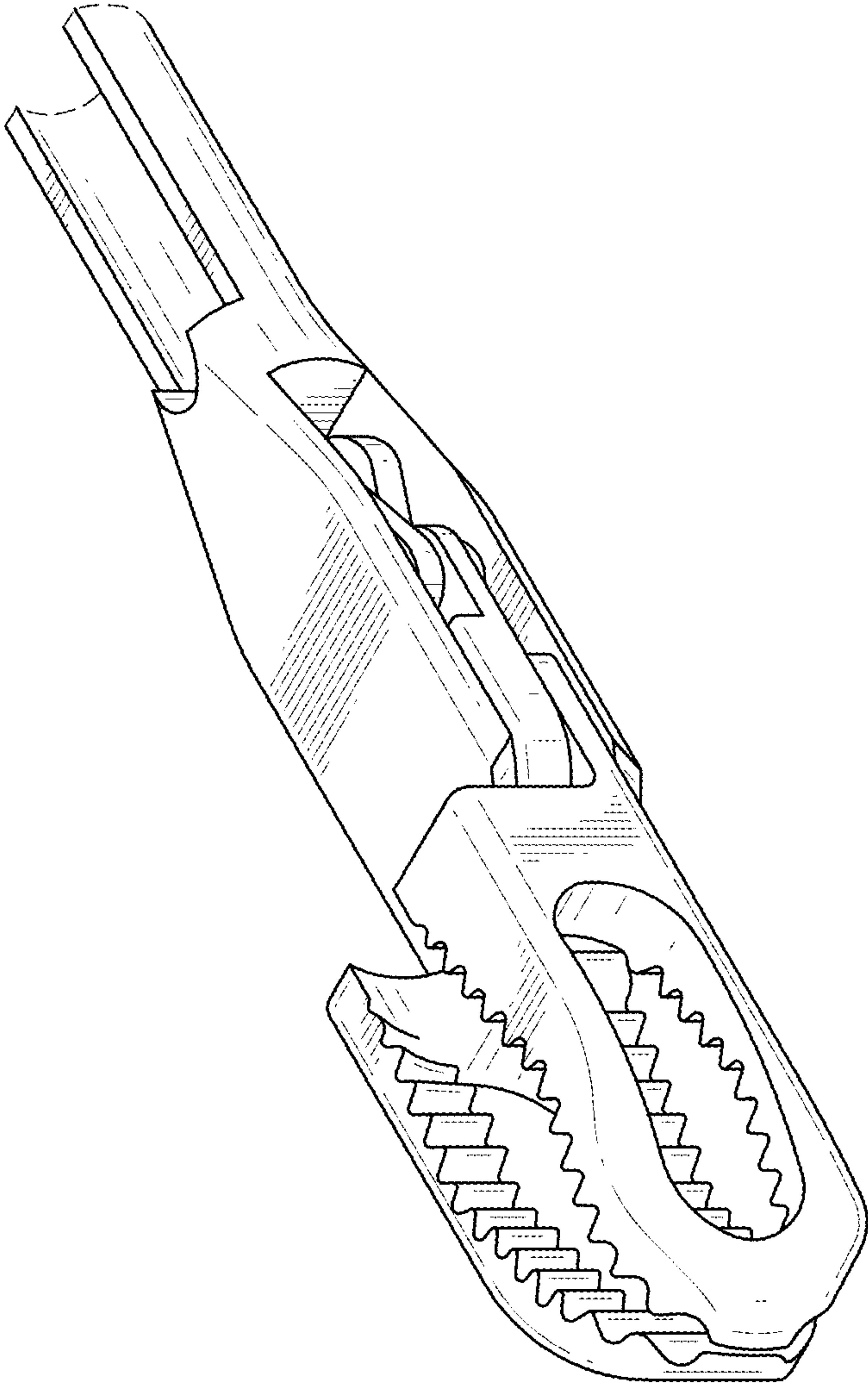


FIG.1

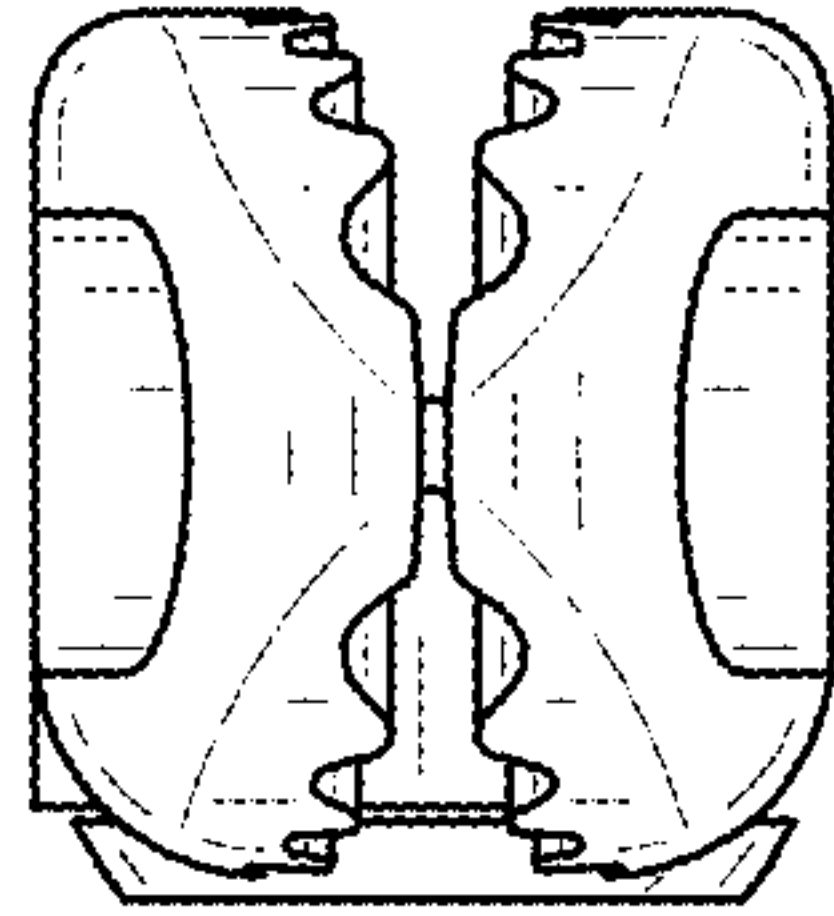


FIG. 2

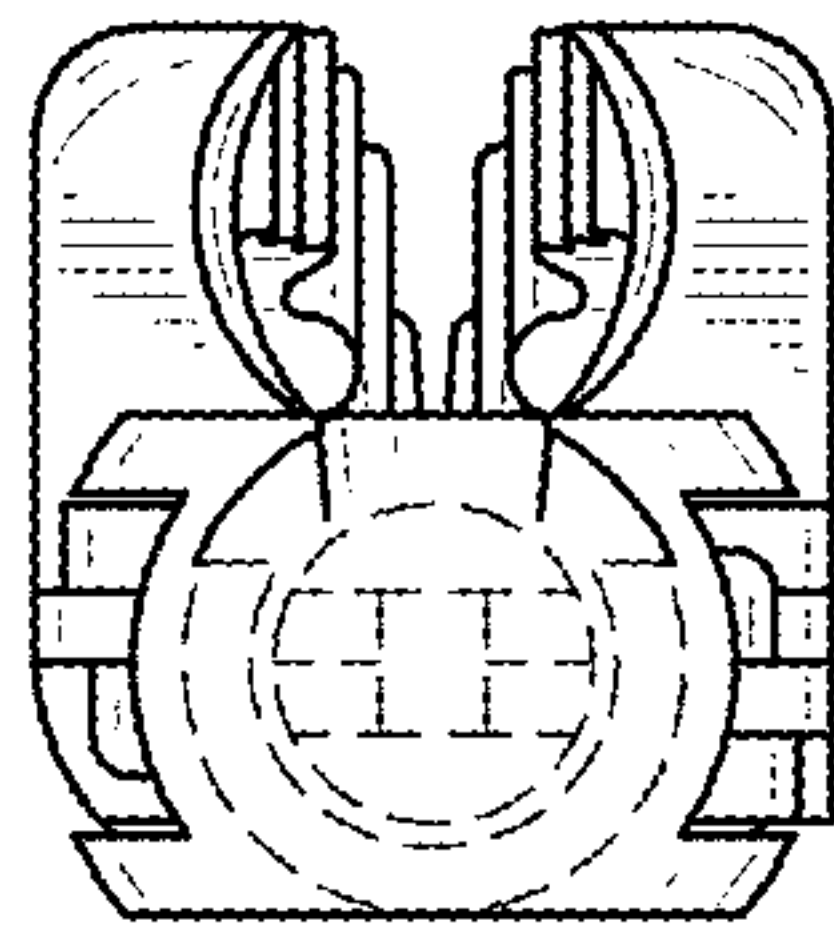


FIG. 3

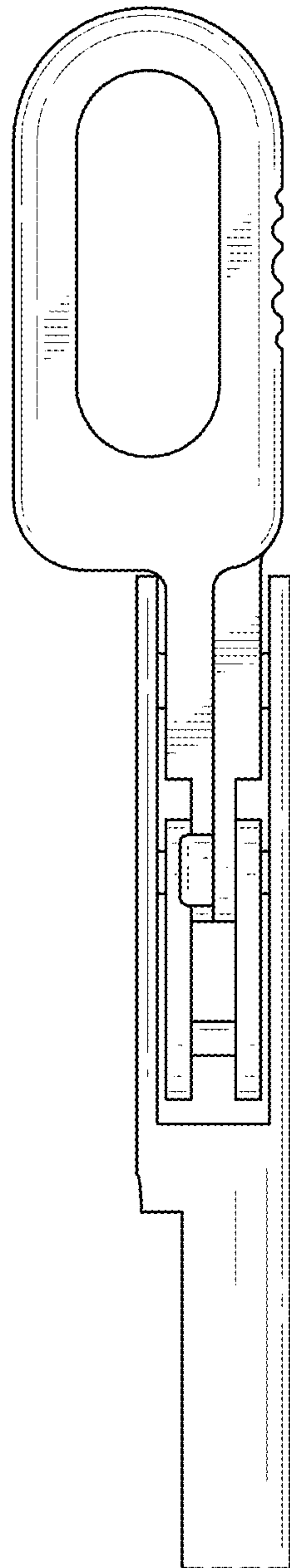


FIG.4

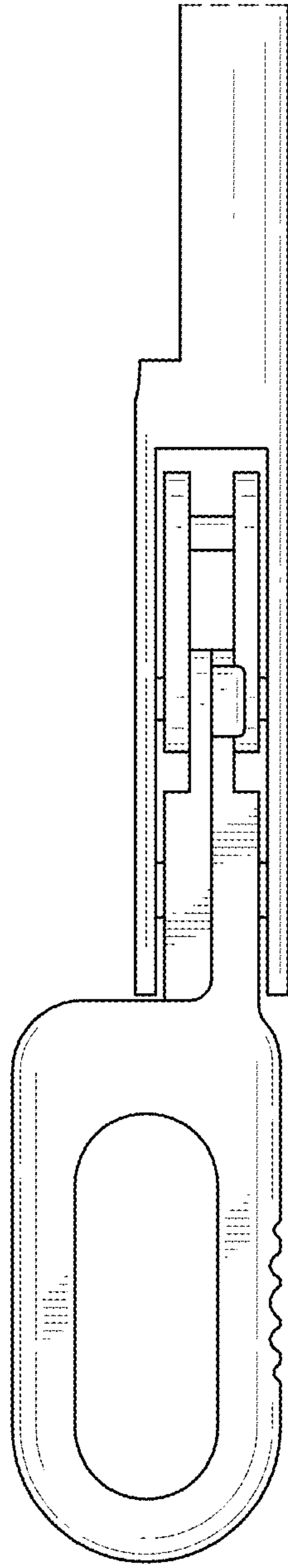


FIG.5

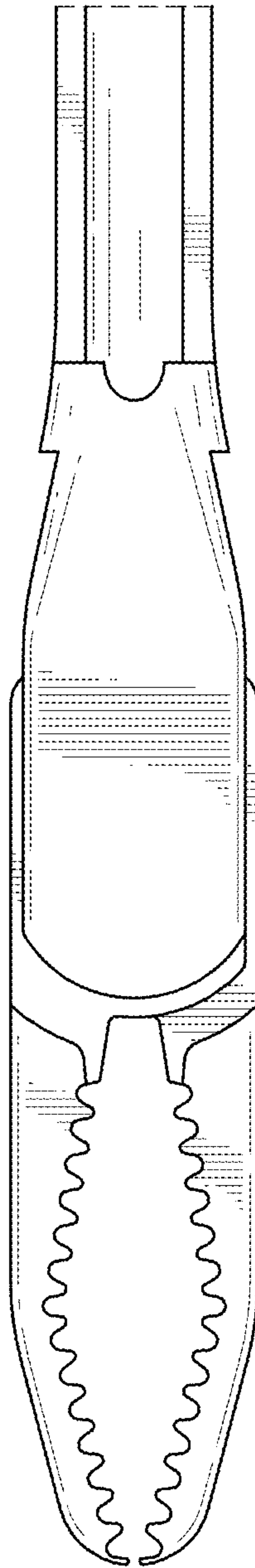


FIG.6

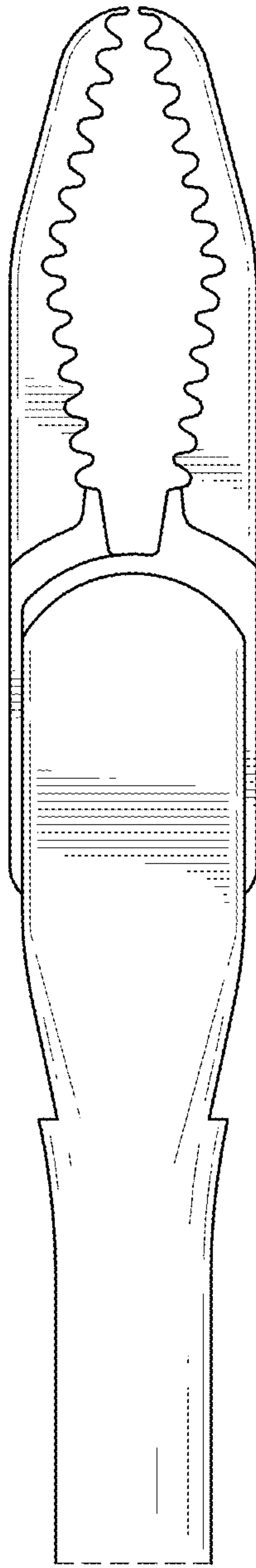


FIG.7