



US00D796039S

(12) **United States Design Patent**
McMillan et al.

(10) **Patent No.:** **US D796,039 S**
(45) **Date of Patent:** **** Aug. 29, 2017**

(54) **MEDICAL PIN PULLER**
(71) Applicant: **Enztec Limited**, Christchurch (NZ)
(72) Inventors: **Iain Alexander McMillan**,
Christchurch (NZ); **Simon John**
Faichen Davis, Christchurch (NZ)
(73) Assignee: **ENZTEC LIMITED**, Christchurch
(NZ)

1,436,589 A * 11/1922 Hopkins B25B 27/08
29/248
1,476,695 A * 12/1923 De Graff B25B 27/08
29/248
1,576,782 A * 3/1926 Pieh B25B 27/08
29/248
7,189,243 B1 3/2007 Seelig et al.
D768,855 S * 10/2016 McMillan D24/133
2010/0234851 A1 9/2010 Graves et al.

(**) Term: **15 Years**
(21) Appl. No.: **29/540,626**
(22) Filed: **Sep. 25, 2015**

FOREIGN PATENT DOCUMENTS

WO 2014102541 A1 7/2014

* cited by examiner

Primary Examiner — Robert M Spear

(30) **Foreign Application Priority Data**

Mar. 26, 2015 (NZ) 420079
(51) **LOC (10) Cl.** **24-02**
(52) **U.S. Cl.**
USPC **D24/143**; D24/133
(58) **Field of Classification Search**
USPC D24/143, 145, 147, 133; D8/14, 16, 51,
D8/89
CPC Y10T 29/53813; Y10T 29/53943; B25C
11/02; A61B 17/92; Y10S 606/916
See application file for complete search history.

(57) **CLAIM**

The ornamental design for a medical pin puller, as shown and described.

DESCRIPTION

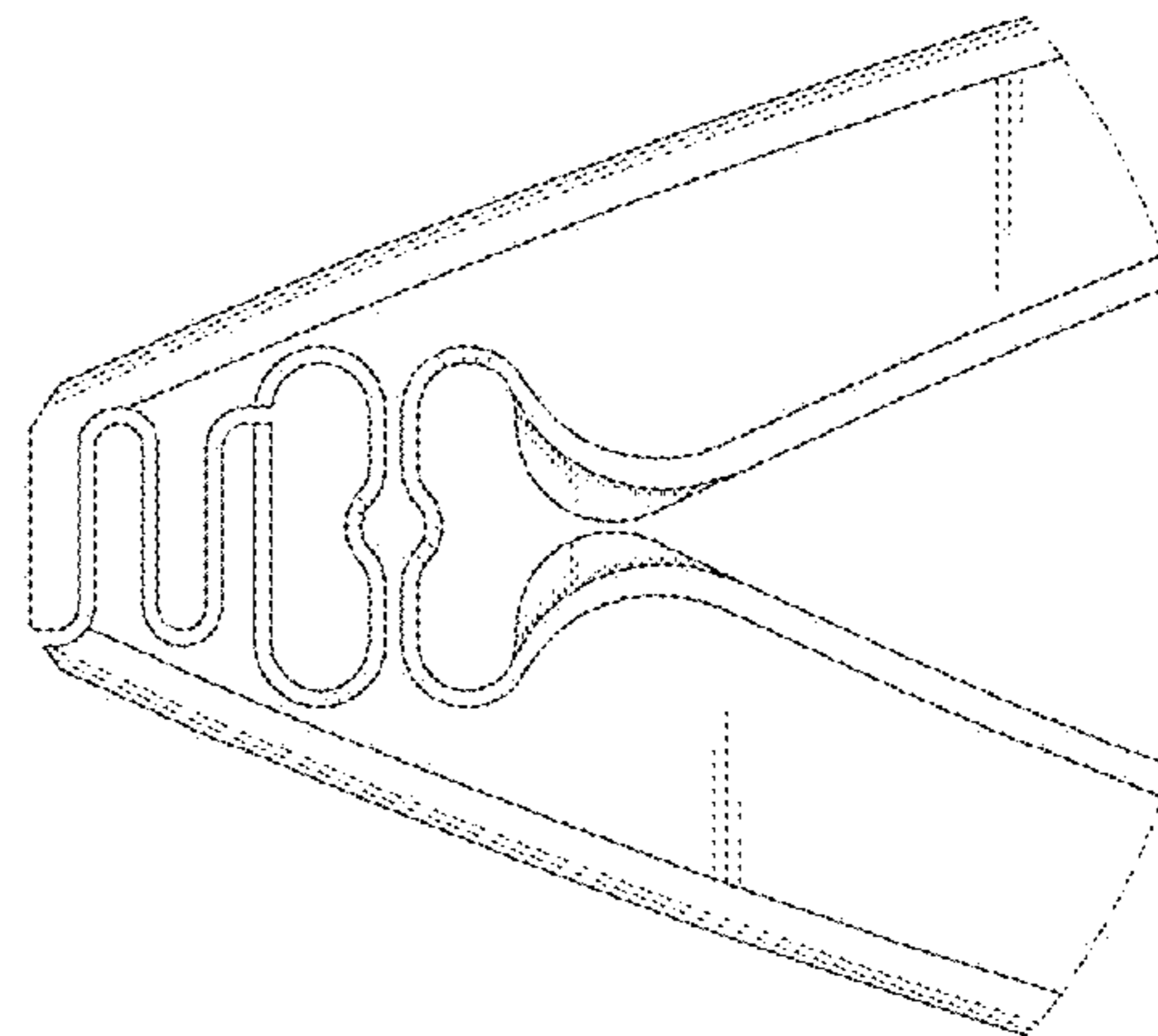
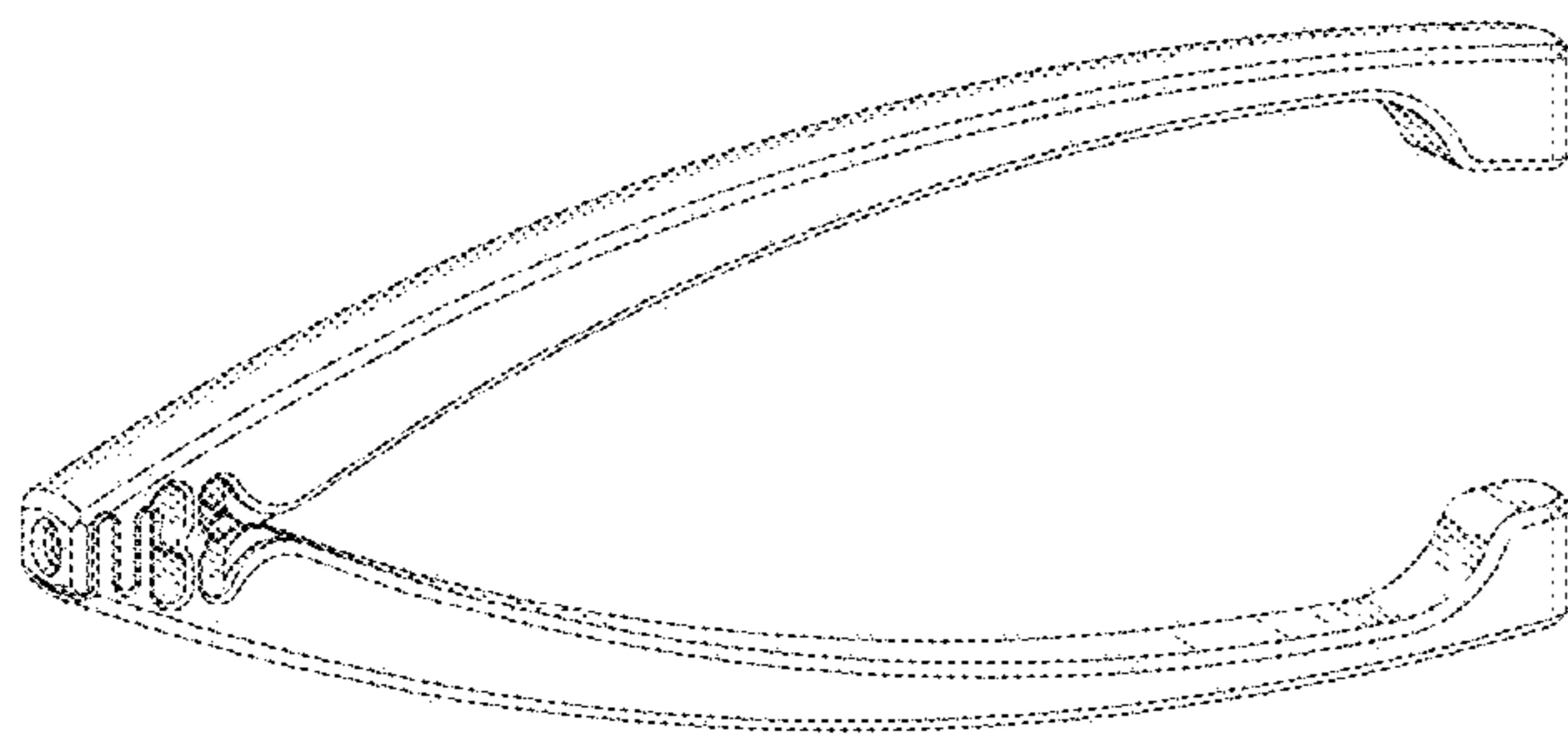
FIG. 1 is a perspective view of a medical pin puller.
FIG. 2 is a front elevation view thereof;
FIG. 3 is a top plan view thereof, which is a mirror image of the bottom elevation view;
FIG. 4 is an enlarged view of a portion of the top plan view of FIG. 3;
FIG. 5 is a right side elevation view of the medical pin puller, which is a mirror image of the left side elevation view thereof; and,
FIG. 6 is a rear elevation view thereof.

(56) **References Cited**

U.S. PATENT DOCUMENTS

1,338,043 A * 4/1920 Sandin B25B 7/02
254/28
1,422,201 A * 7/1922 Harter B25B 27/08
29/248

1 Claim, 6 Drawing Sheets



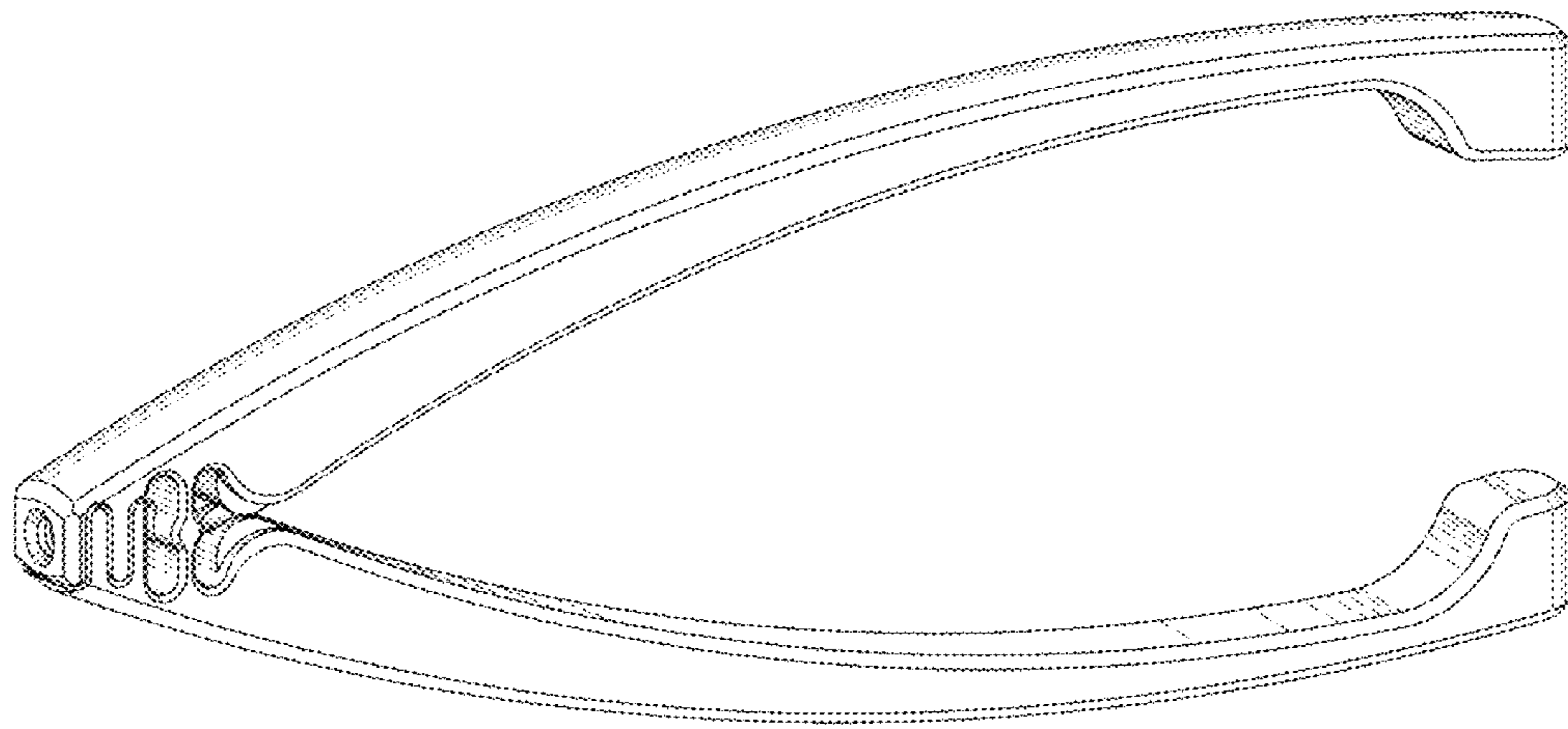


Fig. 1

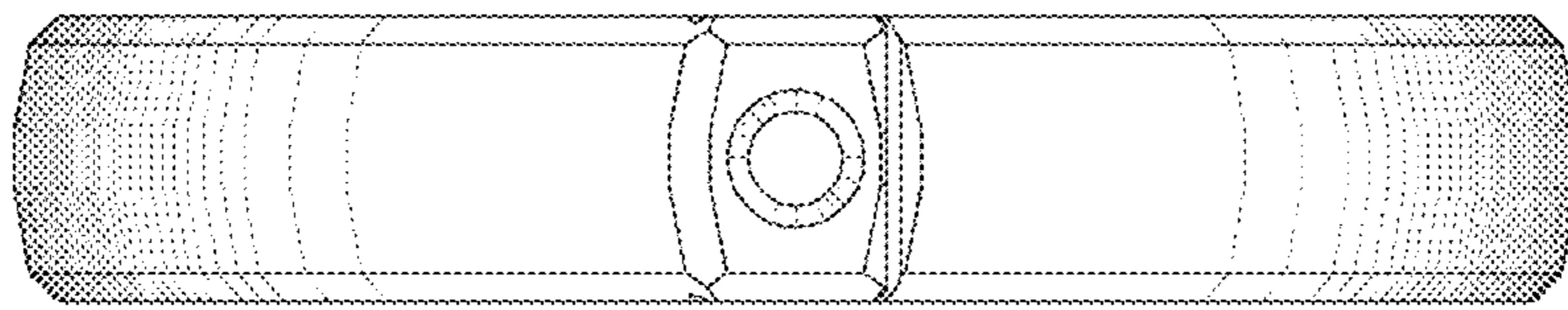


Fig. 2

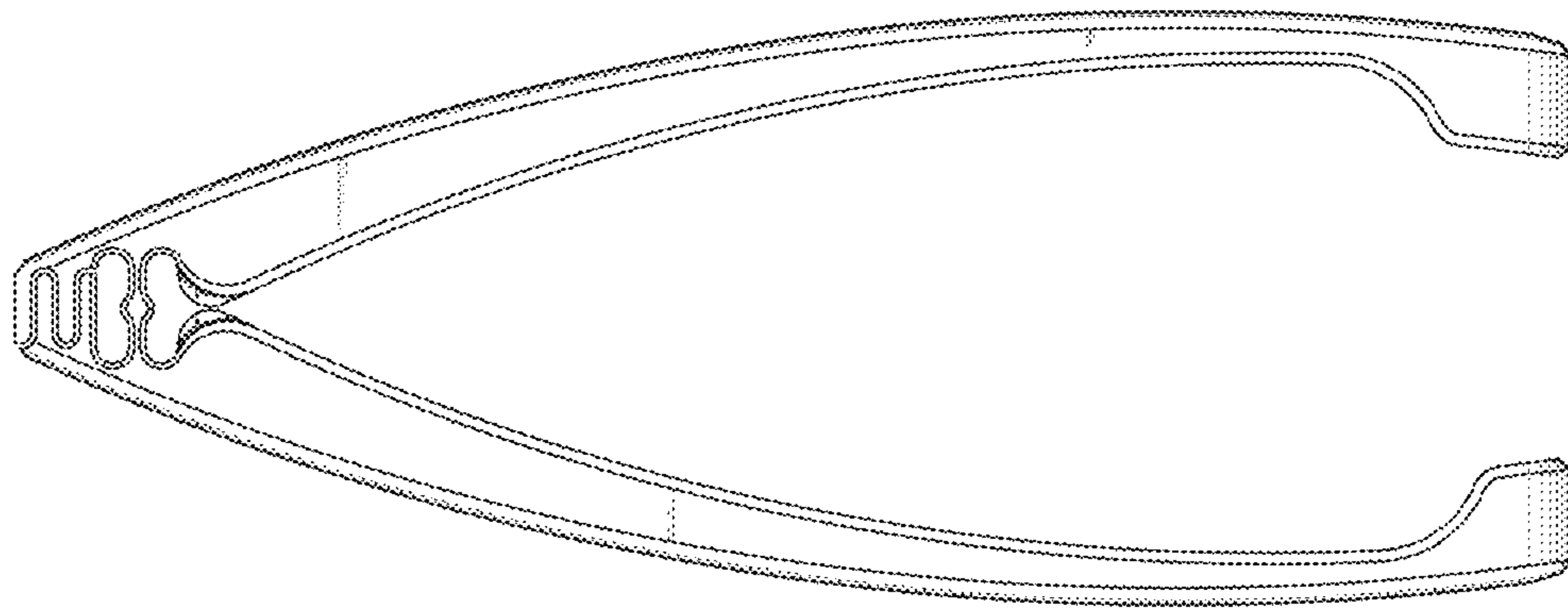


Fig. 3

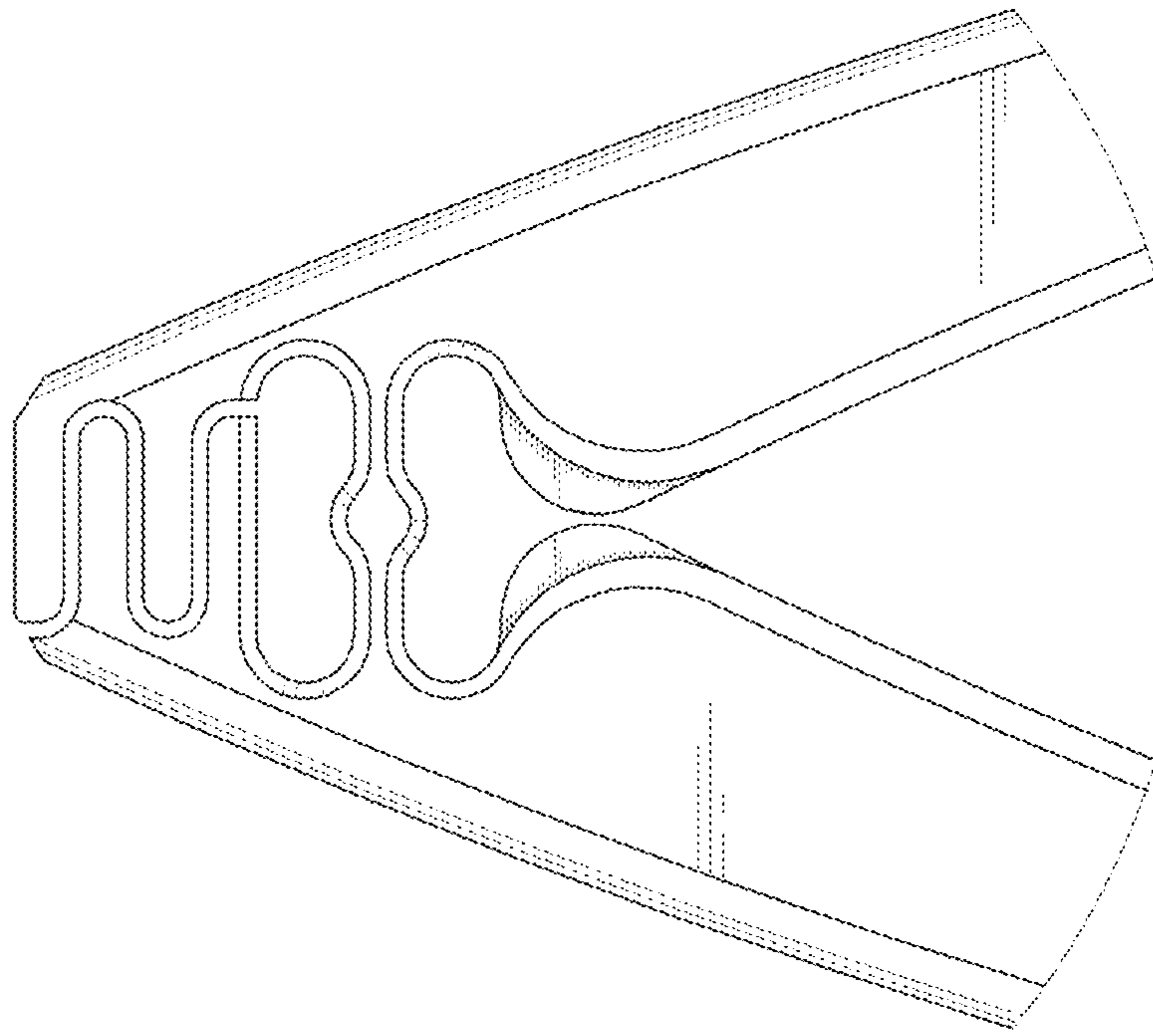


Fig. 4



Fig. 5

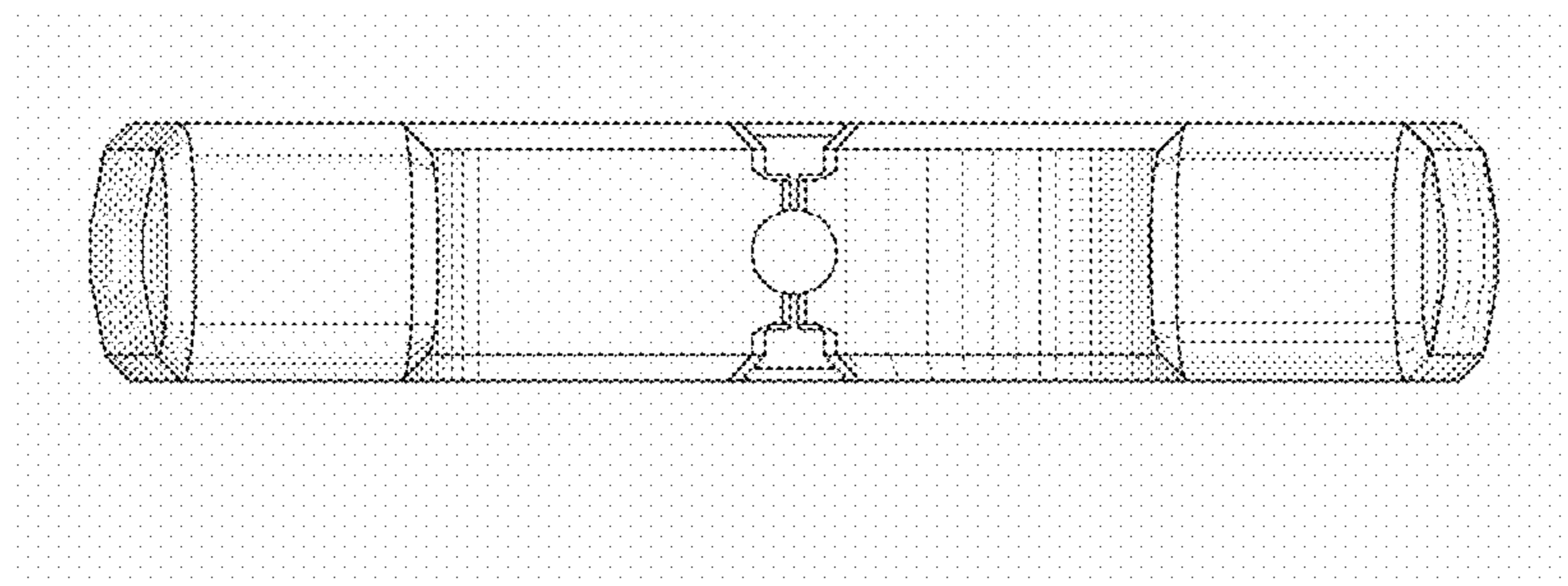


Fig. 6