



US00D796037S

(12) **United States Design Patent** (10) **Patent No.:** **US D796,037 S**
Becker (45) **Date of Patent:** **** Aug. 29, 2017**

(54) **EYEPIECE FOR A SIALENDOSCOPE**

(71) Applicant: **KARL STORZ GmbH & Co. KG,**
Tuttlingen (DE)

(72) Inventor: **Wolfram Becker,** Laer (DE)

(73) Assignee: **KARL STORZ GmbH & Co. KG,**
Tuttlingen (DE)

(**) Term: **15 Years**

(21) Appl. No.: **29/560,639**

(22) Filed: **Apr. 8, 2016**

(30) **Foreign Application Priority Data**

Oct. 8, 2015 (EM) 002814434-0001

(51) **LOC (10) Cl.** **24-02**

(52) **U.S. Cl.**
USPC **D24/133**

(58) **Field of Classification Search**

USPC D24/117-118, 108, 222, 132, 133,
D24/137-138; D16/130, 132, 136;
600/49, 109, 137, 145-147
CPC . A61B 18/14; A61B 18/1445; A61B 19/5225;
A61B 1/00052; A61B 1/00; A61B
1/0039; A61C 1/14; G02B 23/2484
See application file for complete search history.

(56) **References Cited**

U.S. PATENT DOCUMENTS

D533,941 S * 12/2006 Furst D24/137
D598,099 S * 8/2009 Halbig D24/138
D637,718 S * 5/2011 Eisenkolb D24/138
D637,719 S * 5/2011 Eisenkolb D24/138
D639,429 S * 6/2011 Speiser D24/138
D647,614 S * 10/2011 Becker D24/138
D647,615 S * 10/2011 Becker D24/138
D657,463 S * 4/2012 Becker D24/138
D657,870 S * 4/2012 Becker D24/138

D667,546 S * 9/2012 Becker D24/138
D669,173 S * 10/2012 Becker D24/138
D669,580 S * 10/2012 Eisenkolb D24/137
D670,383 S * 11/2012 Eisenkolb D24/137
D670,385 S * 11/2012 Becker D24/138
D672,462 S * 12/2012 Campo D24/138
D715,433 S * 10/2014 Berci D24/138
D716,942 S * 11/2014 Eisenkolb D24/138
D739,016 S * 9/2015 Berci D24/138
D743,028 S * 11/2015 Teufel D24/138
D743,029 S * 11/2015 Mesle D24/138

(Continued)

Primary Examiner — Manpreet Matharu

Assistant Examiner — Yolanda Robinson

(74) *Attorney, Agent, or Firm* — Muncy, Geissler, Olds &
Lowe, P.C.

(57) **CLAIM**

The ornamental design for a eyepiece for a sialendoscope, as shown and described.

DESCRIPTION

FIG. 1 is a front perspective view of a eyepiece for a sialendoscope according to the present invention.

FIG. 2 is a front view of the eyepiece for a sialendoscope of FIG. 1.

FIG. 3 is a rear view of the eyepiece for a sialendoscope of FIG. 1.

FIG. 4 is a left side view of the eyepiece for a sialendoscope of FIG. 1.

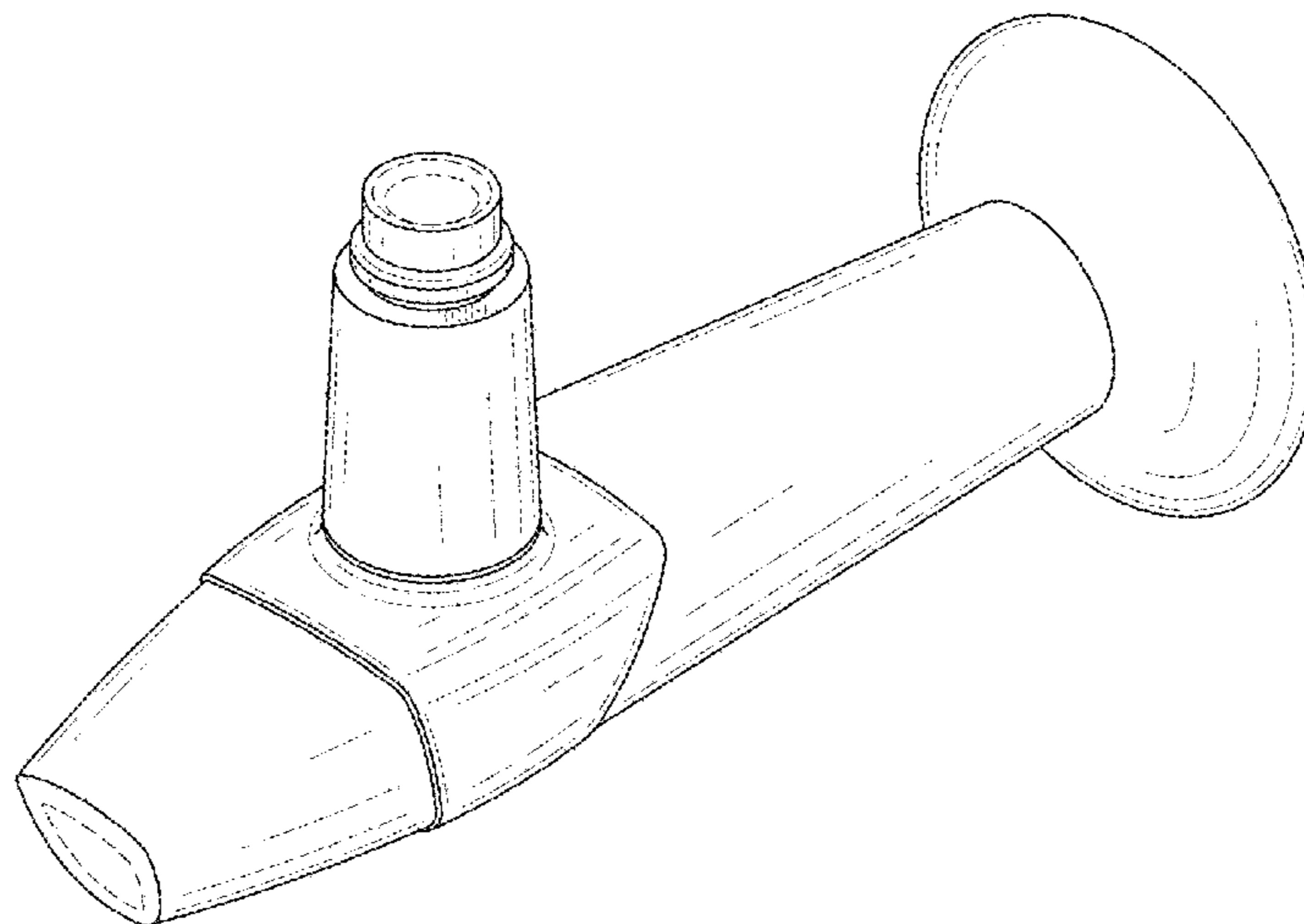
FIG. 5 is a right side view of the eyepiece for a sialendoscope of FIG. 1.

FIG. 6 is a top view of the eyepiece for a sialendoscope of FIG. 1; and,

FIG. 7 is a bottom view of the eyepiece for a sialendoscope of FIG. 1.

The dashed lines illustrate environment that does not form a part of the present invention, and no claim is made to the material illustrated with dashed lines.

1 Claim, 7 Drawing Sheets



(56)

References Cited

U.S. PATENT DOCUMENTS

D753,745 S *	4/2016	Pilz	D16/132
D757,262 S *	5/2016	Barki	D24/138
D757,263 S *	5/2016	Hofer	D24/138
D757,264 S *	5/2016	Eisenlauer	D24/138
2009/0076323 A1 *	3/2009	Smith	A61B 17/34 600/114

* cited by examiner

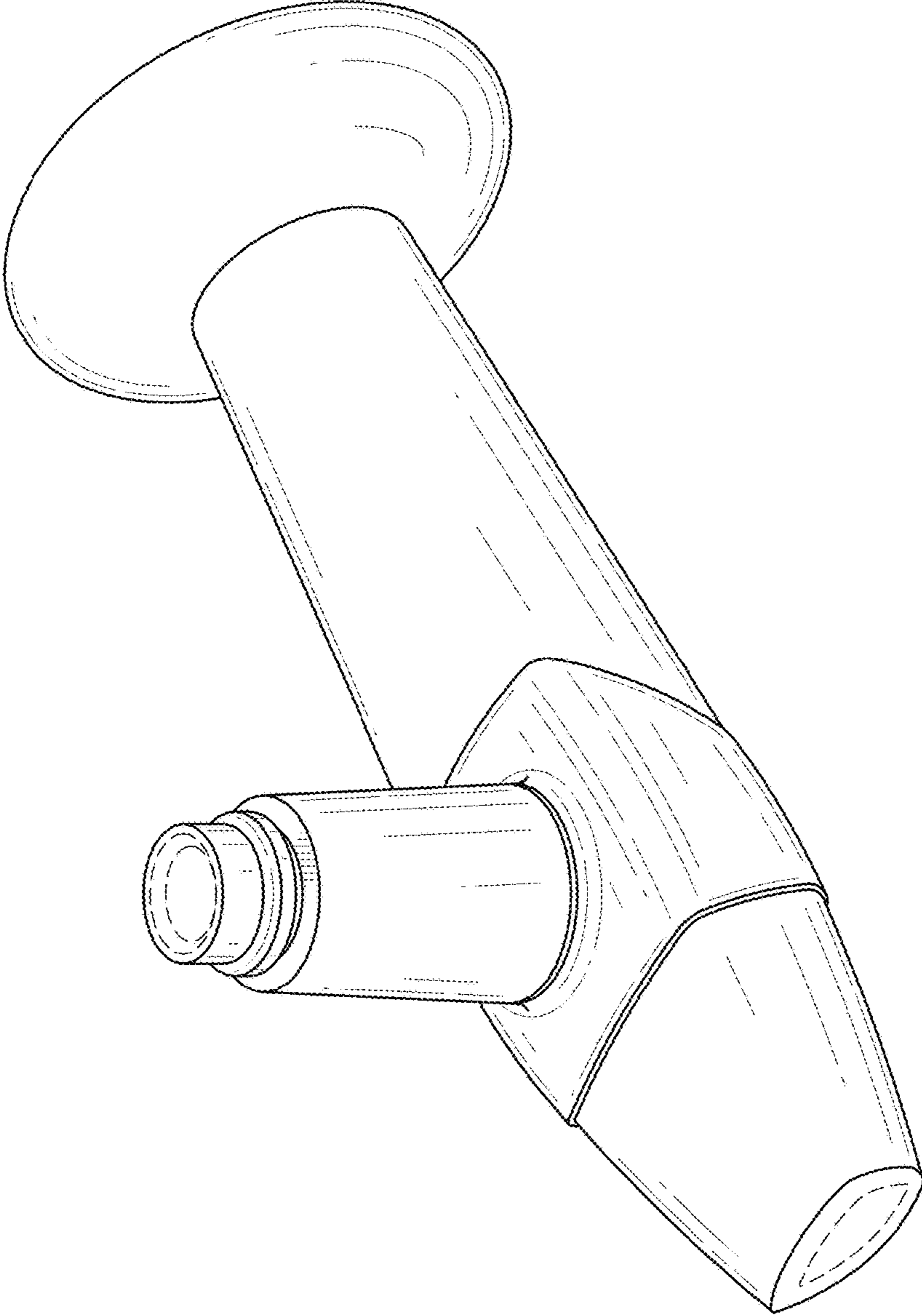


FIG.1

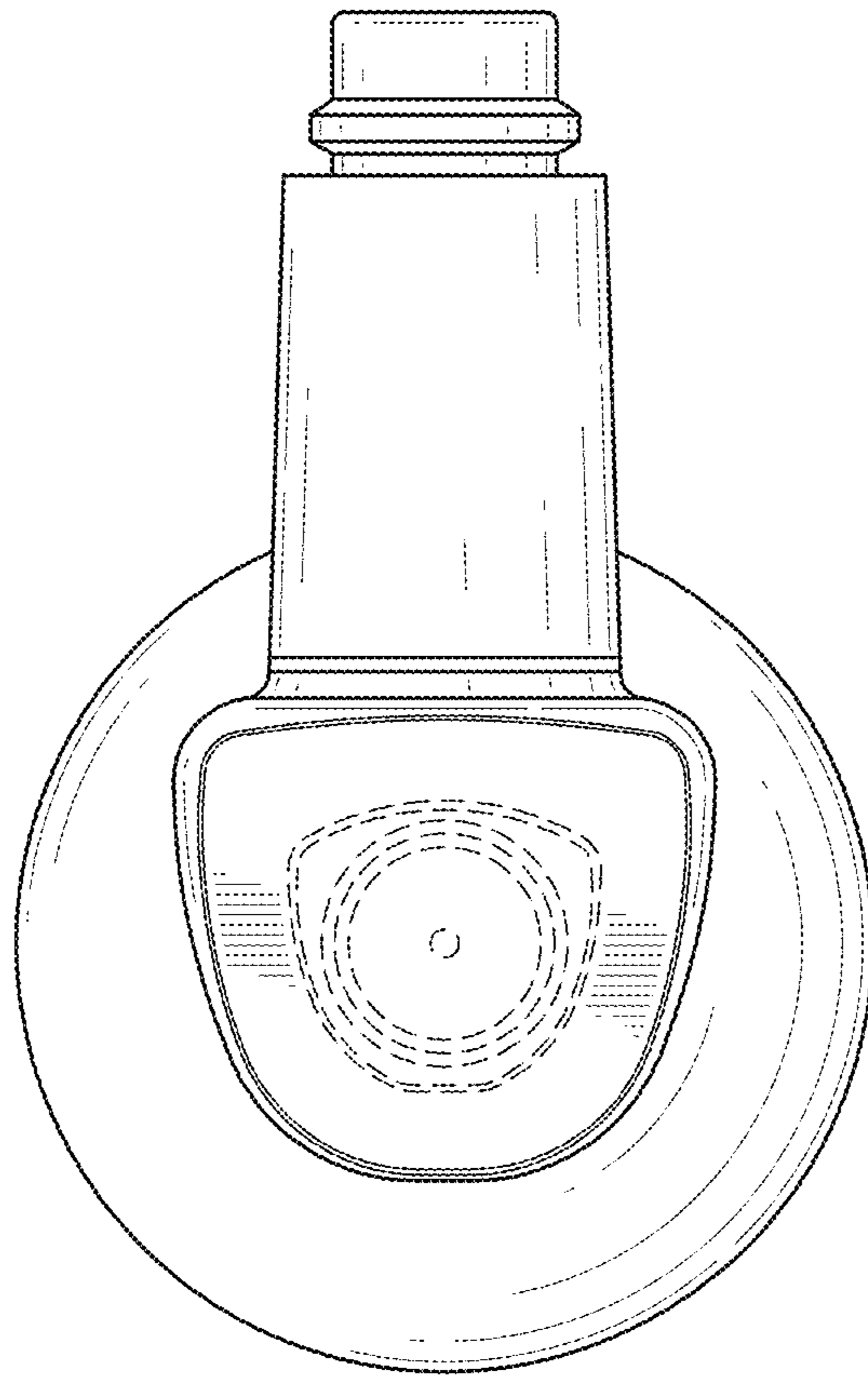


FIG.2

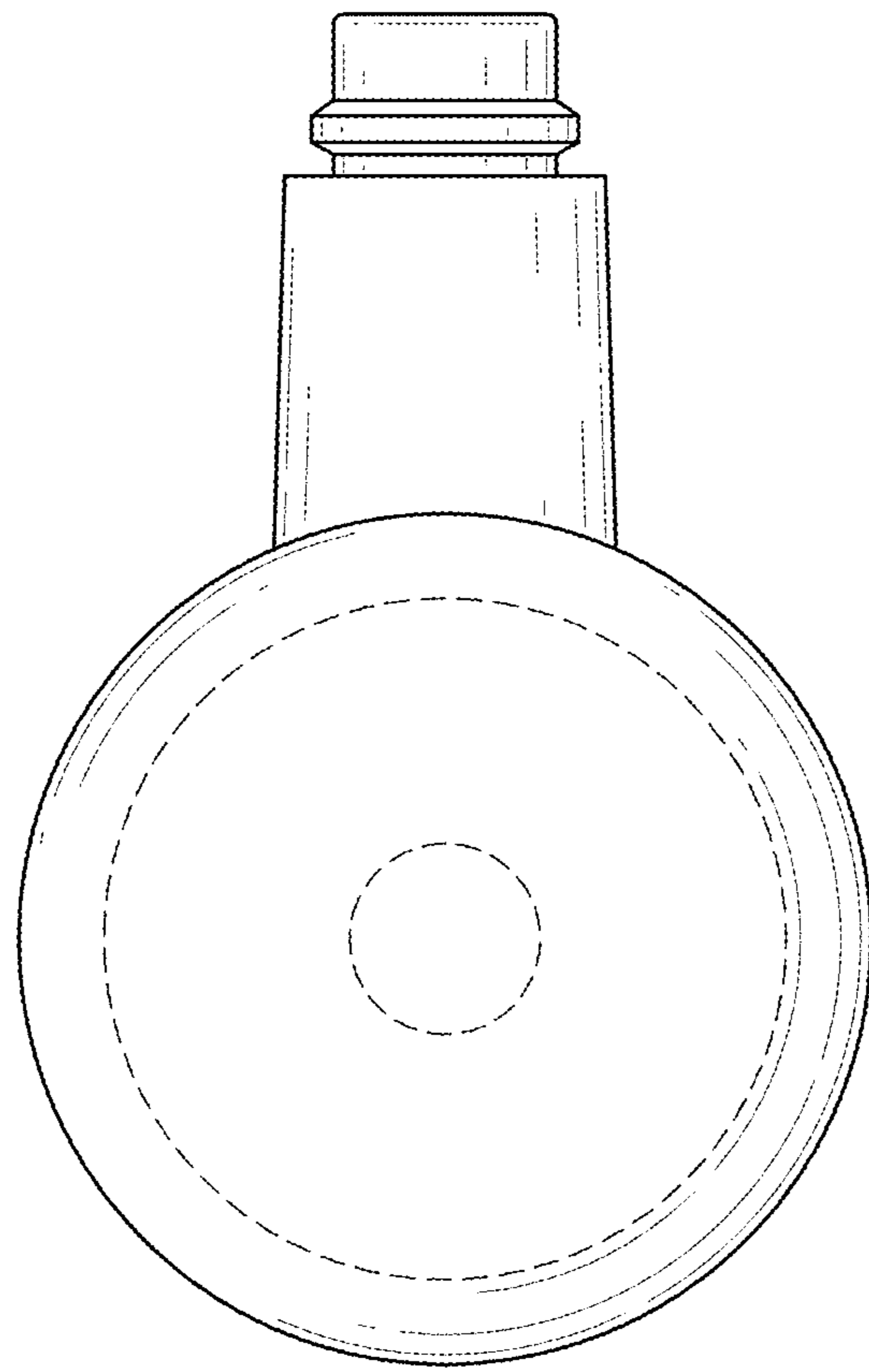


FIG.3

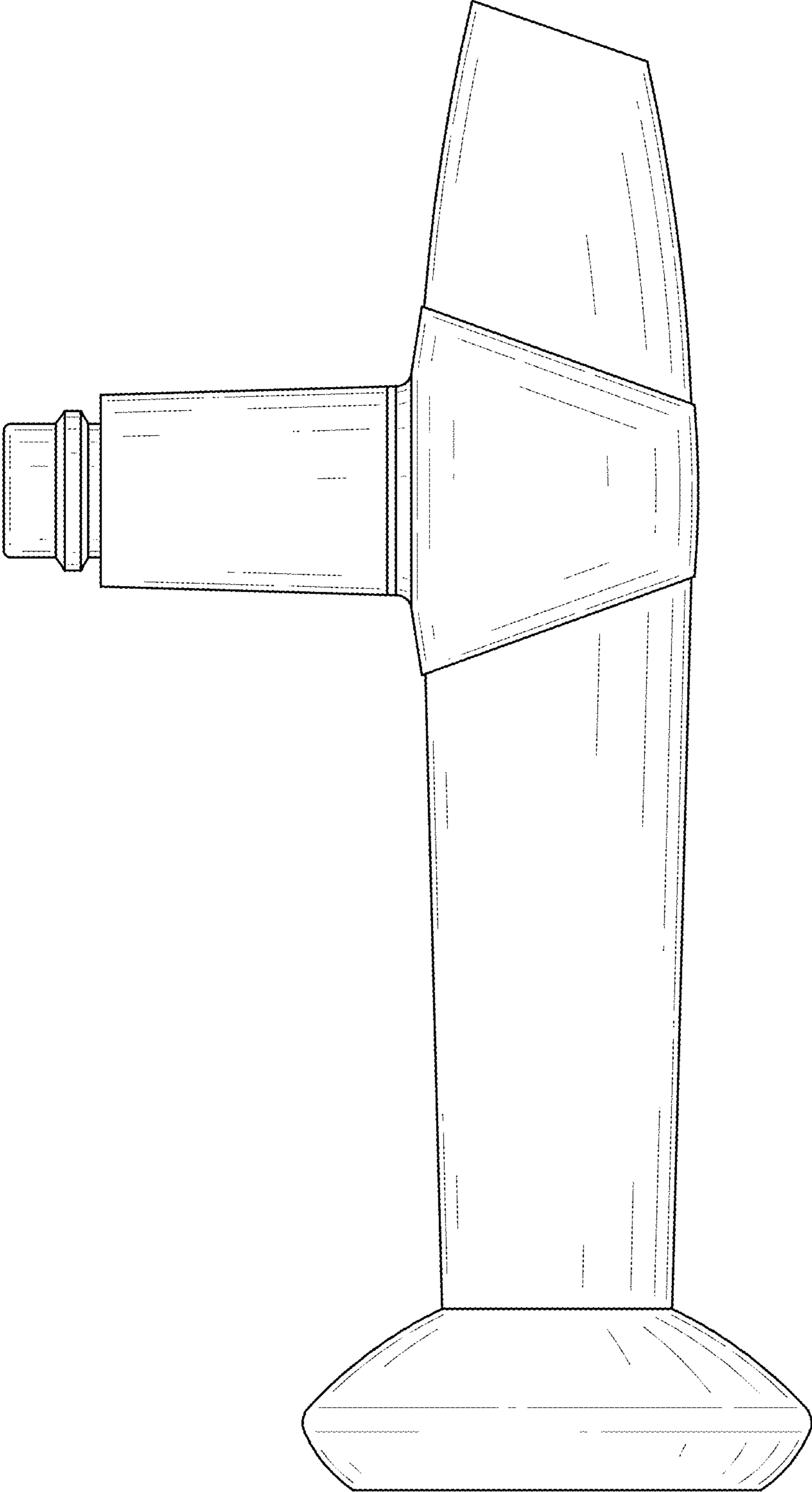


FIG. 4

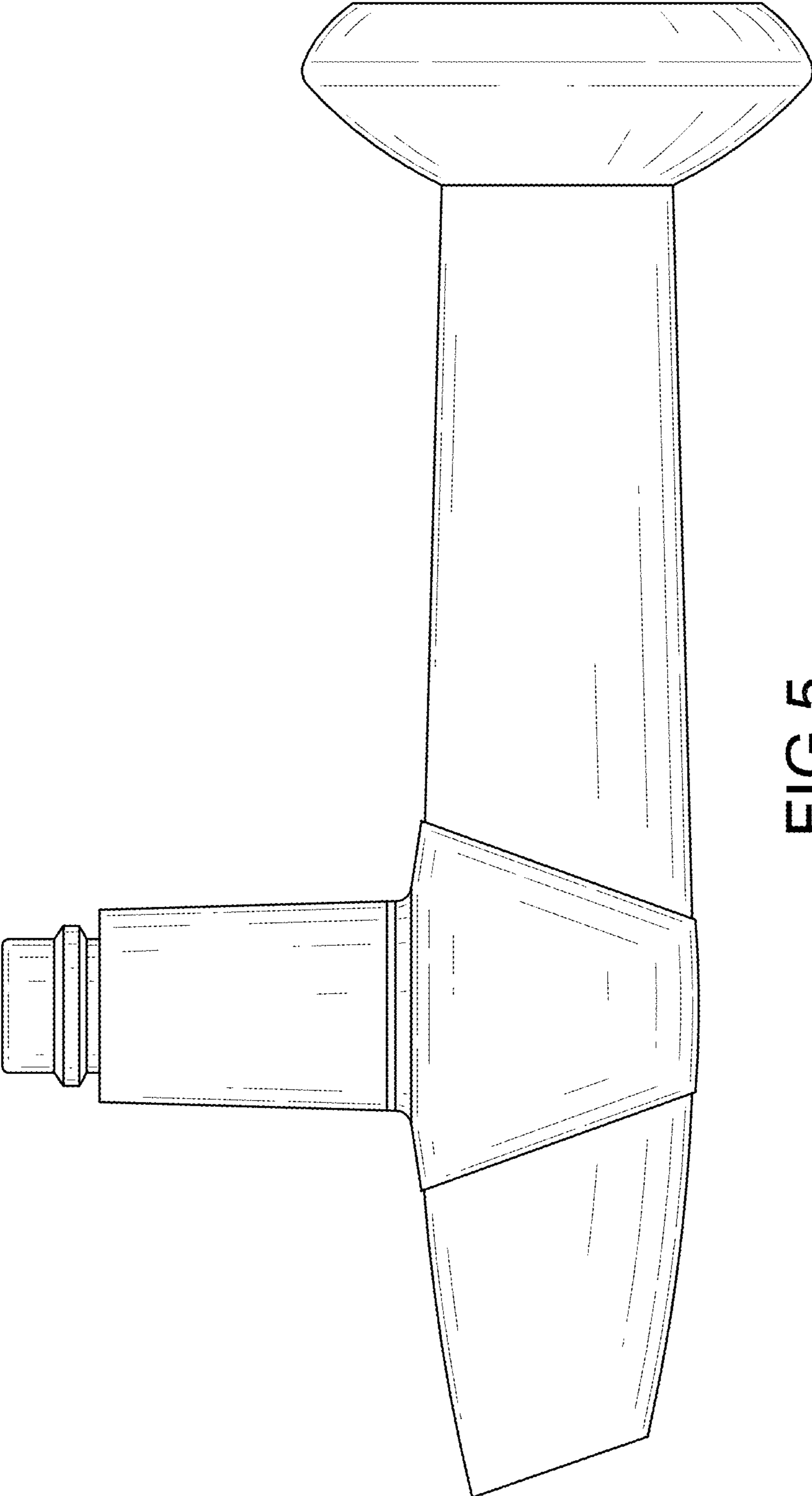


FIG.5

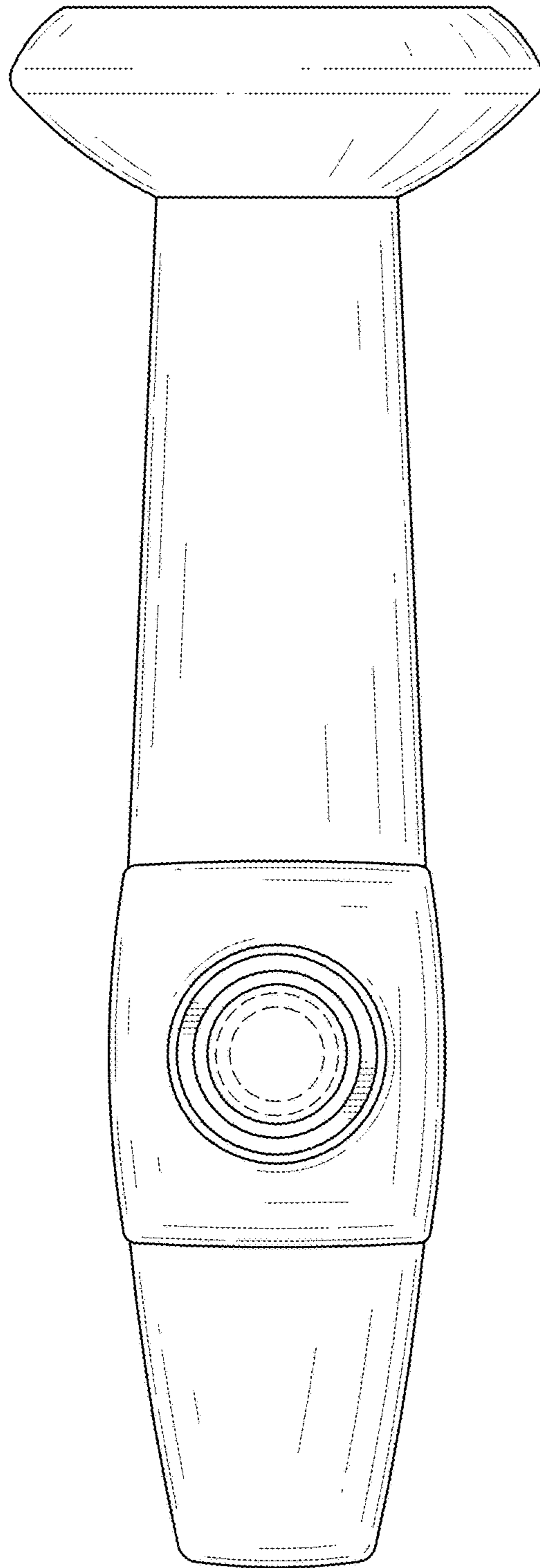


FIG.6

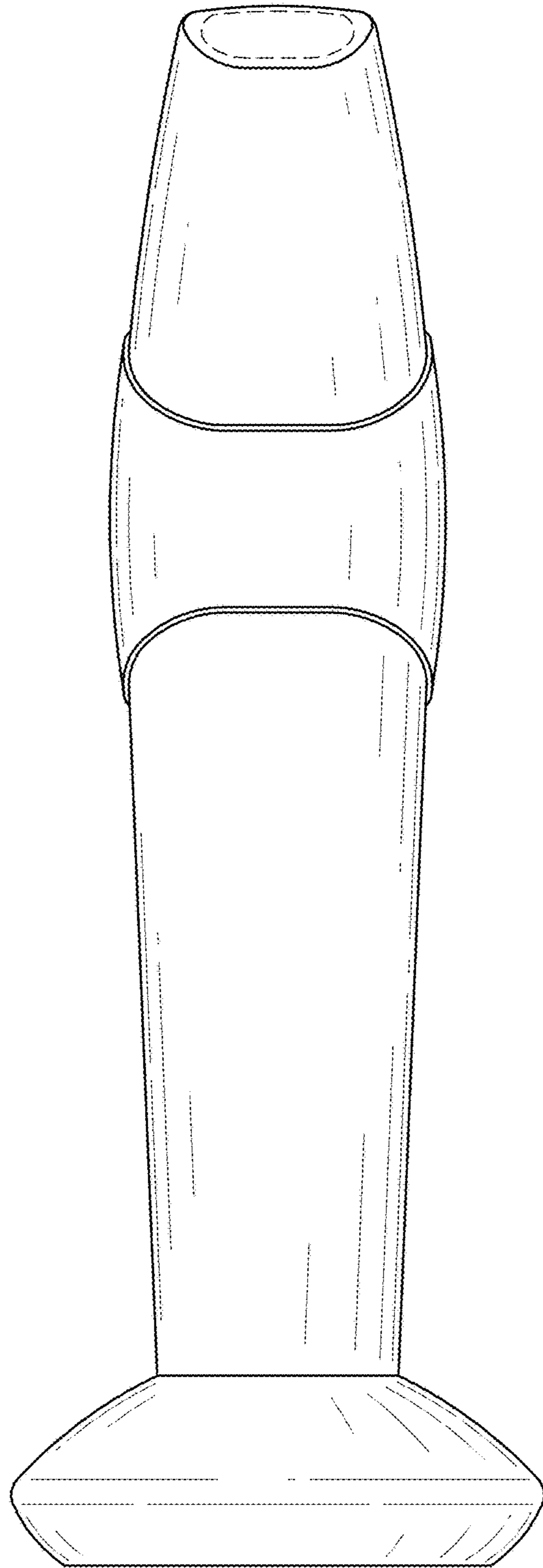


FIG.7