



US00D796036S

(12) **United States Design Patent** (10) **Patent No.:** **US D796,036 S**
Ren (45) **Date of Patent:** **** Aug. 29, 2017**

(54) **SLUSH DRAPE**

(71) Applicant: **Medline Industries, Inc.**, Mundelein, IL (US)

(72) Inventor: **XingQuan Ren**, Skokie, IL (US)

(73) Assignee: **Medline Industries, Inc.**, Northfield, IL (US)

(**) Term: **14 Years**

(21) Appl. No.: **29/502,252**

(22) Filed: **Sep. 12, 2014**

(51) **LOC (10) Cl.** **24-01**

(52) **U.S. Cl.**
USPC **D24/132**

(58) **Field of Classification Search**
USPC D24/127-132, 112-114, 133, 186, 184, D24/231; 606/181, 185; 604/264, 272,
(Continued)

(56) **References Cited**

U.S. PATENT DOCUMENTS

2,567,385 A 9/1951 Lighter
3,626,944 A 12/1971 Schaar
(Continued)

OTHER PUBLICATIONS

“Catalog”, *Medi-Slush Surgical Drape*; *Medline Catalog*; <http://www.medline.com/catalog/catalog.jsp>; Unknown Publication date but believed to be prior to present application filing date.
(Continued)

Primary Examiner — David Muller

Assistant Examiner — Nathan Johnston

(74) *Attorney, Agent, or Firm* — Philip H. Burrus, IV

(57) **CLAIM**

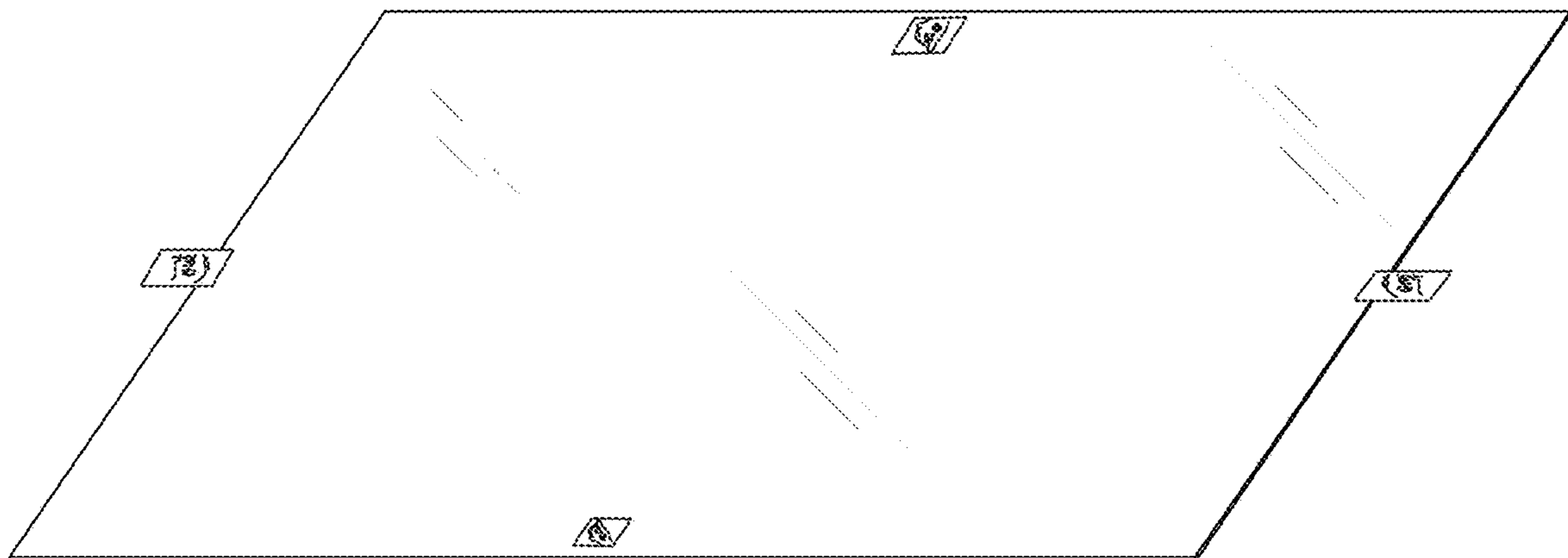
The ornamental design for a slush drape, as shown and described.

DESCRIPTION

FIG. 1 is a shaded perspective view of a slush drape showing my new design;
FIG. 2 is a shaded top plan view thereof;
FIG. 3 is a shaded major side elevation view thereof;
FIG. 4 is a shaded minor side elevation view thereof;
FIG. 5 is a shaded first portion view thereof;
FIG. 6 is a shaded second portion view thereof;
FIG. 7 is a shaded third portion view thereof;
FIG. 8 is a fourth portion view thereof;
FIG. 9 is a shaded perspective view thereof in a first partially folded configuration;
FIG. 10 is a shaded perspective view thereof in a second partially folded configuration;
FIG. 11 is a shaded perspective view thereof in a third partially folded configuration;
FIG. 12 is a shaded perspective view thereof in a fourth partially folded configuration;
FIG. 13 is a shaded perspective view thereof in a fifth partially folded configuration;
FIG. 14 is a shaded perspective view thereof in a sixth partially folded configuration;
FIG. 15 is a shaded perspective view thereof in a seventh partially folded configuration;
FIG. 16 is a shaded perspective view thereof in an eighth folded configuration;
FIG. 17 is a shaded perspective view thereof in a ninth partially folded configuration;
FIG. 18 is a shaded perspective view thereof in a tenth partially folded configuration; and,
FIG. 19 is a shaded perspective view thereof in a second folded configuration.

The dashed lines are included for the purpose of illustrating portions of the slush drape that form no part of the claimed design.

1 Claim, 10 Drawing Sheets



(58) **Field of Classification Search**

USPC .. 604/115, 232, 187, 158, 164.08, 192, 263,
604/163, 181, 184, 198, 227; 600/101,
600/139, 143; 128/200.24, 207.14,
128/207.15, 846, 849–855; D6/608, 596,
D6/602, 603; 5/417, 420, 482, 485;
427/244

CPC A61B 46/00; A61B 19/08; A61B 17/10;
B31F 1/00

See application file for complete search history.

(56) **References Cited**

U.S. PATENT DOCUMENTS

3,777,749 A 12/1973 Collins
3,963,029 A 6/1976 Brooks
4,151,787 A 5/1979 Rohr et al.
4,512,464 A 4/1985 Sylvester
4,624,320 A * 11/1986 Romaine A62C 8/06
169/50
5,162,040 A * 11/1992 Annett A61F 13/023
128/849
D341,979 S * 12/1993 Peters D6/596
5,419,913 A * 5/1995 Podell A61B 17/06166
128/849
D369,056 S * 4/1996 Rinaldo D6/596
D370,822 S 6/1996 Palomo et al.
D376,287 S * 12/1996 Bennett D6/595
5,622,281 A 4/1997 Annand
D379,129 S * 5/1997 Yost 5/417
D389,581 S * 1/1998 Fein D24/189
D392,146 S * 3/1998 Gregg D6/608
5,778,890 A * 7/1998 Lofgren A61B 46/00
128/849
D396,596 S * 8/1998 Simon D20/27
5,882,743 A 3/1999 McConnell
5,918,341 A * 7/1999 Hale A47L 13/16
15/104.93
6,094,759 A * 8/2000 Thompson A47G 9/0223
5/420
6,189,166 B1 * 2/2001 Braine A41B 13/06
2/69
6,298,855 B1 * 10/2001 Baird A61B 46/00
128/849
D467,345 S * 12/2002 Gingles D24/189
D508,149 S * 8/2005 Jacobazzi D29/100
D586,470 S * 2/2009 Warder D24/211
D616,693 S * 6/2010 Williams D6/609
D618,810 S * 6/2010 Tanigawa D24/189
D637,296 S * 5/2011 Matthews D24/184
D654,174 S * 2/2012 Matthews D24/184
D658,764 S * 5/2012 Matthews D24/184

D683,566 S * 6/2013 Schwartz D6/596
8,464,722 B2 * 6/2013 Chua A61B 46/00
128/855
D686,735 S * 7/2013 Tsuruta D24/189
D692,146 S * 10/2013 Mochizuki D24/189
D699,363 S * 2/2014 Mochizuki D24/189
D699,856 S * 2/2014 Mochizuki D24/189
D710,131 S * 8/2014 McNett D6/596
D728,451 S * 5/2015 Rodriguez D12/401
D734,128 S * 7/2015 Davtian D6/608
2004/0001927 A1 1/2004 Moran et al.
2005/0022822 A1 * 2/2005 Santilli A61B 46/30
128/849
2005/0034731 A1 * 2/2005 Rousseau A61B 17/085
128/849
2007/0000052 A1 * 1/2007 Vianello A41D 3/06
5/482
2011/0174318 A1 * 7/2011 Reyes A61B 46/23
128/852
2013/0112211 A1 * 5/2013 Power A61B 19/08
128/853
2014/0041669 A1 * 2/2014 Houde A61B 19/081
128/849
2016/0000231 A1 * 1/2016 Auell A47C 27/084
5/420

OTHER PUBLICATIONS

“Catalog”, *Round Basin ORS Hush Slush Systems by Ecolab/Microtek*; *Medline Catalog*; <http://www.medline.com/catalog/catalog.jsp>; Unknown Publication date but believed to be prior to present application filing date.
“Catalog”, *Slush/Fluid Warmer Drapes by Advance Medical*; *Medline Catalog*; <http://www.medline.com/catalog/catalog.jsp>; Unknown Publication date but believed to be prior to present application filing date.
“Catalog”, *Slush/Fluid Warmer Equiement Drape by Welmed*; *Medline Catalog*; <http://www.medline.com/catalog/catalog.jsp>; Unknown Publication date but believed to be prior to present application filing date.
“Catalog”, *Slush Drapes by DeRoyal*; *Medline Catalog*; <http://www.medline.com/catalog/catalog.jsp>; Unknown Publication date but believed to be prior to present application filing date.
“Catalog”, *Slush Drapes by Ecolab*; *Medline Catalog*; <http://www.medline.com/catalog/catalog.jsp>; Unknown Publication date but believed to be prior to present application filing date.
“Catalog”, *Slush Machine Drapes by Premier Guard LLC*; *Medline Catalog*; <http://www.medline.com/catalog/catalog.jsp>; Unknown Publication date but believed to be prior to present application filing date.

* cited by examiner

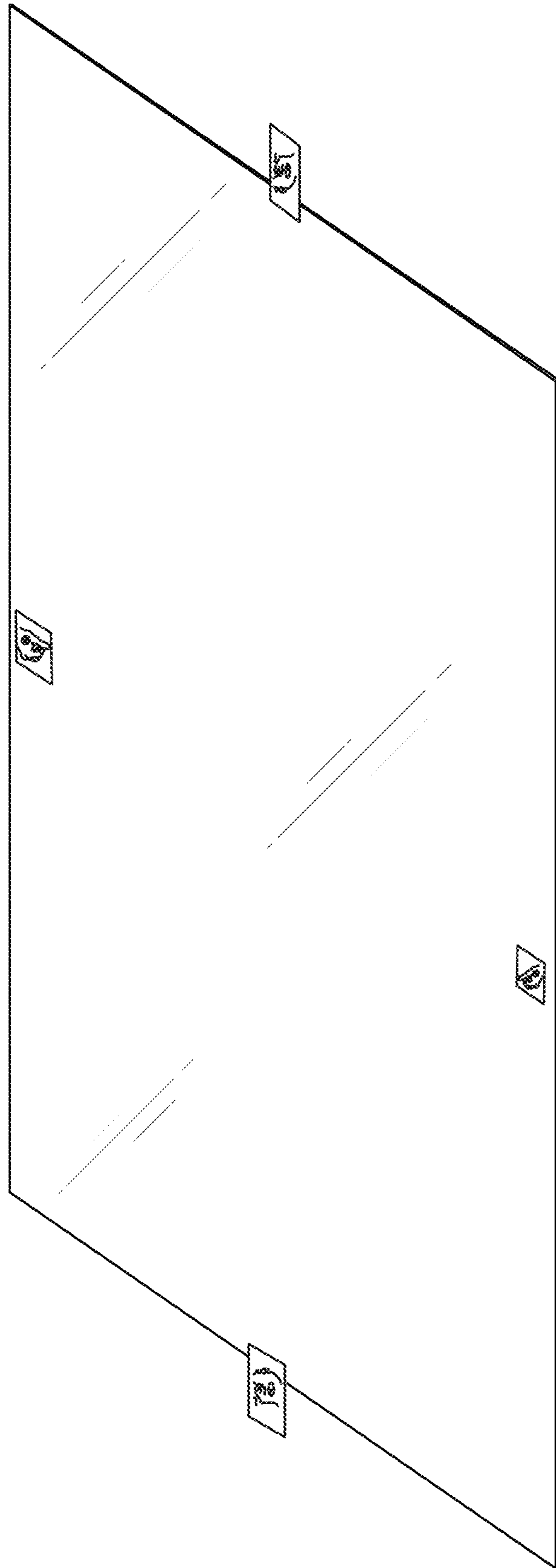


FIG. 1

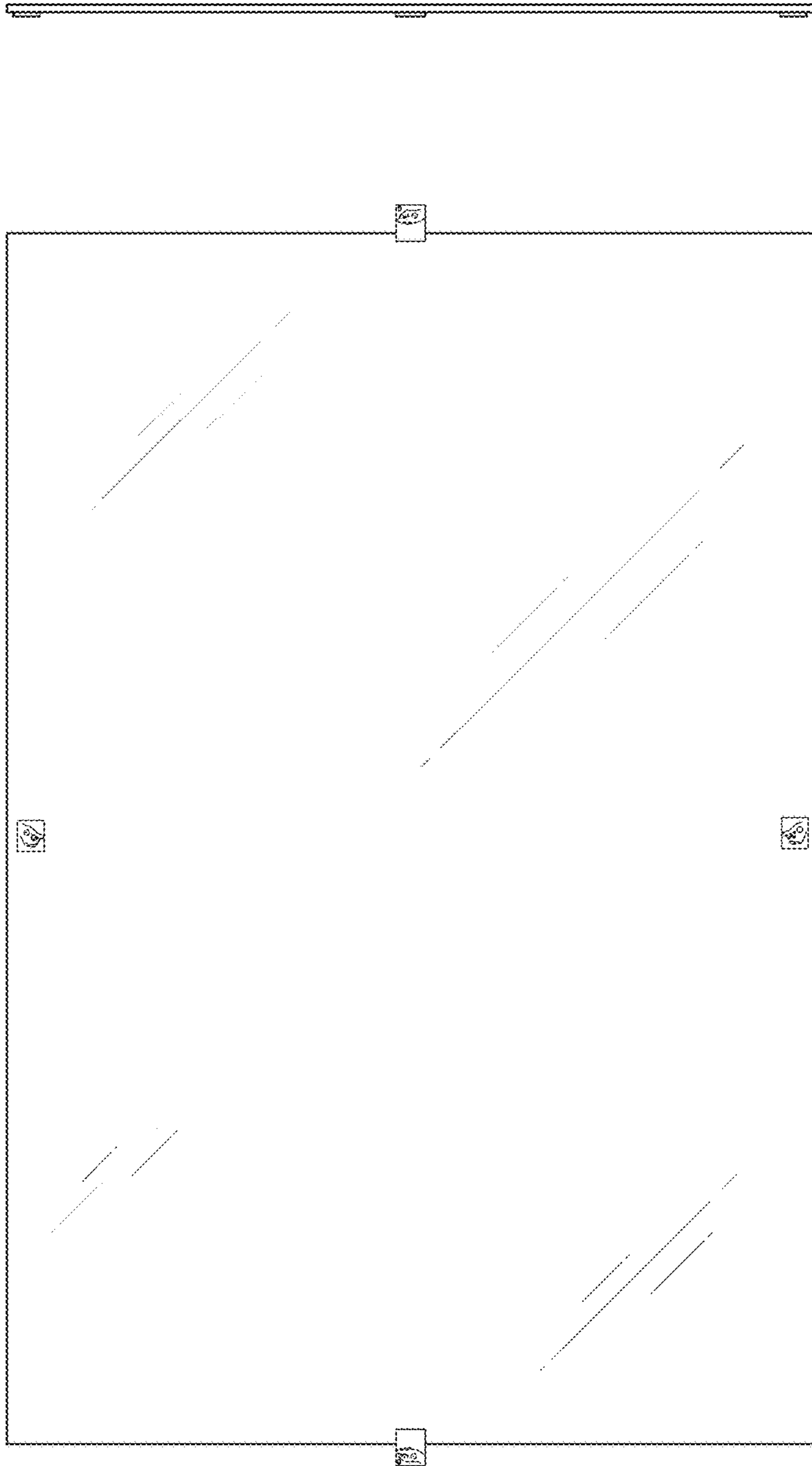


FIG. 2

FIG. 4



FIG. 3

FIG. 5

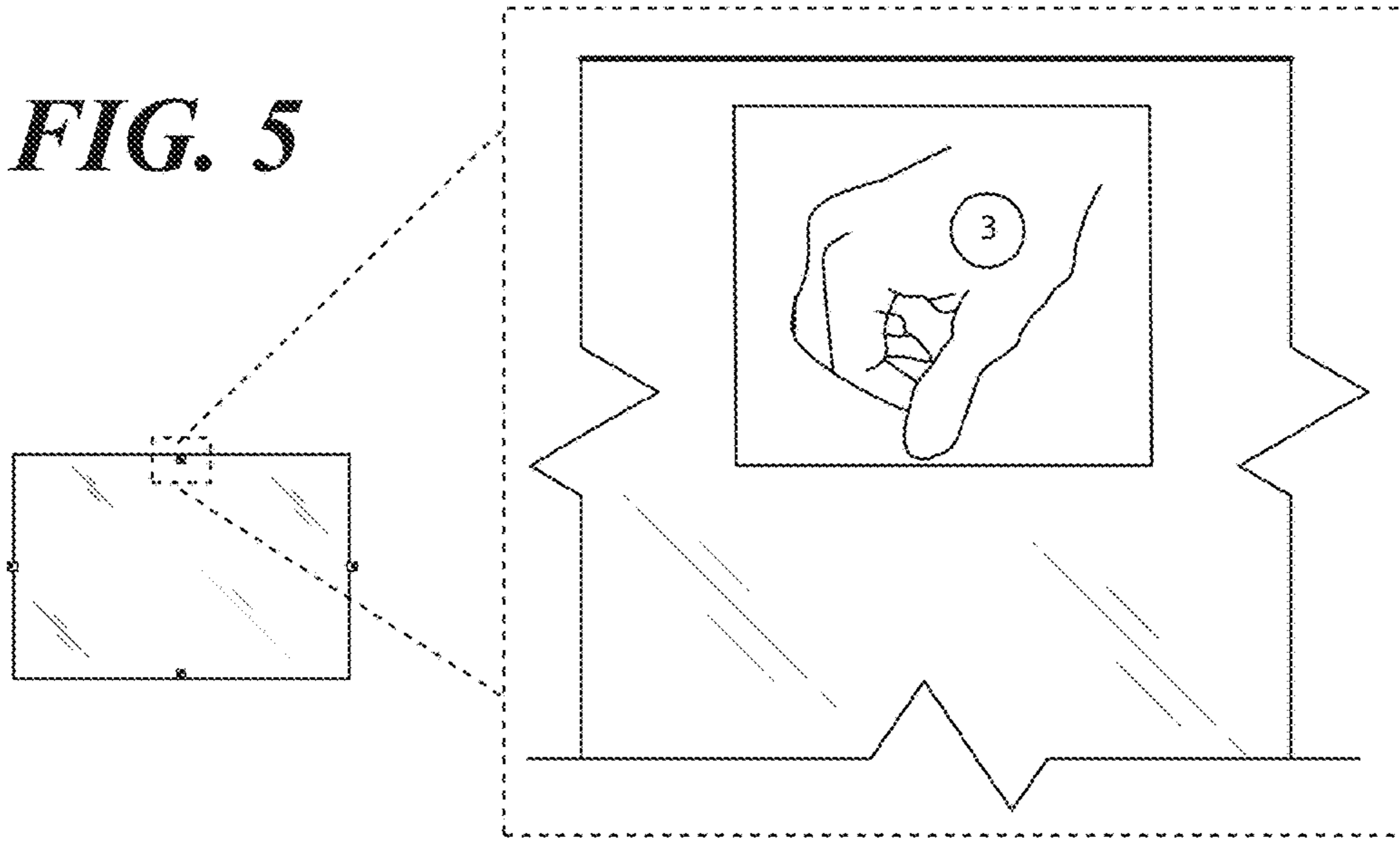
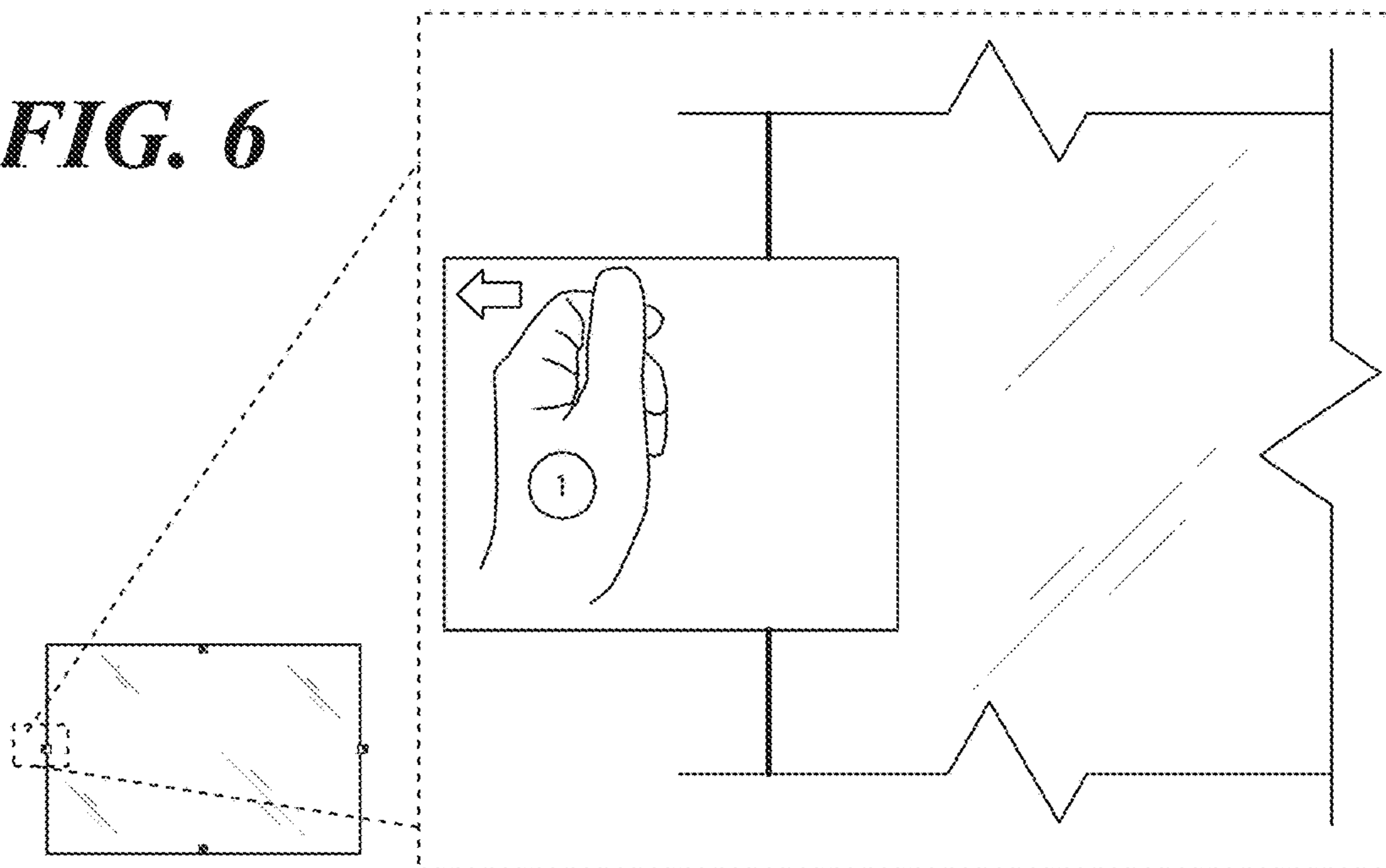
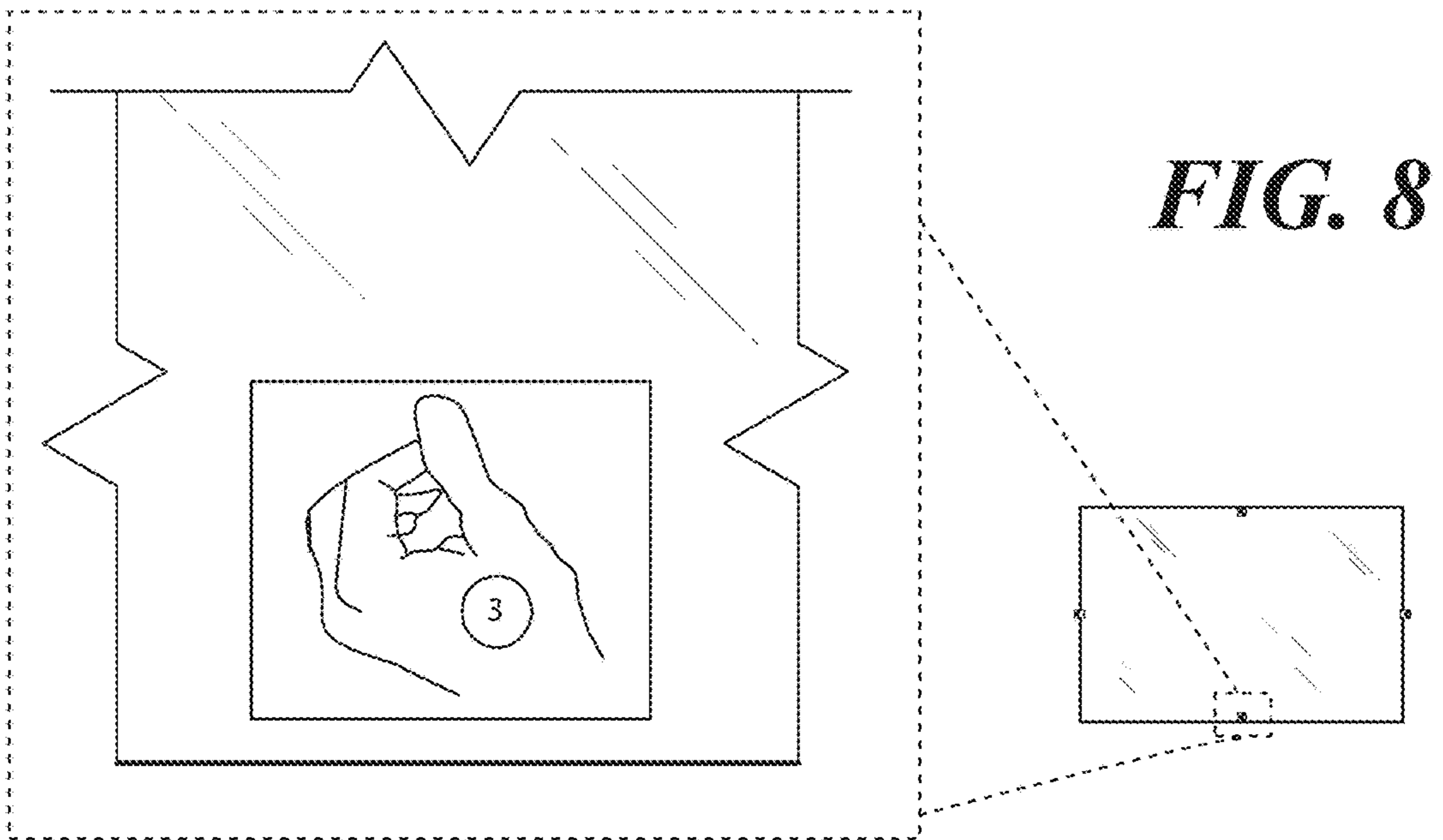
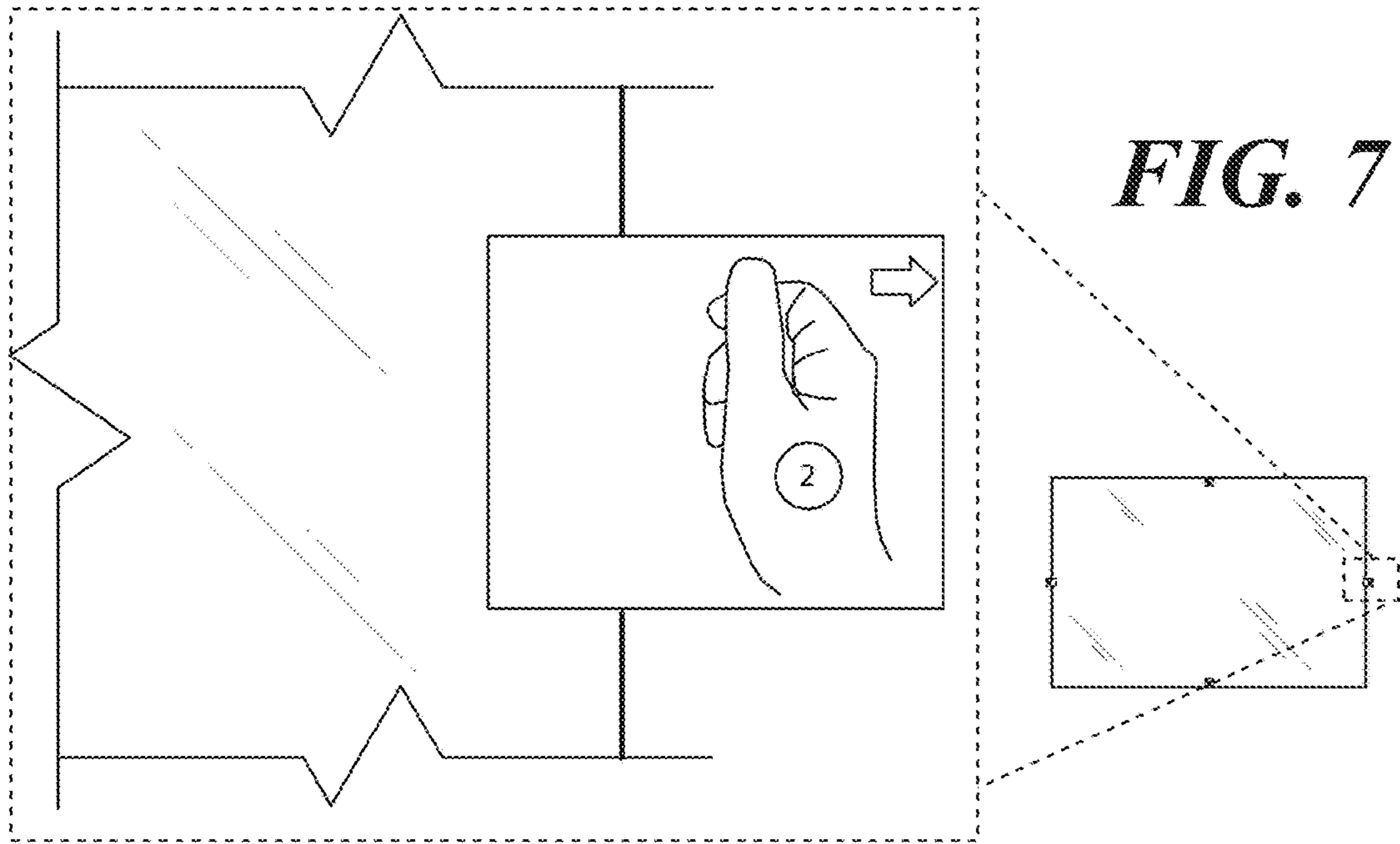


FIG. 6





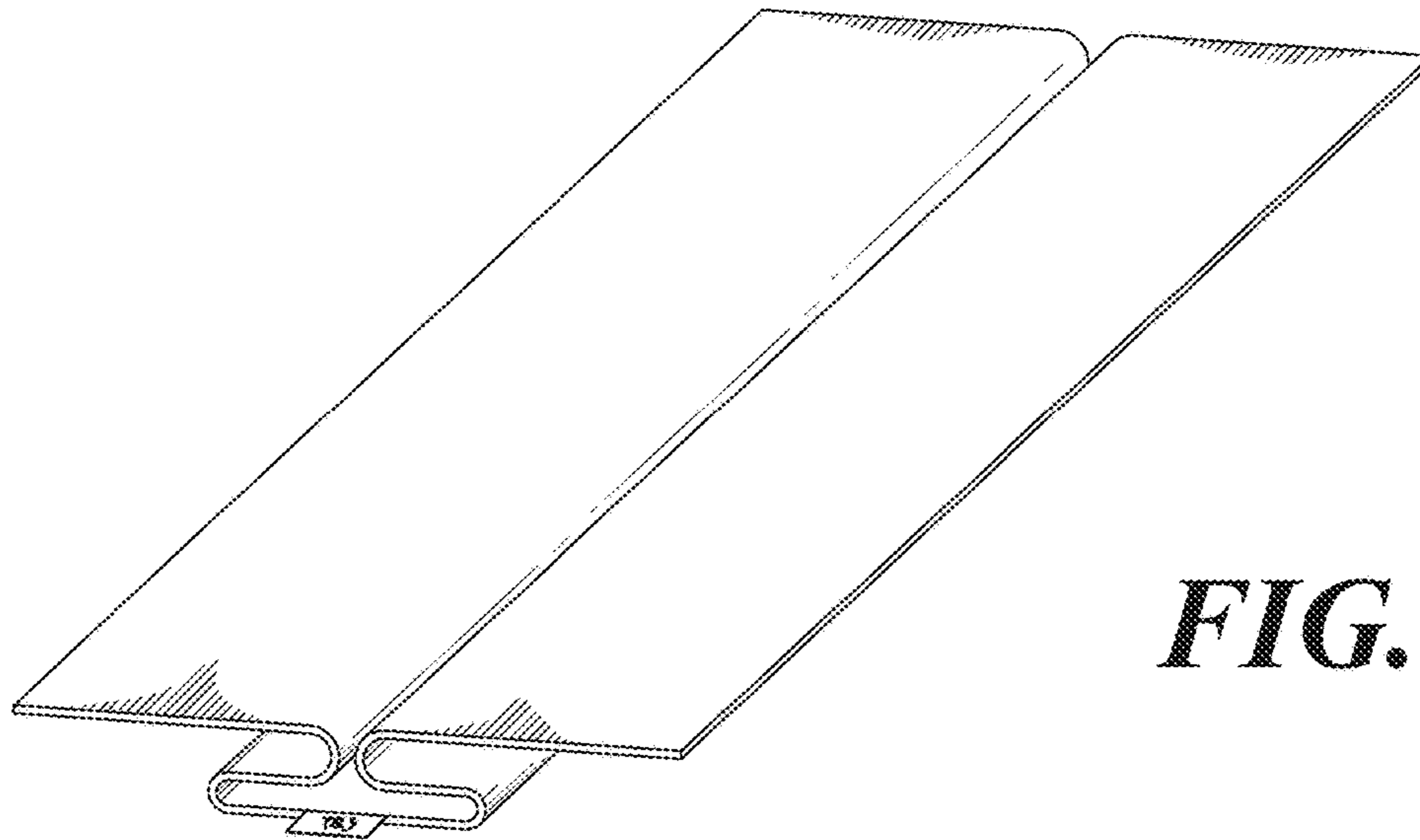


FIG. 9

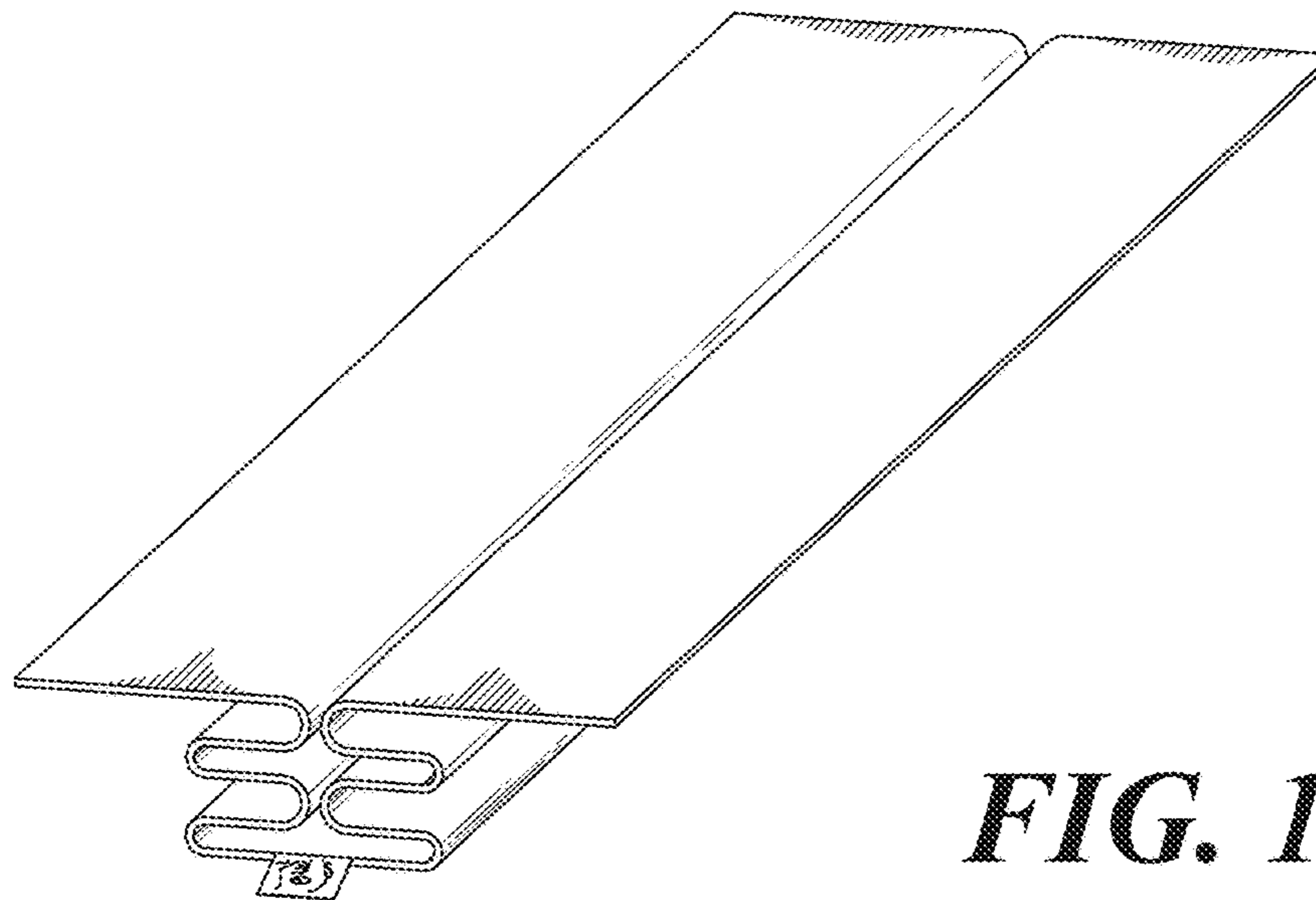


FIG. 10

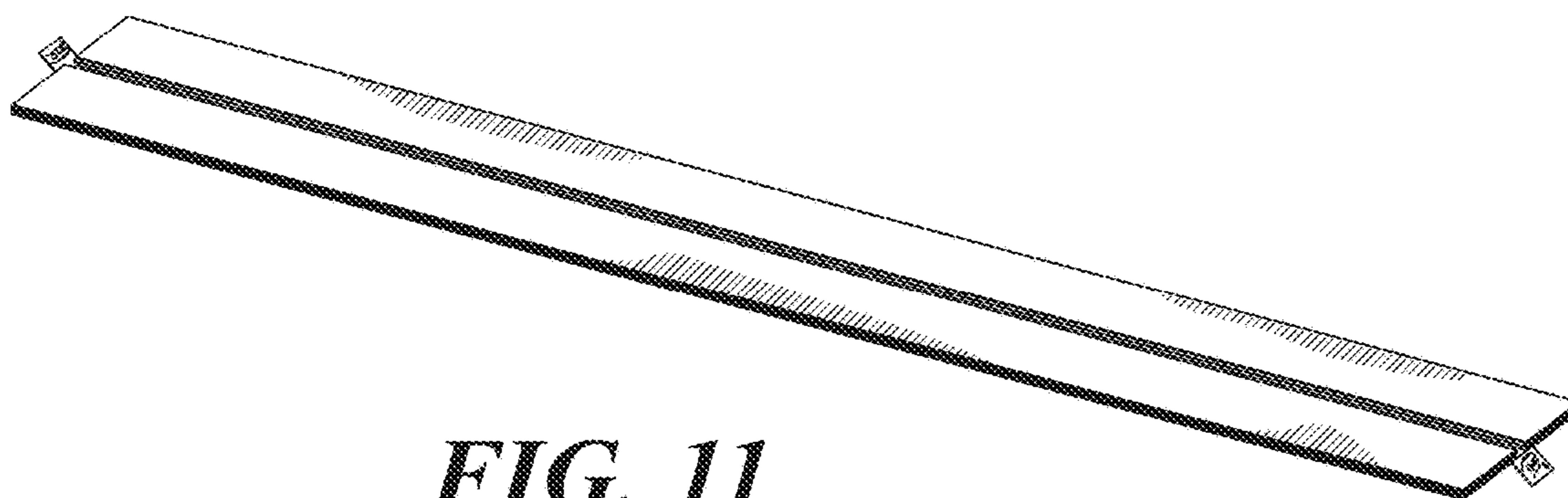


FIG. 11

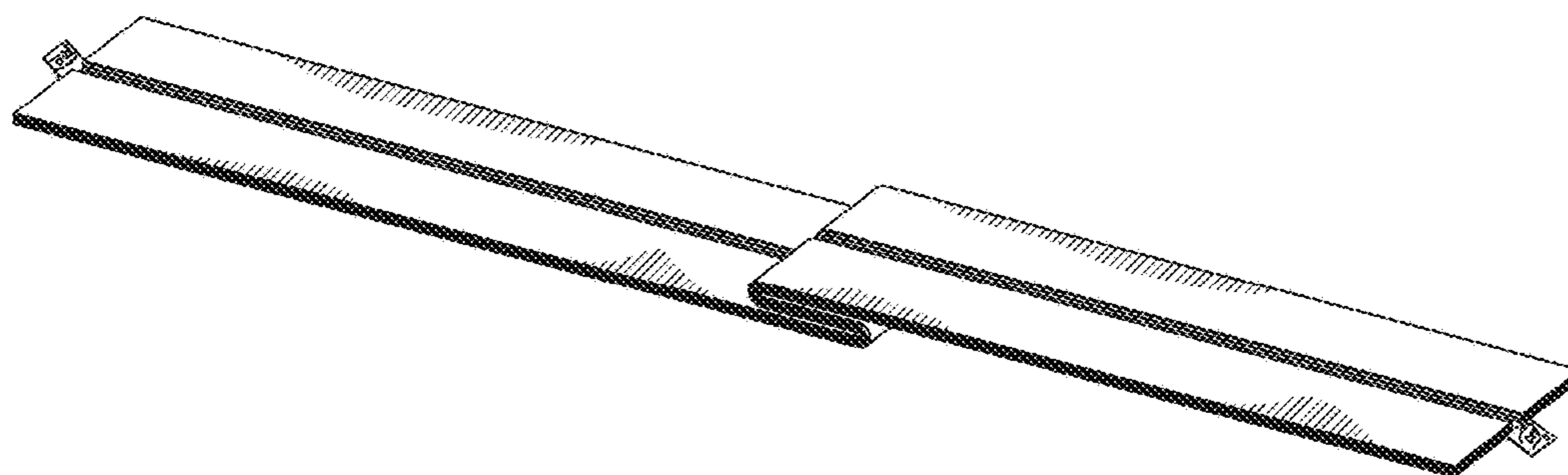


FIG. 12

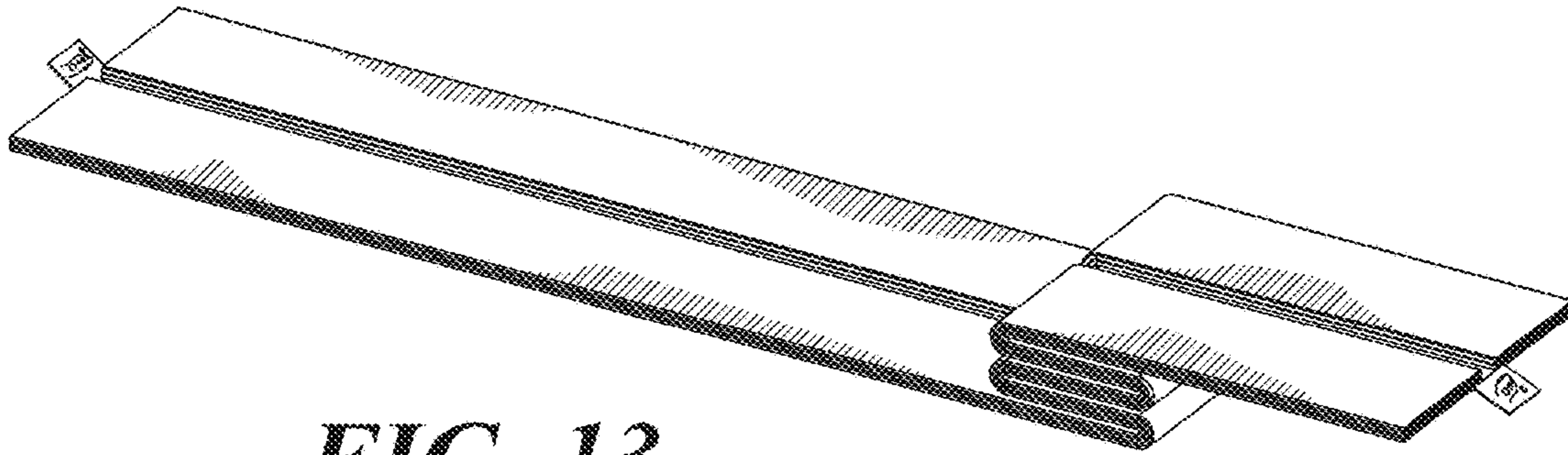


FIG. 13

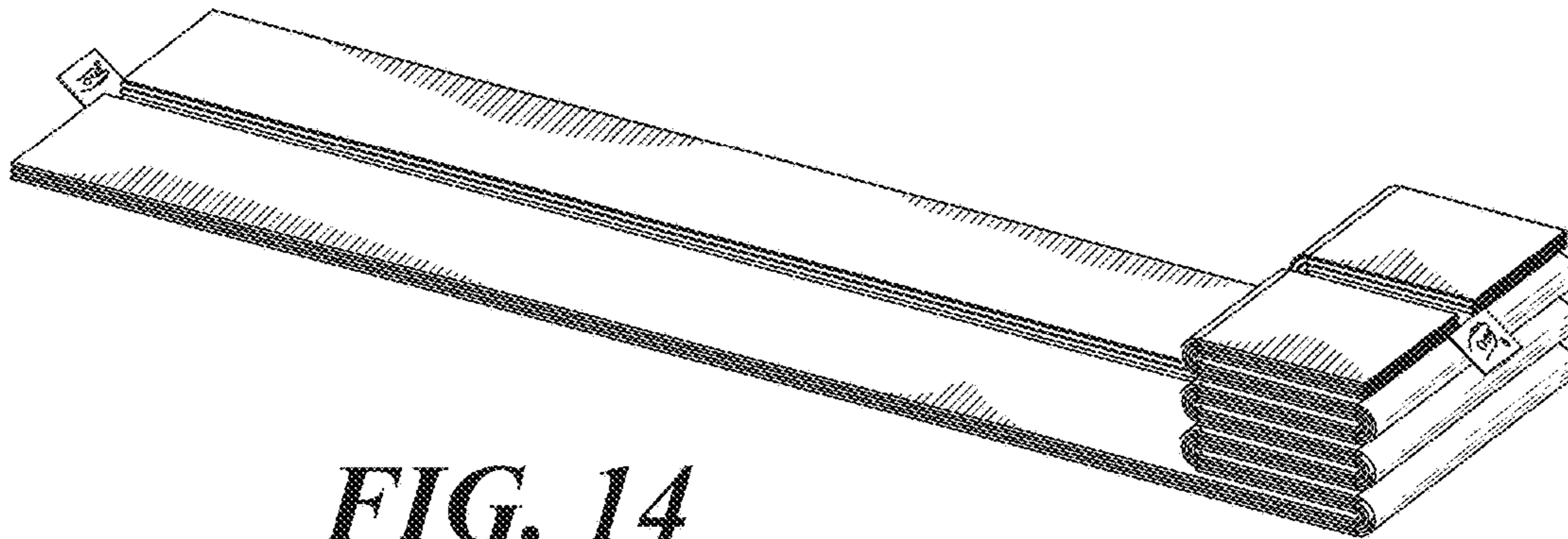


FIG. 14

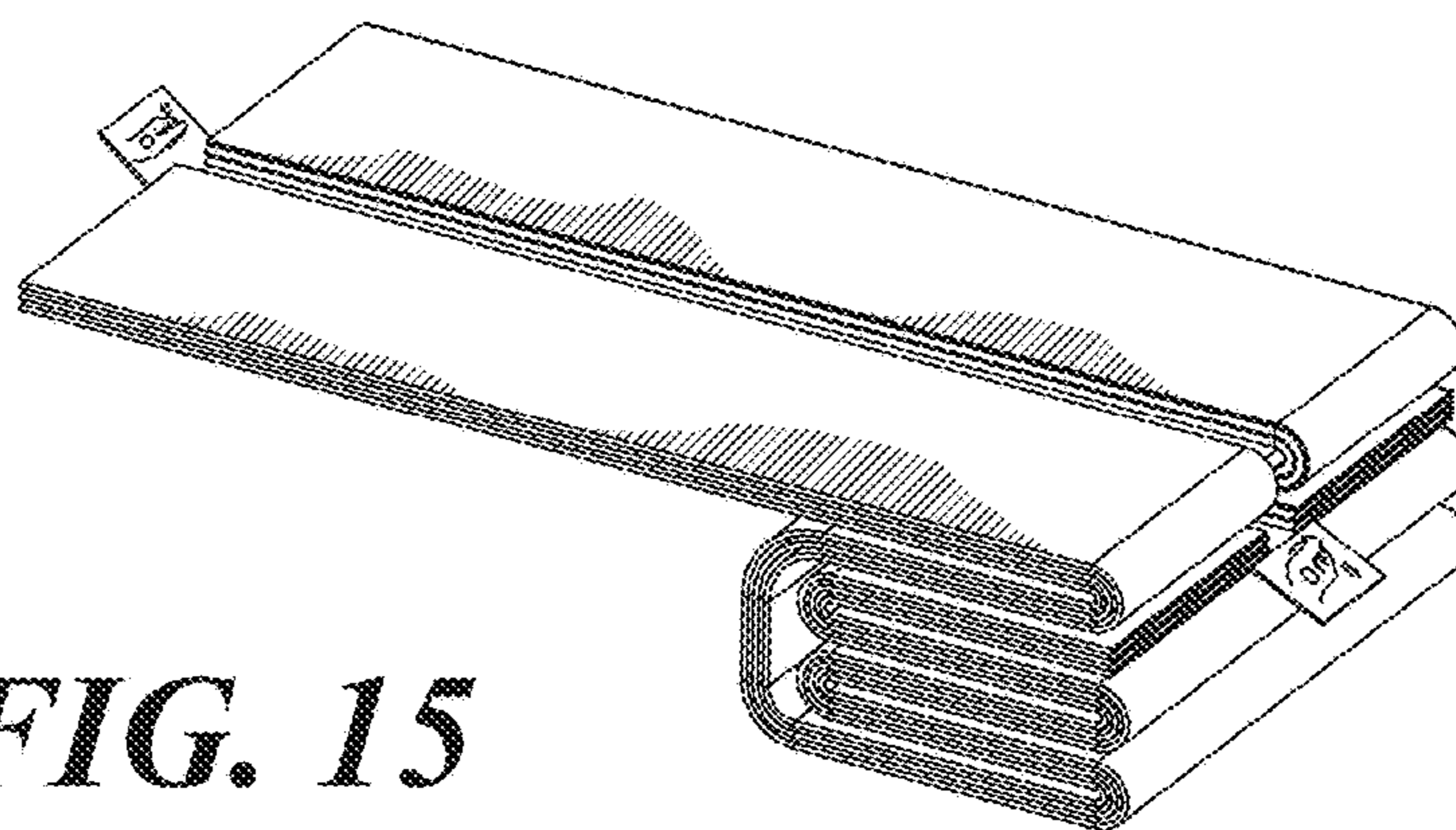


FIG. 15

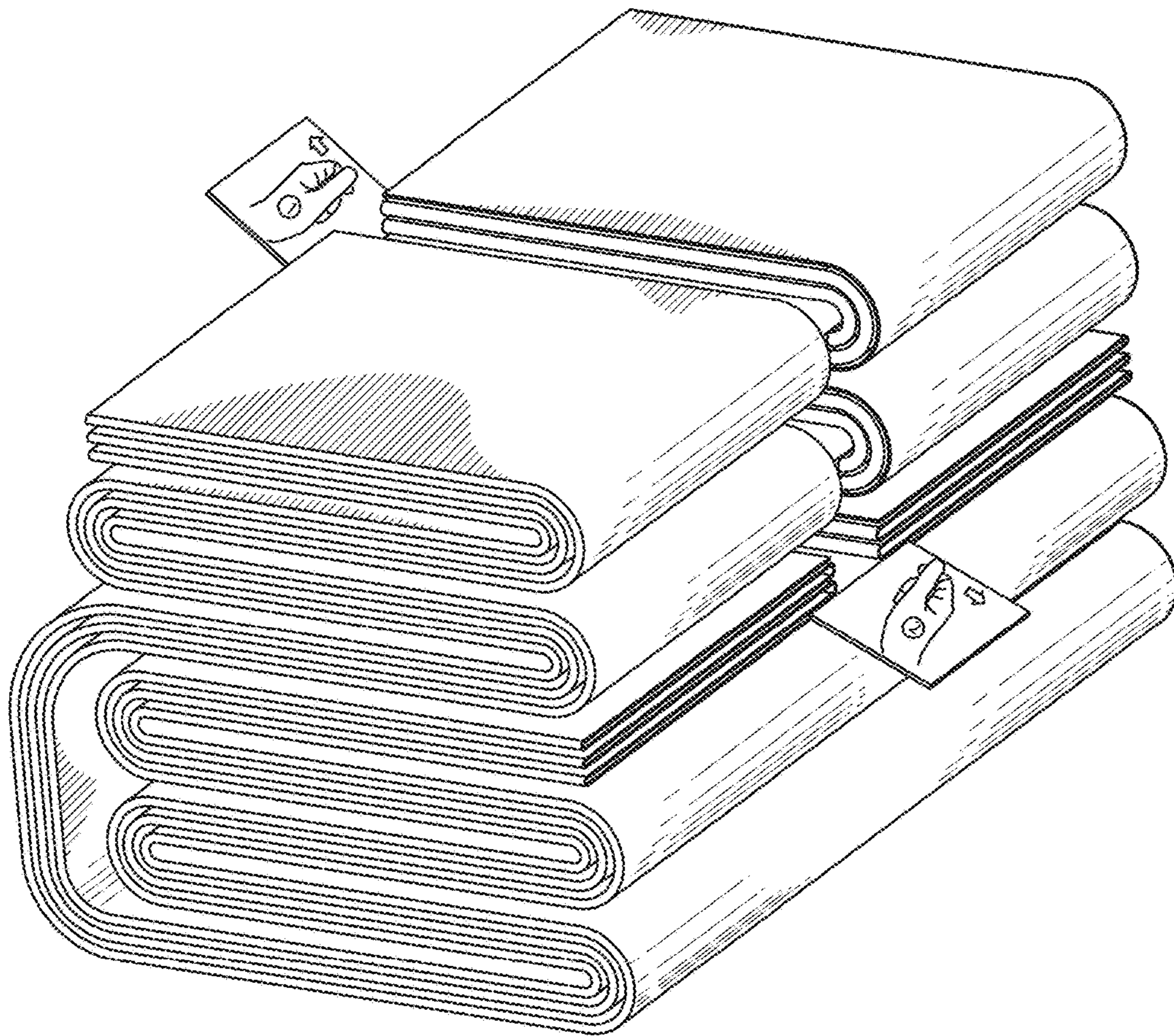


FIG. 16

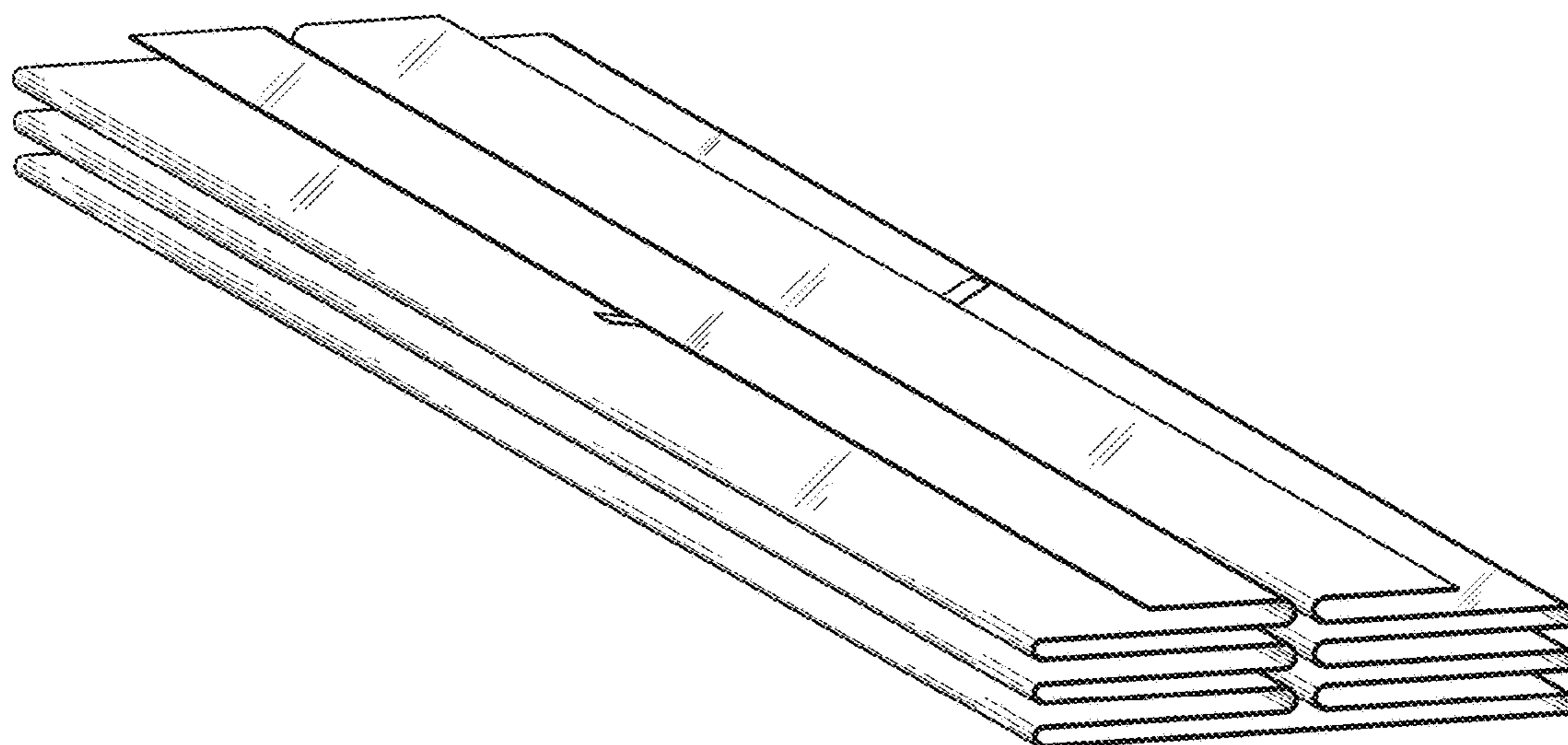


FIG. 17

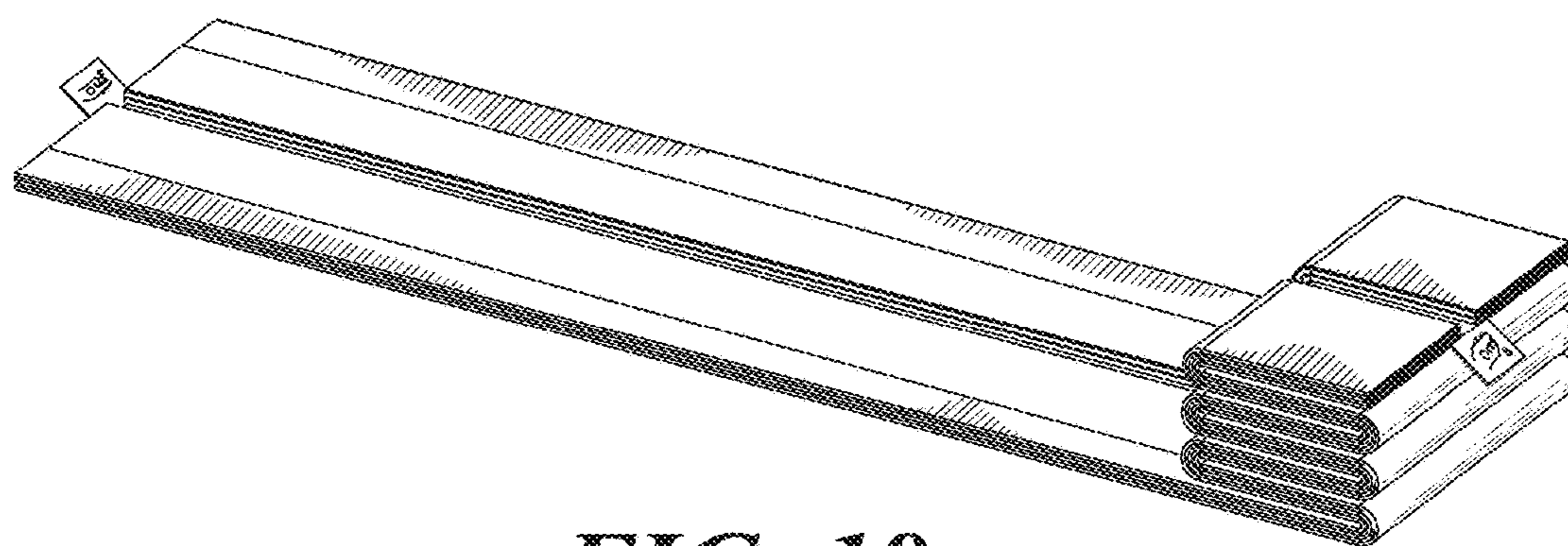


FIG. 18

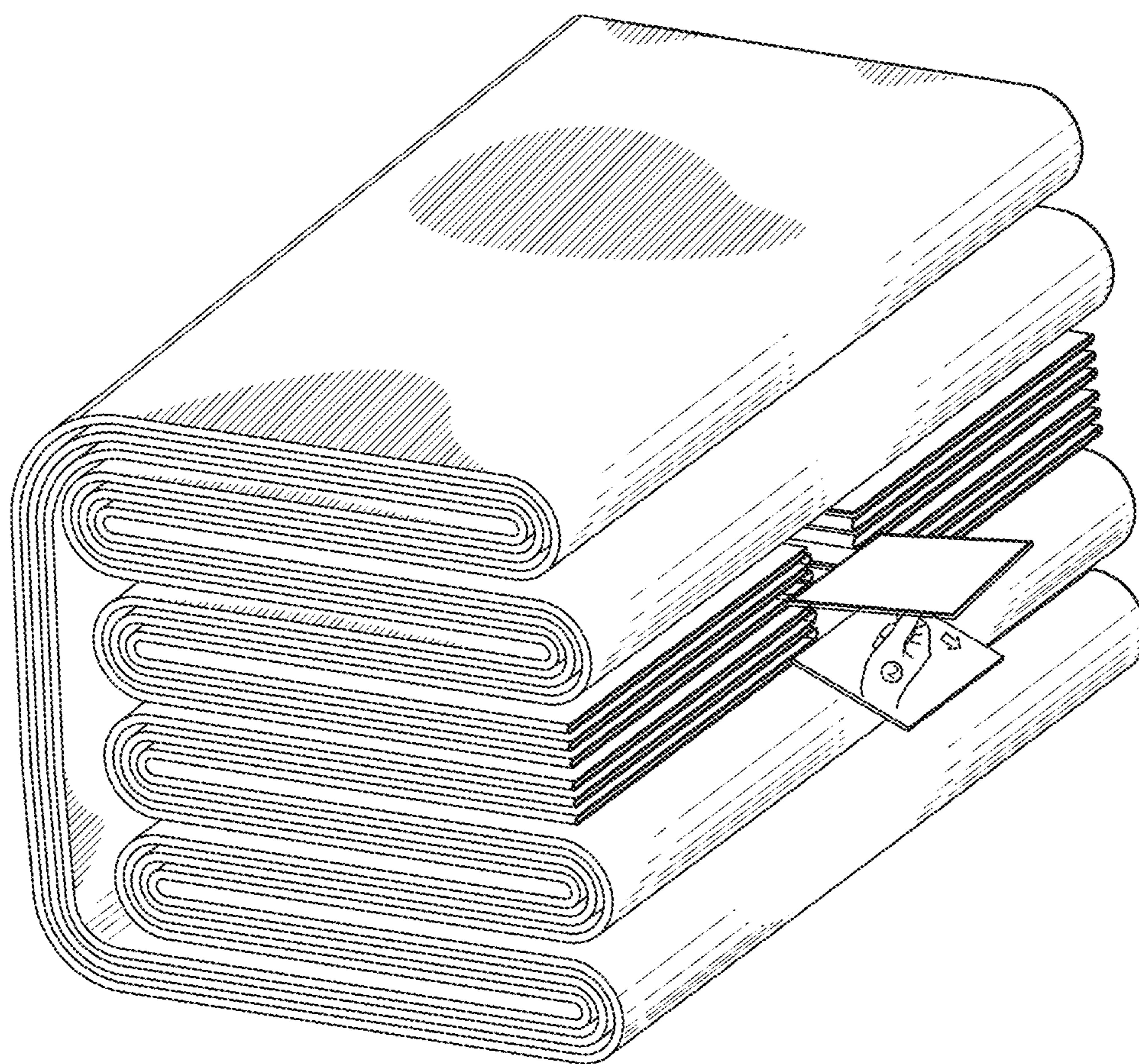


FIG. 19