



US00D796035S

(12) **United States Design Patent** (10) **Patent No.:** **US D796,035 S**
Turturro et al. (45) **Date of Patent:** **** Aug. 29, 2017**

- (54) **CONNECTOR**
- (71) Applicant: **Medline Industries, Inc.**, Mundelein, IL (US)
- (72) Inventors: **Michael Turturro**, Chicago, IL (US);
Gail Gewirtz, Northbrook, IL (US);
Craig Claussen, Schaumburg, IL (US);
Christopher Schall, Lake Villa, IL (US)
- (73) Assignee: **Medline Industries, Inc.**, Northfield, IL (US)

- D321,251 S 10/1991 Jepson
- D327,318 S 6/1992 Dudar
- D381,911 S 8/1997 Lathrop
- 5,810,167 A 9/1998 Fujii
- D425,677 S * 5/2000 Williamson D32/25
- D427,308 S * 6/2000 Zinger D24/129
- 6,585,229 B2 * 7/2003 Cote, Sr. A61M 39/02
251/149.1
- 6,595,964 B2 * 7/2003 Finley A61M 39/045
251/149.1
- D495,416 S * 8/2004 Dimeo A61J 1/2096
D24/108
- D630,318 S 1/2011 Goodwin
(Continued)

(**) Term: **15 Years**

(21) Appl. No.: **29/548,758**

(22) Filed: **Dec. 16, 2015**

Related U.S. Application Data

(62) Division of application No. 29/473,719, filed on Nov. 25, 2013, now Pat. No. Des. 746,446.

(51) **LOC (10) Cl.** **24-02**

(52) **U.S. Cl.**
USPC **D24/129**

(58) **Field of Classification Search**
USPC D24/127-131, 112-114, 133, 186;
606/181, 185; 604/264, 272, 115, 232,
604/187, 158, 164.08, 192, 263, 163, 181,
604/184, 198, 227; 600/101, 139, 143;
128/200.24, 207.14, 207.15
CPC A61M 39/14
See application file for complete search history.

(56) **References Cited**

U.S. PATENT DOCUMENTS

- 3,589,983 A 6/1971 Holderith
- D239,020 S 3/1976 Manschot
- 3,987,930 A 10/1976 Fuson
- D298,605 S 11/1988 Colgan

OTHER PUBLICATIONS

Connector believed to be made by Cedic SRL in Peschiera Borromeo, Milan, Italy presently believed to be publicly available at least as of Aug. 2013.

Primary Examiner — David Muller

Assistant Examiner — Nathan Johnston

(74) *Attorney, Agent, or Firm* — Fitch, Even, Tabin & Flannery LLP

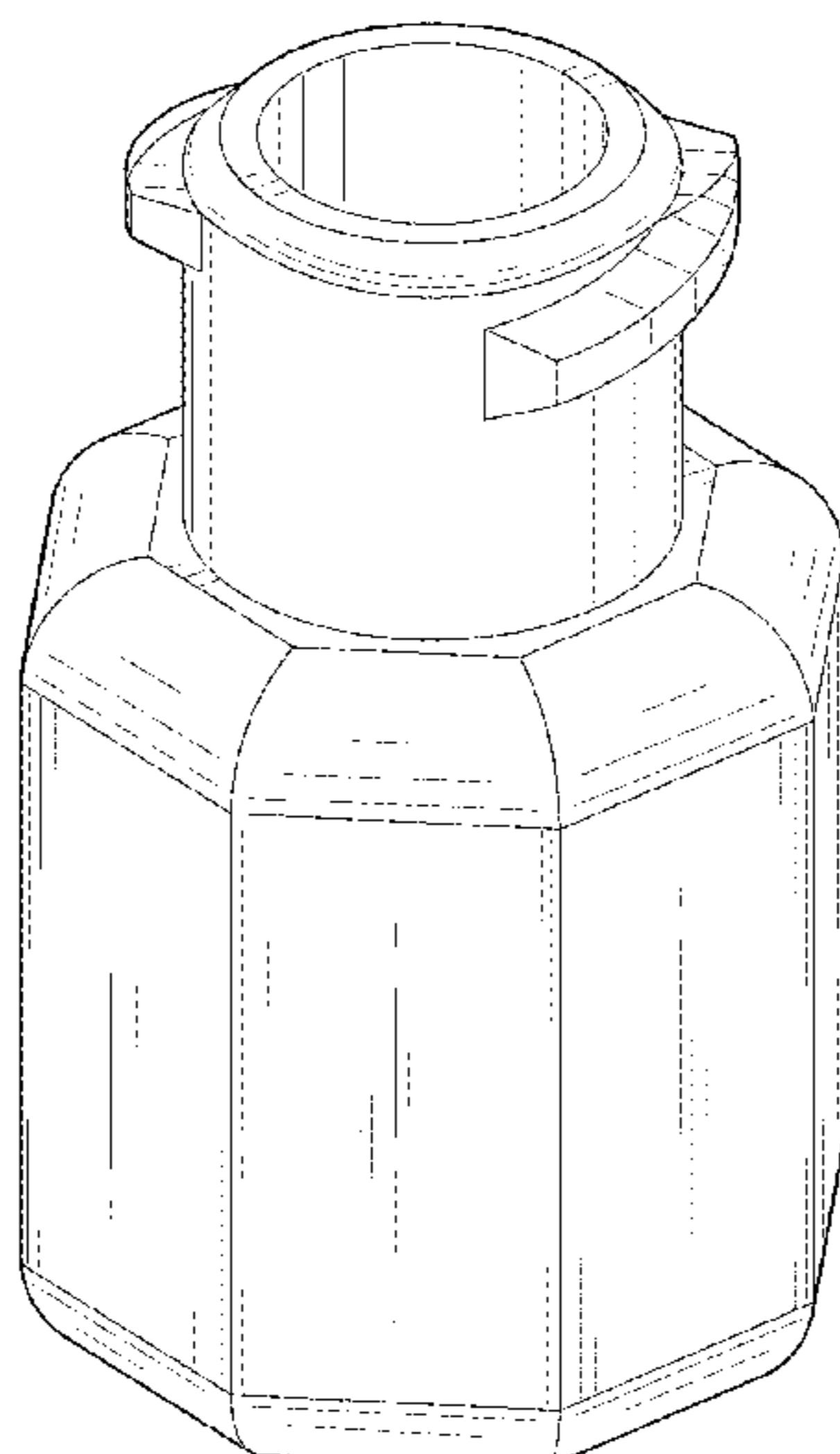
(57) **CLAIM**

We claim the ornamental design for a connector, as shown and described.

DESCRIPTION

FIG. 1 is a perspective view of a connector in accordance with our new design;
FIG. 2 is a front elevation view thereof, the rear elevation view being identical;
FIG. 3 is a right side elevation view thereof, the left side elevation view being identical;
FIG. 4 is a top plan view thereof; and,
FIG. 5 is a bottom plan view thereof.
The broken lines depict unclaimed environmental subject matter and form no part of the claimed design.

1 Claim, 4 Drawing Sheets



(56)

References Cited

U.S. PATENT DOCUMENTS

8,062,267 B2 * 11/2011 McKinnon A61M 39/045
604/201
D674,088 S * 1/2013 Lev D24/129
8,372,059 B2 2/2013 Ziman
8,409,145 B2 * 4/2013 Raymond A61M 5/14244
604/157
D691,261 S 10/2013 Kawamura
D703,519 S * 4/2014 Senseney D8/382
D708,946 S * 7/2014 Hutchison D9/447
8,905,994 B1 * 12/2014 Lev A61J 1/2089
141/330
D734,868 S * 7/2015 Gilboa D24/231
D746,446 S 12/2015 Turturro
D750,775 S * 3/2016 Carrel D24/130
2012/0271246 A1 10/2012 Guala
2013/0012881 A1 1/2013 Lacy

* cited by examiner

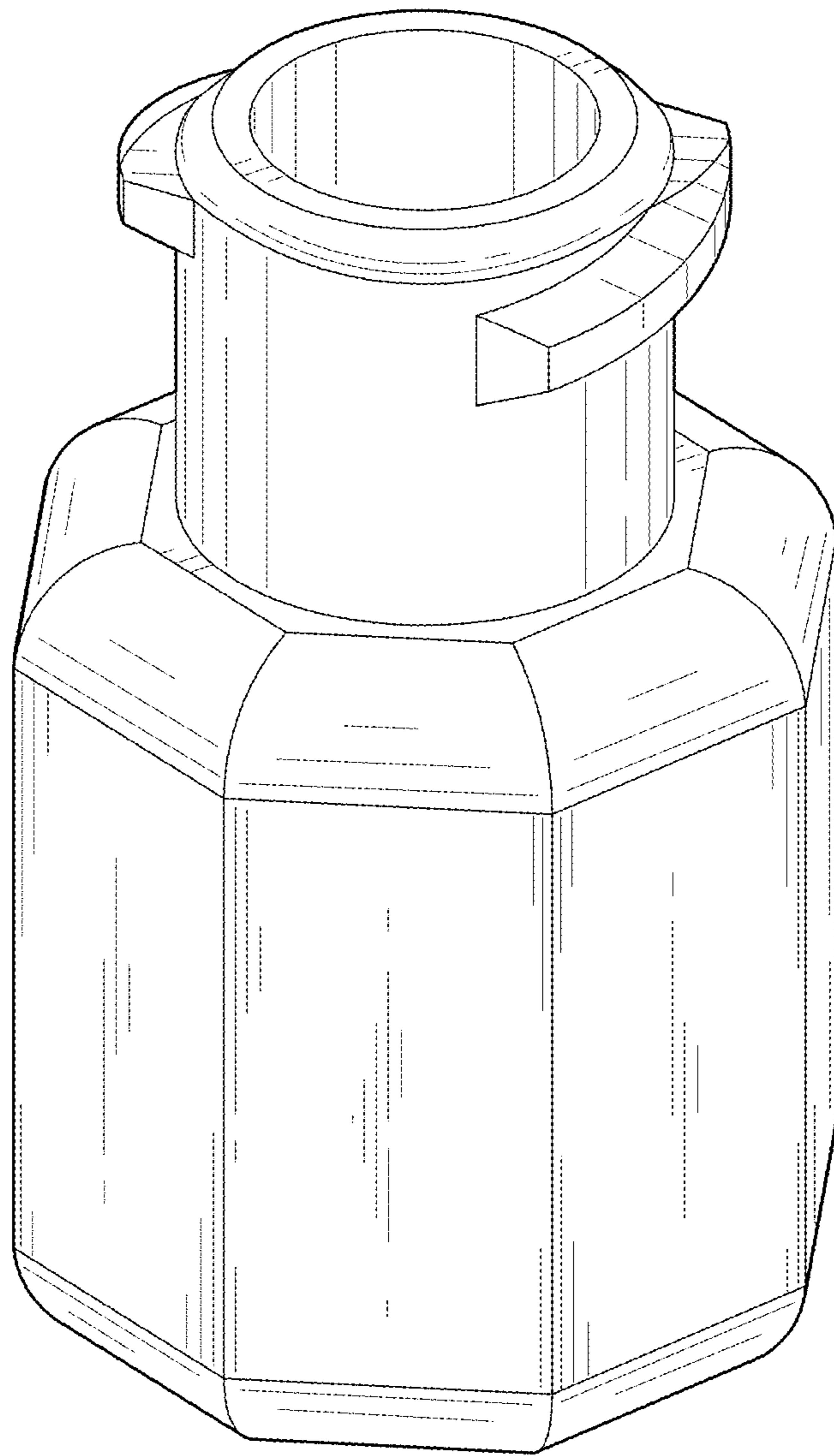


FIG. 1

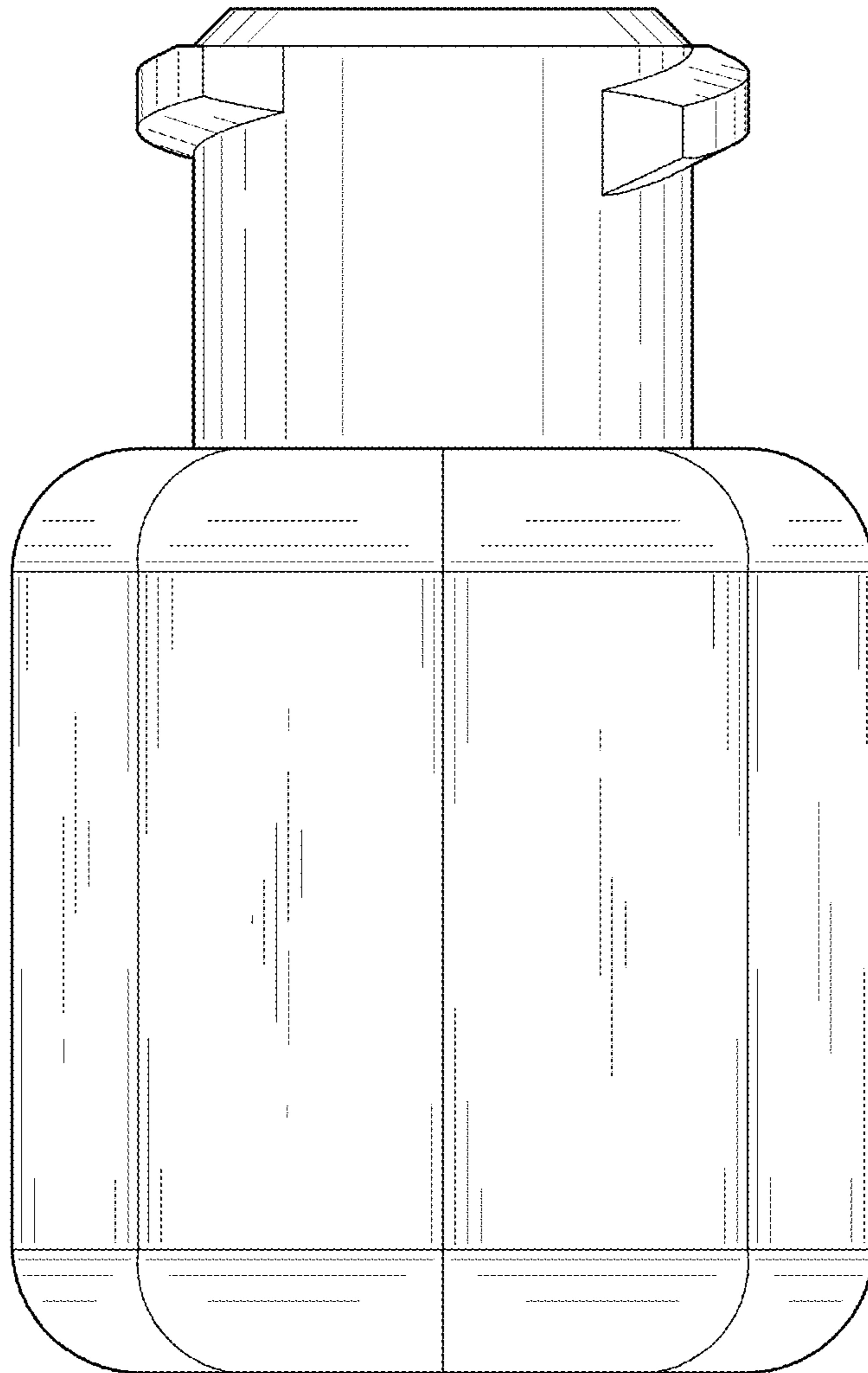


FIG. 2

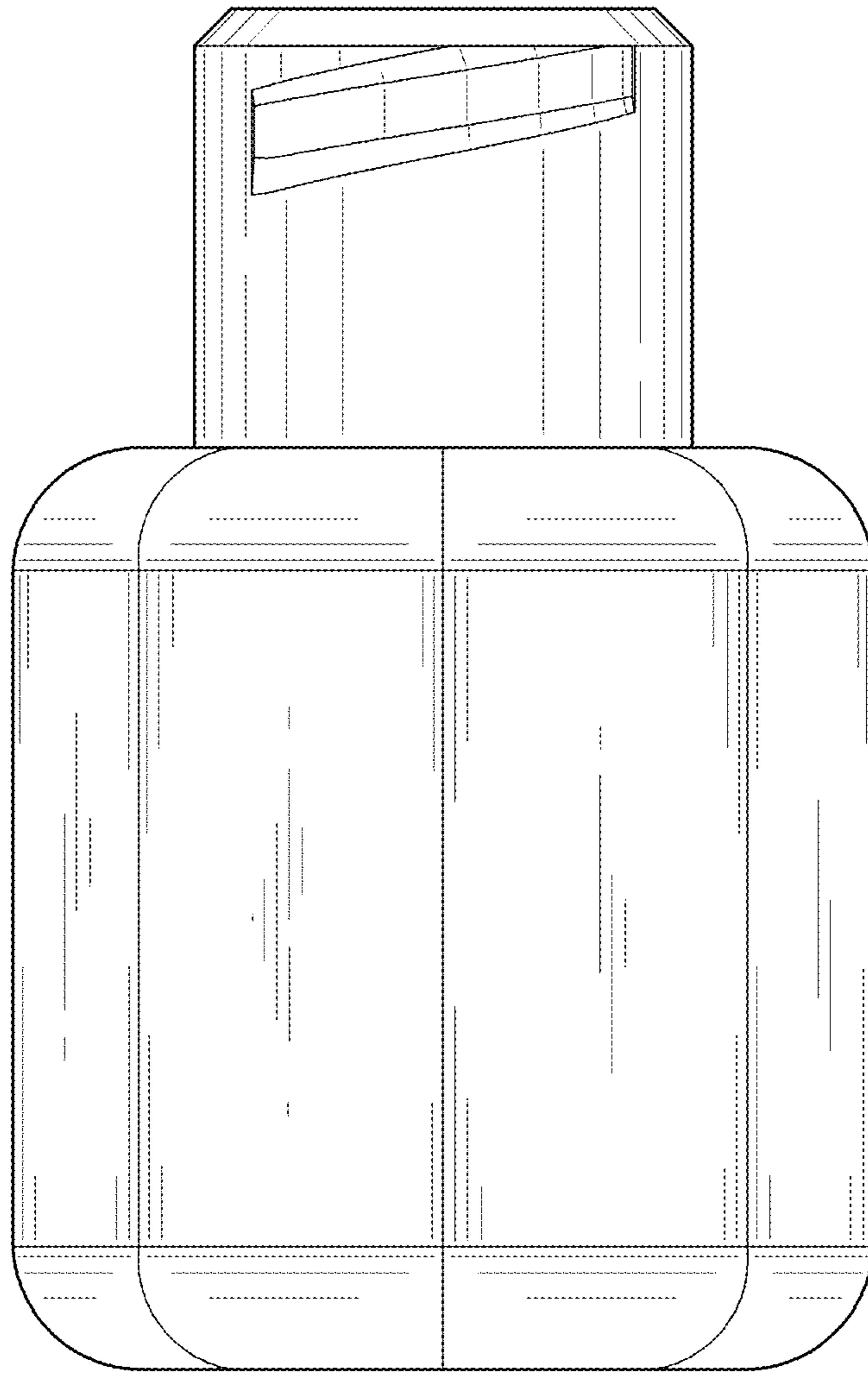


FIG. 3

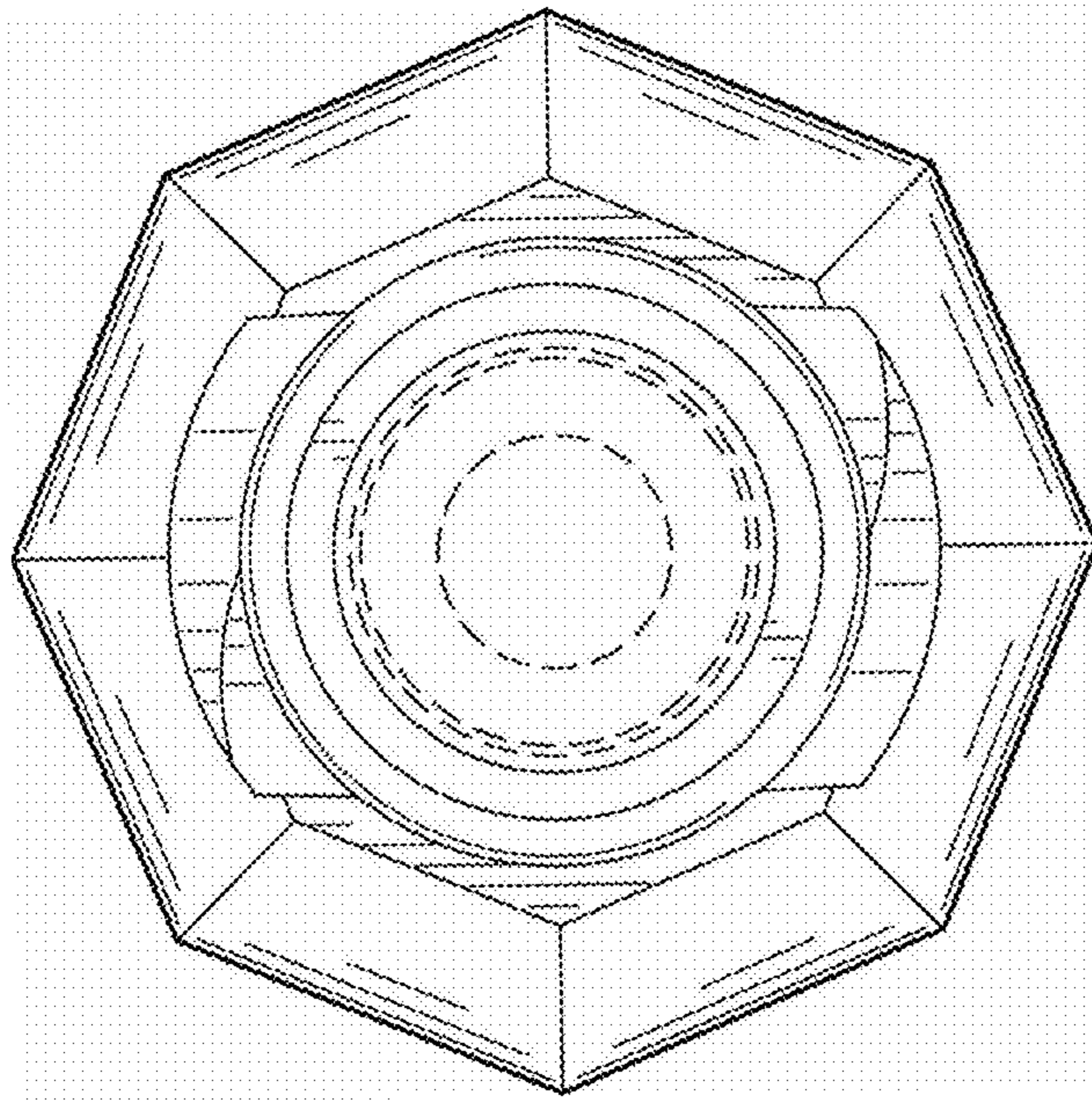


FIG. 4

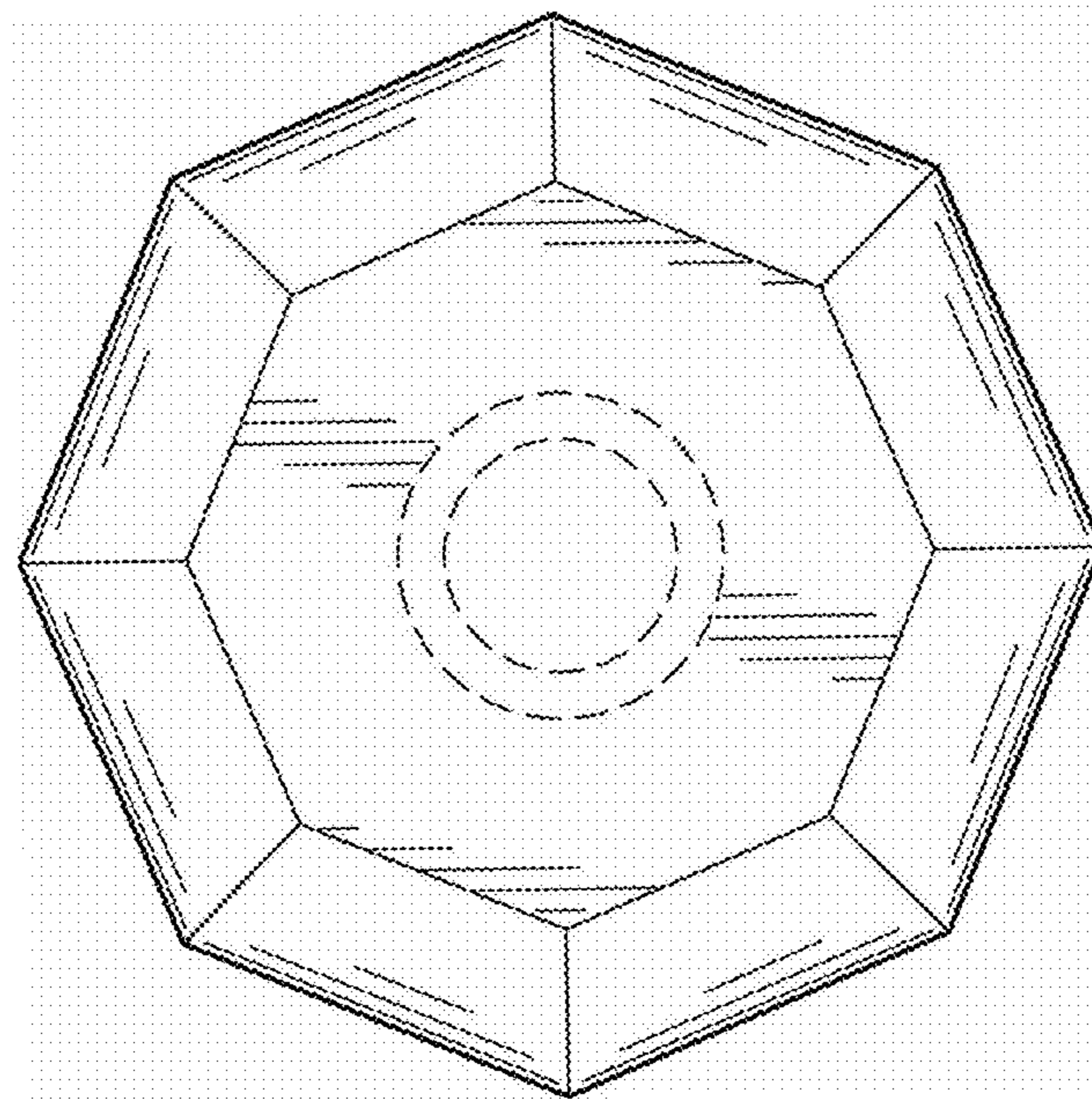


FIG. 5