



US00D796034S

(12) **United States Design Patent**  
**Gilbert et al.**

(10) **Patent No.:** **US D796,034 S**

(45) **Date of Patent:** **\*\* Aug. 29, 2017**

(54) **TUBING CONNECTOR FOR A BREASTMILK SYSTEM**

(71) Applicant: **MEDELA HOLDING AG**, Baar (CH)

(72) Inventors: **Deanna Gilbert**, Arlington Heights, IL (US); **Kathryn Mizuchi**, Round Lake Beach, IL (US); **David Cho**, Arlington Heights, IL (US); **Federico Ferretti**, Cesena (IT); **Emanuele Teobaldo**, Milan (IT); **Elisa Cucchetto**, Milan (IT); **Jennifer Ashman-Stauss**, Cincinnati, OH (US)

(73) Assignee: **MEDELA HOLDING AG**, Baar (CH)

(\*\*) Term: **14 Years**

(21) Appl. No.: **29/523,644**

(22) Filed: **Apr. 13, 2015**

(51) **LOC (10) Cl.** ..... **24-02**

(52) **U.S. Cl.**  
USPC ..... **D24/129**

(58) **Field of Classification Search**  
USPC ..... D24/127-131, 112-114, 133, 186; 606/181, 185; 604/264, 523-528, 272, 604/187, 158, 164.01-164.11, 181, 184, 604/227; 600/101, 139, 143; 128/200.24, 207.14, 207.15  
CPC .. A61M 25/065; A61M 5/42; A61M 25/0612; A61M 25/00; A61M 39/00; A61M 27/00; A61M 25/0043; A61M 25/0067; A61M 25/0097; A61F 2/958  
See application file for complete search history.

(56) **References Cited**

**U.S. PATENT DOCUMENTS**

D369,409 S \* 4/1996 Salter ..... D24/129  
D397,784 S \* 9/1998 Piontek ..... D24/108

D423,670 S \* 4/2000 Scheuble ..... D24/130  
6,260,890 B1 \* 7/2001 Mason ..... F16L 19/065  
285/332  
6,543,138 B1 \* 4/2003 Berry ..... A61M 39/1011  
285/242  
D483,869 S \* 12/2003 Tran ..... D24/129  
7,150,370 B2 12/2006 Pyun  
D549,822 S \* 8/2007 Santora, Jr. .... D24/129  
D551,344 S \* 9/2007 Santora, Jr. .... D24/129  
D607,999 S \* 1/2010 Holmes ..... D24/130  
D661,391 S \* 6/2012 McLain ..... D24/133  
8,192,396 B2 6/2012 Annis et al.  
D709,187 S \* 7/2014 Li ..... A61M 39/00  
D24/129  
D719,258 S \* 12/2014 Li ..... D24/129

(Continued)

*Primary Examiner* — David Muller

(74) *Attorney, Agent, or Firm* — Marshall, Gerstein & Borun LLP

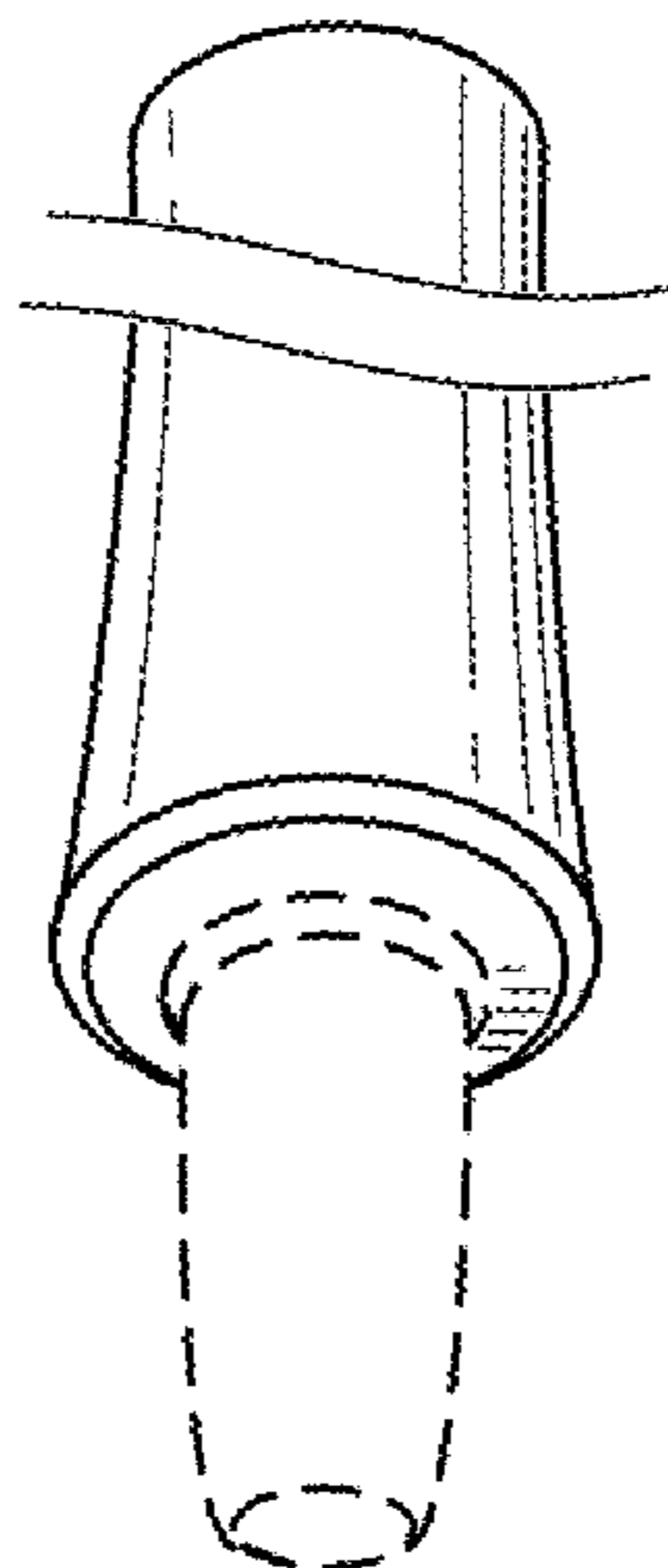
(57) **CLAIM**

The ornamental design for a tubing connector for a breastmilk system, as shown and described.

**DESCRIPTION**

FIG. 1 is a perspective view of a tubing connector for a breastmilk system of the present invention;  
FIG. 2 is a top view of the tubing connector for a breastmilk system illustrated in FIG. 1;  
FIG. 3 is a front view of the tubing connector for a breastmilk system illustrated in FIG. 1, a rear view being a mirror image thereof; and,  
FIG. 4 is a bottom view of the tubing connector for a breastmilk system illustrated in FIG. 1.  
The broken lines in the drawing figures form no part of the claimed design. The tubing connector is shown with a symbolic break in its length. The appearance of any portion of the article between the break lines forms no part of the claimed design.

**1 Claim, 1 Drawing Sheet**



(56)

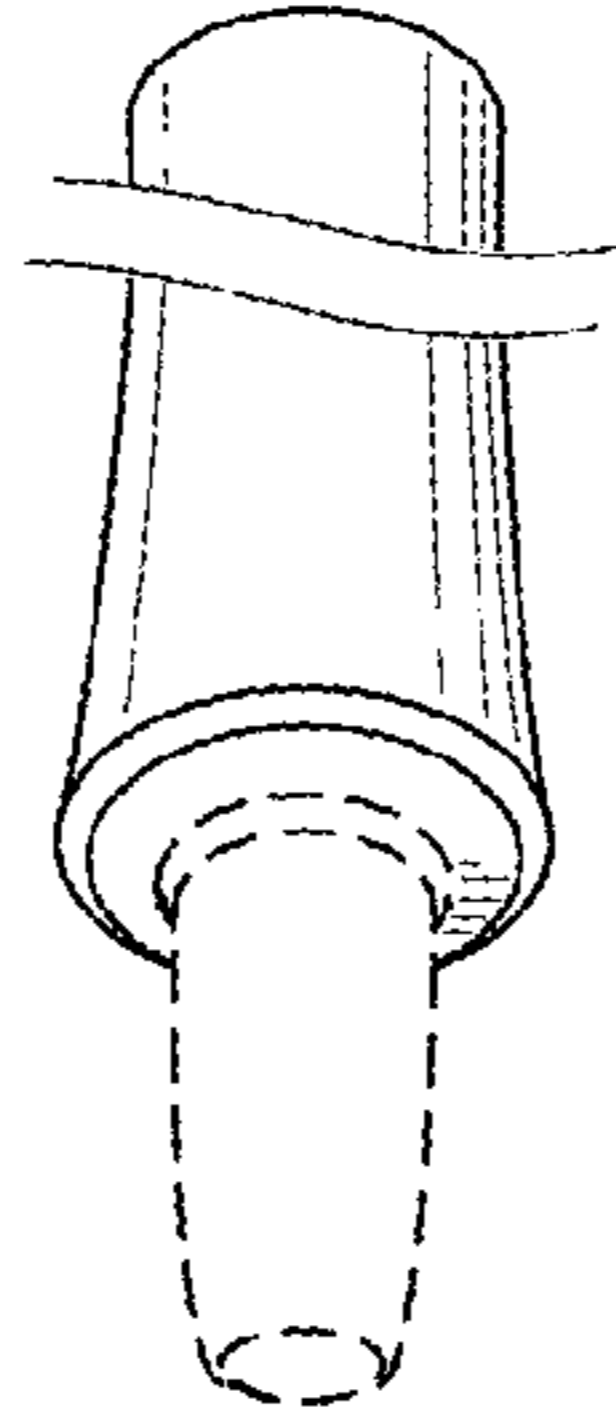
**References Cited**

U.S. PATENT DOCUMENTS

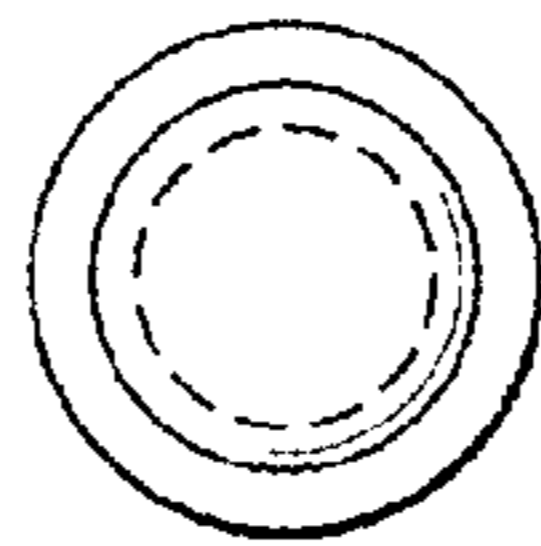
D785,170 S \* 4/2017 Swisher ..... D24/129  
2010/0289259 A1 11/2010 Luzbetak et al.

\* cited by examiner

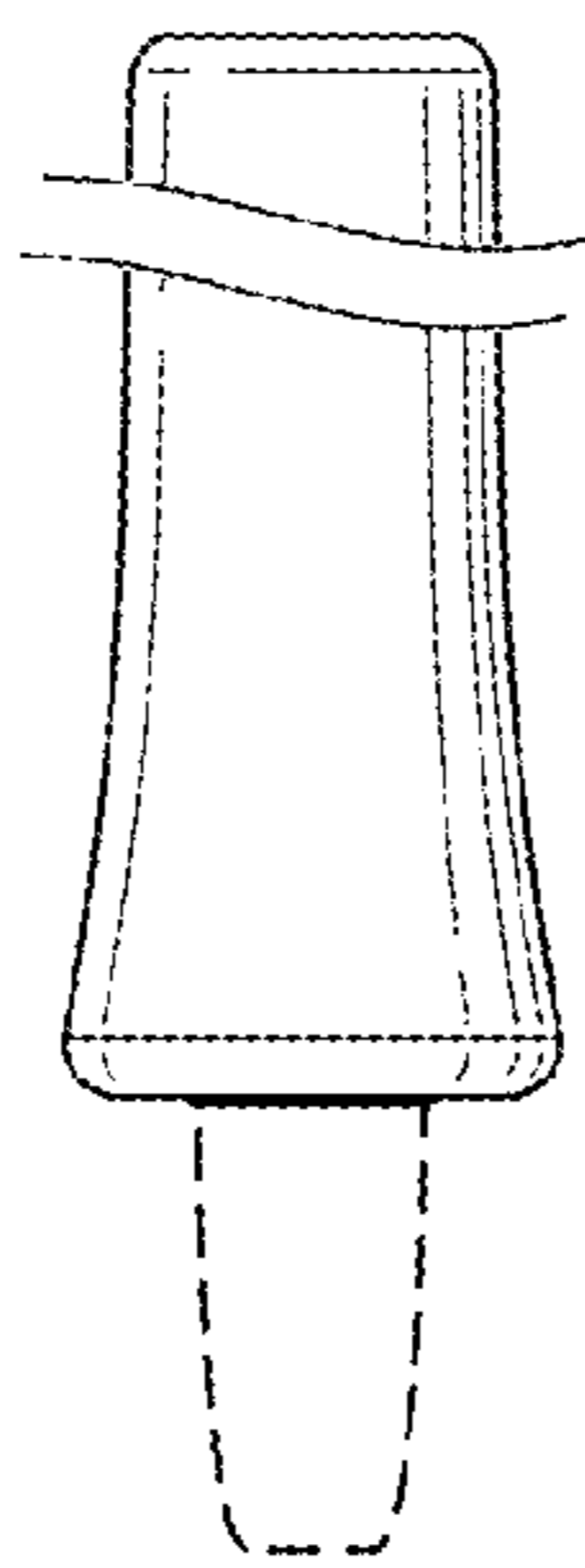
**Fig. 1**



**Fig. 2**



**Fig. 3**



**Fig. 4**

