



US00D796026S

(12) **United States Design Patent** (10) **Patent No.:** **US D796,026 S**
Holtz (45) **Date of Patent:** **** Aug. 29, 2017**

(54) **CONNECTOR FOR BREAST PUMP**

FOREIGN PATENT DOCUMENTS

(71) Applicant: **MEDELA HOLDING AG**, Baar (CH)

CN	202154891 U	3/2012
JP	1488466	1/2014
WO	WO-2012/127405 A1	9/2012

(72) Inventor: **Raymond Holtz**, Chicago, IL (US)

OTHER PUBLICATIONS

(73) Assignee: **MEDELA HOLDING AG**, Baar (CH)

Color photograph, Richell Co., downloaded from the Internet at <<http://baby.richell.co.jp/view.html?gid+20961>> (Jan. 6, 2015).
 Color photograph, Fit Pregnancy, American Media Inc., Jun. 4, 2010.

(**) Term: **15 Years**

* cited by examiner

(21) Appl. No.: **29/535,563**

(22) Filed: **Aug. 7, 2015**

(51) **LOC (10) Cl.** **24-02**

Primary Examiner — Barbara Fox

(52) **U.S. Cl.**

Assistant Examiner — Lilyana Bekic

USPC **D24/109**

(74) *Attorney, Agent, or Firm* — Marshall, Gerstein & Borun LLP

(58) **Field of Classification Search**

(57) **CLAIM**

USPC D24/108, 109, 127; 604/74–76; D9/500, D9/549

The ornamental design for a connector for breast pump, as shown and described.

CPC A61M 1/062; A61M 1/06; A61M 1/066; A61M 1/064; A61J 9/00; A61J 9/001

DESCRIPTION

See application file for complete search history.

FIG. 1 is a left, front perspective view of a connector for breast pump of the present invention;
 FIG. 2 is a front elevational view thereof;
 FIG. 3 is a rear elevational view thereof;
 FIG. 4 is a right side elevational view thereof;
 FIG. 5 is a left side elevational view thereof;
 FIG. 6 is a top view thereof; and,
 FIG. 7 is a bottom view thereof.

The broken lines in the drawings illustrate portions of the connector for breast pump that form no part of the claimed design. The diagonal shade lines in the drawings indicate transparency.

(56) **References Cited**

U.S. PATENT DOCUMENTS

5,749,850 A	5/1998	Williams et al.	
D500,551 S *	1/2005	Lantz	D24/109
D609,330 S *	2/2010	Paterson	D24/109
D609,331 S *	2/2010	Paterson	D24/109
8,187,227 B2	5/2012	Luzbetak et al.	
8,945,046 B2	2/2015	Brittner	
D776,803 S *	1/2017	Gilbert	D24/109
2010/0324477 A1 *	12/2010	Paterson	A61M 1/0072 604/74
2013/0123688 A1	5/2013	Bosman et al.	
2013/0245548 A1	9/2013	Cook et al.	

1 Claim, 4 Drawing Sheets

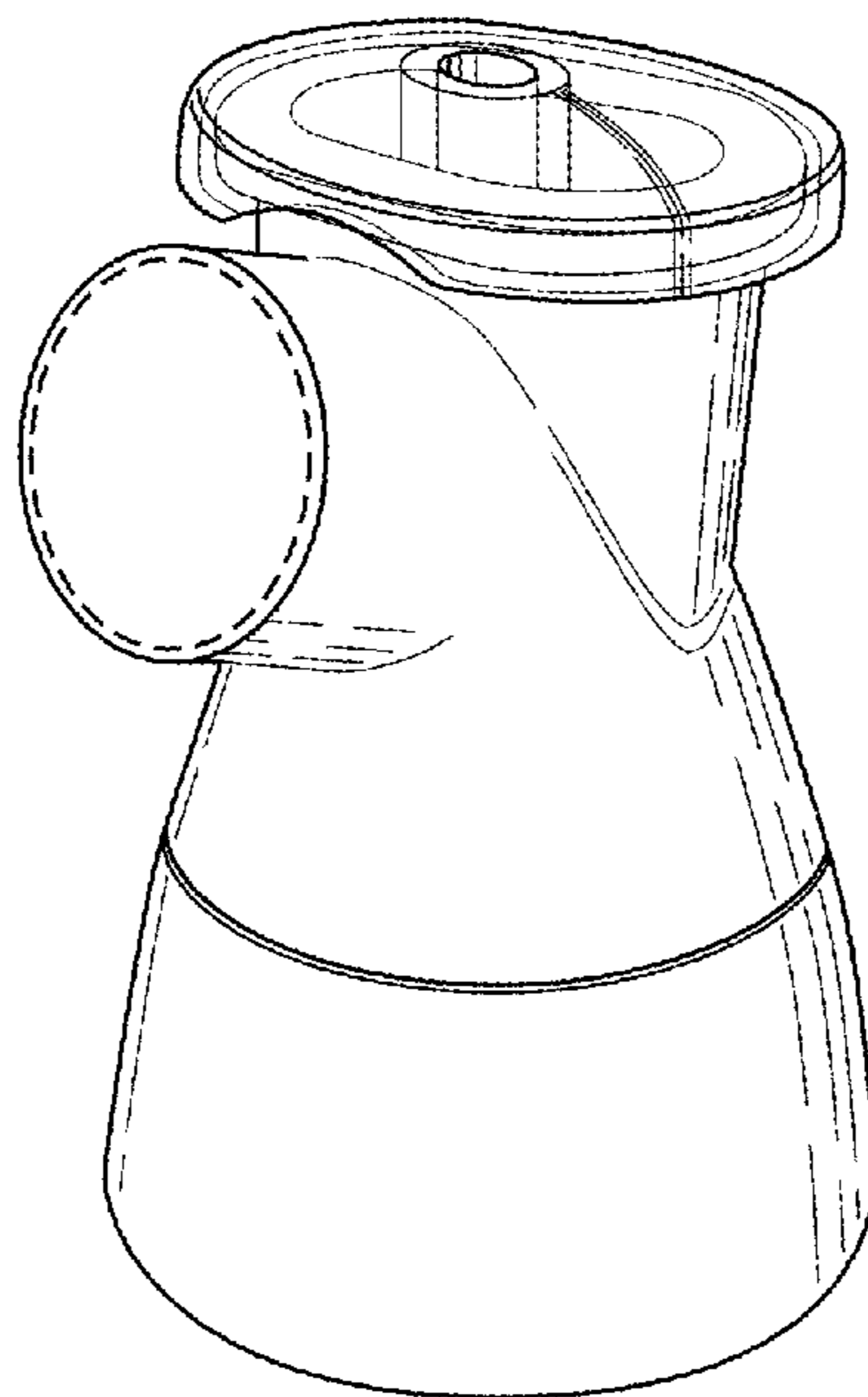


Fig. 1

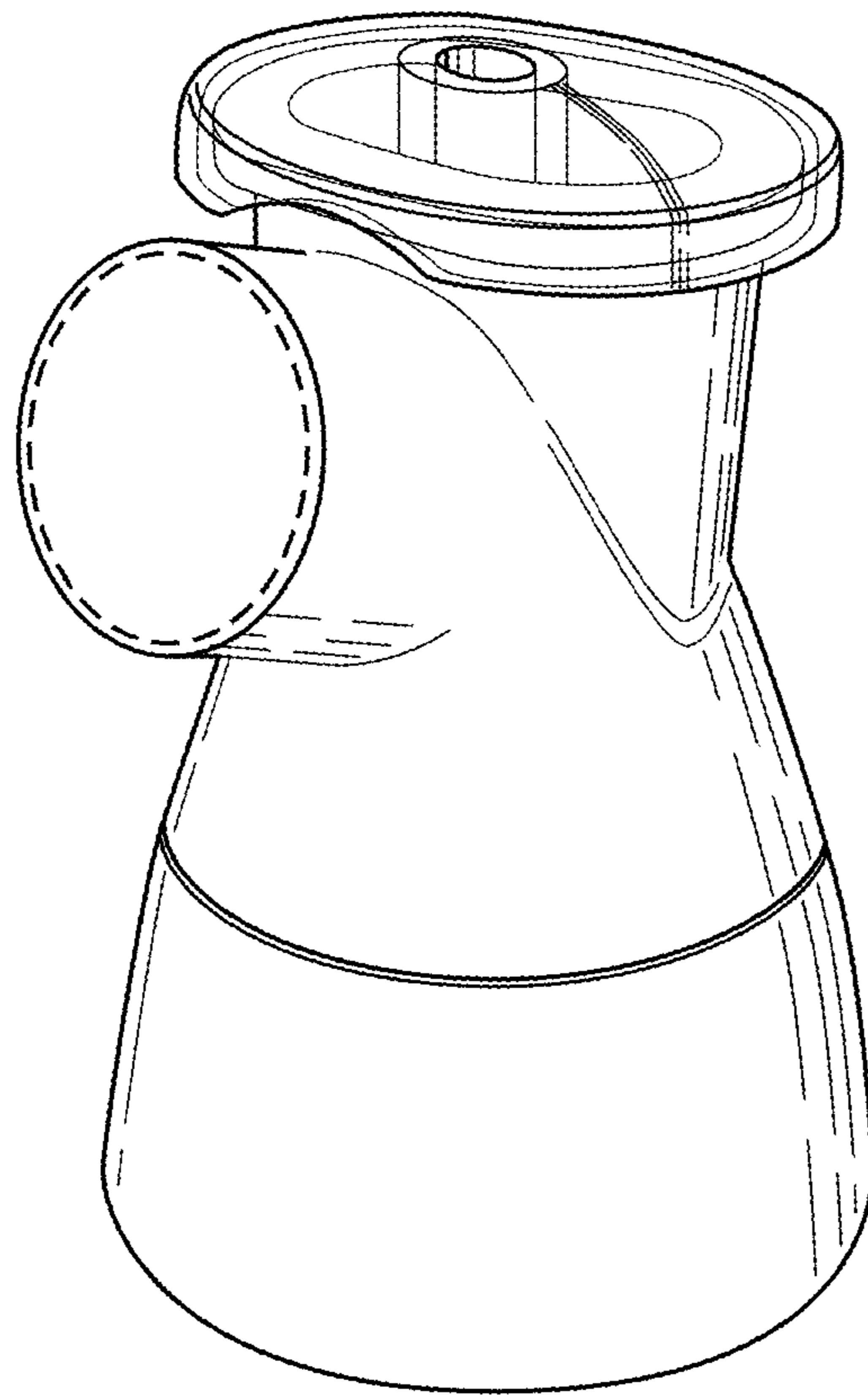


Fig. 2

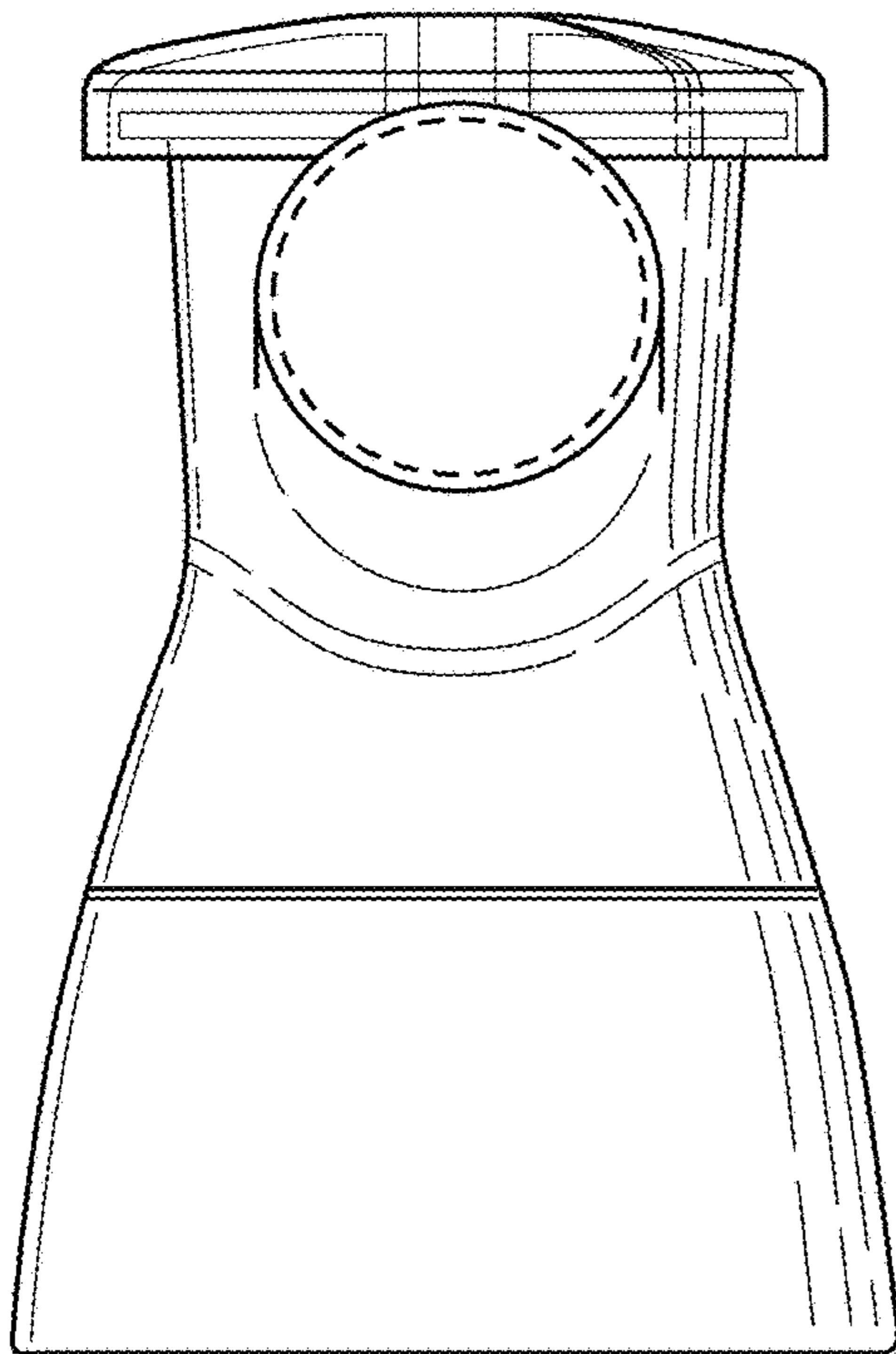


Fig. 3

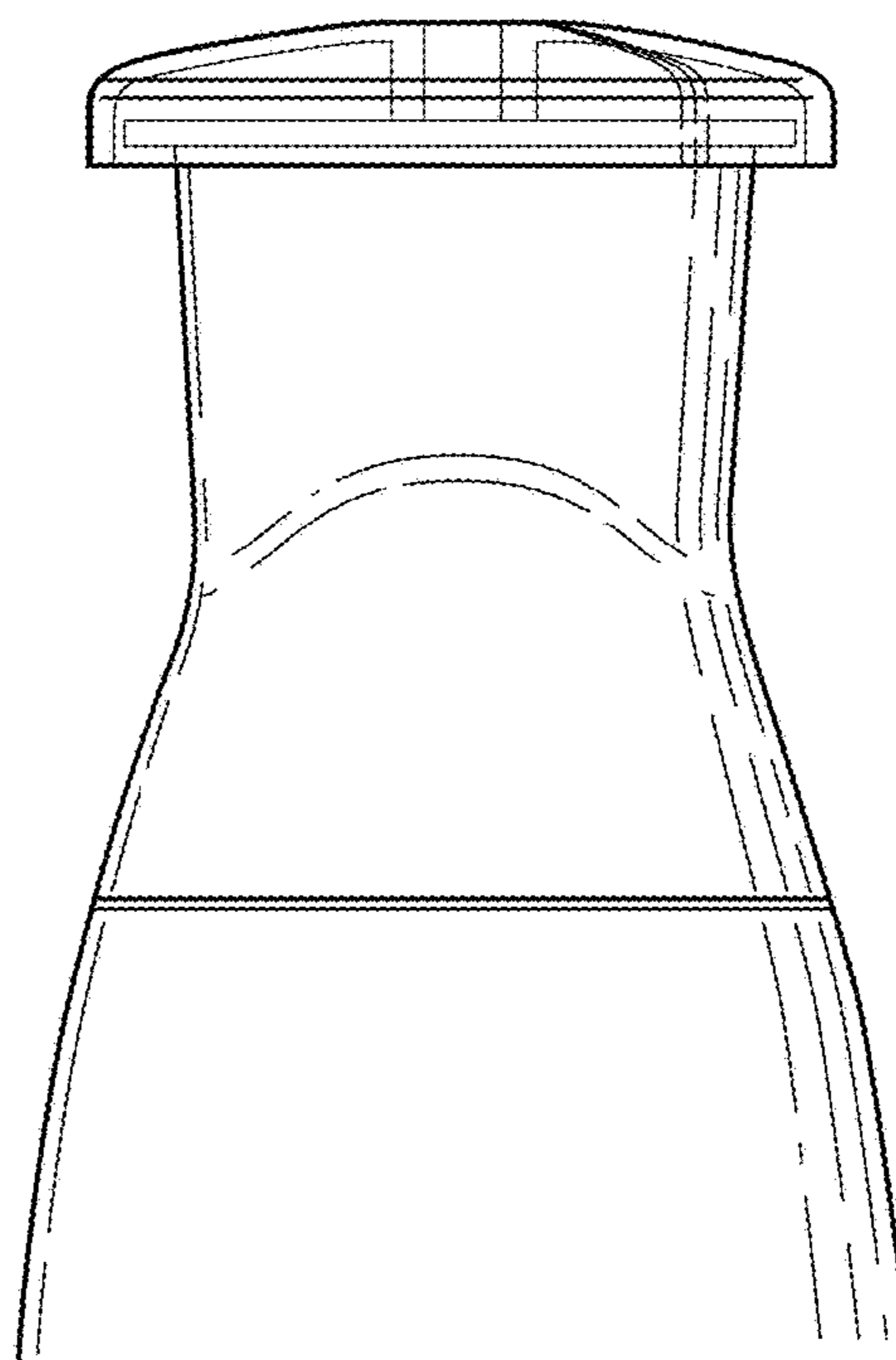


Fig. 4

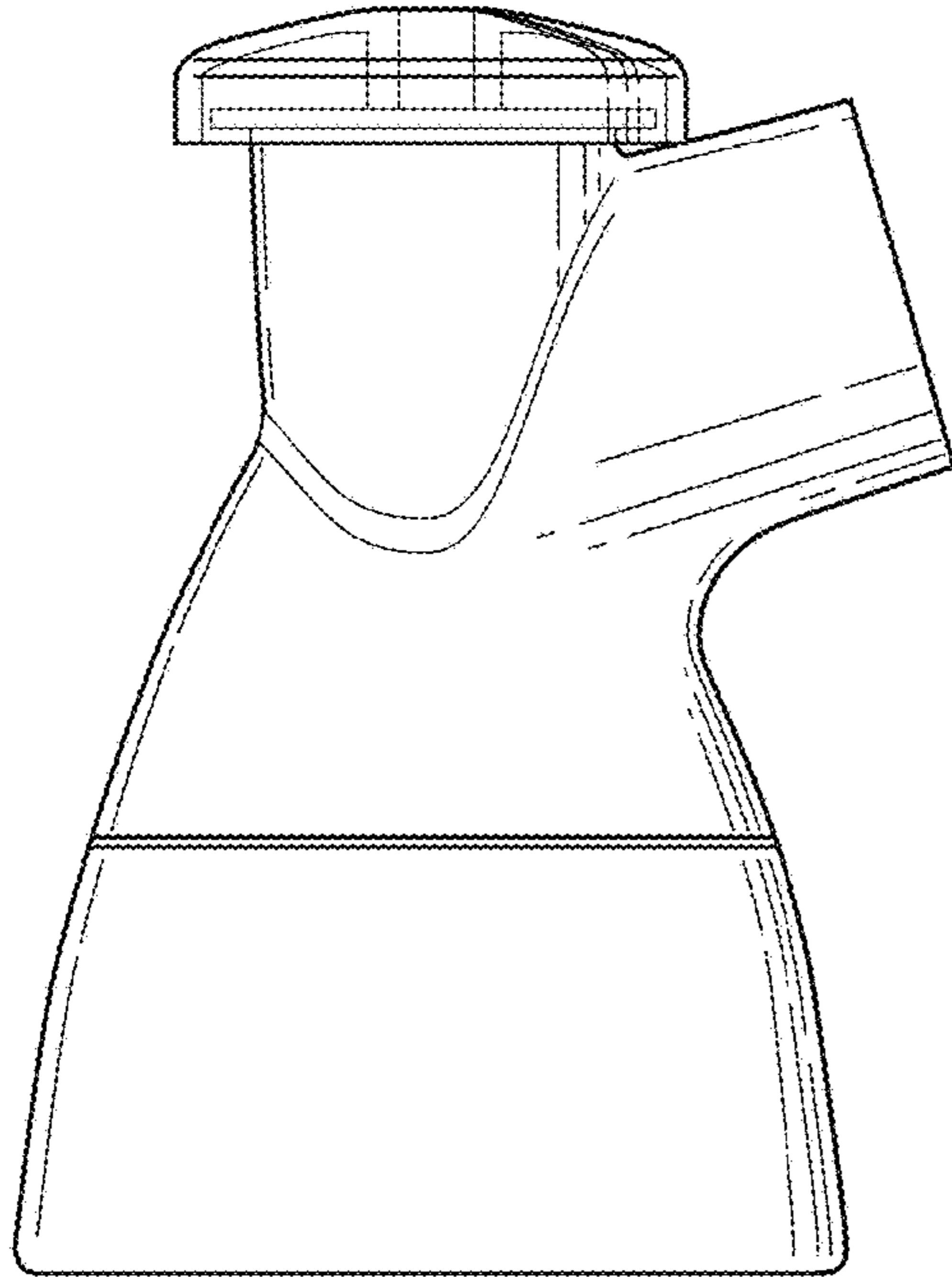


Fig. 5

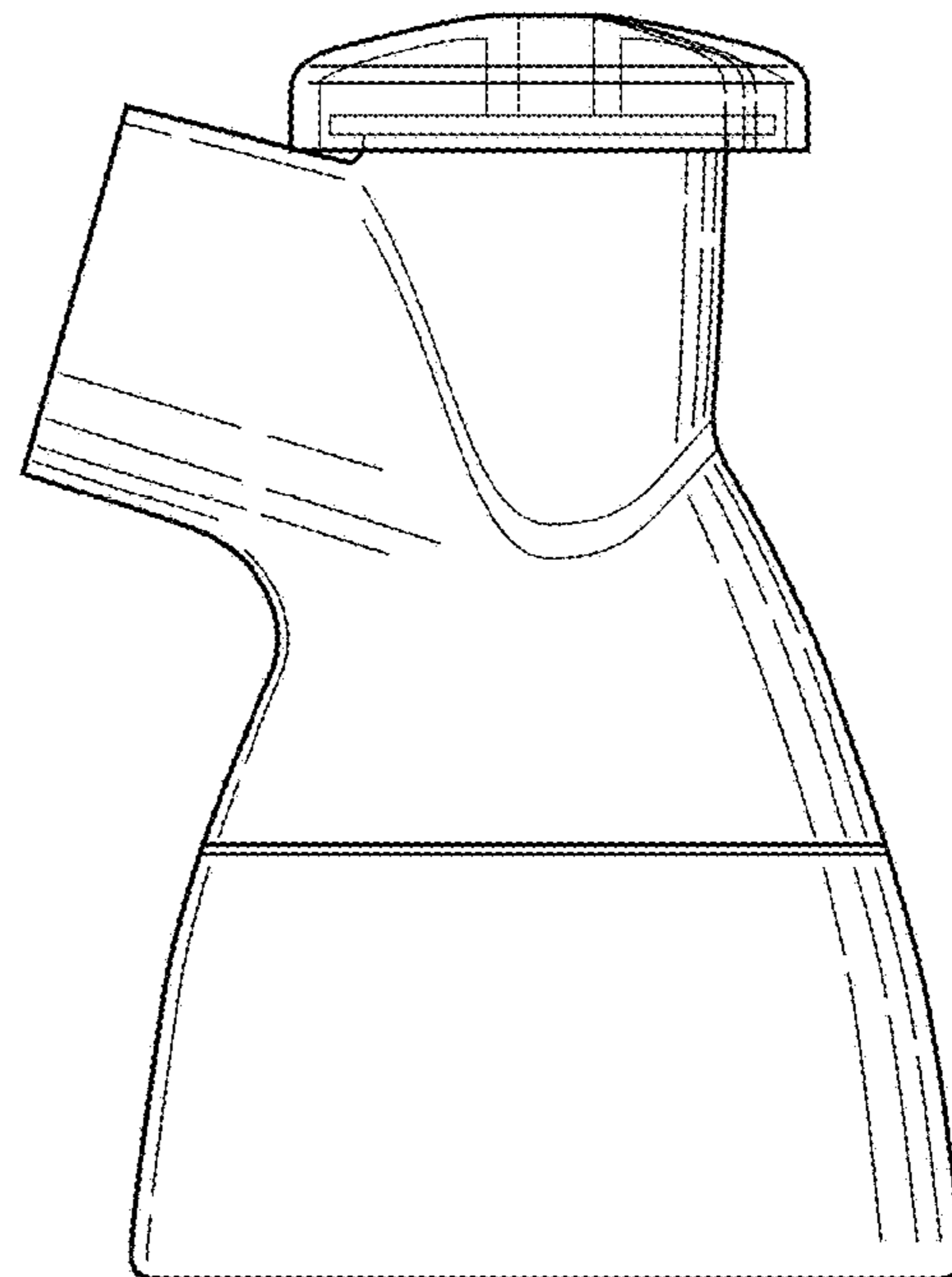


Fig. 6

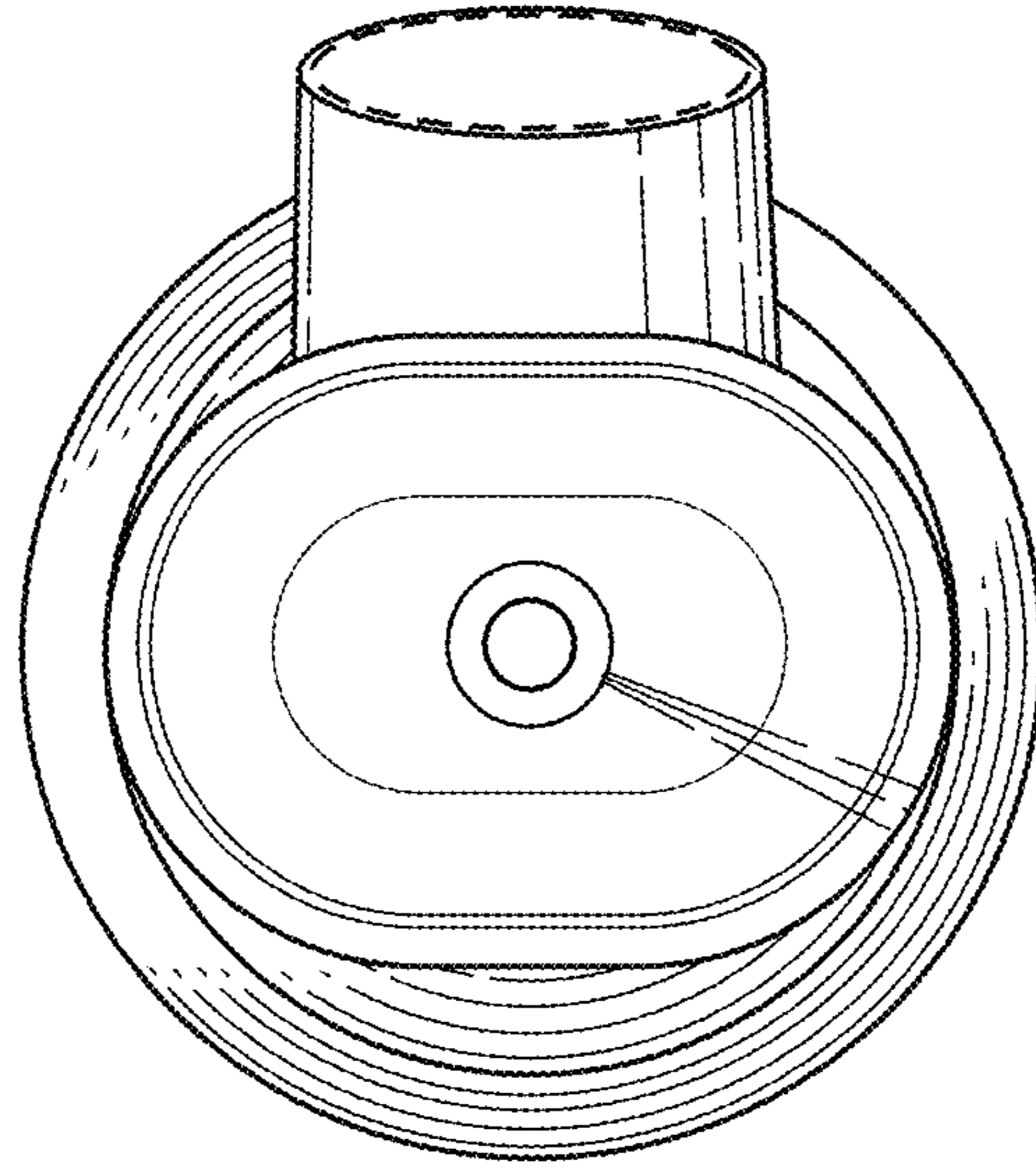


Fig. 7

