



US00D796025S

(12) **United States Design Patent** (10) **Patent No.:** **US D796,025 S**
Lo (45) **Date of Patent:** **** Aug. 29, 2017**

(54) **TRAINING INJECTOR**
(71) Applicant: **CAREBAY EUROPE LTD**, Swatar (MT)
(72) Inventor: **Yi-Wen Lo**, Taiwan (CN)
(73) Assignee: **CAREBAY EUROPE LTD**, Sliema (MT)
(**) Term: **15 Years**
(21) Appl. No.: **29/554,995**
(22) Filed: **Feb. 17, 2016**
(51) **LOC (10) Cl.** **24-01**
(52) **U.S. Cl.**
USPC **D24/108; D24/111; D24/113**
(58) **Field of Classification Search**
USPC D24/107, 108, 111-113, 169, 185, 188; D19/163, 181; D28/85
CPC A61M 5/142; A61M 2005/14208; A61M 5/14212; A61M 5/14228; A61M 5/14232; A61M 5/145; A61M 5/1456; A61M 5/14566; A61M 5/1458; A61M 5/1452; A61M 2205/505; A61M 5/14244; A61M 5/1723; A61M 2205/52; A61M 5/2033; A61M 5/3202; A61M 2005/206; A61M 5/24; A61M 5/326; A61M 5/20; A61M 2005/2026; G06F 19/3468
See application file for complete search history.

(56) **References Cited**
U.S. PATENT DOCUMENTS
D201,420 S * 6/1965 Bernard D28/85
D382,369 S * 8/1997 Yang D28/85
D497,038 S * 10/2004 Tsai D28/85
D548,336 S * 8/2007 Galbraith D24/114
D566,762 S * 4/2008 Qiu D19/163
D673,264 S * 12/2012 Kunze D24/113
D697,205 S * 1/2014 Schneider D24/113

D727,140 S * 4/2015 Lehanneur D9/414
9,180,259 B2 * 11/2015 Lesch, Jr. A61M 5/2033
D757,254 S * 5/2016 Wohlfahrt D24/113
D757,255 S * 5/2016 Wohlfahrt D24/113
D758,567 S * 6/2016 Wohlfahrt D24/113
D758,568 S * 6/2016 Wohlfahrt D24/113
D758,569 S * 6/2016 Wohlfahrt D24/113
D758,570 S * 6/2016 Wohlfahrt D24/113
2012/0123350 A1 * 5/2012 Giambattista A61M 5/2033
604/198
2013/0211330 A1 * 8/2013 Pedersen A61M 5/2033
604/111
2014/0114247 A1 * 4/2014 Karlsson A61M 5/20
604/135
2014/0148763 A1 * 5/2014 Karlsson A61M 5/28
604/198
2015/0080811 A1 * 3/2015 Wieselblad A61M 5/3155
604/207

(Continued)

FOREIGN PATENT DOCUMENTS

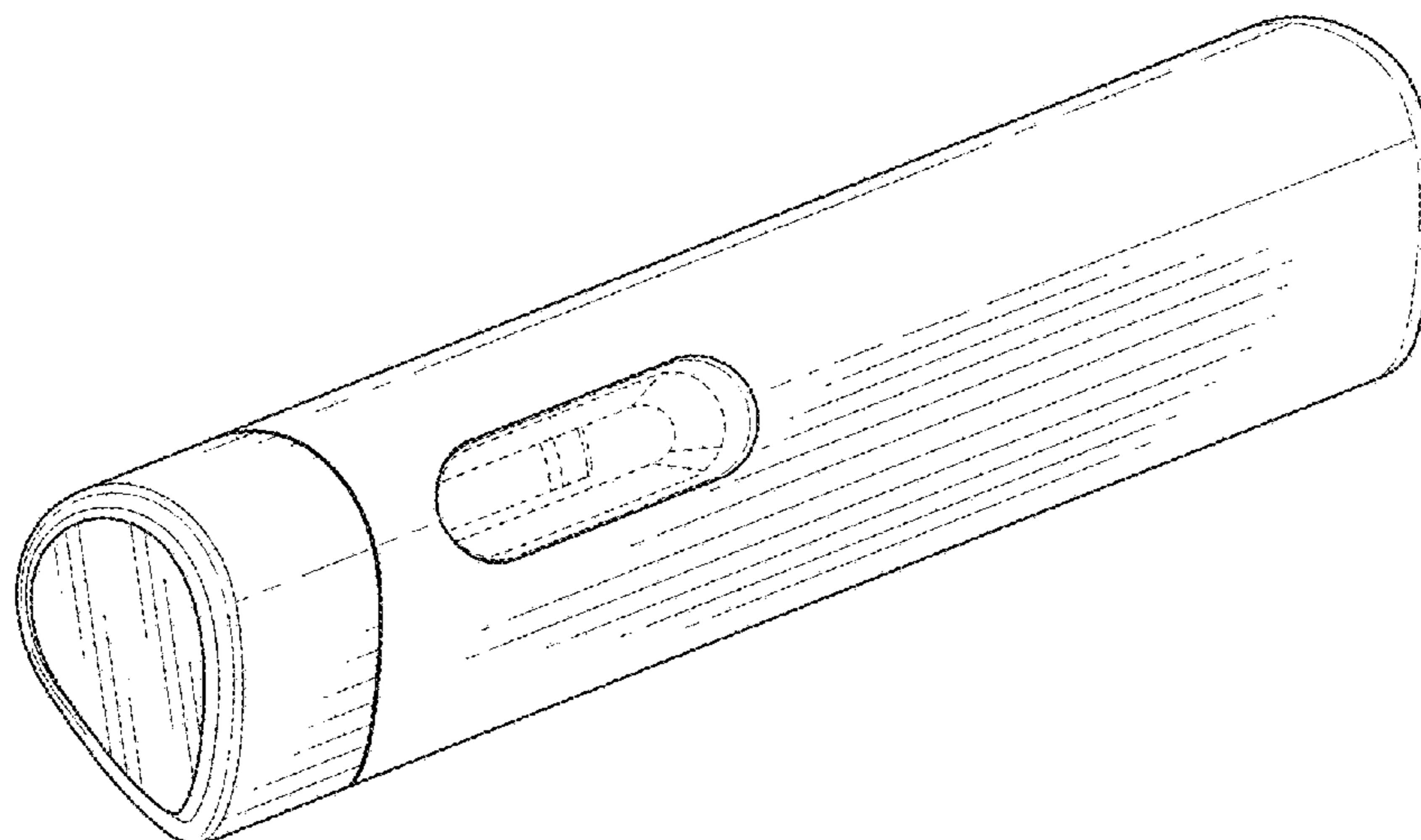
EM 002850040-0001 11/2015
Primary Examiner — Barbara Fox
Assistant Examiner — Lilyana Bekic
(74) *Attorney, Agent, or Firm* — McDonnell Boehnen Hulbert & Berghoff LLP

(57) **CLAIM**
The ornamental design for a training injector, as shown and described.

DESCRIPTION

FIG. 1 is a front and left side perspective view of a training injector showing my new design;
FIG. 2 is a front end view of the training injector;
FIG. 3 is a rear end view of the training injector;
FIG. 4 is a left side view of the training injector;
FIG. 5 is a right side view of the training injector;
FIG. 6 is a top view of the training injector; and,
FIG. 7 is a bottom view of the training injector.

1 Claim, 3 Drawing Sheets



(56)

References Cited

U.S. PATENT DOCUMENTS

2015/0209517 A1* 7/2015 Brunnberg A61M 5/2033
604/198
2015/0235571 A1* 8/2015 Alexandersson . A61M 5/31501
434/262
2016/0250417 A1* 9/2016 Olson A61M 5/2033
2017/0007769 A1* 1/2017 Chang A61M 5/3129

* cited by examiner

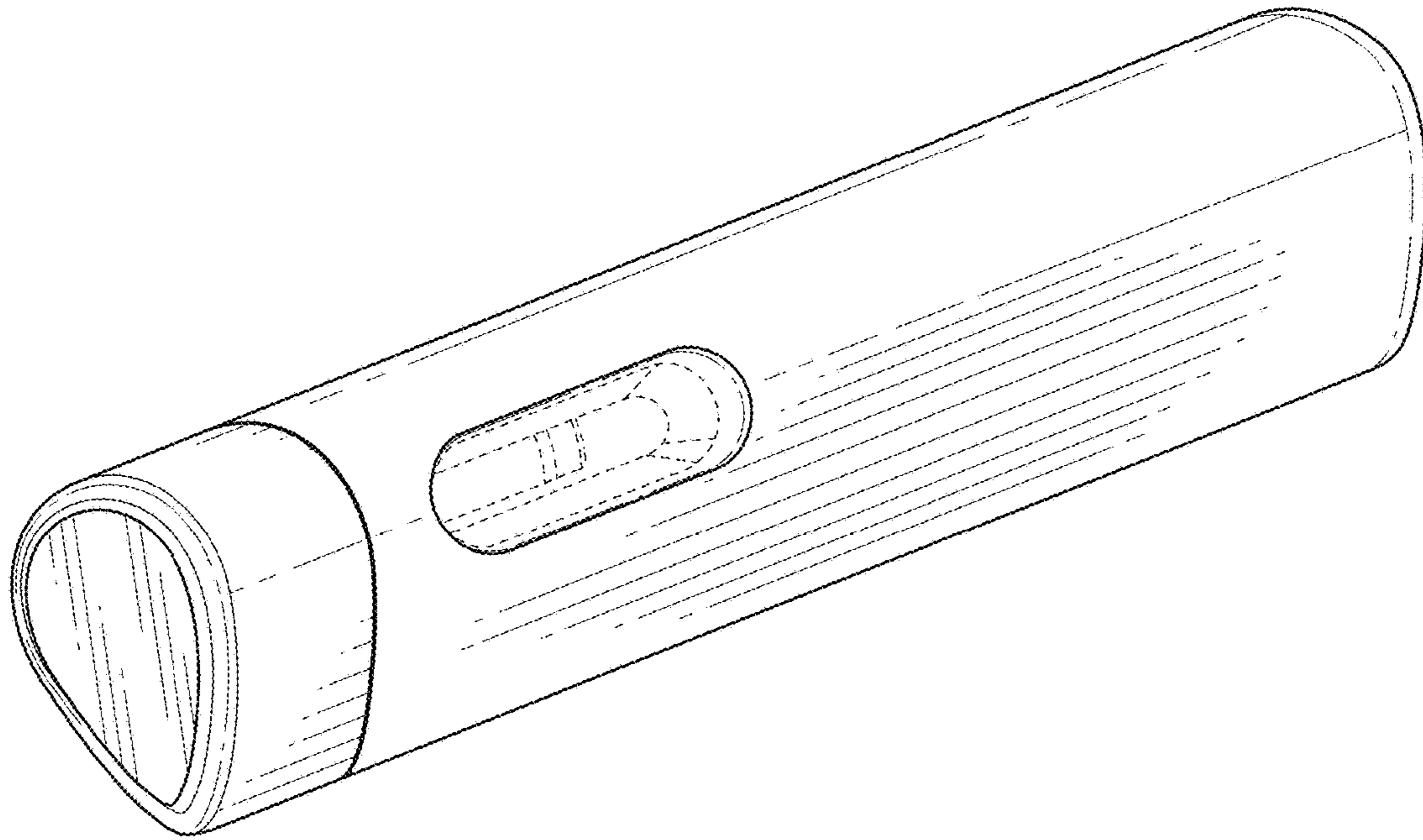


FIG. 1

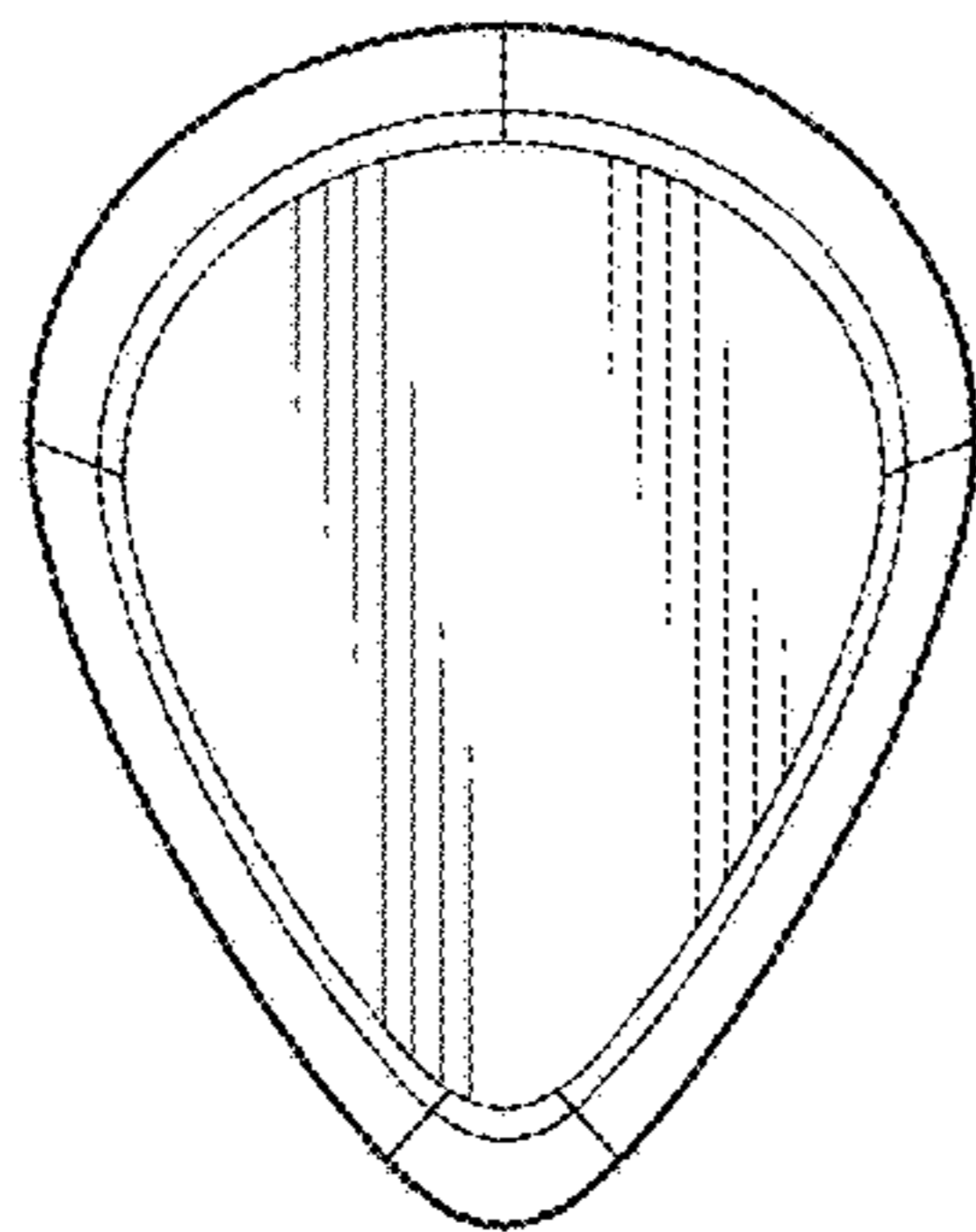


FIG. 2

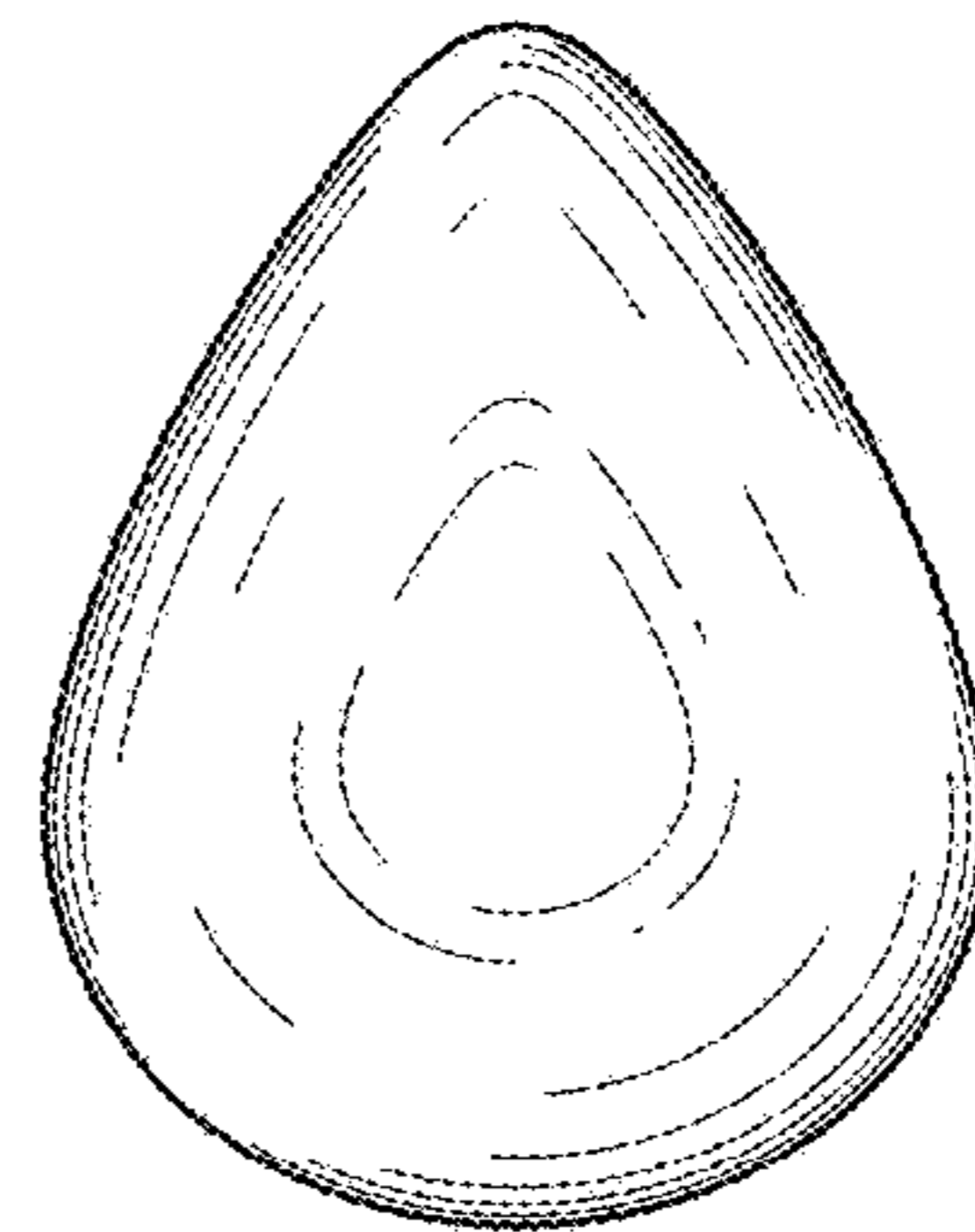


FIG. 3

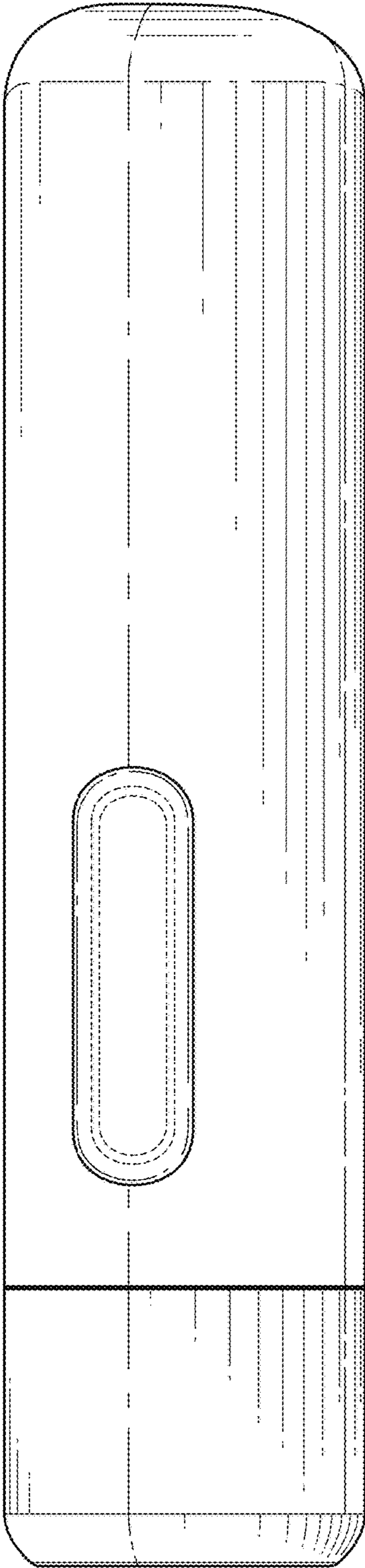


FIG. 4

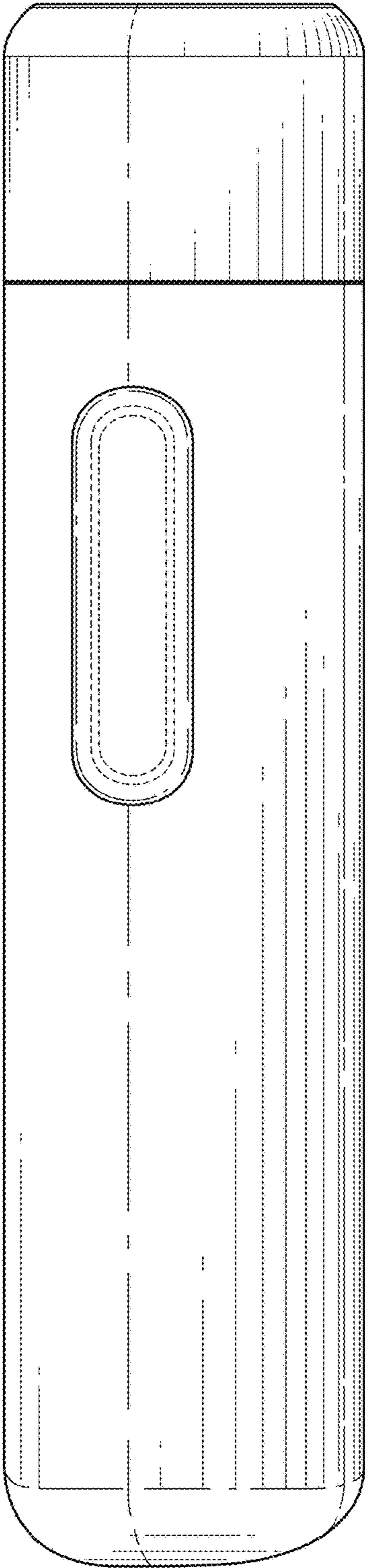


FIG. 5

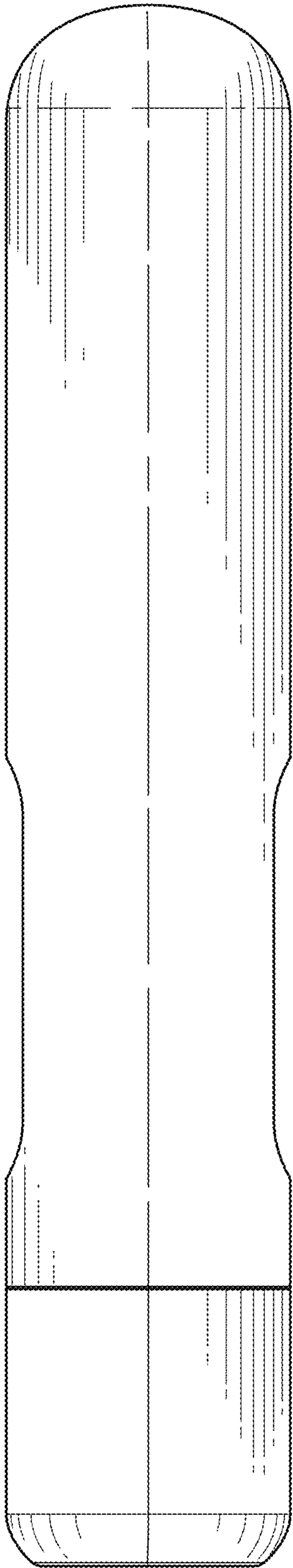


FIG. 6

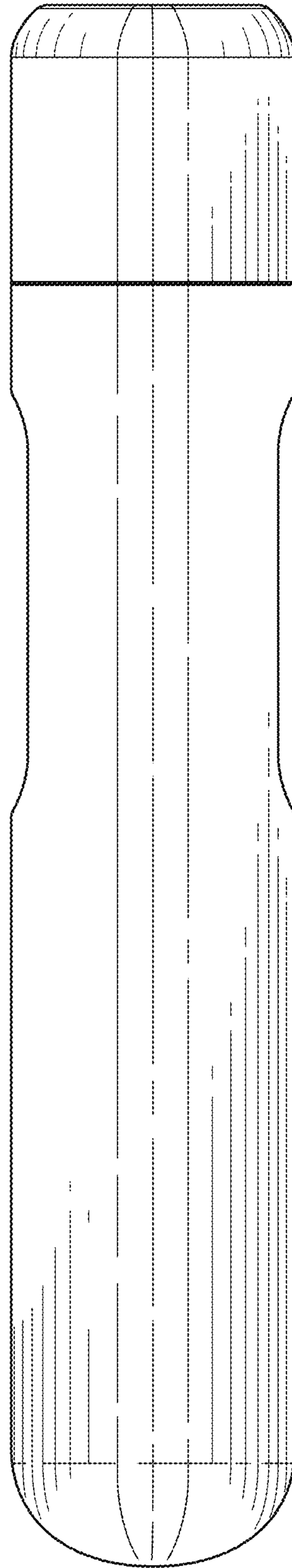


FIG. 7