



US00D796020S

(12) **United States Design Patent**  
**Lee**

(10) **Patent No.:** **US D796,020 S**

(45) **Date of Patent:** **\*\* Aug. 29, 2017**

(54) **AIR PURIFIER**

(71) Applicant: **Jin Hee Lee**, Seoul (KR)

(72) Inventor: **Jin Hee Lee**, Seoul (KR)

(\*\*) Term: **14 Years**

(21) Appl. No.: **29/526,213**

(22) Filed: **May 7, 2015**

(30) **Foreign Application Priority Data**

Dec. 3, 2014 (KR) ..... 30-2014-0058826

(51) **LOC (10) Cl.** ..... **23-04**

(52) **U.S. Cl.**  
USPC ..... **D23/364**

(58) **Field of Classification Search**  
USPC ..... D23/355, 356, 359, 364, 366, 370, 386  
CPC ..... B01D 46/00; B01D 46/0002; A61L 9/00  
See application file for complete search history.

(56) **References Cited**

**U.S. PATENT DOCUMENTS**

D322,669 S \* 12/1991 Yamamoto ..... D23/378  
D423,093 S \* 4/2000 Fok ..... D23/370

D486,217 S \* 2/2004 Shapiro ..... D23/378  
D488,551 S \* 4/2004 Shapiro ..... D23/378  
D499,473 S \* 12/2004 Ching ..... D23/332  
D519,201 S \* 4/2006 Lee ..... D23/378  
D521,629 S \* 5/2006 Shapiro ..... D23/378  
D597,188 S \* 7/2009 Chen ..... D23/364

\* cited by examiner

*Primary Examiner* — Kevin Rudzinski  
(74) *Attorney, Agent, or Firm* — Kile Park Reed & Houtteman PLLC

(57) **CLAIM**

I claim, the ornamental design for an air purifier, as shown and described.

**DESCRIPTION**

FIG. 1 is a top and front perspective view of an air purifier, showing my new design;  
FIG. 2 is a front view thereof;  
FIG. 3 is a rear view thereof;  
FIG. 4 is a left side view thereof;  
FIG. 5 is a right side view thereof;  
FIG. 6 is a top plan view thereof; and,  
FIG. 7 is a bottom plan view thereof.  
The broken lines in FIGS. 2 and 3 are shown for the purpose of illustrating parts of the air purifier and form no part of the claimed design.

**1 Claim, 7 Drawing Sheets**

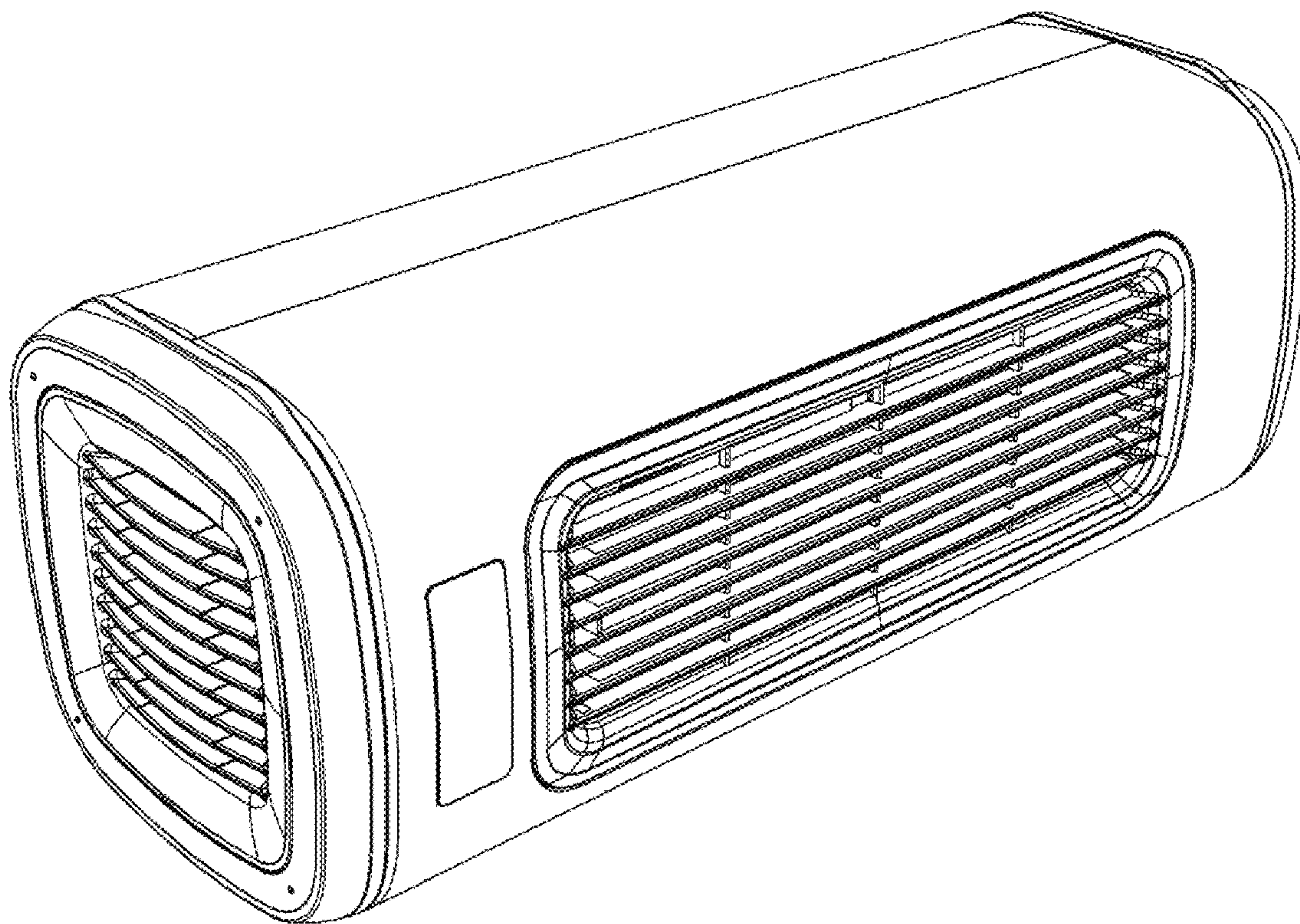


FIG. 1

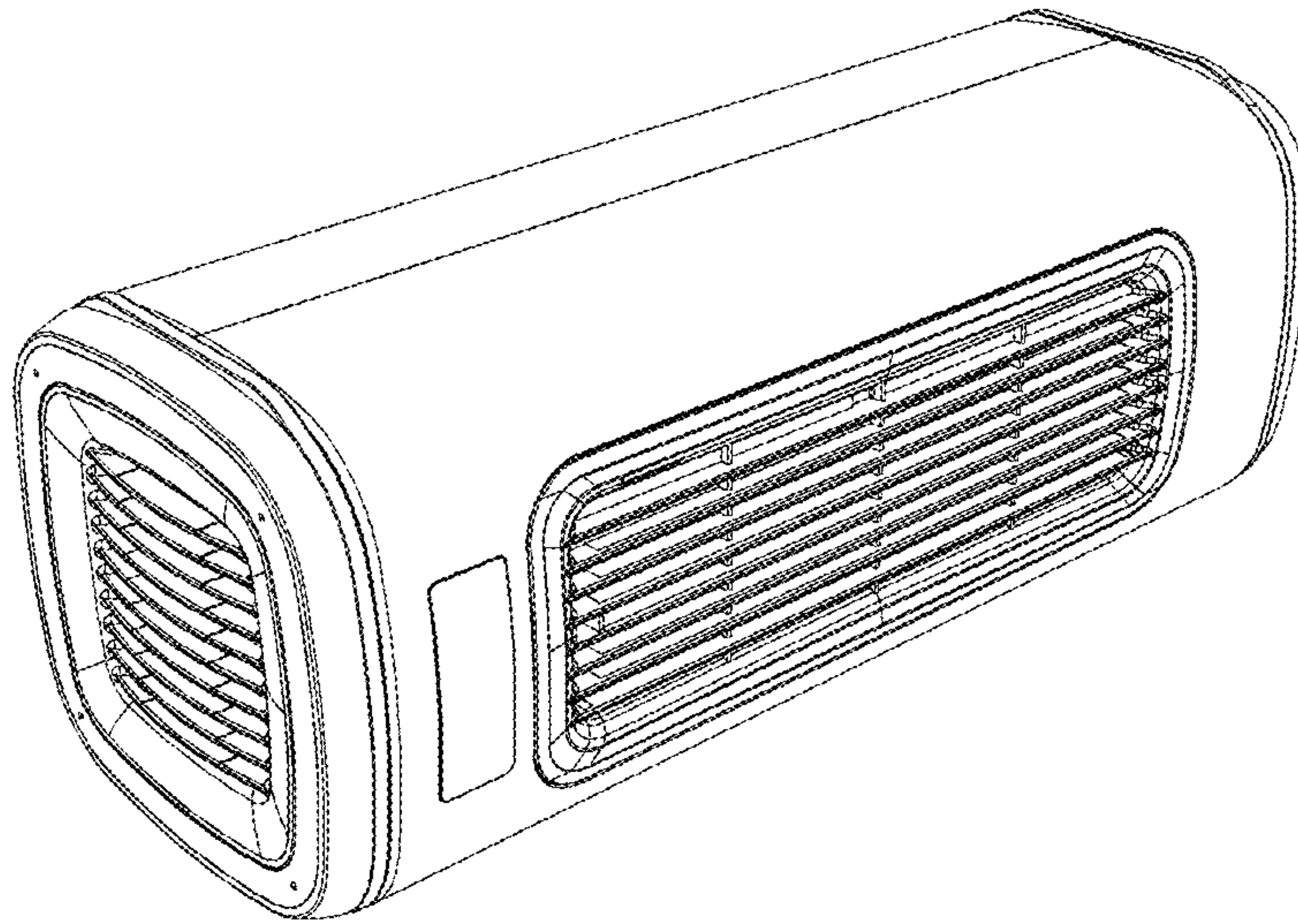


FIG. 2

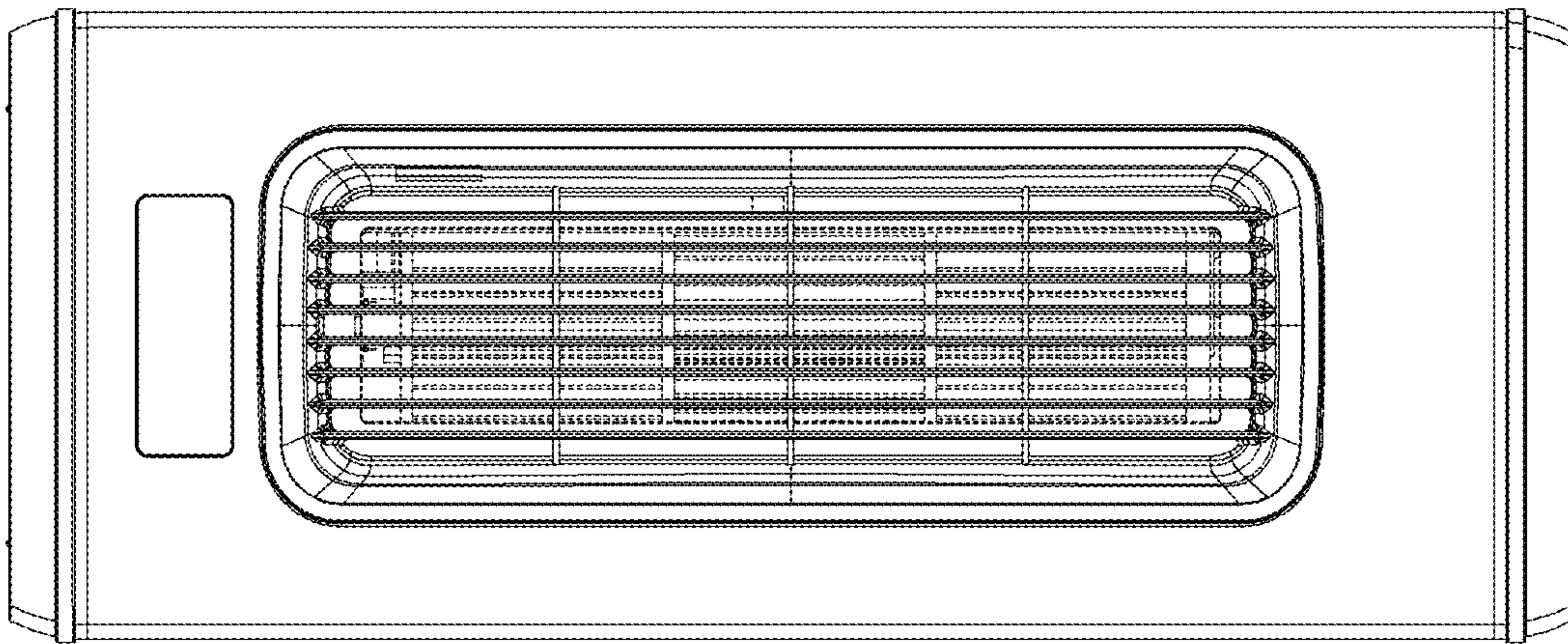




FIG. 3

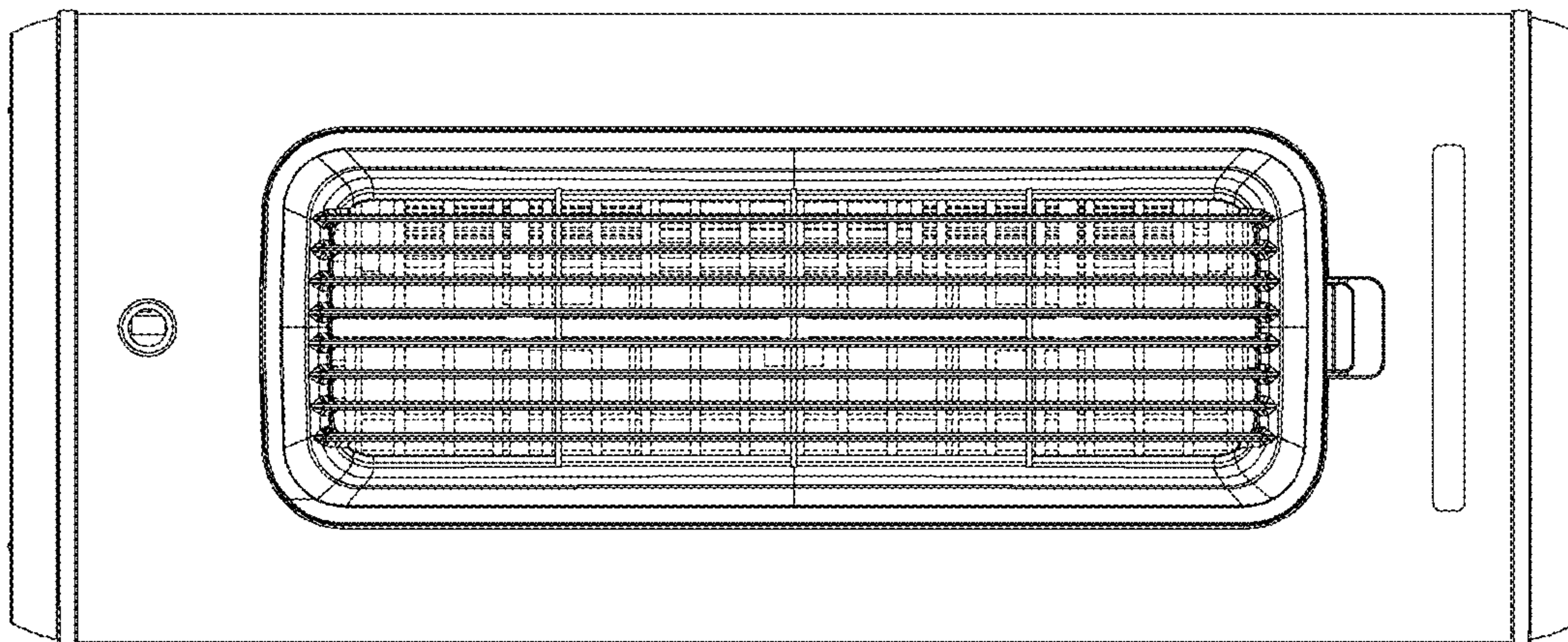


FIG. 4

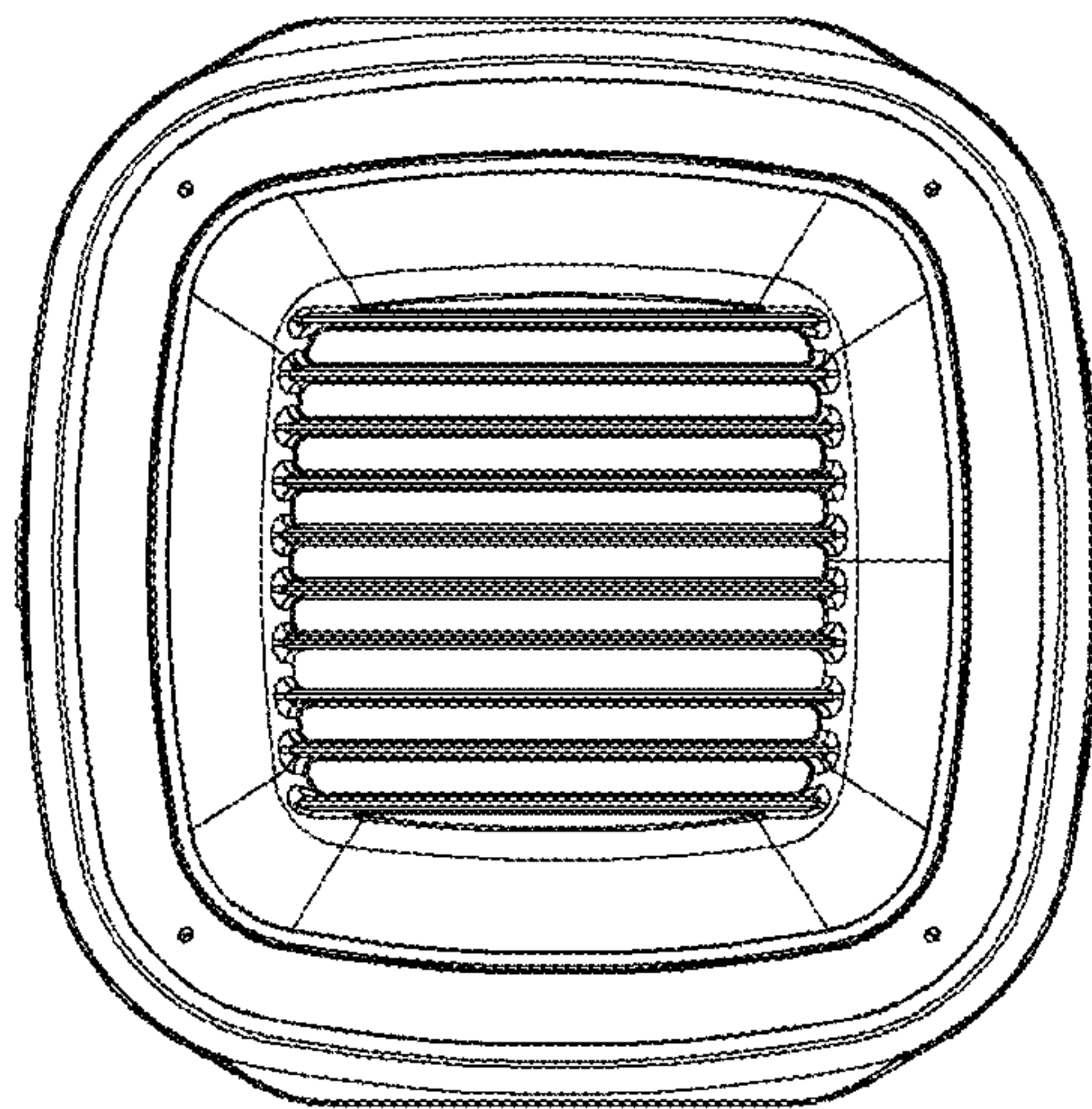


FIG. 5

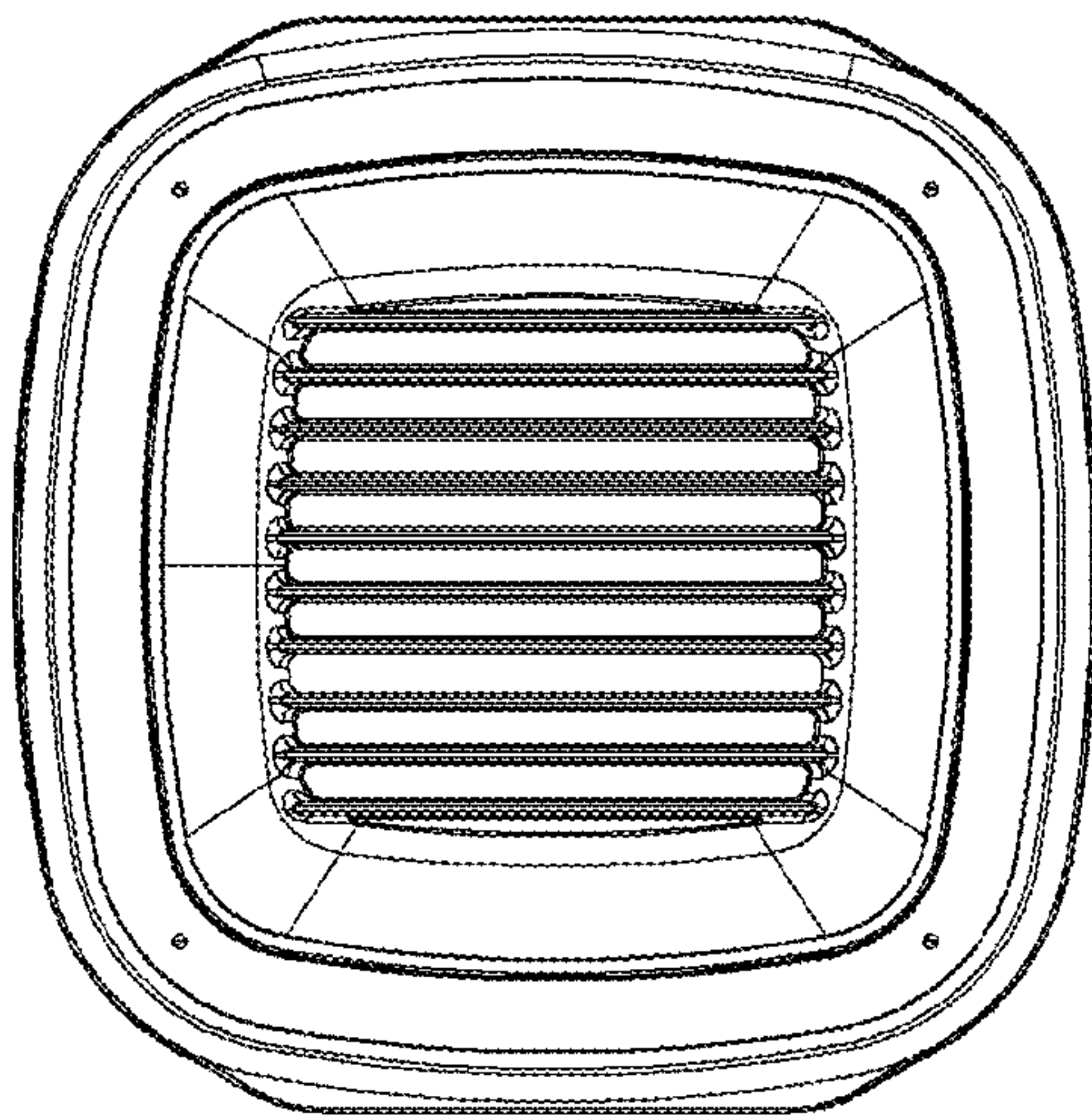


FIG. 6

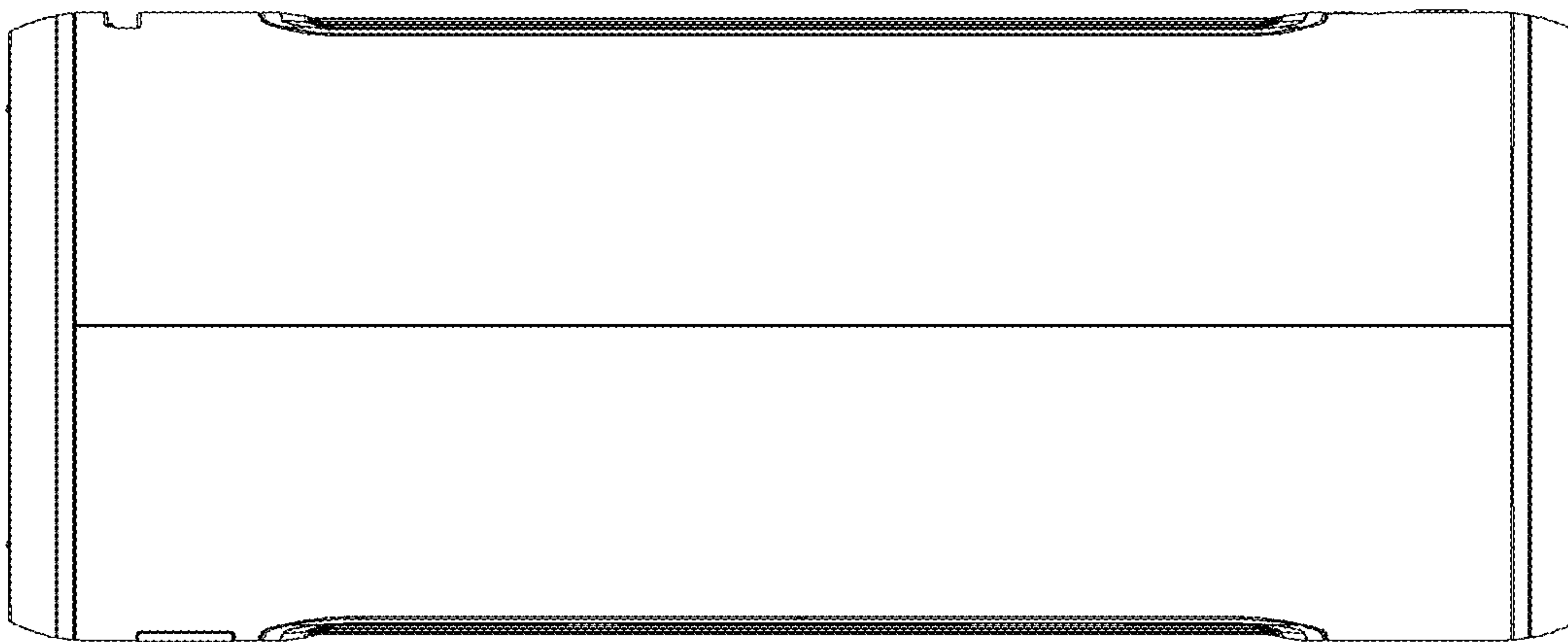


FIG. 7

