



US00D796016S

(12) **United States Design Patent**
Urquiola Hidalgo

(10) **Patent No.:** **US D796,016 S**

(45) **Date of Patent:** **** Aug. 29, 2017**

(54) **BATHTUB**

D595,392 S * 6/2009 Verlinden D23/278
D714,427 S * 9/2014 Oliveira D23/280.1

(71) Applicant: **Agape S.r.l.**, Bagnolo San Vito (IT)

* cited by examiner

(72) Inventor: **Maria Patricia Urquiola Hidalgo**,
Bagnolo San Vito (IT)

Primary Examiner — Robert Delehanty

(73) Assignee: **Agape S.r.l.**, Bagnolo San Vito (IT)

(74) *Attorney, Agent, or Firm* — Schwegman Lundberg &
Woessner, P.A.

(**) Term: **15 Years**

(57) **CLAIM**

(21) Appl. No.: **29/576,759**

The ornamental design for a bathtub, as shown and described.

(22) Filed: **Sep. 7, 2016**

(51) **LOC (10) Cl.** **23-02**

(52) **U.S. Cl.**

USPC **D23/293.1**

(58) **Field of Classification Search**

USPC D23/277, 280.1, 275, 273, 303-306

CPC A47K 3/02; A47K 3/001

See application file for complete search history.

DESCRIPTION

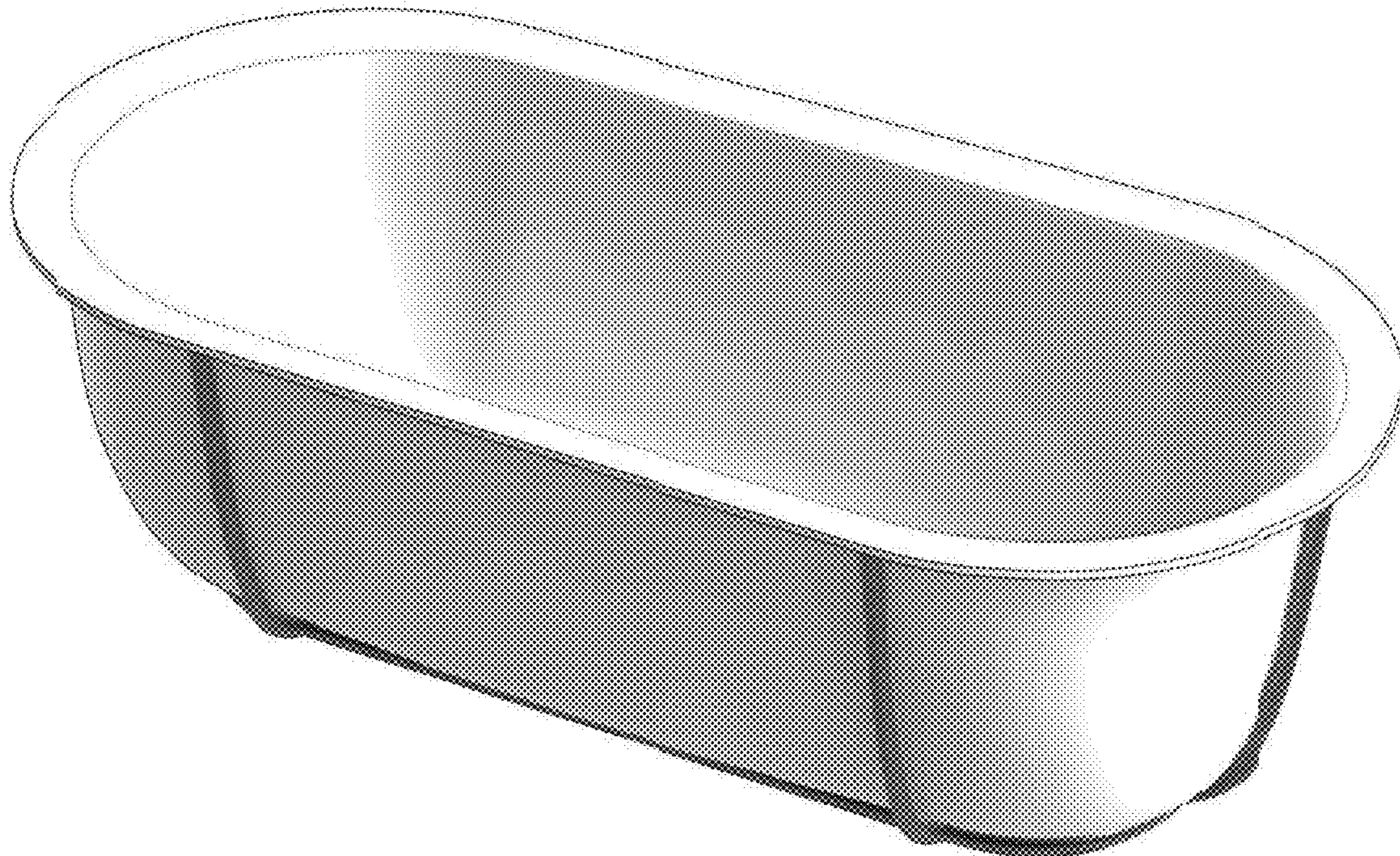
FIG. 1 is a perspective view of the first embodiment of a bathtub incorporating my new design; FIG. 2 is a top plan view thereof; FIG. 3 is a bottom view thereof; FIG. 4 is a front view thereof, the rear view thereof being identical to the front view; and, FIG. 5 is a lateral view thereof, the opposite lateral views being identical to one another. Those portions of the article not shown form no part of the claimed design.

(56) **References Cited**

U.S. PATENT DOCUMENTS

D566,247 S * 4/2008 Cunningham D23/280.1
7,490,369 B2 * 2/2009 Cunningham A47K 3/02
4/538

1 Claim, 5 Drawing Sheets



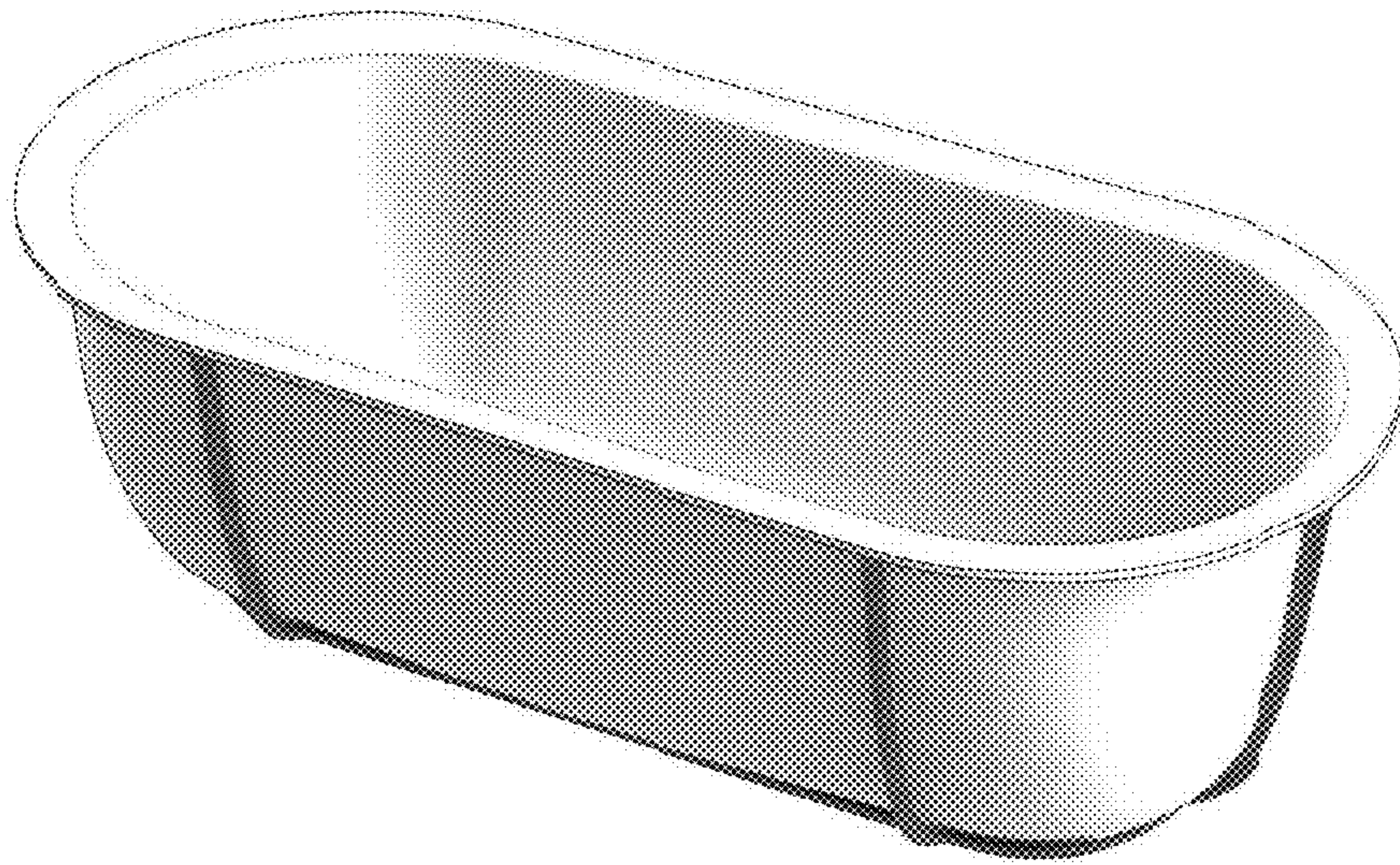


FIG. 1

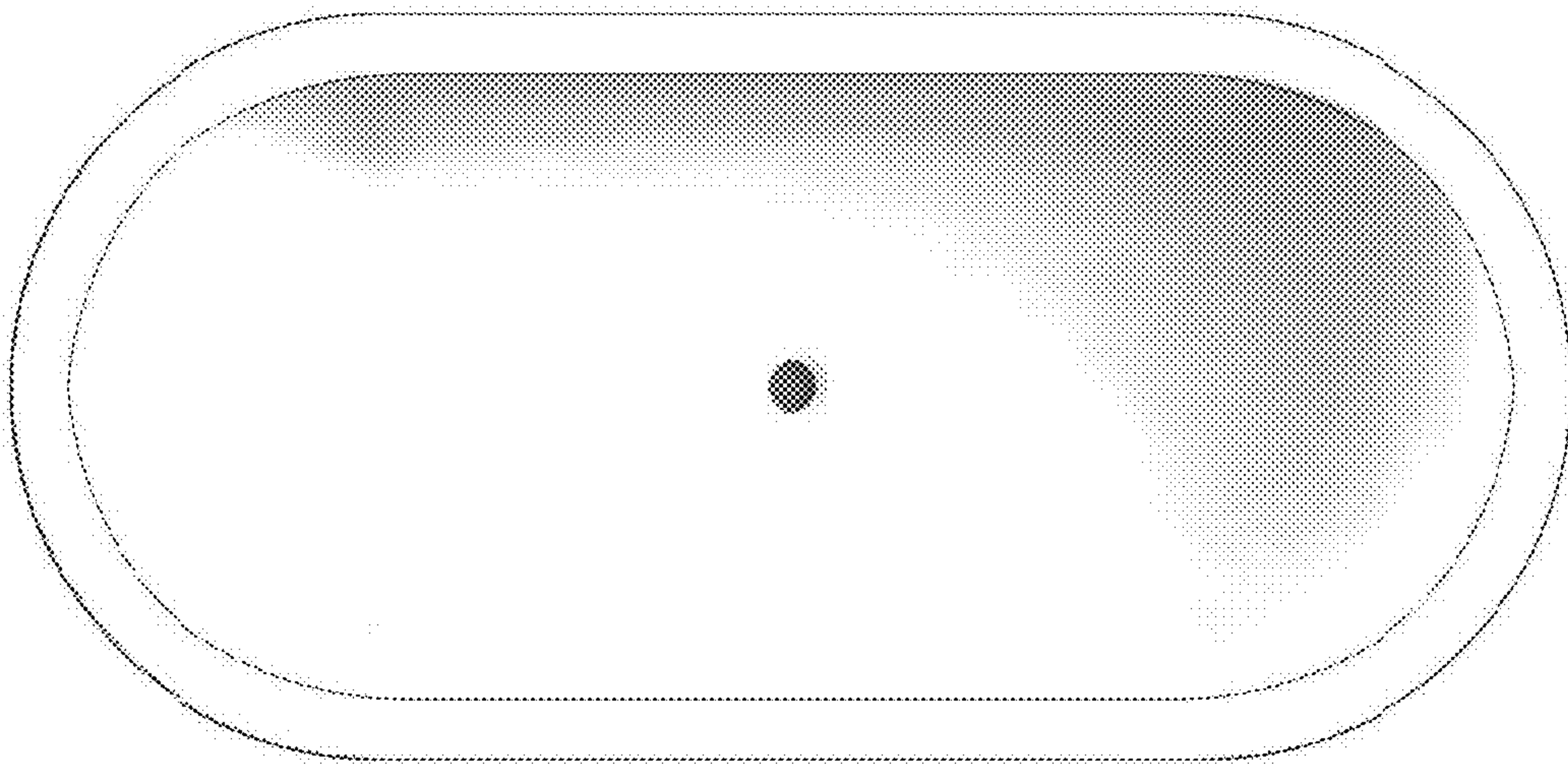


FIG. 2

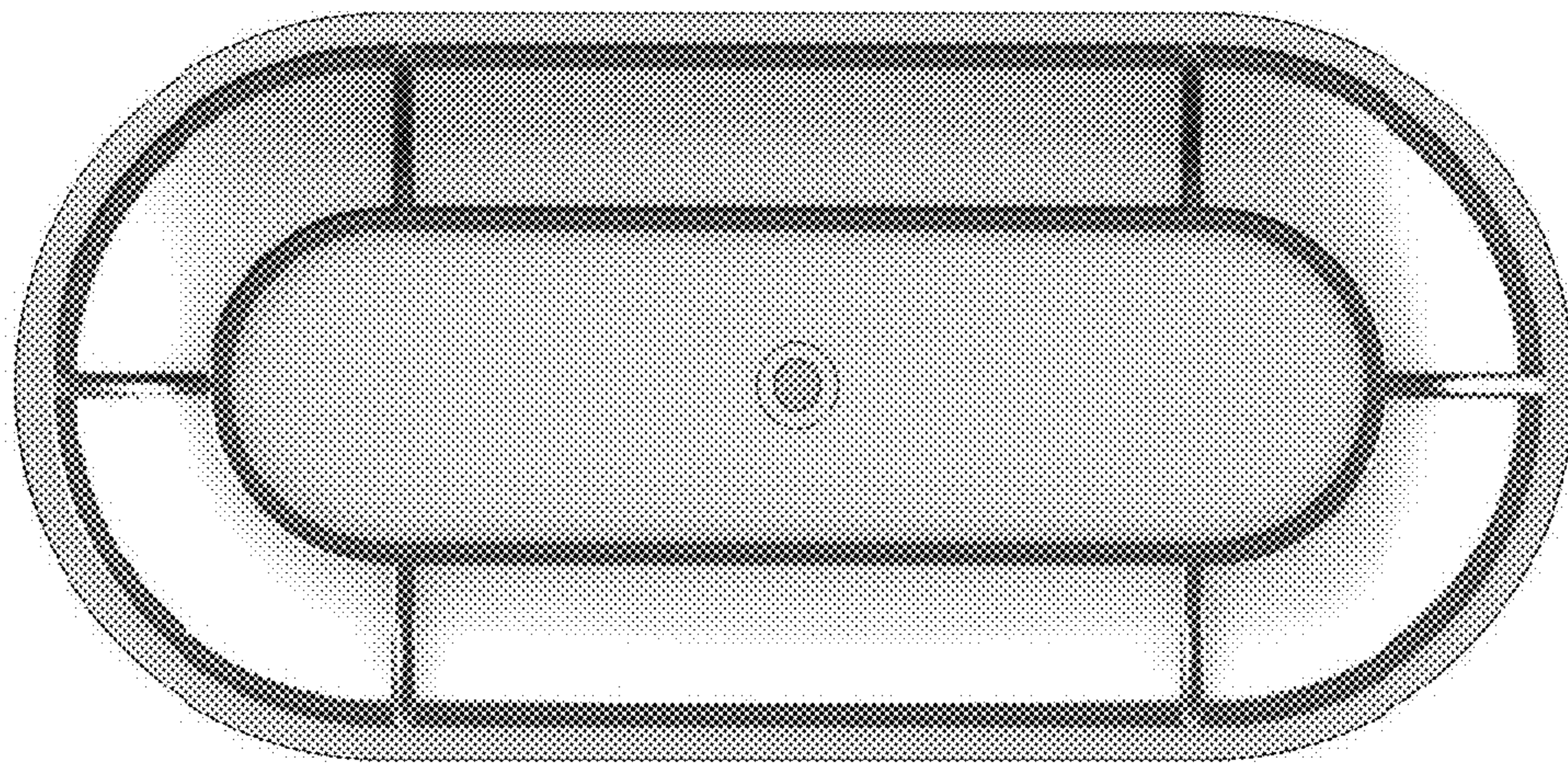


FIG. 3

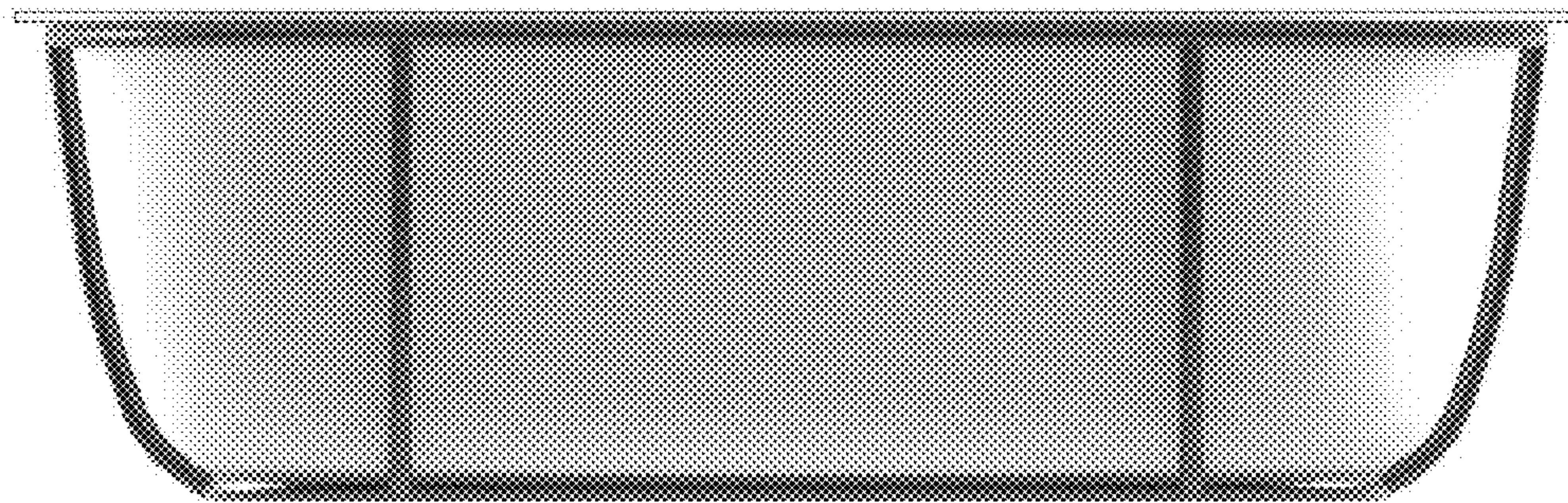


FIG. 4

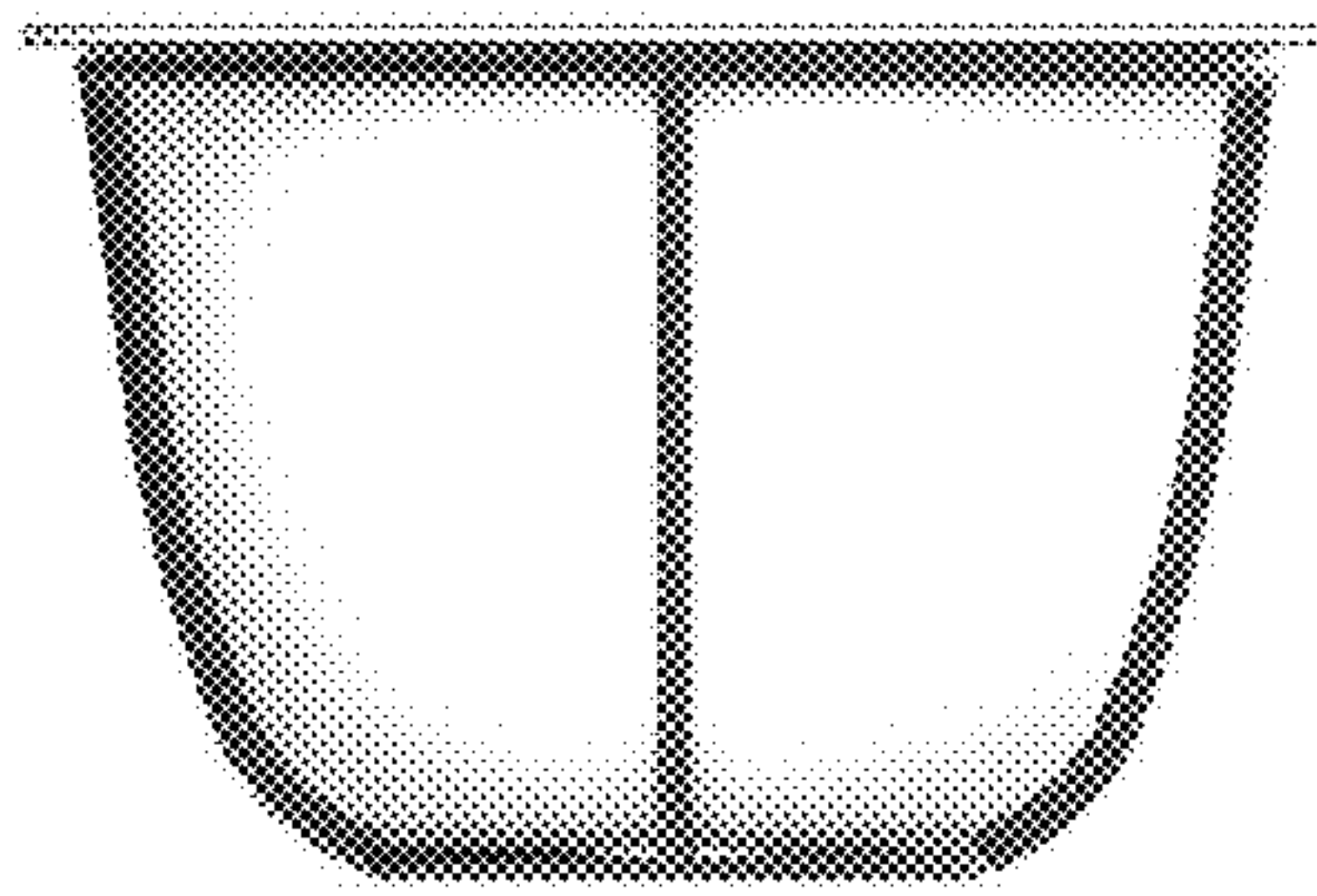


FIG. 5

UNITED STATES PATENT AND TRADEMARK OFFICE
CERTIFICATE OF CORRECTION

PATENT NO. : D796,016 S
APPLICATION NO. : 29/576759
DATED : August 29, 2017
INVENTOR(S) : Maria Patricia Urquiola Hidalgo

Page 1 of 1

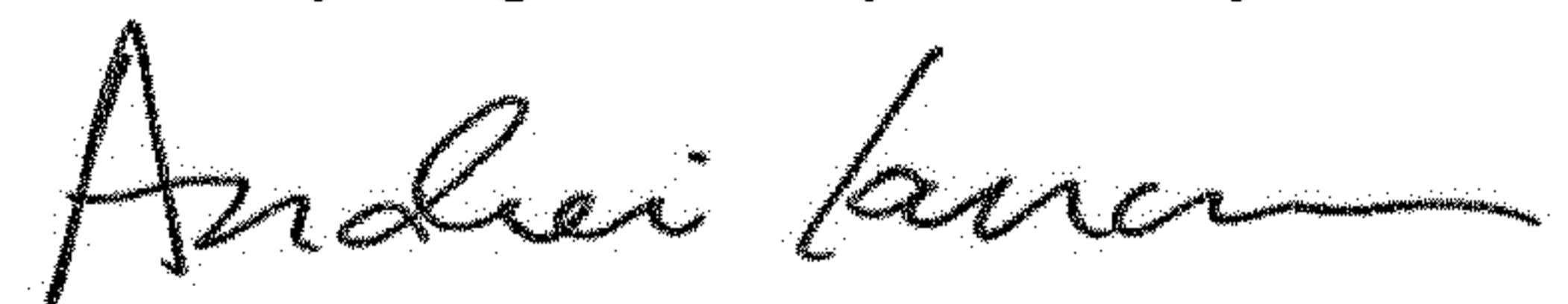
It is certified that error appears in the above-identified patent and that said Letters Patent is hereby corrected as shown below:

On the Title Page

In item (22), in "Filed", in Column 1, Line 1, after "Sep. 7, 2016", insert:

--¶(30) Foreign Application Priority Data
Mar. 7, 2016 (EM) 003018555--

Signed and Sealed this
Twenty-eighth Day of May, 2019



Andrei Iancu
Director of the United States Patent and Trademark Office