



US00D796015S

(12) **United States Design Patent** (10) **Patent No.:** **US D796,015 S**  
**Schoenherr et al.** (45) **Date of Patent:** **\*\* Aug. 29, 2017**

(54) **WASH BASIN**

(71) Applicant: **HANSGROHE SE**, Schiltach (DE)

(72) Inventors: **Tom Schoenherr**, Stuttgart (DE);  
**Andreas Diefenbach**,  
Ludwigsburg-Oßweil (DE); **Yunwei**  
**Zhu**, Stuttgart (DE)

(73) Assignee: **Hansgrohe SE**, Schiltach (DE)

(\*\*) Term: **15 Years**

(21) Appl. No.: **29/559,976**

(22) Filed: **Apr. 1, 2016**

(30) **Foreign Application Priority Data**

Oct. 6, 2015 (EM) ..... 002811992

(51) **LOC (10) Cl.** ..... **23-02**

(52) **U.S. Cl.**  
USPC ..... **D23/290**

(58) **Field of Classification Search**  
USPC ..... D23/284, 293.1, 287-292, 303, 308;  
D9/425  
CPC ..... A47K 1/04; A47B 77/06; A47J 47/20  
See application file for complete search history.

(56) **References Cited**

U.S. PATENT DOCUMENTS

D527,808 S *	9/2006	Wozniczka .....	D23/290
D547,837 S *	7/2007	Ziemann .....	D23/290
D587,352 S *	2/2009	Ziemann .....	D23/290
D670,364 S *	11/2012	Miller .....	D23/290
D708,307 S *	7/2014	Kurth .....	D23/290
2009/0094741 A1 *	4/2009	Valadez .....	E03C 1/186 4/658
2015/0230667 A1 *	8/2015	Palazzolo .....	E03C 1/186 4/654

\* cited by examiner

*Primary Examiner* — Robert M Spear

*Assistant Examiner* — John Voytek

(74) *Attorney, Agent, or Firm* — Lora J. Graentzdoerffer

(57) **CLAIM**

The ornamental design for a wash basin, as shown and described.

**DESCRIPTION**

FIG. 1 is a perspective view of a wash basin showing our design; and,

FIG. 2 is a top plan view.

The broken-line disclosure in the view represents a portion of the article which forms no part of the claimed design.

**1 Claim, 2 Drawing Sheets**

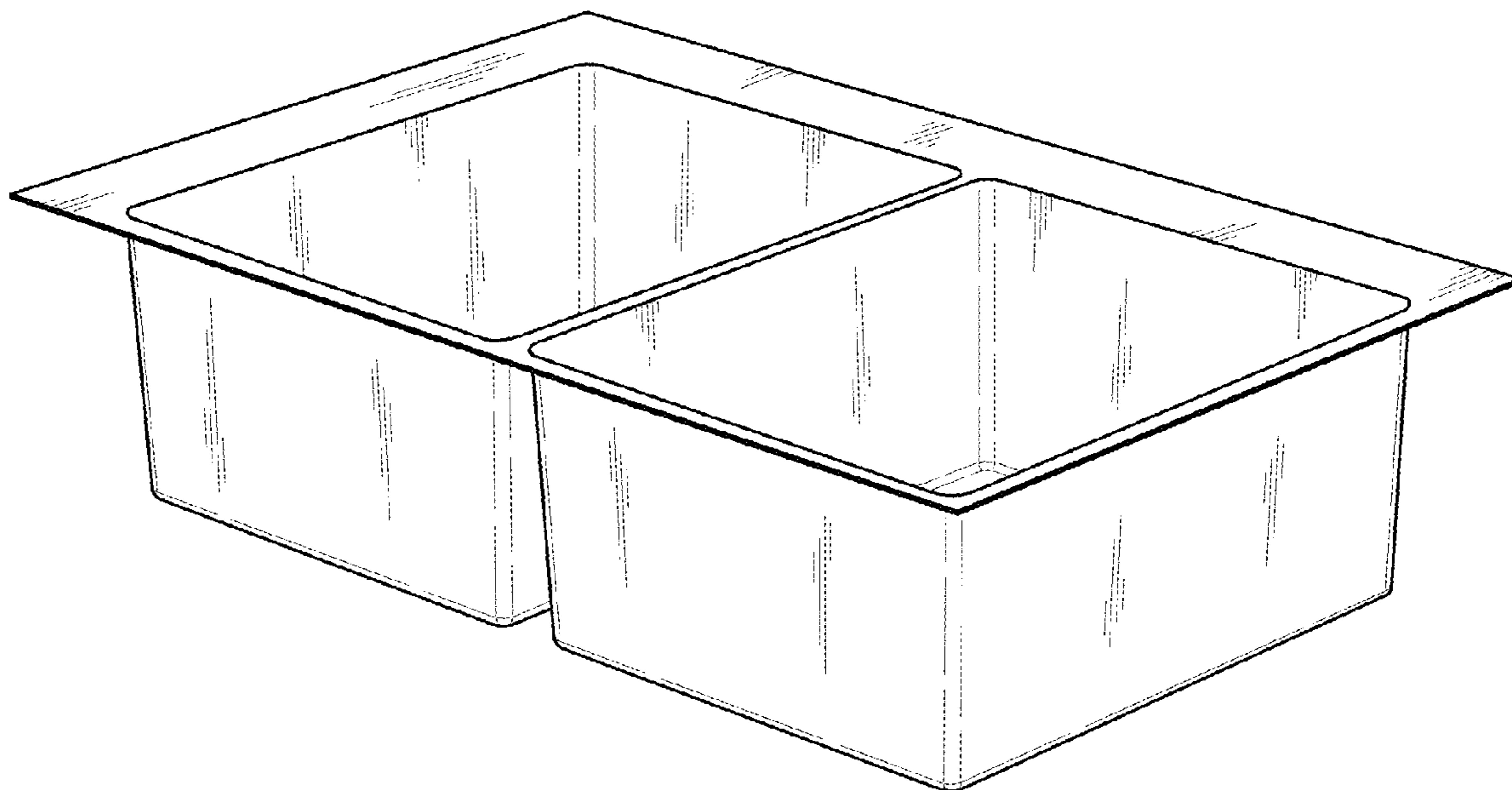


FIG. 1

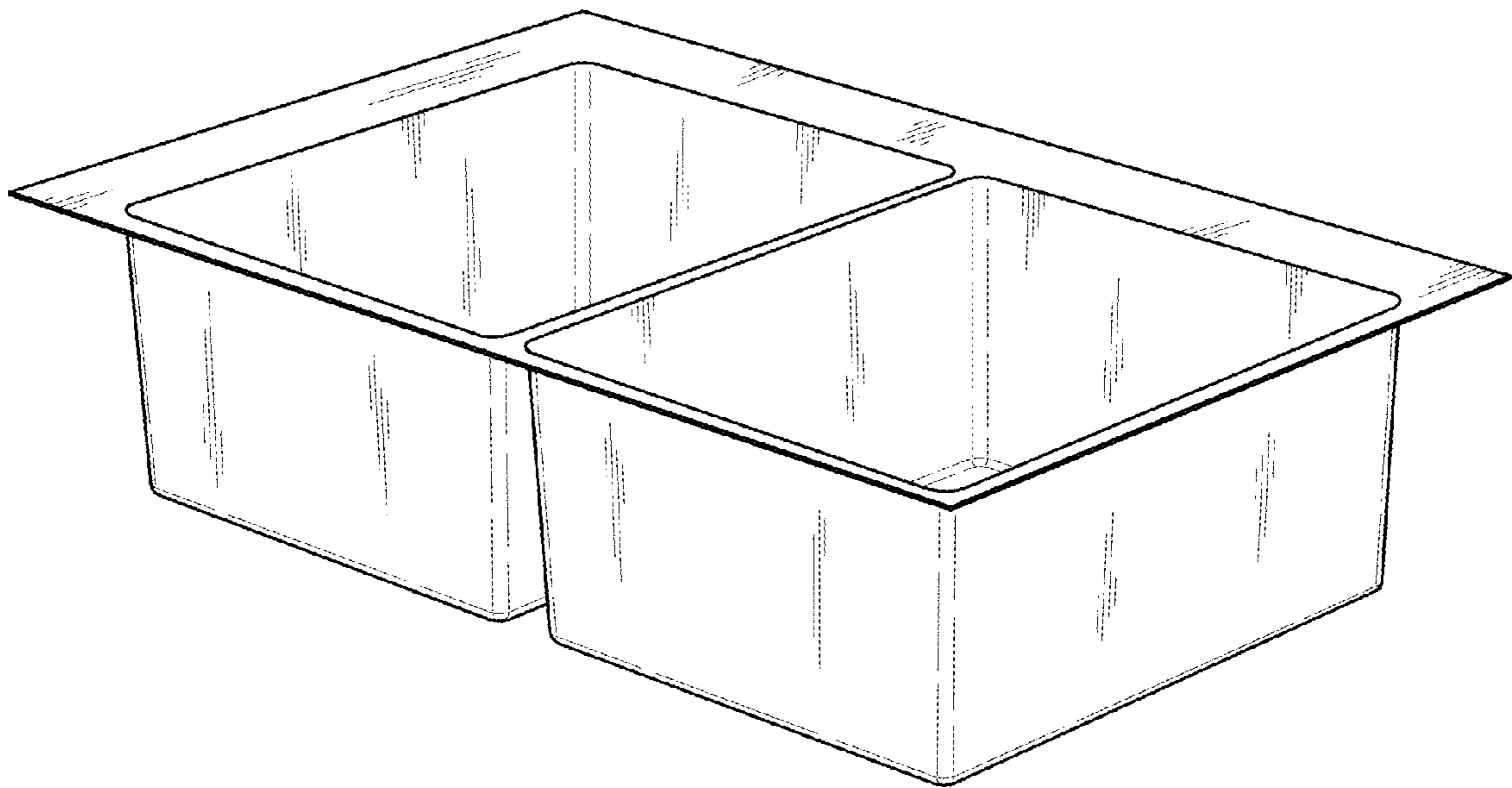


FIG. 2

